



US00D986941S

(12) **United States Design Patent** (10) **Patent No.:** **US D986,941 S**  
**Cursley** (45) **Date of Patent:** **\*\* May 23, 2023**

(54) **CAMERA BASE WITH TRIPOD ADAPTER**  
(71) Applicant: **Jinx Innovations, LLC**, Boulder, CO (US)  
(72) Inventor: **Jim Cursley**, Boulder, CO (US)  
(73) Assignee: **JINX INNOVATIONS, LLC**, Boulder, CO (US)

(\*\*) Term: **15 Years**  
(21) Appl. No.: **29/740,180**

(22) Filed: **Jul. 1, 2020**  
(51) **LOC (14) Cl.** ..... **16-05**  
(52) **U.S. Cl.**  
USPC ..... **D16/219; D16/237**  
(58) **Field of Classification Search**  
USPC ..... D16/200–204, 208, 218, 219, 237–240,  
D16/242–243, 250; D13/103;  
D8/382–383, 394–396; 348/143, 148,  
348/151, 360, 373–376; 396/419,  
396/427–429, 433, 529, 535, 537–541  
CPC ..... G03B 15/03; G03B 17/02; G03B 17/04;  
G03B 17/48; G03B 17/56; G03B 17/561;  
G03B 17/568; G03B 19/04; G08G  
1/0175; H04N 5/2251; H04N 5/2252;  
H04N 5/2253; H04N 5/2254; F16M  
11/04–11/12  
See application file for complete search history.

(56) **References Cited**  
U.S. PATENT DOCUMENTS  
D270,916 S \* 10/1983 Cheplo ..... D16/243  
D376,380 S \* 12/1996 Yang ..... D16/242  
D427,223 S \* 6/2000 Shimamura ..... D16/242  
D481,007 S \* 10/2003 Takahashi ..... D13/103  
D503,185 S \* 3/2005 Haga ..... D16/242

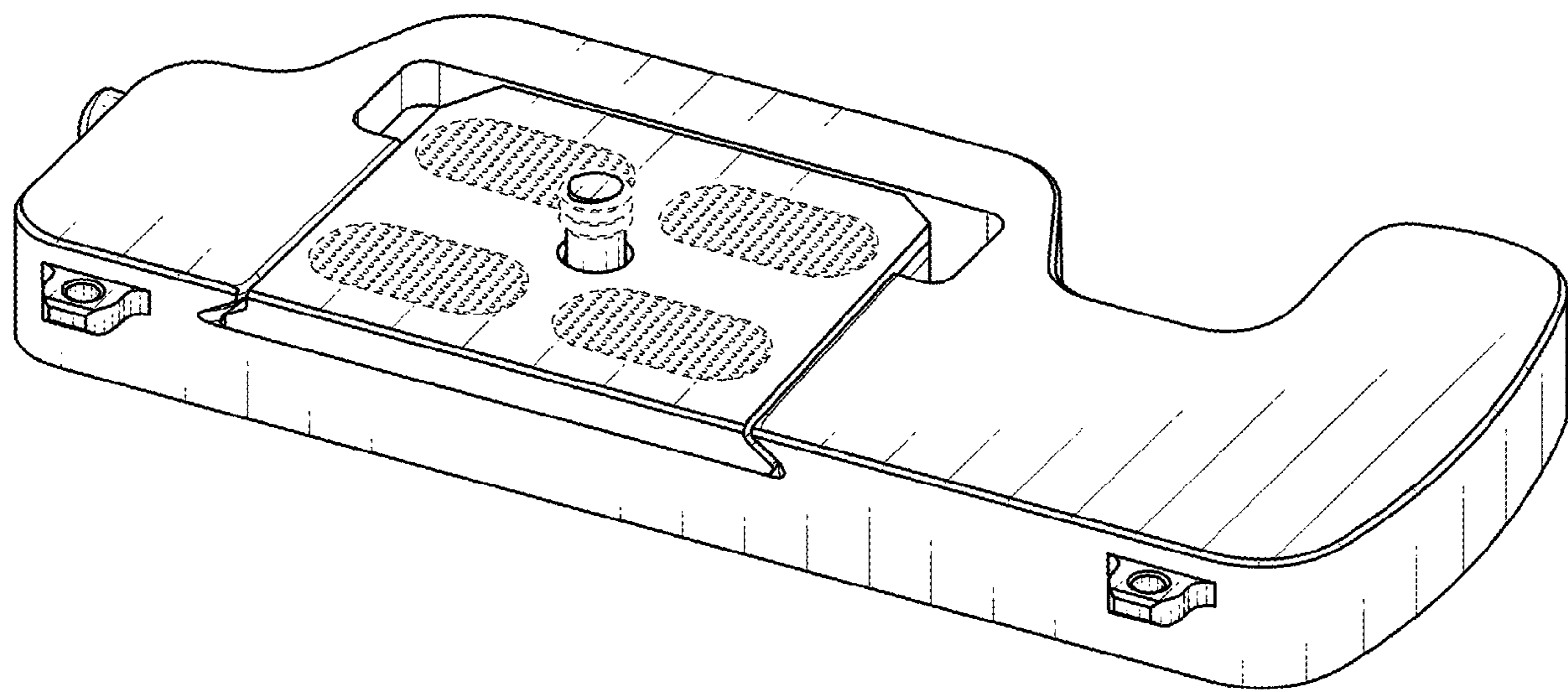
D677,309 S \* 3/2013 Asano ..... D16/243  
D686,272 S \* 7/2013 Umehara ..... D16/243  
D710,426 S \* 8/2014 Sato ..... D16/243  
9,066,421 B1 \* 6/2015 Martin ..... H05K 5/0217  
D745,080 S \* 12/2015 Masano ..... D16/237  
9,329,459 B2 5/2016 Overall  
D845,377 S \* 4/2019 Masano ..... D16/242  
D908,776 S \* 1/2021 Imai ..... D16/219  
2005/0281554 A1 \* 12/2005 Iwasa ..... G03B 17/56  
396/539  
2015/0261075 A1 9/2015 Overall  
2015/0323855 A1 11/2015 Overall  
2017/0363852 A1 12/2017 Overall  
2019/0271903 A1 9/2019 Wilson  
2019/0368653 A1 12/2019 Olinger  
2020/0076936 A1 3/2020 Wilson et al.

\* cited by examiner  
*Primary Examiner* — Ramzi Almatrahi  
(74) *Attorney, Agent, or Firm* — Berg Hill Greenleaf Ruscitti LLP

(57) **CLAIM**  
The ornamental design for a camera base with tripod adapter, as shown and described.

**DESCRIPTION**  
FIG. 1 a top perspective view of a camera base with tripod adapter;  
FIG. 2 is a front elevation view thereof;  
FIG. 3 is a rear elevation view thereof;  
FIG. 4 is a left-side elevation view thereof;  
FIG. 5 is a right-side elevation view thereof;  
FIG. 6 is a top plan view thereof; and,  
FIG. 7 is a bottom plan view thereof.  
The broken lines depict portions of the camera base with tripod adapter in which the design is embodied that form no part of the claimed design.

**1 Claim, 3 Drawing Sheets**



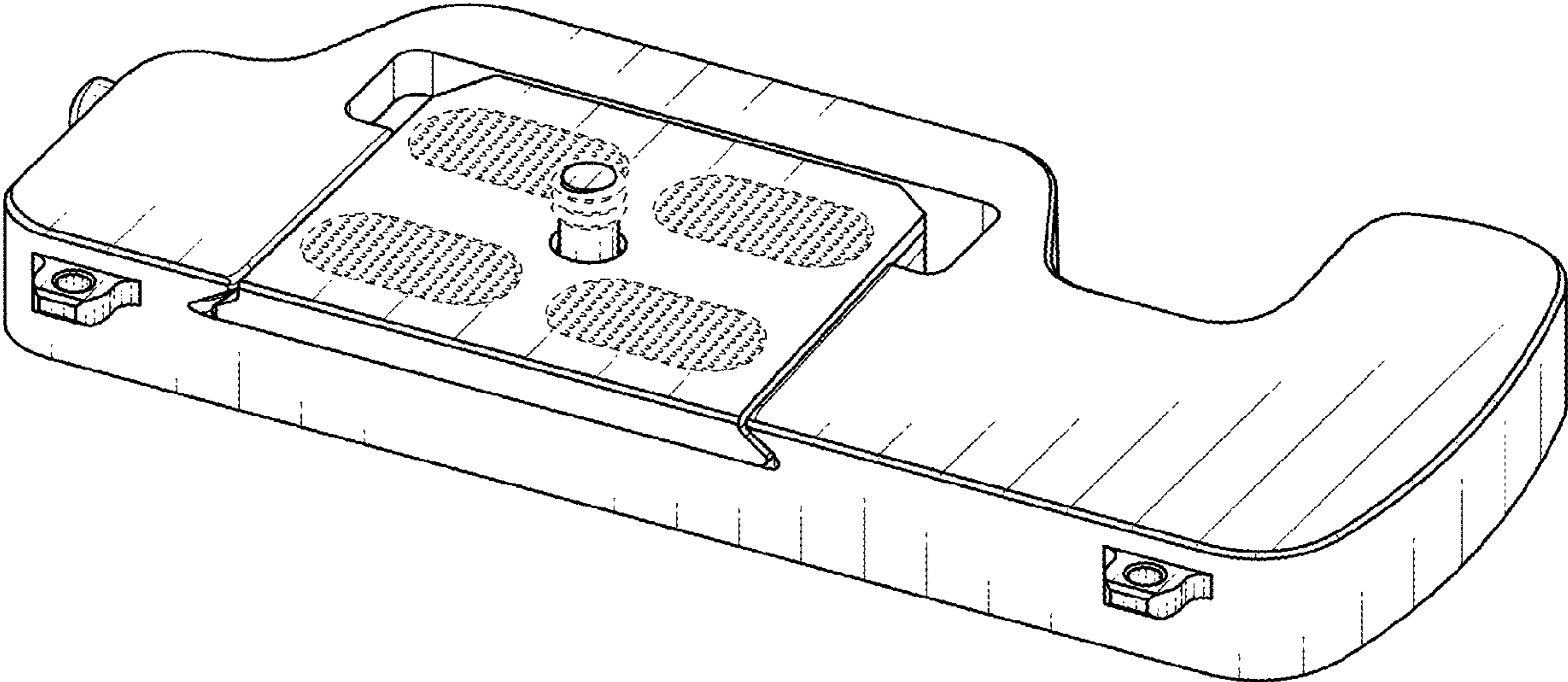


FIG. 1

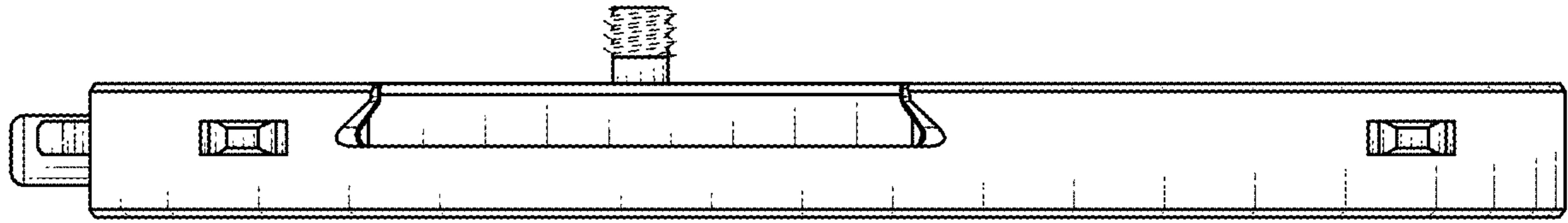


FIG. 2

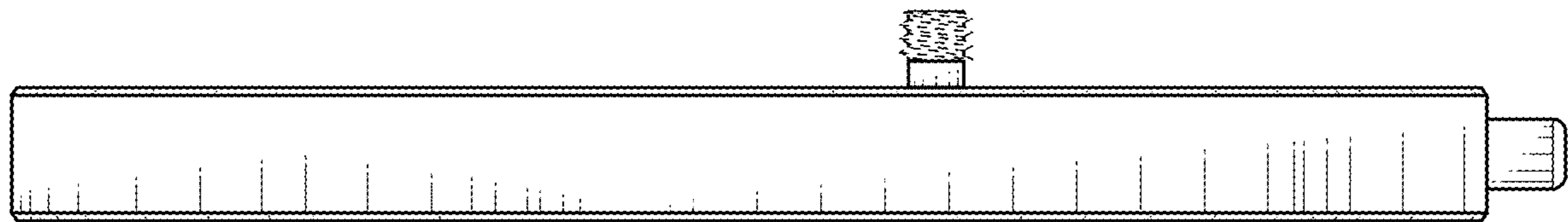


FIG. 3

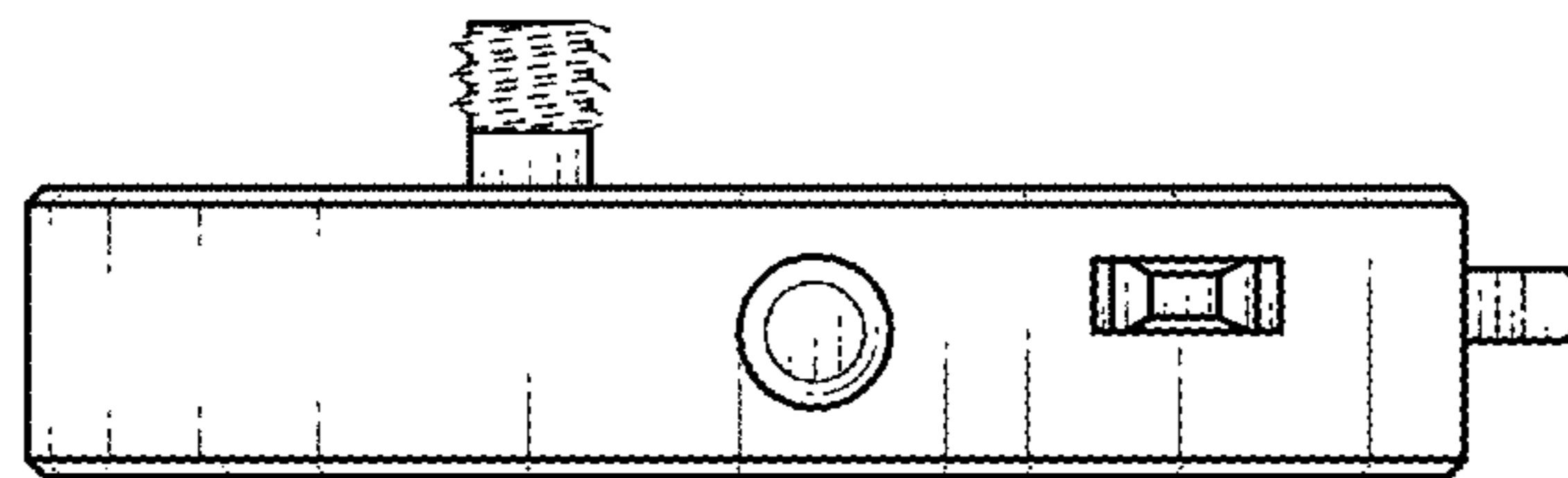


FIG. 4

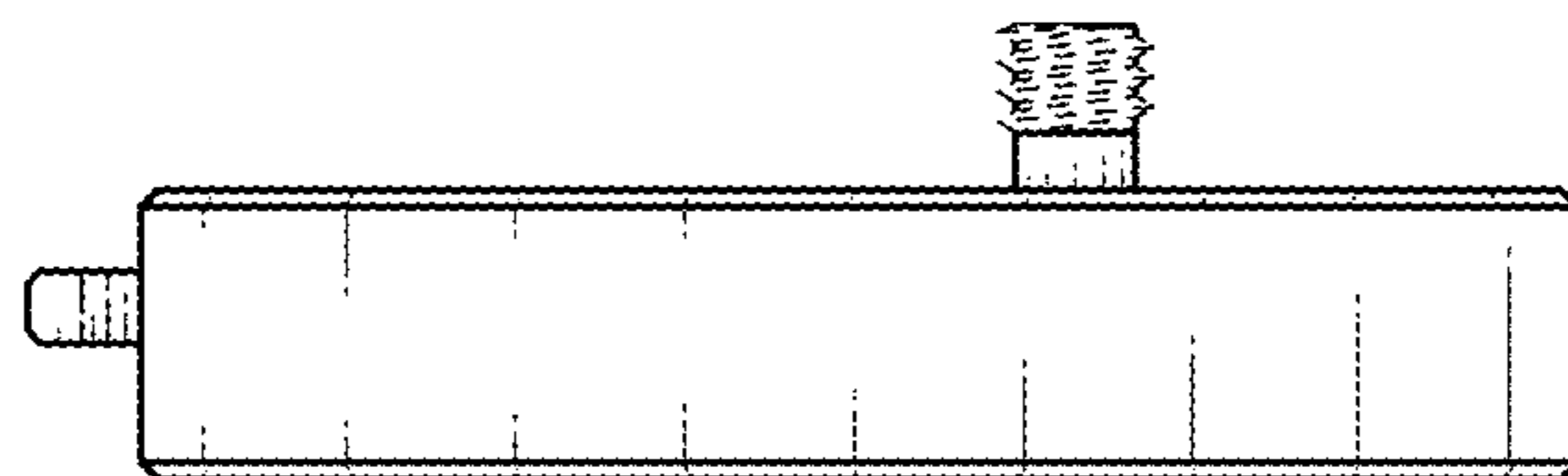


FIG. 5

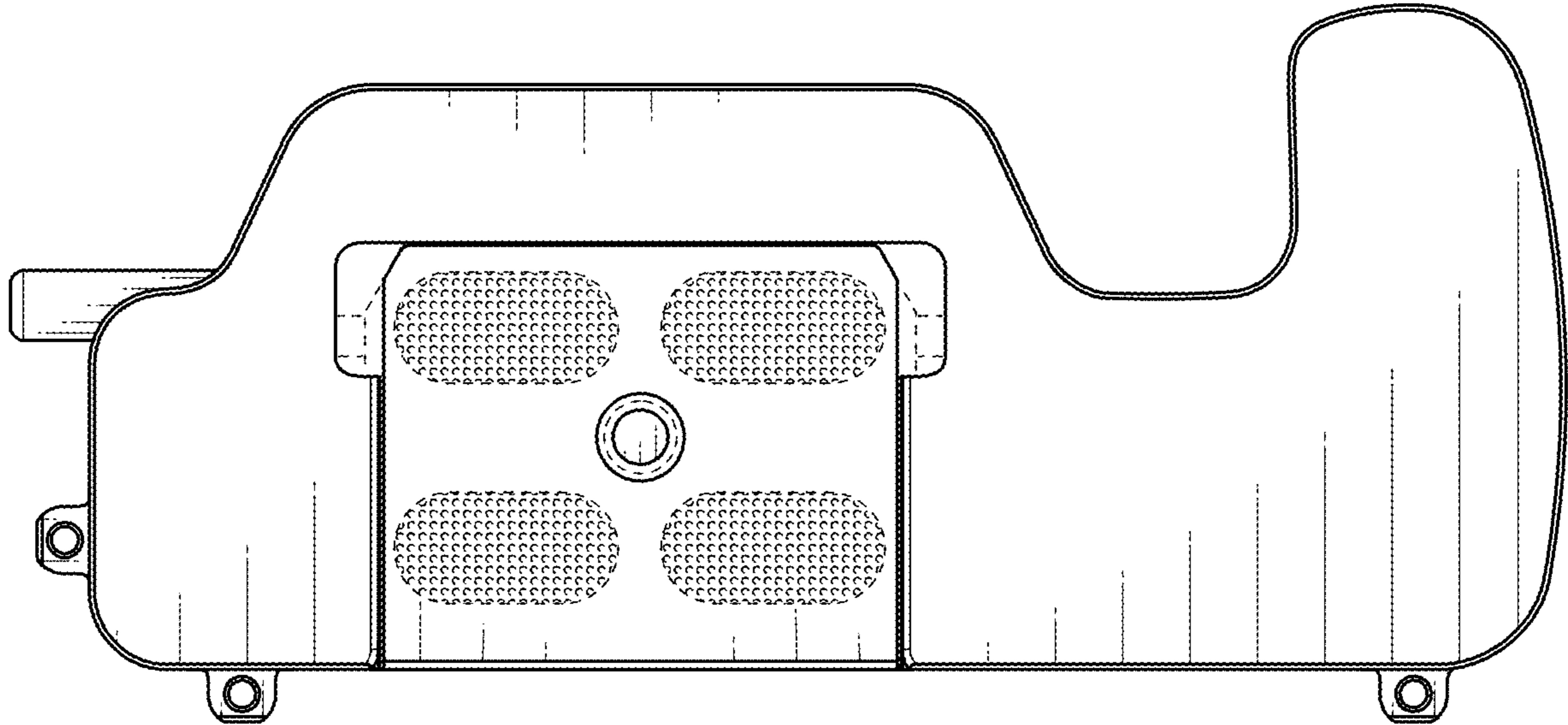


FIG. 6

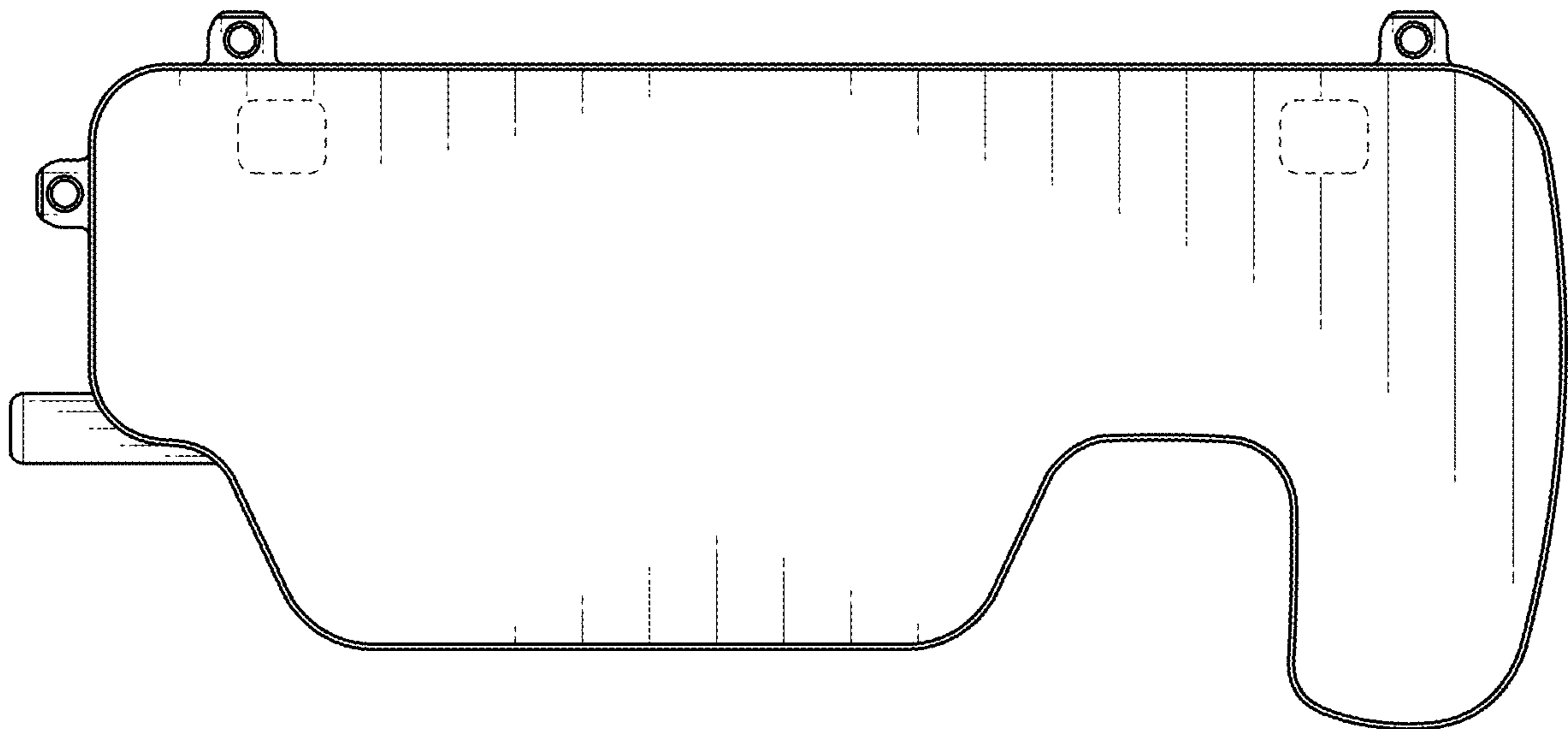


FIG. 7