



US00D986940S

(12) **United States Design Patent**  
**Grant et al.**

(10) **Patent No.:** **US D986,940 S**

(45) **Date of Patent:** **\*\* May 23, 2023**

(54) **REAR WINDOW CAMERA**

(71) Applicant: **Portable Multimedia Limited**, Woking (GB)

(72) Inventors: **Robert Grant**, West End (GB);  
**Graham Lambert**, West End (GB);  
**Ceri Hill**, West End (GB)

(73) Assignee: **PORTABLE MULTIMEDIA LIMITED**, Woking (GB)

(\*\*) Term: **15 Years**

(21) Appl. No.: **29/693,314**

(22) Filed: **May 31, 2019**

(30) **Foreign Application Priority Data**

Jan. 7, 2019 (GB) ..... 6051403

(51) **LOC (14) Cl.** ..... **16-01**

(52) **U.S. Cl.**  
USPC ..... **D16/208; D16/203**

(58) **Field of Classification Search**  
USPC ..... D16/200, 202–210, 212, 218, 219;  
348/373–376; 396/448, 535, 539–541  
CPC ..... G03B 15/03; G03B 17/02; G03B 17/04;  
G03B 17/56; G03B 19/04; H04N 5/2251;  
H04N 5/2252; H04N 5/2253; H04N  
5/2254; H04N 2101/00  
See application file for complete search history.

(56) **References Cited**

**U.S. PATENT DOCUMENTS**

D455,165 S \* 4/2002 Tsang ..... D16/202  
D455,768 S \* 4/2002 Tsang ..... D16/202

D552,649 S \* 10/2007 Logan ..... D16/202  
D626,580 S \* 11/2010 Tzeng ..... D16/202  
D723,604 S \* 3/2015 Mohan ..... D16/203  
D726,799 S \* 4/2015 Neufeld ..... D16/208  
D748,179 S \* 1/2016 Scalisi ..... D10/118.2  
D777,235 S \* 1/2017 Jang ..... D16/203  
D786,330 S \* 5/2017 Tasselli ..... D16/203  
D830,443 S \* 10/2018 Borel ..... D16/203  
D833,503 S \* 11/2018 Hollinger ..... D16/210  
D862,563 S \* 10/2019 Zhang ..... D16/203  
D885,456 S \* 5/2020 Tiersen ..... D16/203

\* cited by examiner

*Primary Examiner* — Ramzi Almatrahi

(74) *Attorney, Agent, or Firm* — Hickman Becker  
Bingham Ledesma LLP; Malgorzata A. Kulczycka

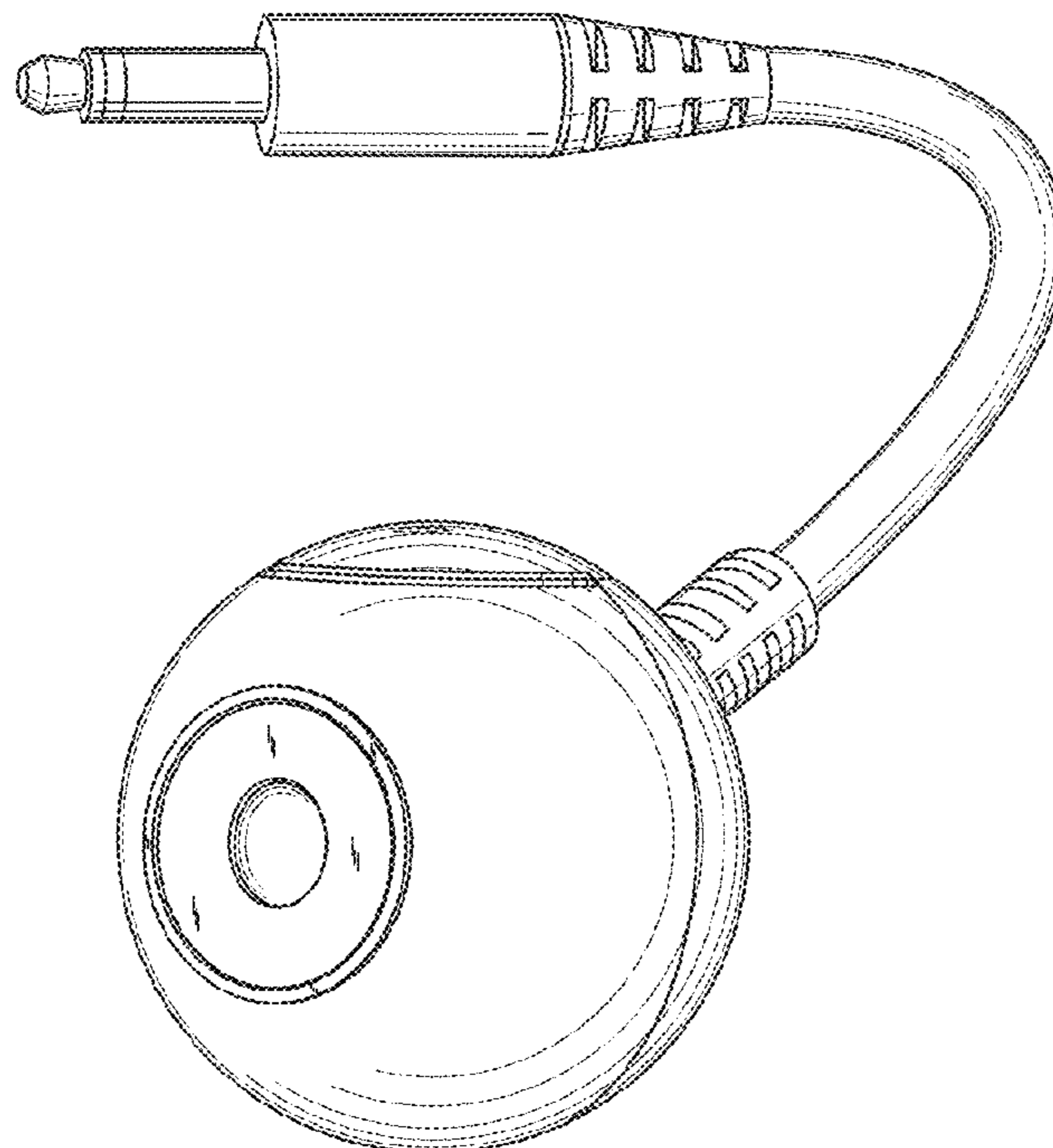
(57) **CLAIM**

The ornamental design for a rear window camera, as shown and described.

**DESCRIPTION**

FIG. 1 is a front elevation view of a rear window camera showing our new design;  
FIG. 2 is a rear elevation view thereof;  
FIG. 3 is a left side elevation view thereof;  
FIG. 4 is a right side elevation view thereof;  
FIG. 5 is a top plan view thereof;  
FIG. 6 is a bottom plan view thereof; and,  
FIG. 7 is a front and left side perspective view thereof.  
The broken lines depict portions of the rear window camera in which the design is embodied that form no part of the claimed design.

**1 Claim, 7 Drawing Sheets**



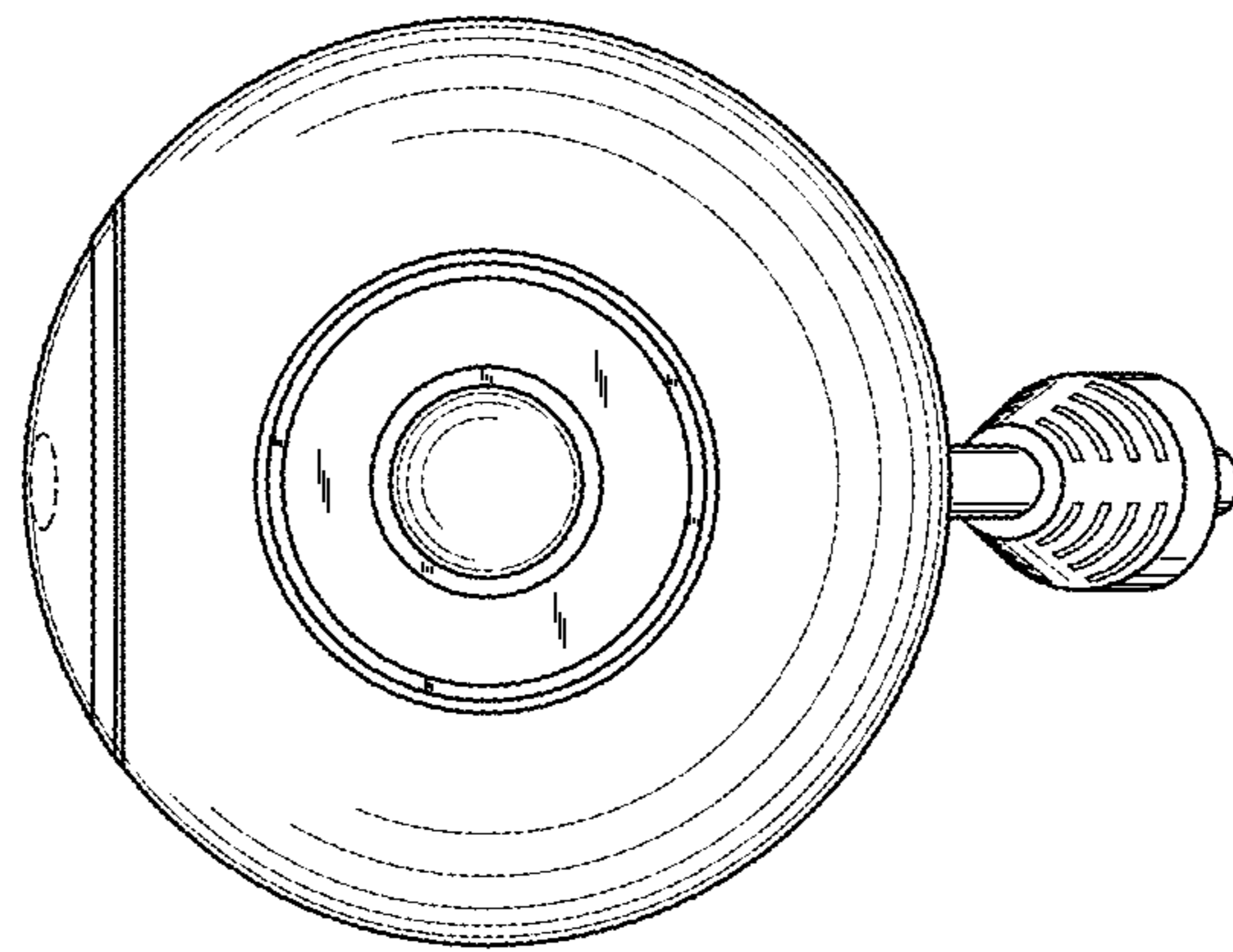


FIG. 1

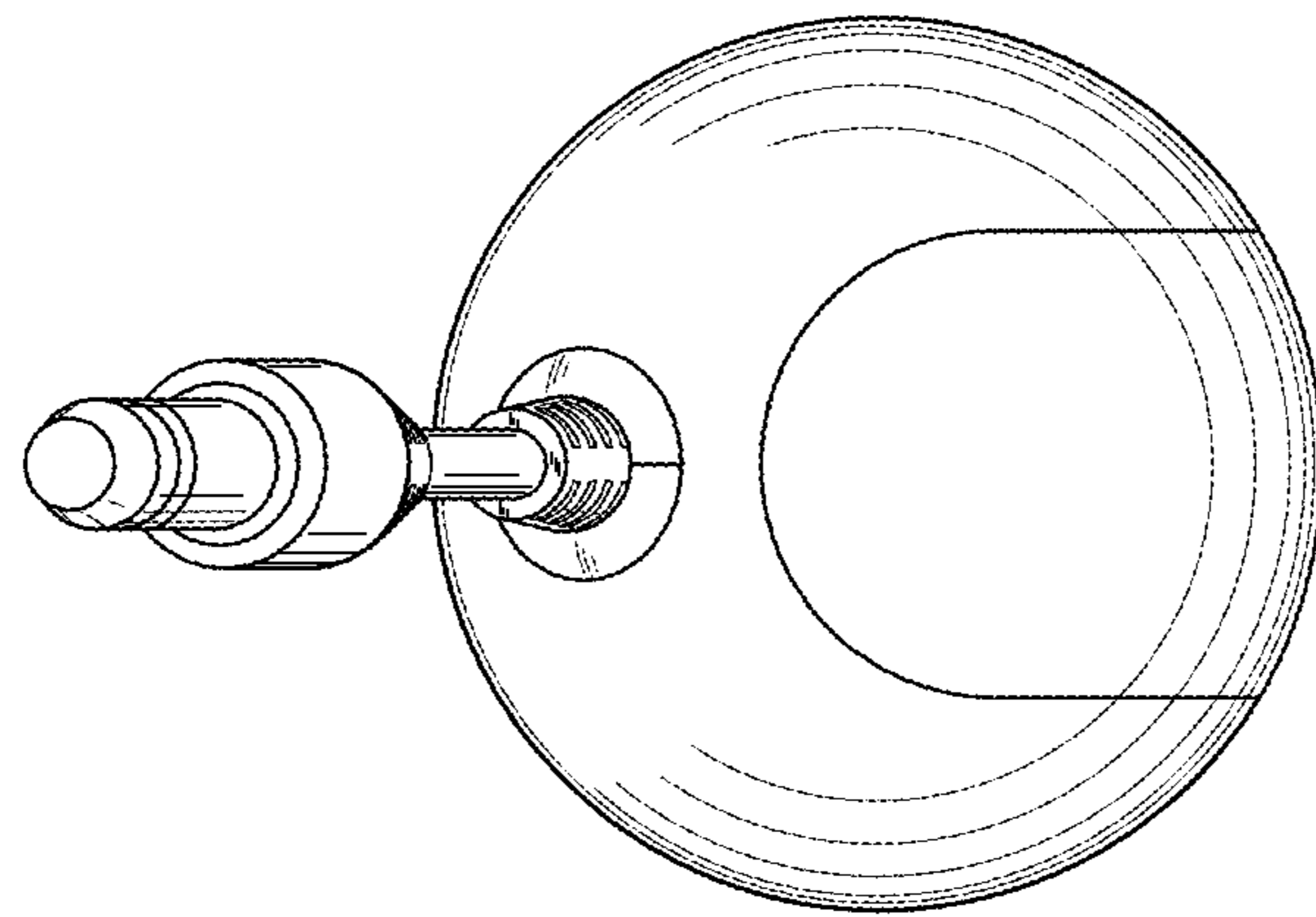


FIG. 2

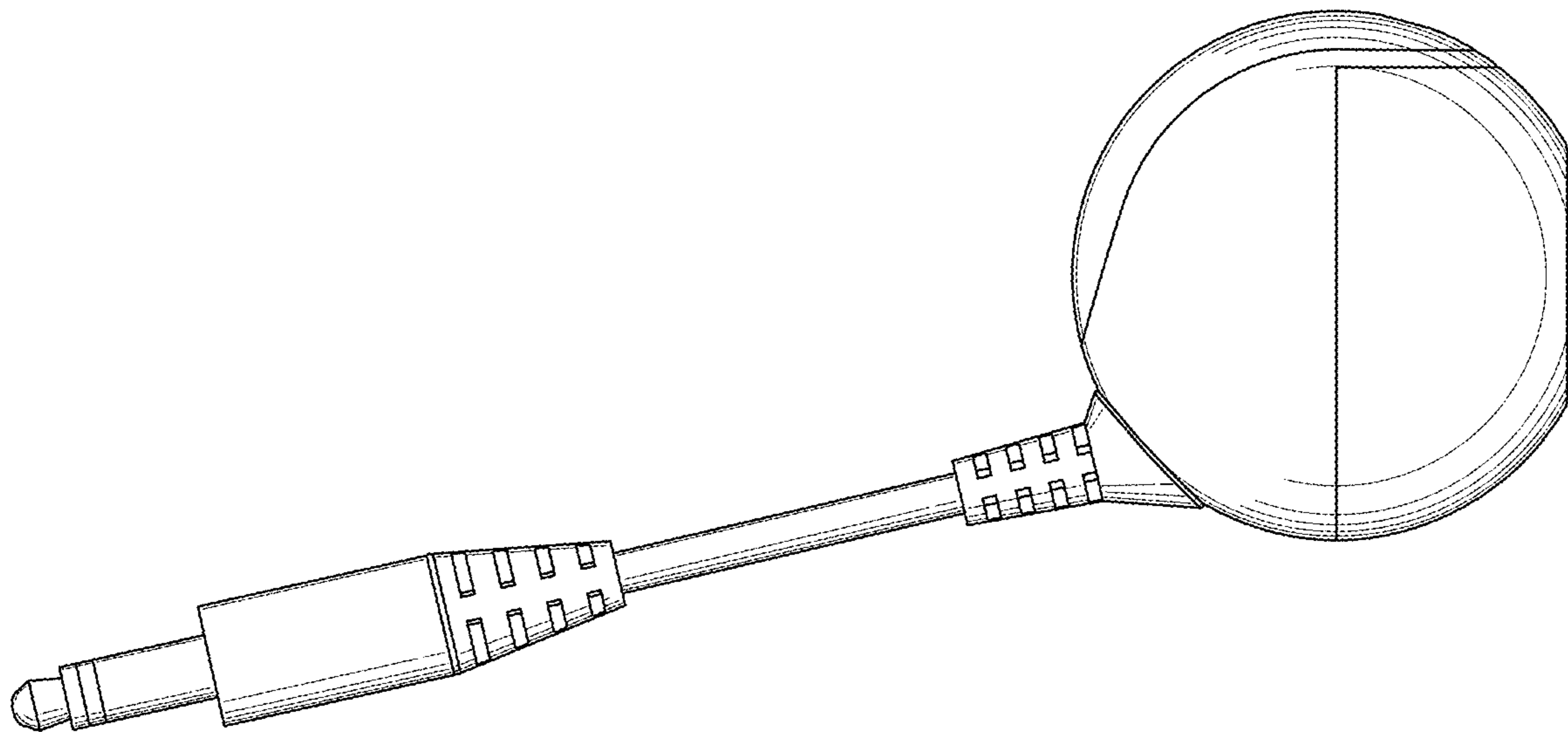


FIG. 3

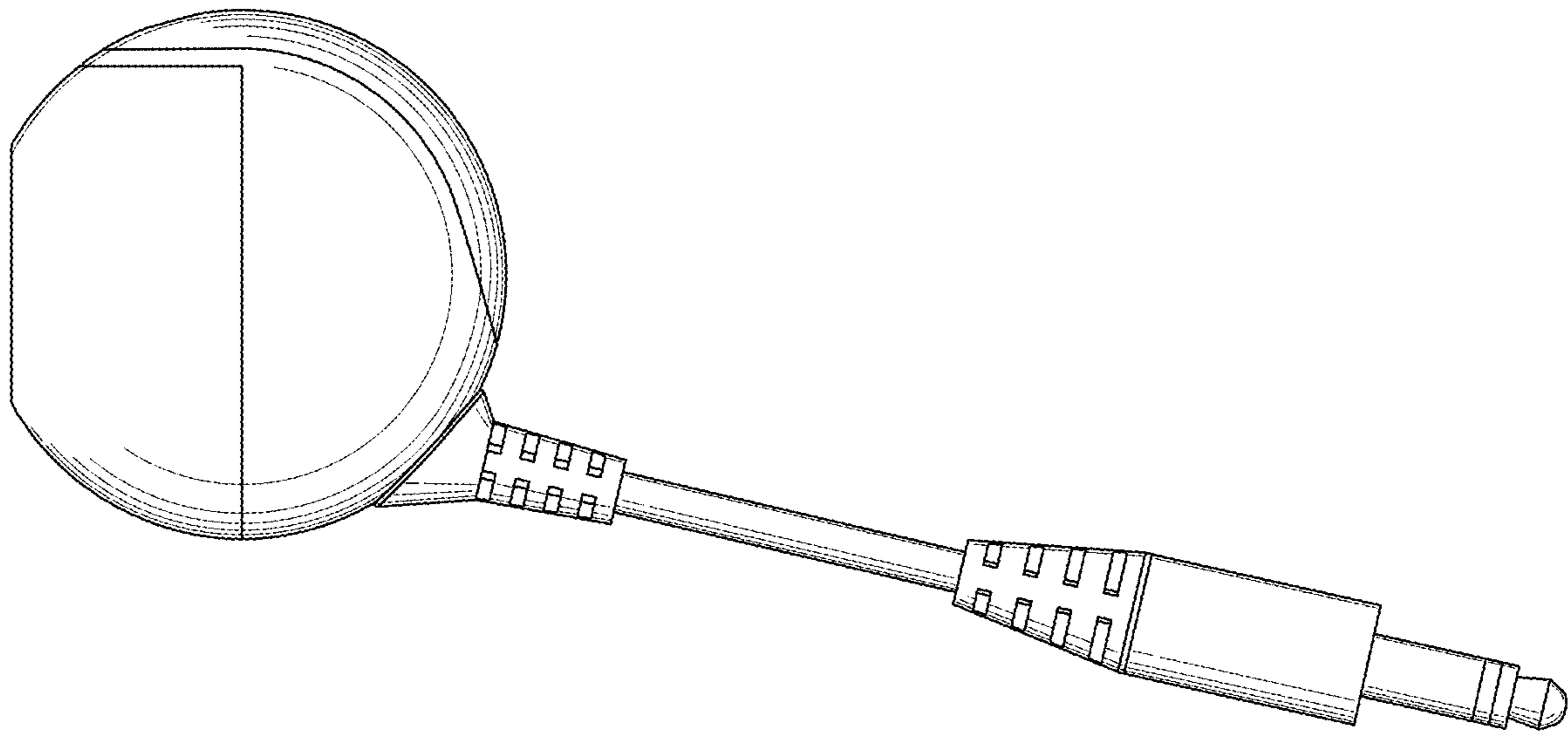


FIG. 4

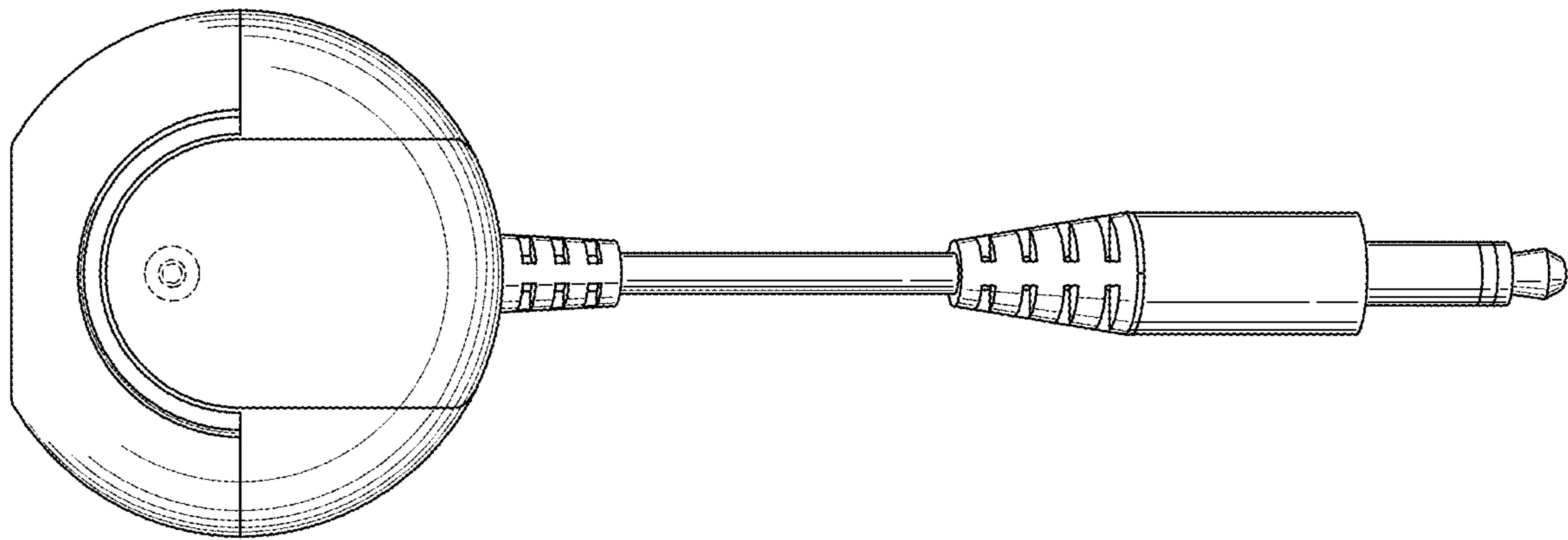


FIG. 5

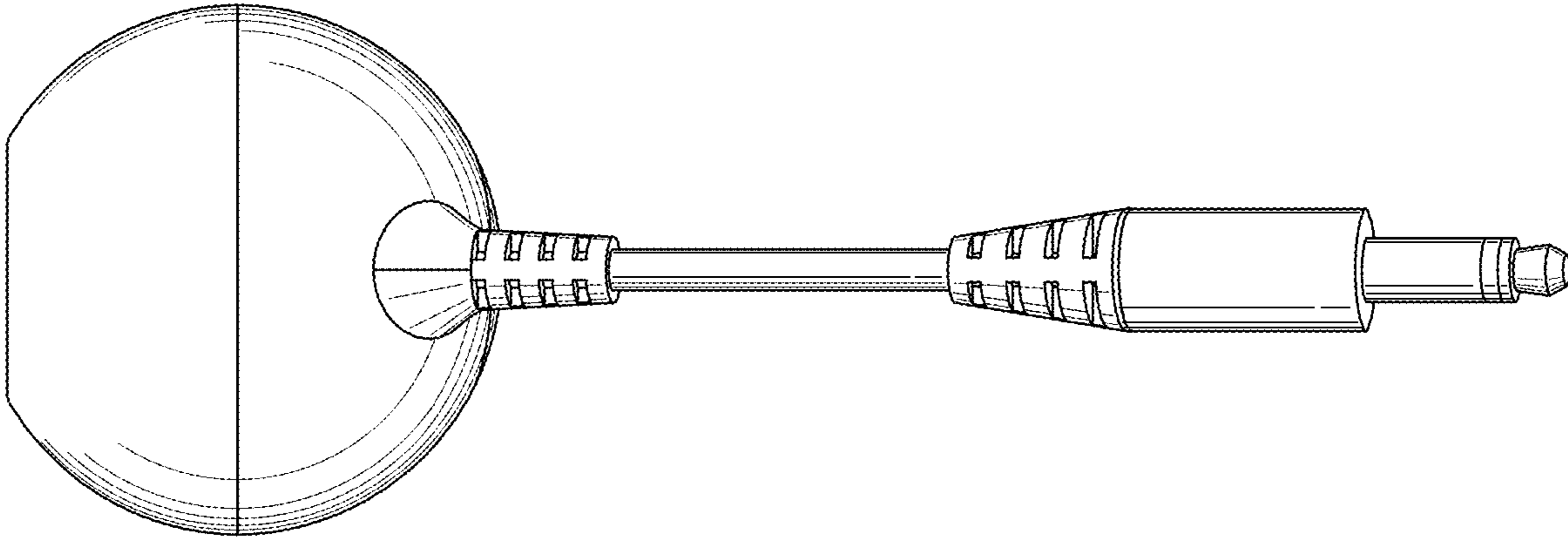


FIG. 6

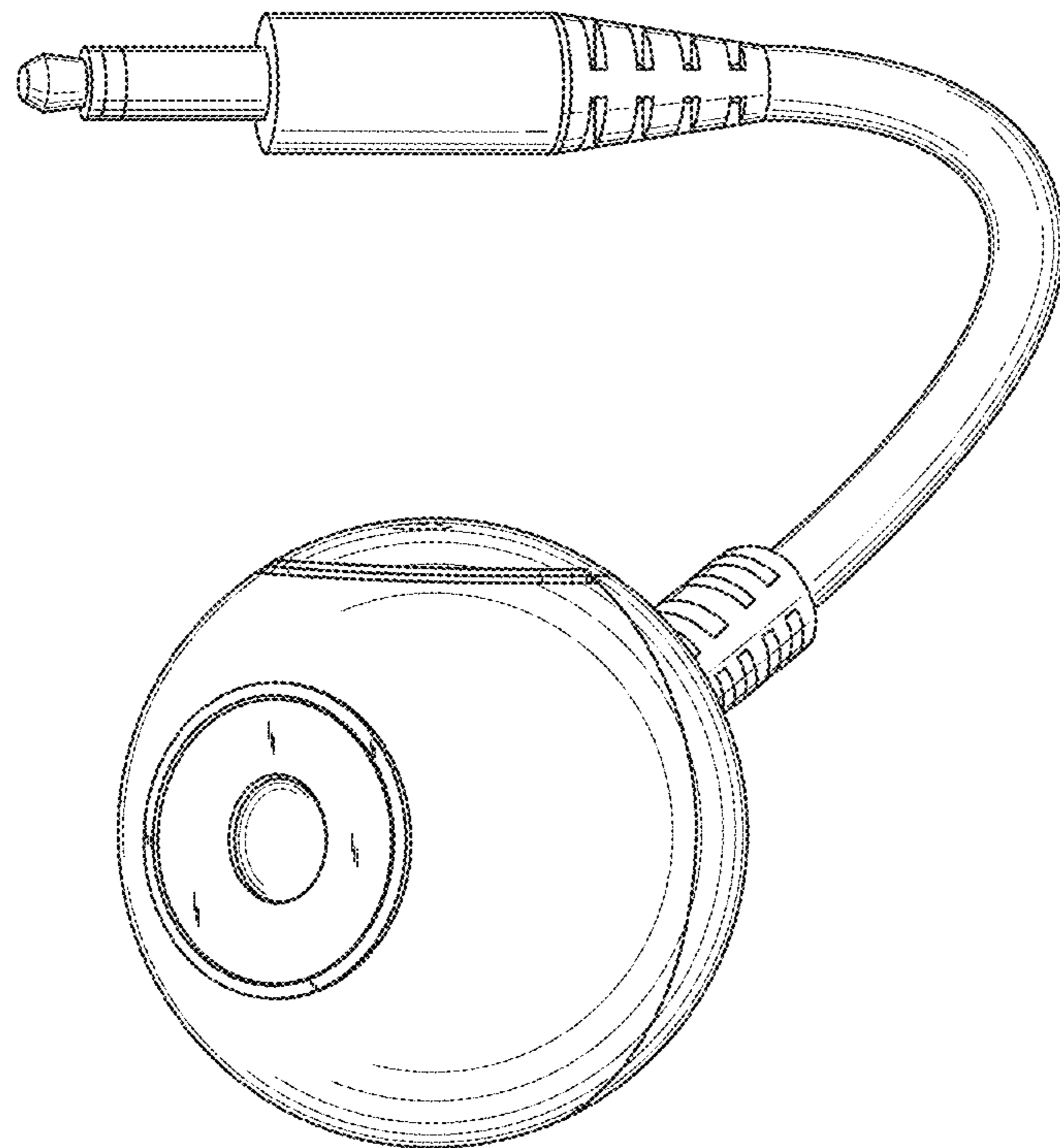


FIG. 7