



US00D986939S

(12) **United States Design Patent**
Grant et al.

(10) **Patent No.:** **US D986,939 S**

(45) **Date of Patent:** **** May 23, 2023**

(54) **REAR WINDOW CAMERA**

(71) Applicant: **Portable Multimedia Limited**, Woking (GB)

(72) Inventors: **Robert Grant**, West End (GB);
Graham Lambert, West End (GB);
Ceri Hill, West End (GB)

(73) Assignee: **PORTABLE MULTIMEDIA LIMITED**, Woking (GB)

(**) Term: **15 Years**

(21) Appl. No.: **29/693,312**

(22) Filed: **May 31, 2019**

(30) **Foreign Application Priority Data**

Jan. 7, 2019 (GB) 6051402

(51) **LOC (14) Cl.** **16-01**

(52) **U.S. Cl.**
USPC **D16/208; D16/203**

(58) **Field of Classification Search**
USPC D16/200, 202–210, 212, 218, 219;
348/373–376; 396/448, 535, 539–541
CPC G03B 15/03; G03B 17/02; G03B 17/04;
G03B 17/56; G03B 19/04; H04N 5/2251;
H04N 5/2252; H04N 5/2253; H04N
5/2254; H04N 2101/00
See application file for complete search history.

(56) **References Cited**

U.S. PATENT DOCUMENTS

D455,165 S * 4/2002 Tsang D16/202
D455,768 S * 4/2002 Tsang D16/202

D552,649 S * 10/2007 Logan D16/202
D626,580 S * 11/2010 Tzeng D16/202
D723,604 S * 3/2015 Mohan D16/203
D726,799 S * 4/2015 Neufeld D16/208
D748,179 S * 1/2016 Scalisi D10/118.2
D777,235 S * 1/2017 Jang D16/203
D786,330 S * 5/2017 Tasselli D16/203
D830,443 S * 10/2018 Borel D16/203
D833,503 S * 11/2018 Hollinger D16/210
D862,563 S * 10/2019 Zhang D16/203
D885,456 S * 5/2020 Tiersen D16/203

* cited by examiner

Primary Examiner — Ramzi Almatrahi

(74) *Attorney, Agent, or Firm* — Hickman Becker
Bingham Ledesma LLP; Malgorzata A. Kulczycka

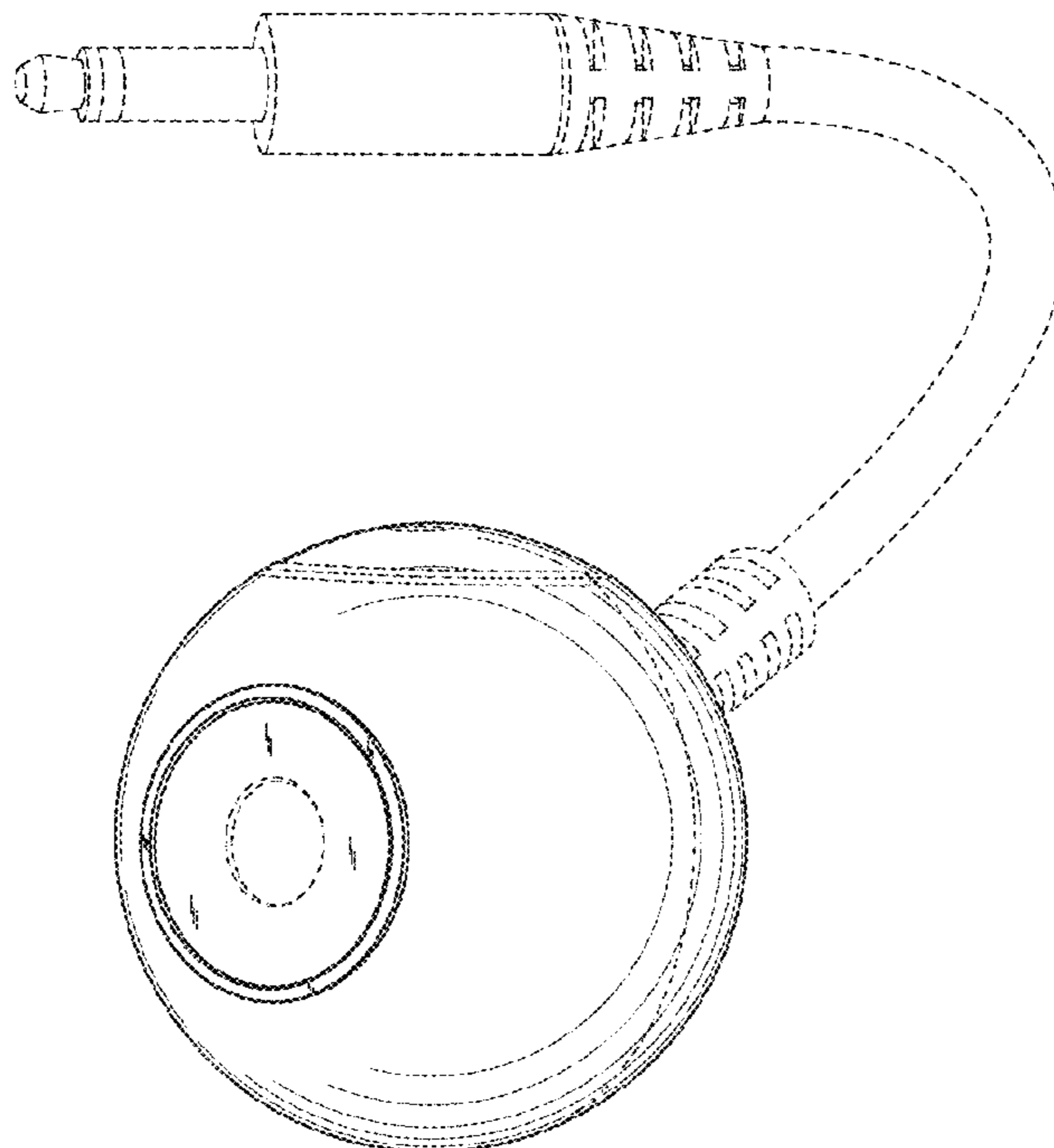
(57) **CLAIM**

The ornamental design for a rear window camera, as shown and described.

DESCRIPTION

FIG. 1 is a front elevation view of a rear window camera showing our new design;
FIG. 2 is a right side elevation view thereof;
FIG. 3 is a left side elevation view thereof;
FIG. 4 is a rear elevation view thereof;
FIG. 5 is a top plan view thereof;
FIG. 6 is a bottom plan view thereof; and,
FIG. 7 is a front and left side perspective view thereof.
The broken lines depict portions of the rear window camera in which the design is embodied that form no part of the claimed design.

1 Claim, 7 Drawing Sheets



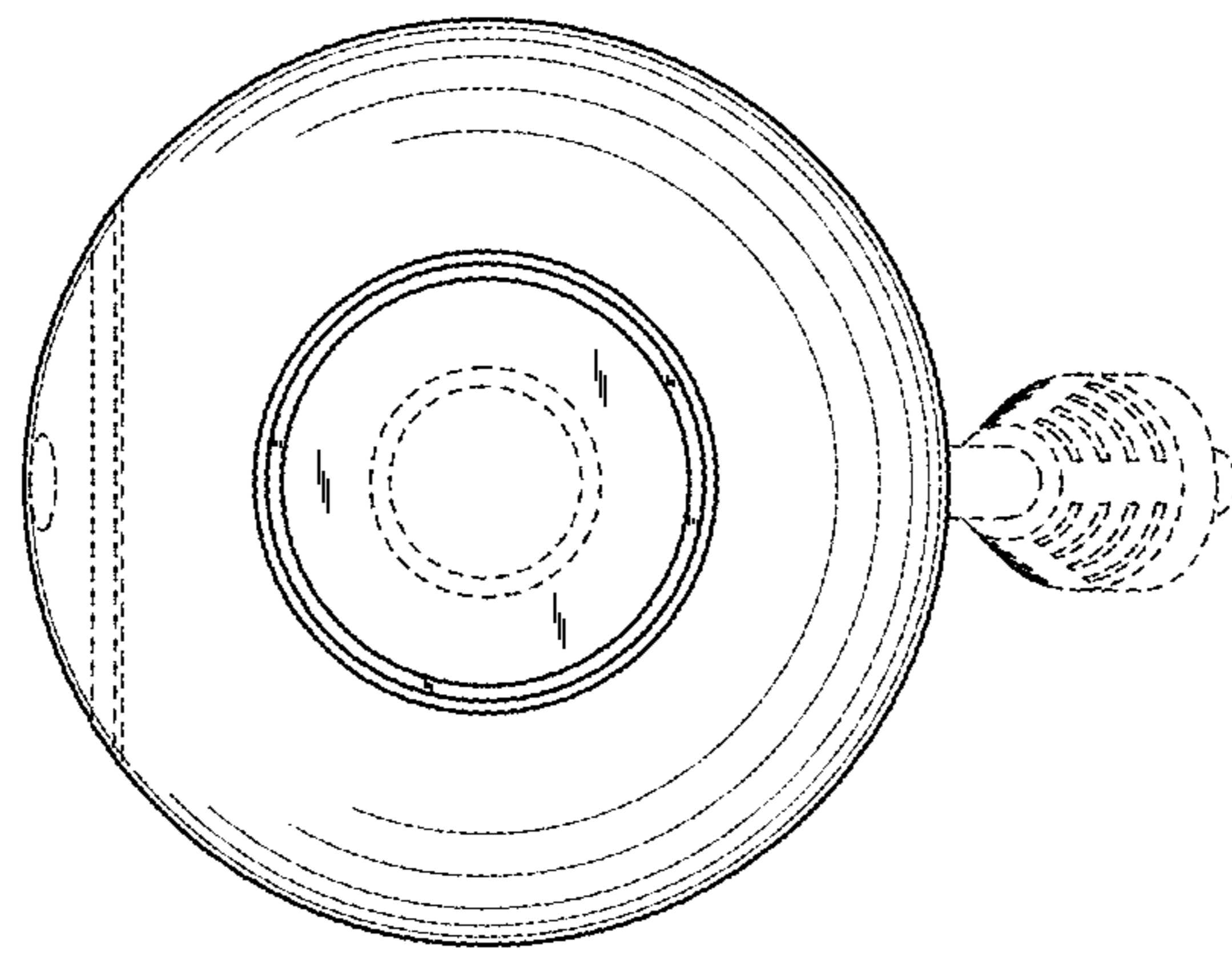


FIG. 1

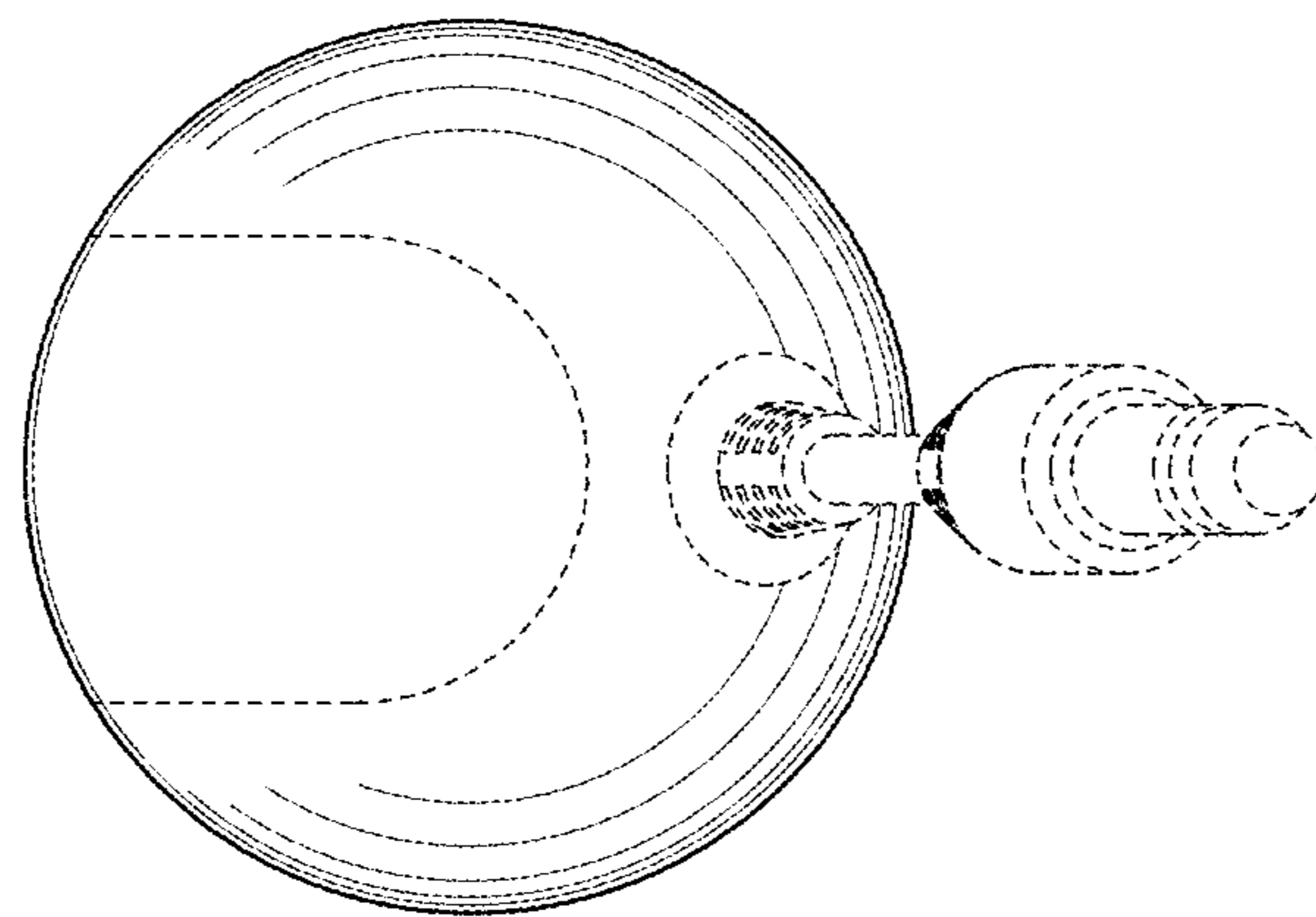


FIG. 2

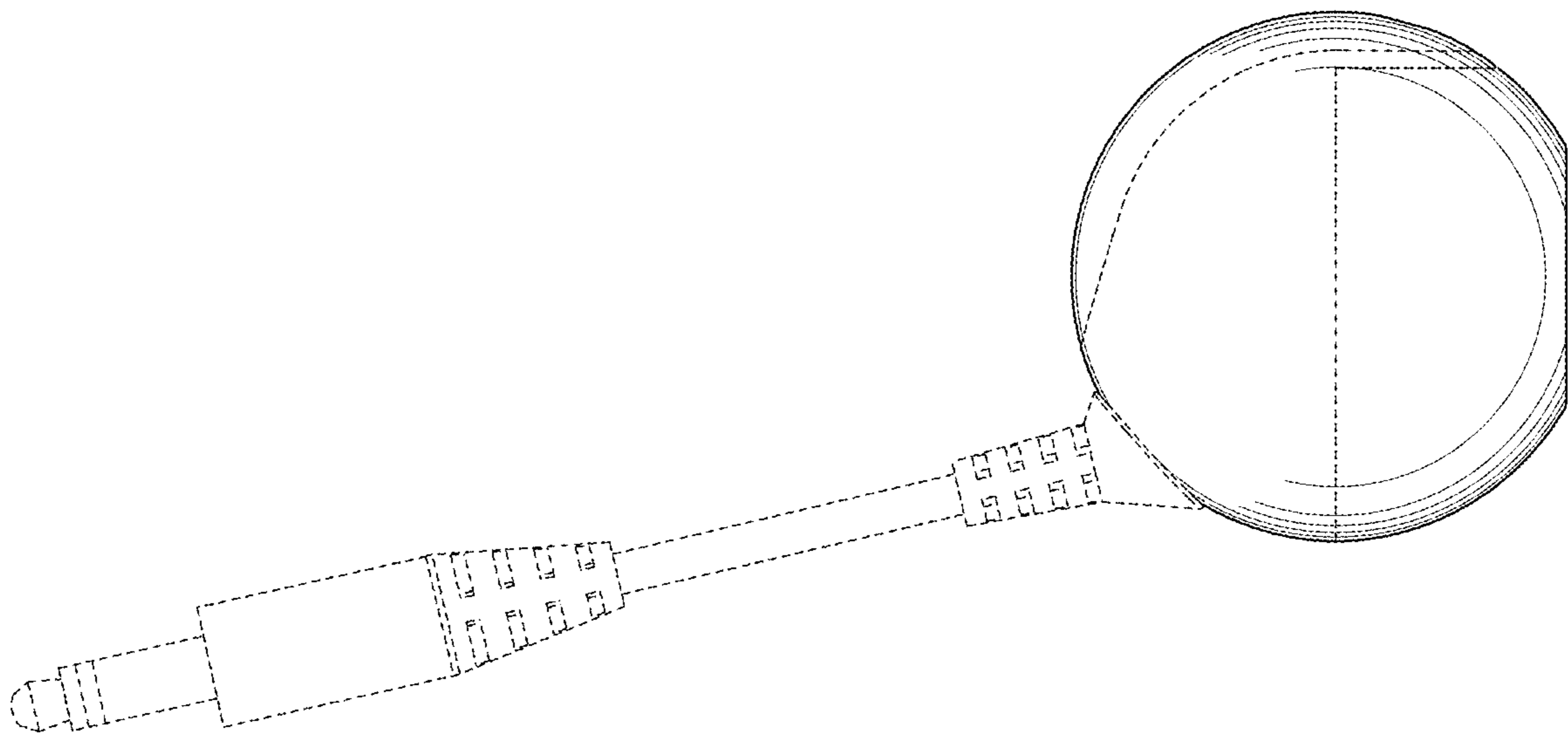


FIG. 3

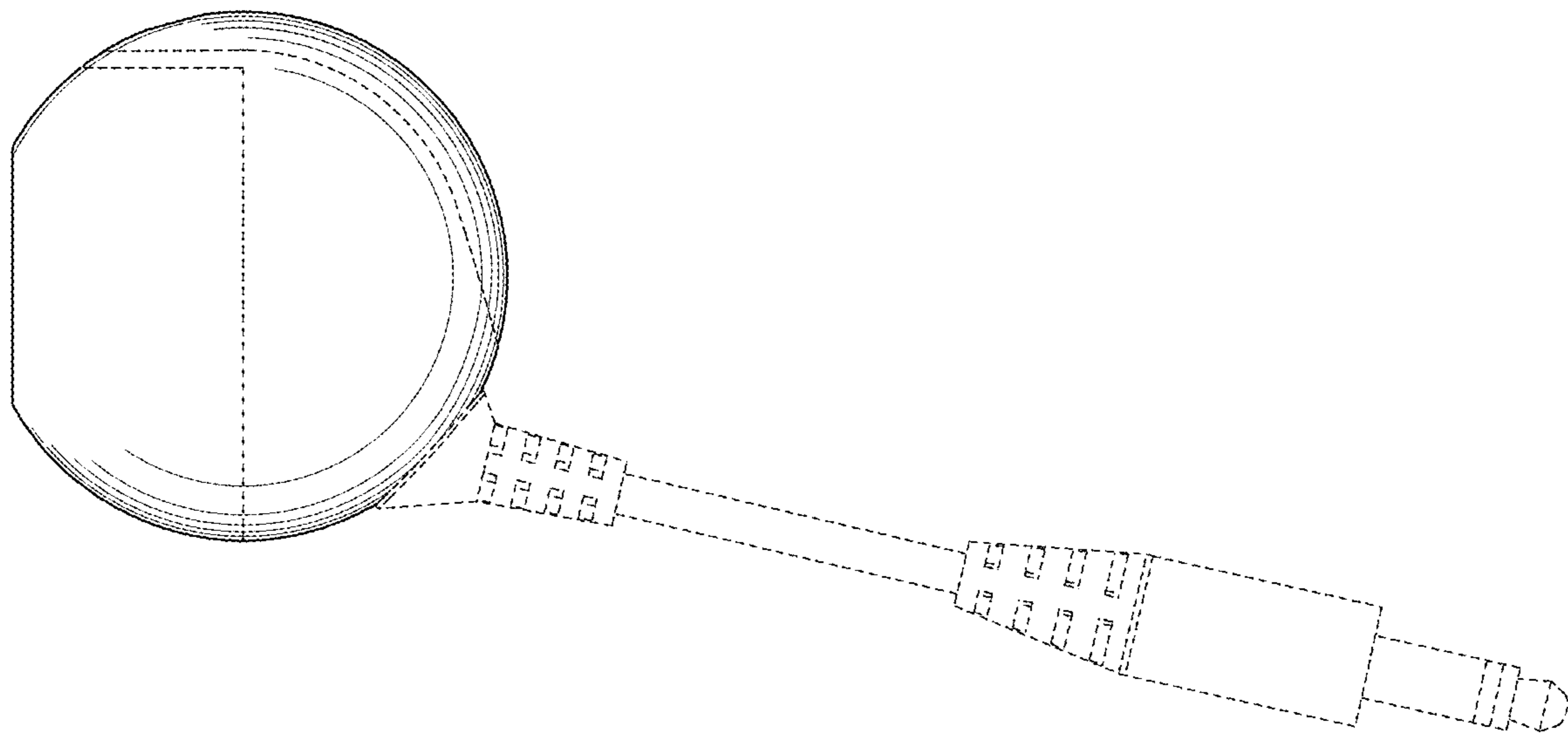


FIG. 4

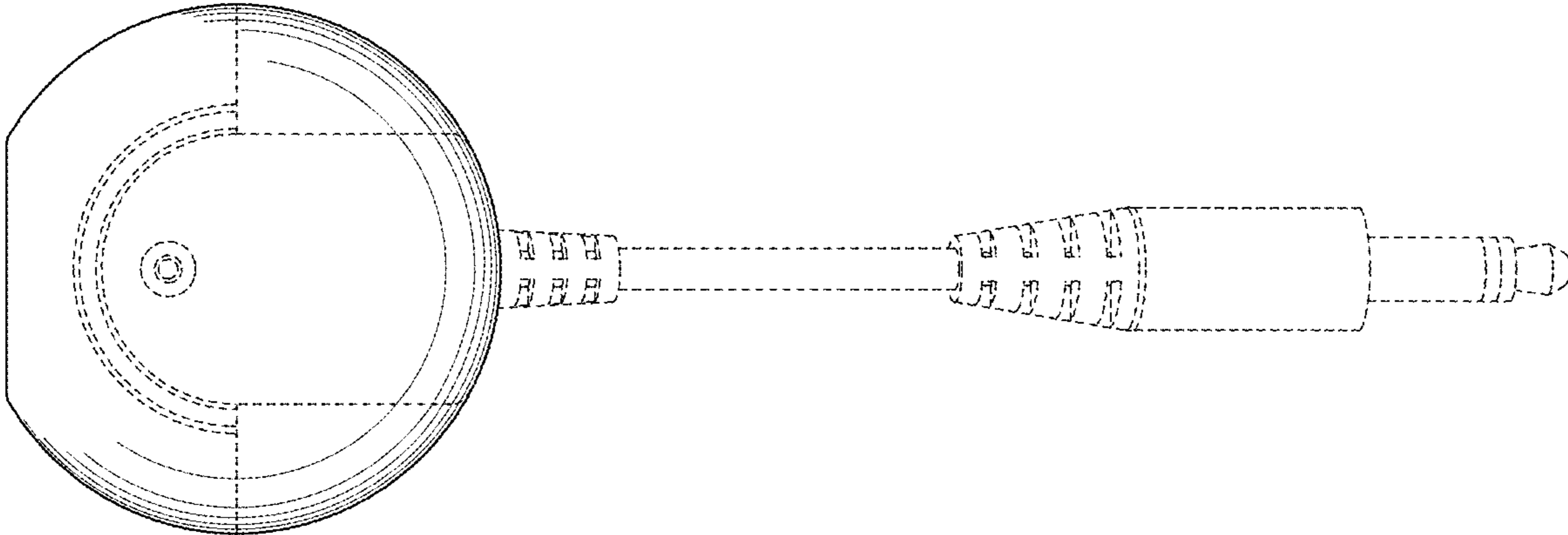


FIG. 5

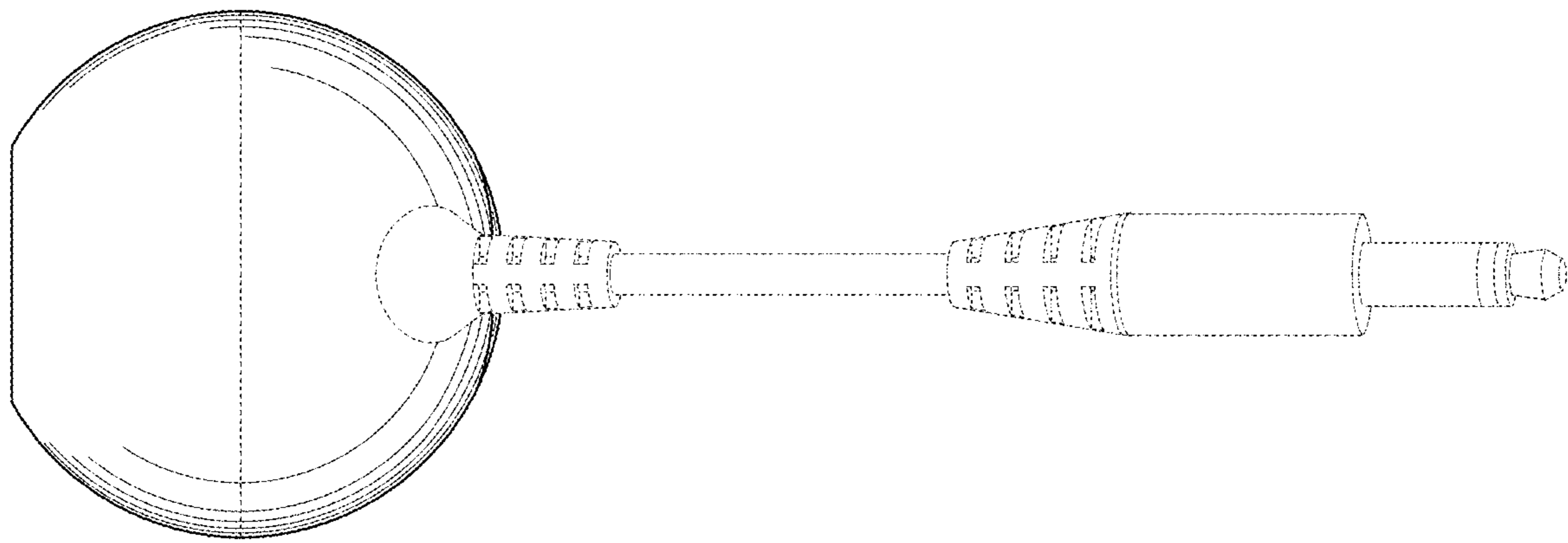


FIG. 6

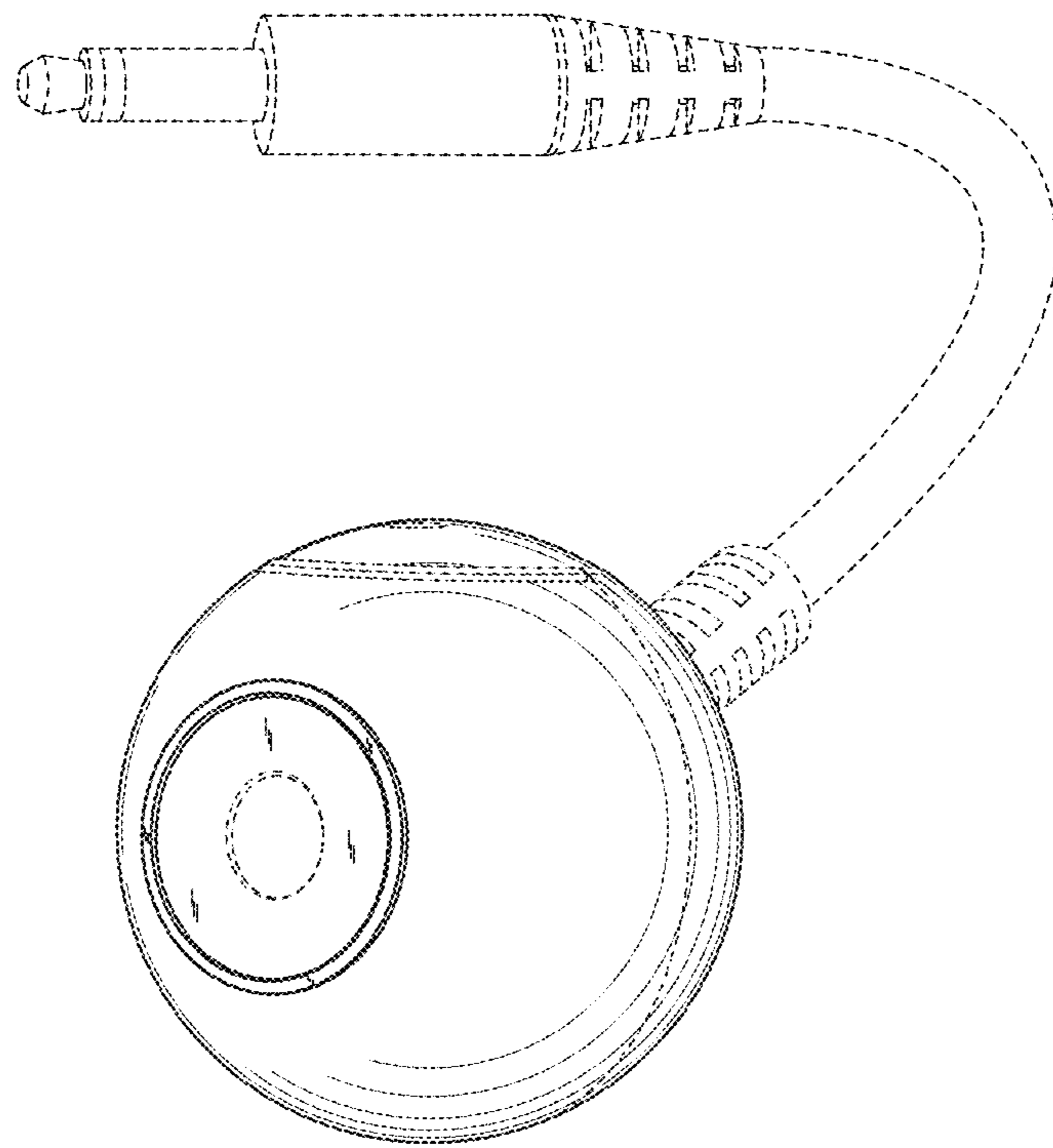


FIG. 7