



US00D986938S

(12) **United States Design Patent**
Jiang et al.

(10) **Patent No.:** **US D986,938 S**

(45) **Date of Patent:** **** May 23, 2023**

(54) **SURVEILLANCE CAMERA**

(71) Applicant: **HANGZHOU EZVIZ SOFTWARE CO., LTD.**, Hangzhou (CN)

(72) Inventors: **Haiqing Jiang**, Hangzhou (CN); **Wei Wang**, Hangzhou (CN); **Weike Zhu**, Hangzhou (CN)

(73) Assignee: **HANGZHOU EZVIZ SOFTWARE CO., LTD.**, Zhejiang (CN)

(**) Term: **15 Years**

(21) Appl. No.: **29/744,694**

(22) Filed: **Jul. 30, 2020**

(30) **Foreign Application Priority Data**

Feb. 8, 2020 (CN) 202030048125.8

(51) **LOC (14) Cl.** **16-01**

(52) **U.S. Cl.**
USPC **D16/203**

(58) **Field of Classification Search**
USPC D16/200, 202–205, 208, 211, 214, 218, D16/219, 221, 242; D14/447; 348/14.01–14.06, 143, 148, 373–376; 396/419, 427, 535, 539–541
CPC G03B 17/02; G03B 19/04; G03B 17/56; G03B 17/04; G03B 15/03; H04N 5/2251; H04N 5/2252; H04N 5/2253; H04N 5/2254; H04N 2007/145; H04N 7/141; H04N 7/142; H04N 7/147; H04N 7/148; H04N 7/15; H04N 7/152
See application file for complete search history.

(56) **References Cited**

U.S. PATENT DOCUMENTS

D729,296 S * 5/2015 Shelton D16/202
D740,871 S * 10/2015 Moon D16/203

D748,709 S * 2/2016 Jeong D16/202
D754,233 S * 4/2016 Du D16/211
D784,434 S * 4/2017 Benedetti D16/202
D798,360 S * 9/2017 Jeong D16/203
D801,406 S * 10/2017 Jeong D16/203
D813,289 S * 3/2018 Laffon de Mazieres D16/202
D825,637 S * 8/2018 Moon D16/203
D828,425 S * 9/2018 Piekarski D16/202
D828,426 S * 9/2018 Li D16/202
D912,121 S * 3/2021 Han D16/203
D914,076 S * 3/2021 Abel D16/202

* cited by examiner

Primary Examiner — Ramzi Almatrahi

(74) *Attorney, Agent, or Firm* — Knobbe, Martens, Olson & Bear, LLP

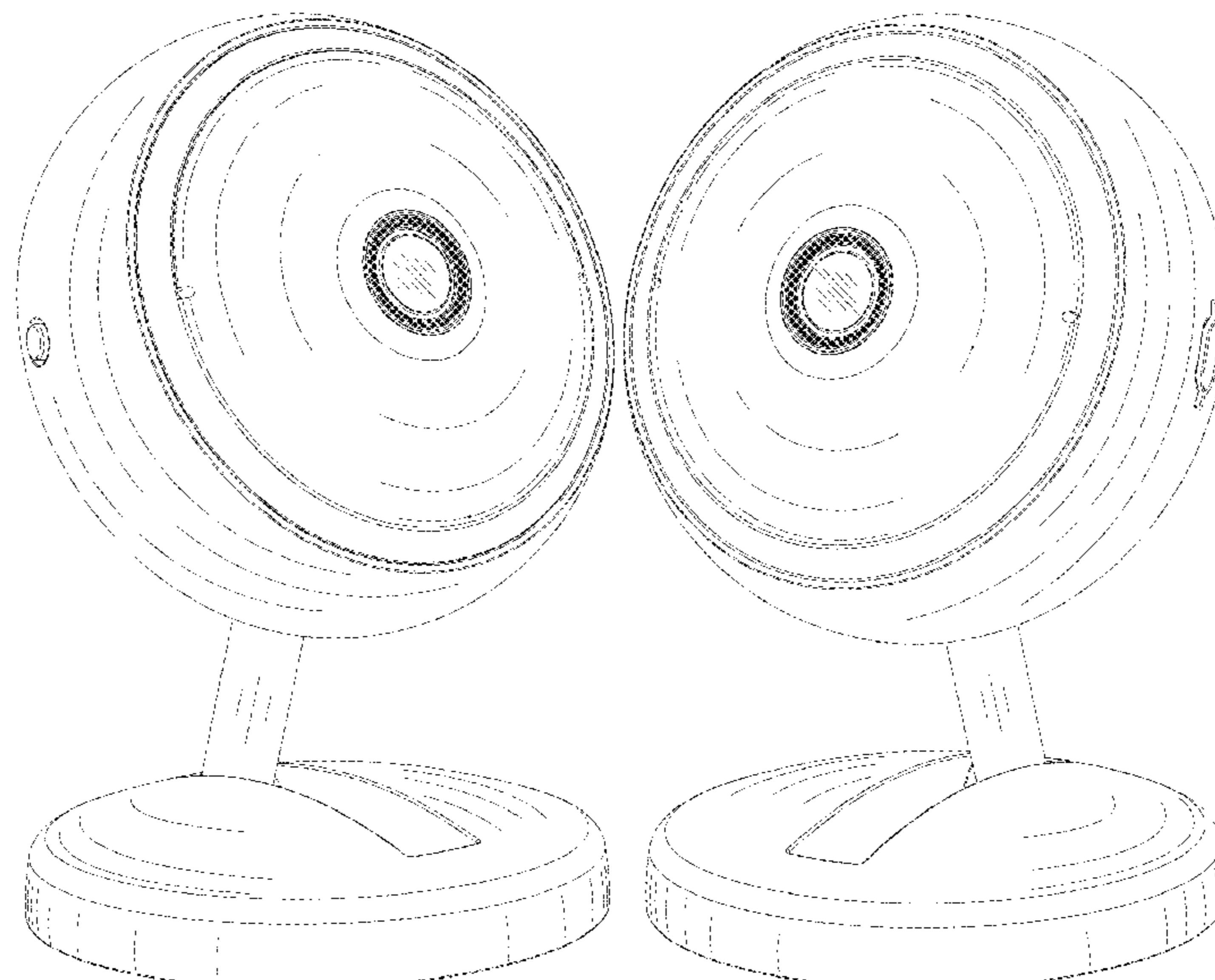
(57) **CLAIM**

The ornamental design for a surveillance camera, as shown and described.

DESCRIPTION

FIG. 1 is a front view of a surveillance camera showing our new design;
FIG. 2 is a rear view thereof;
FIG. 3 is a left side view thereof;
FIG. 4 is a right side view thereof;
FIG. 5 is a top view thereof;
FIG. 6 is a bottom view thereof;
FIG. 7 is a front and left side perspective view thereof;
FIG. 8 is a front and right side perspective view thereof;
FIG. 9 is a front and left side perspective view thereof, shown in an unfolded configuration;
FIG. 10 is a front and right side perspective view thereof; and,
FIG. 11 is a front perspective view thereof.
The broken lines depict portions of the surveillance camera in which the design is embodied that form no part of the claimed design.

1 Claim, 11 Drawing Sheets



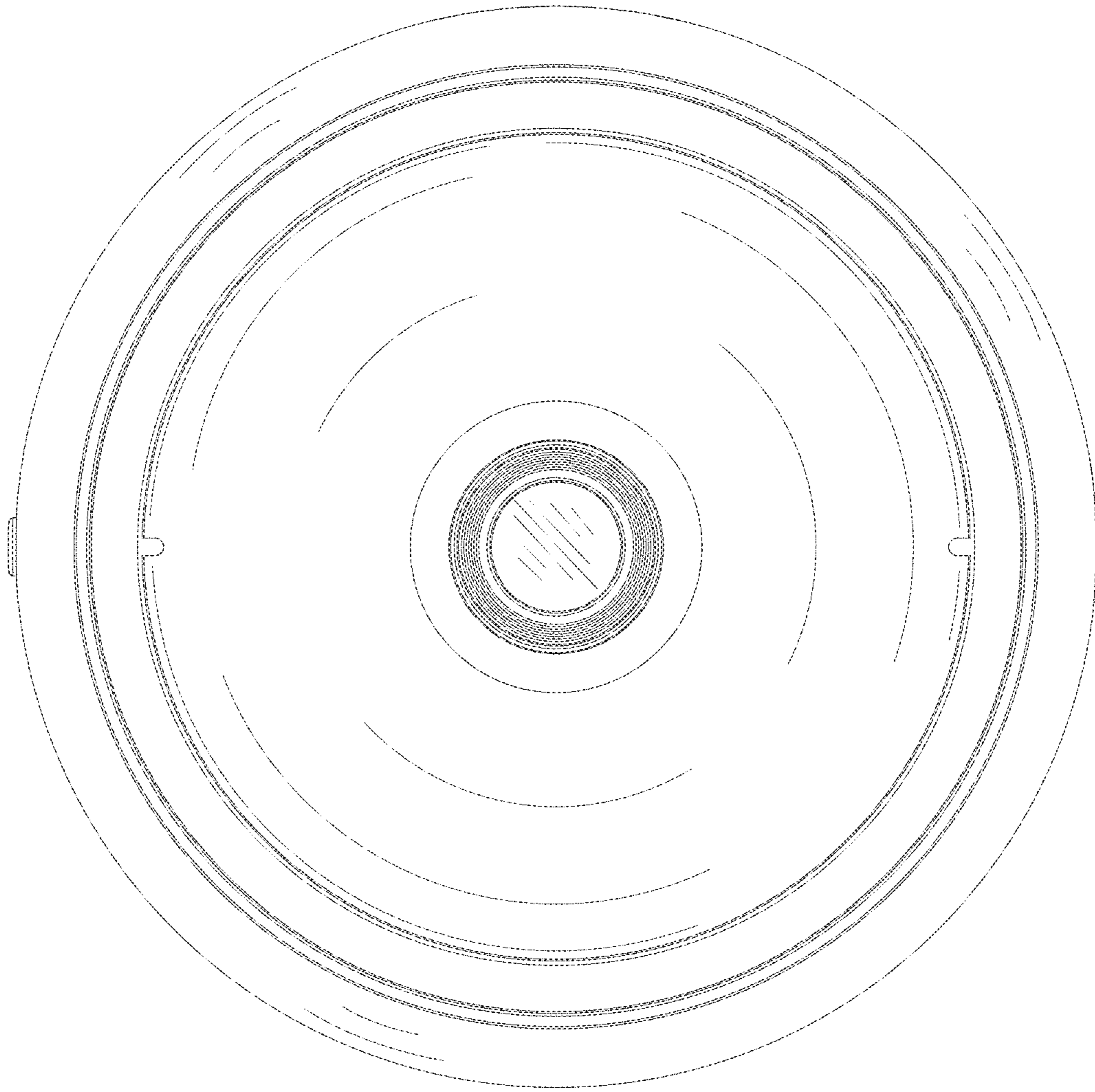


FIG. 1

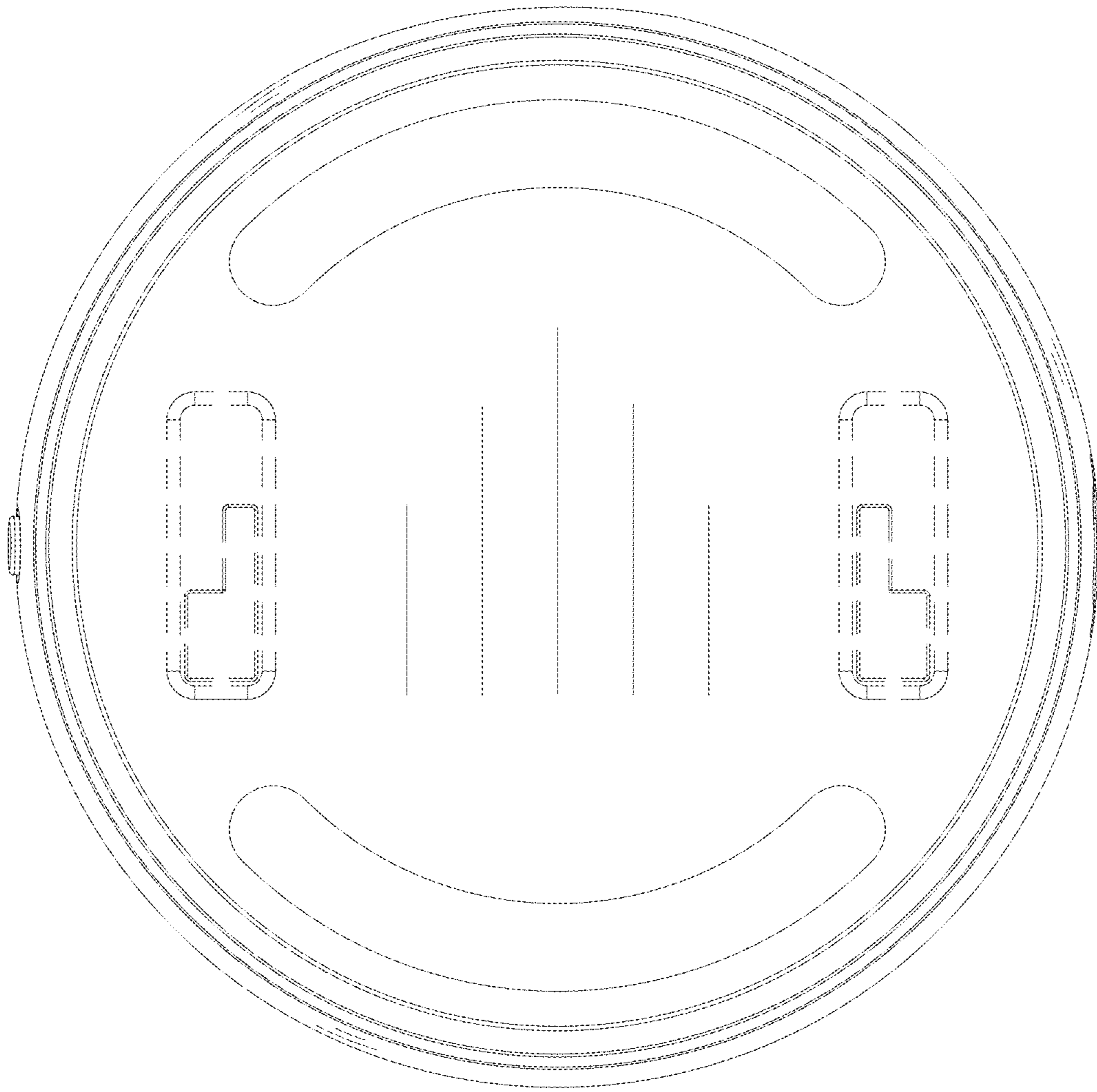


FIG. 2

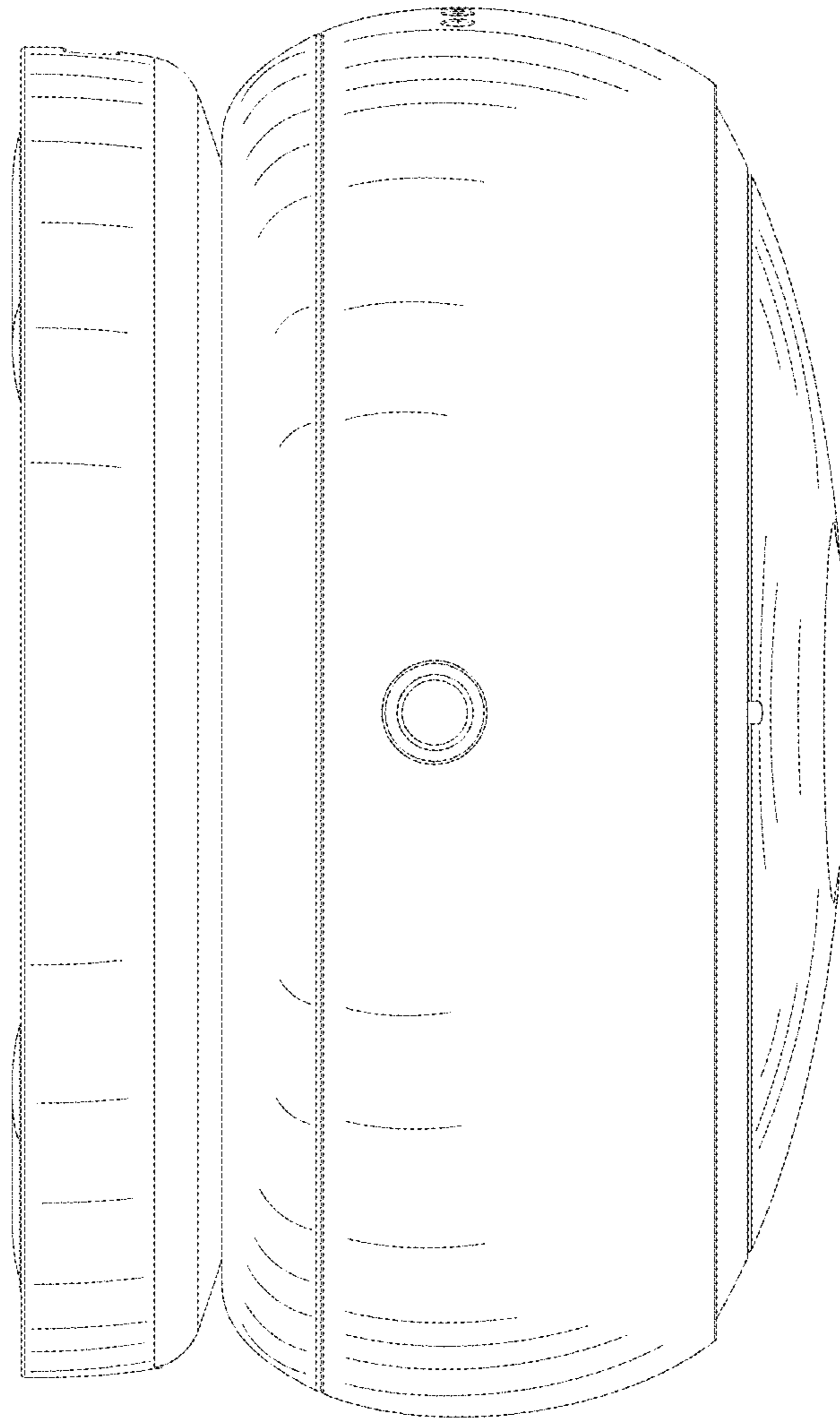


FIG. 3

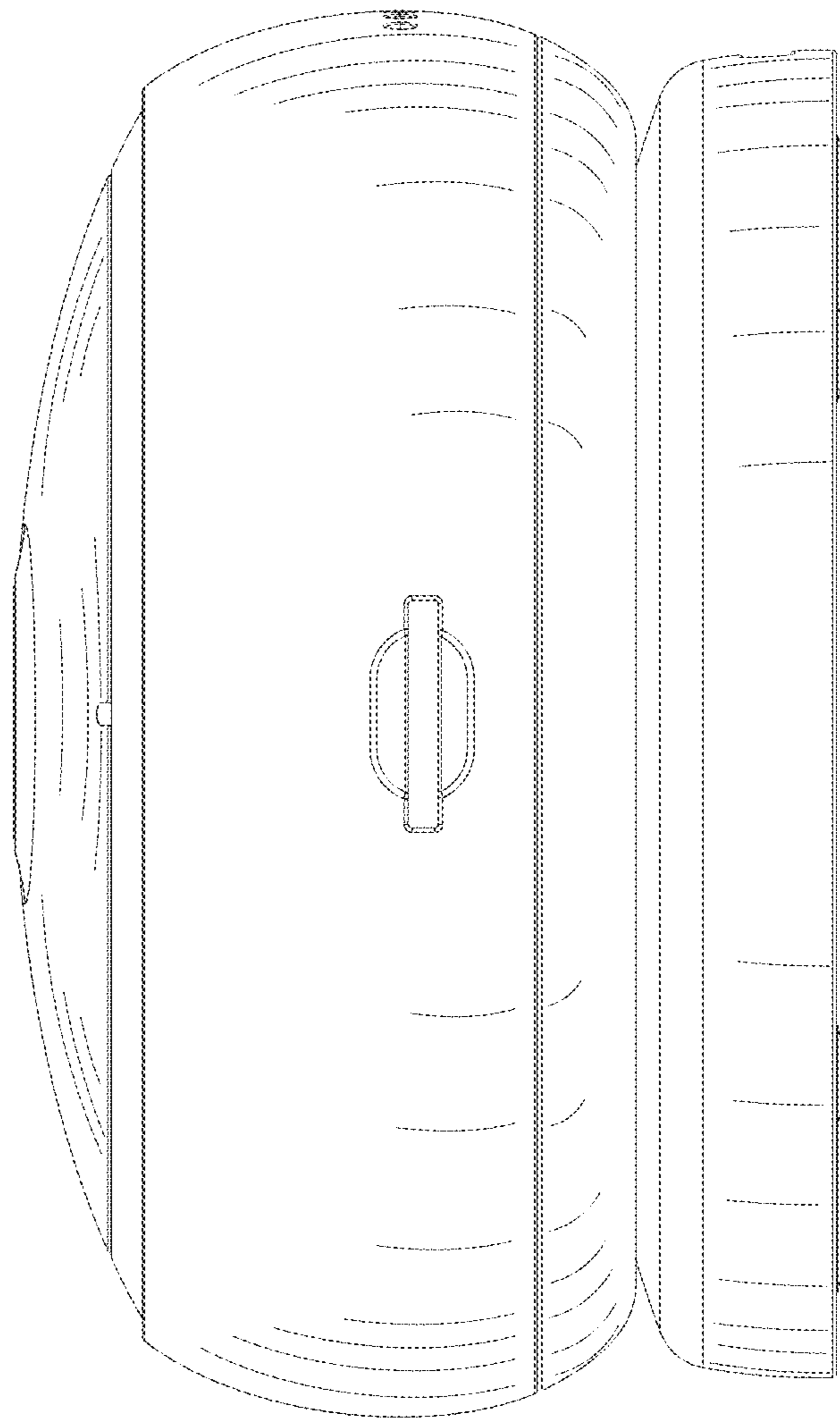


FIG. 4

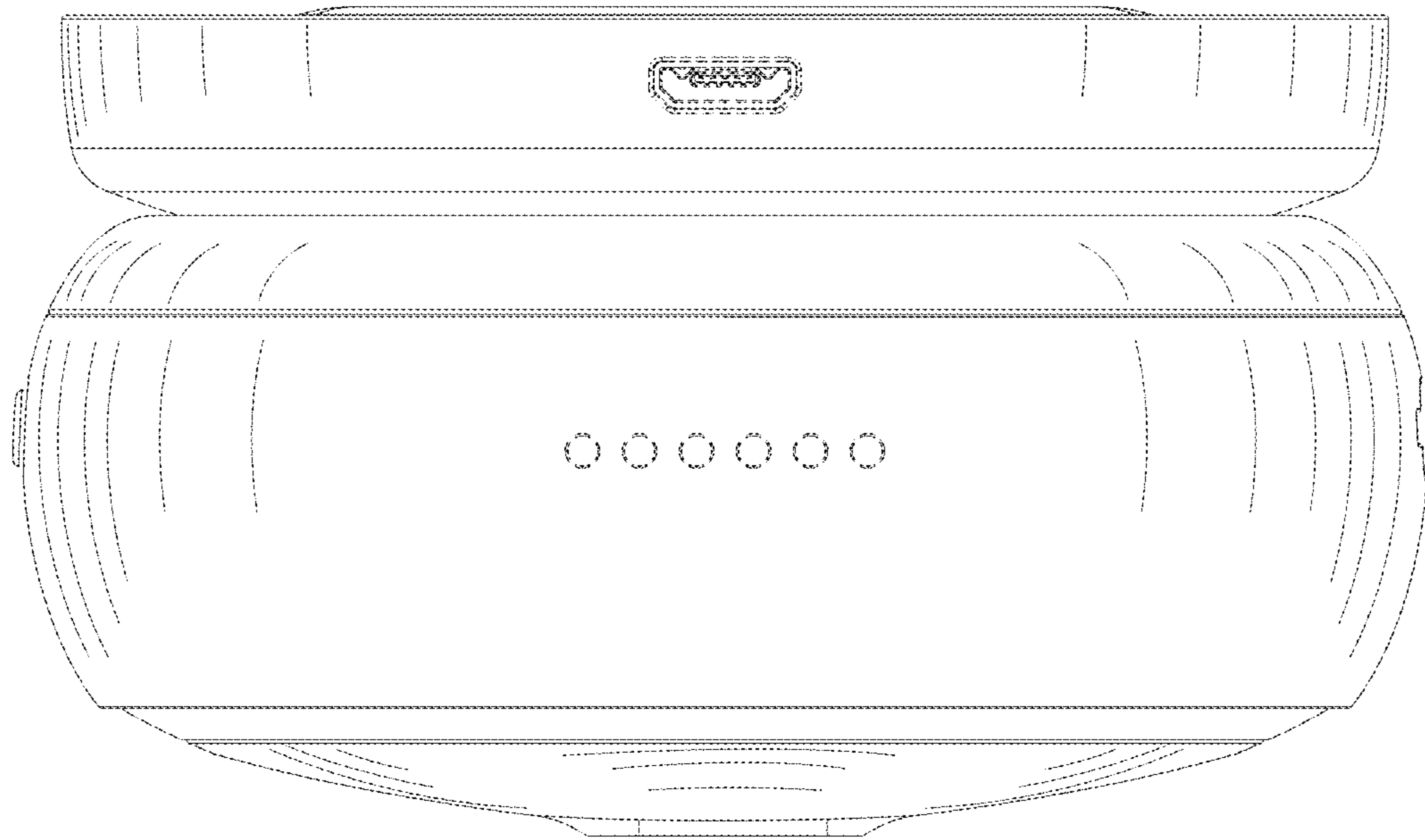


FIG. 5

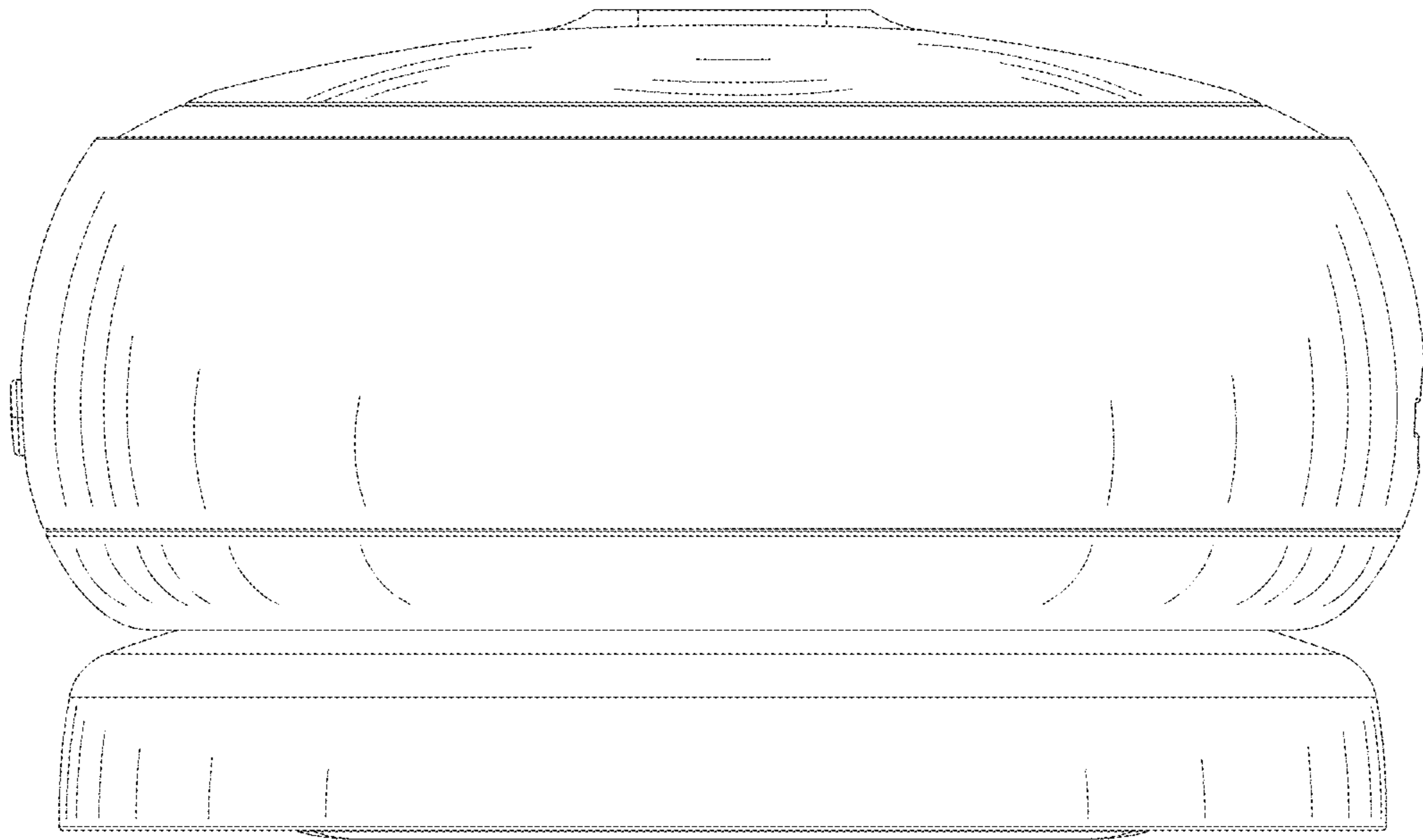


FIG. 6

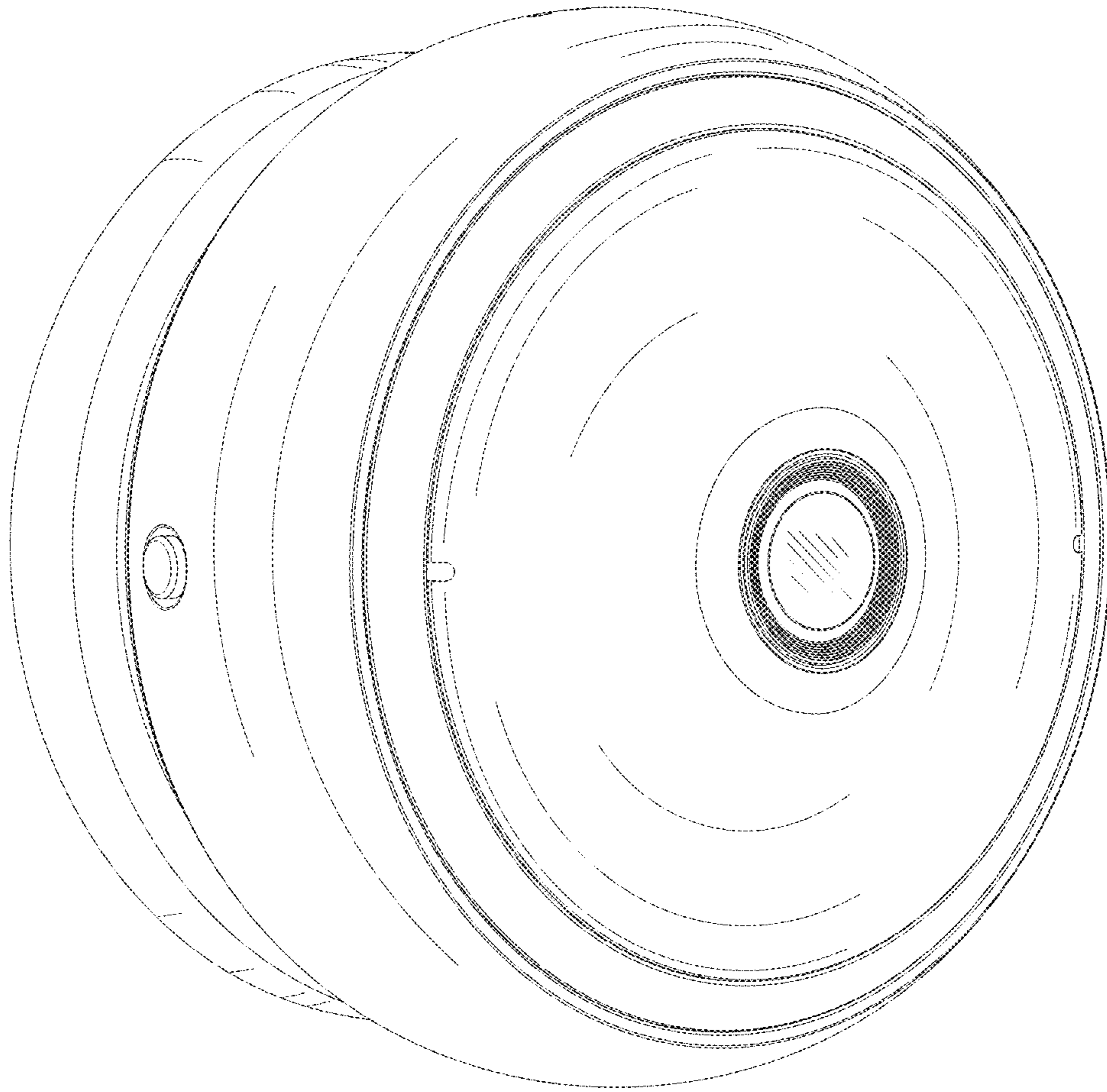


FIG. 7

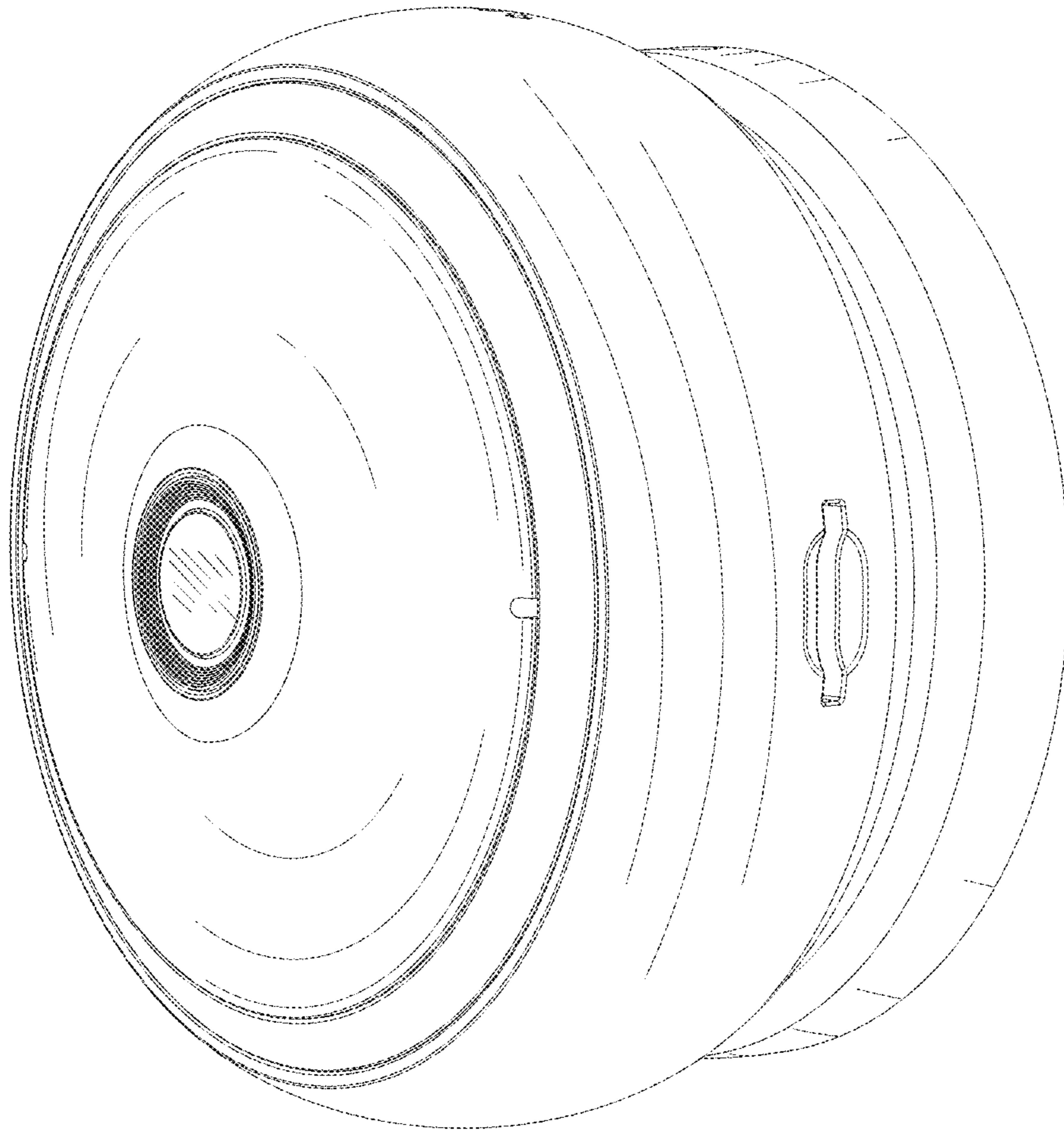


FIG. 8

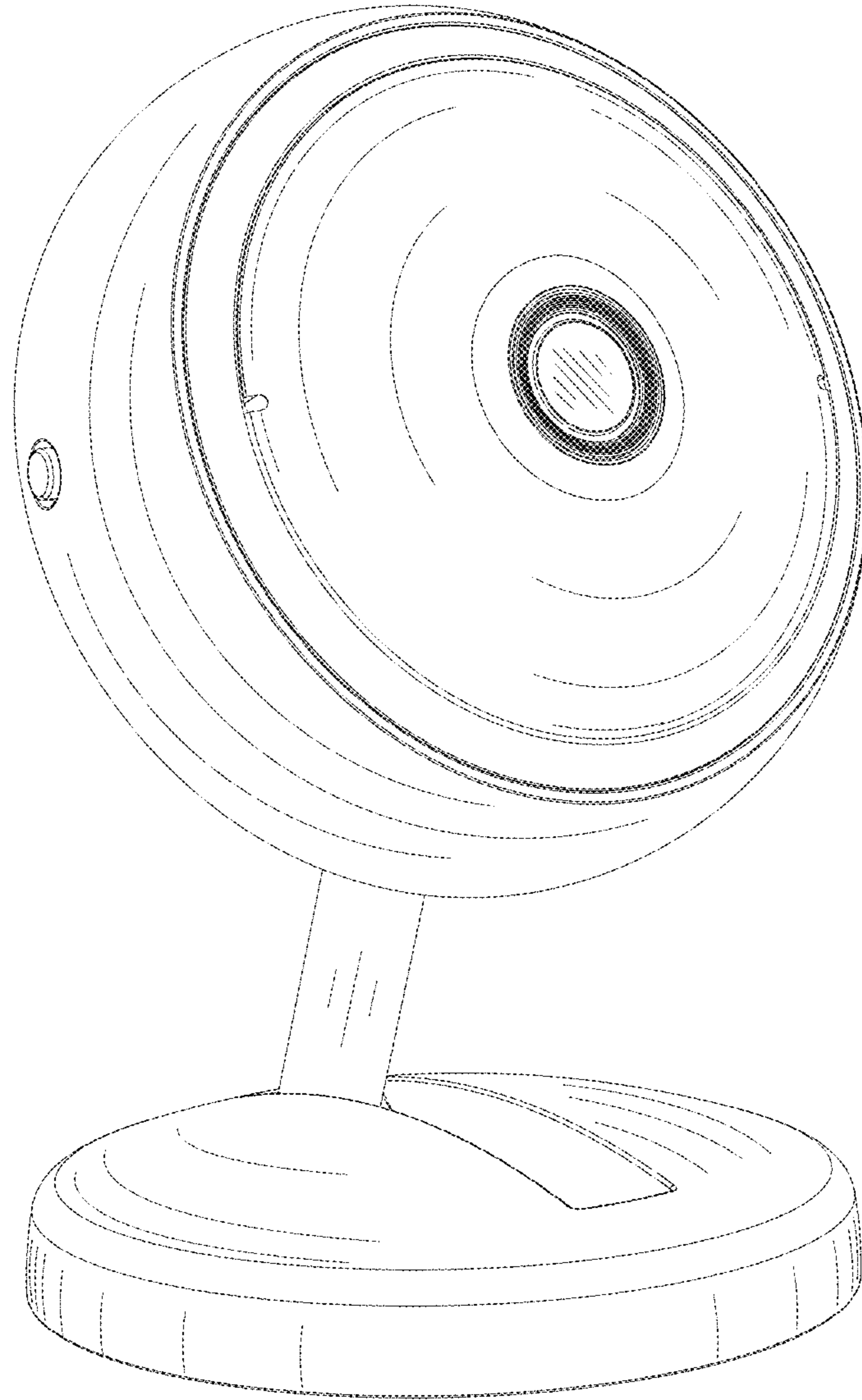


FIG. 9

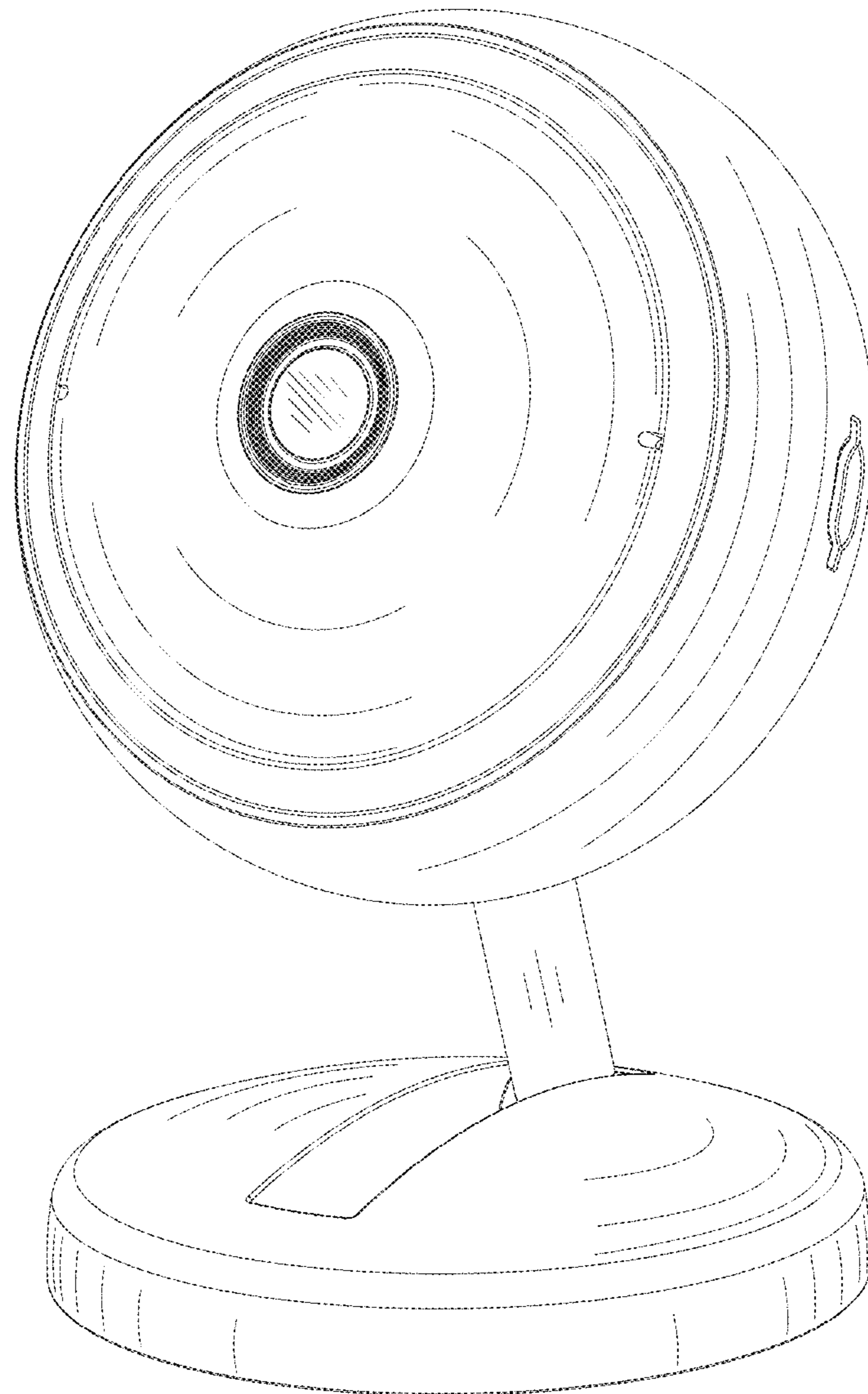


FIG. 10

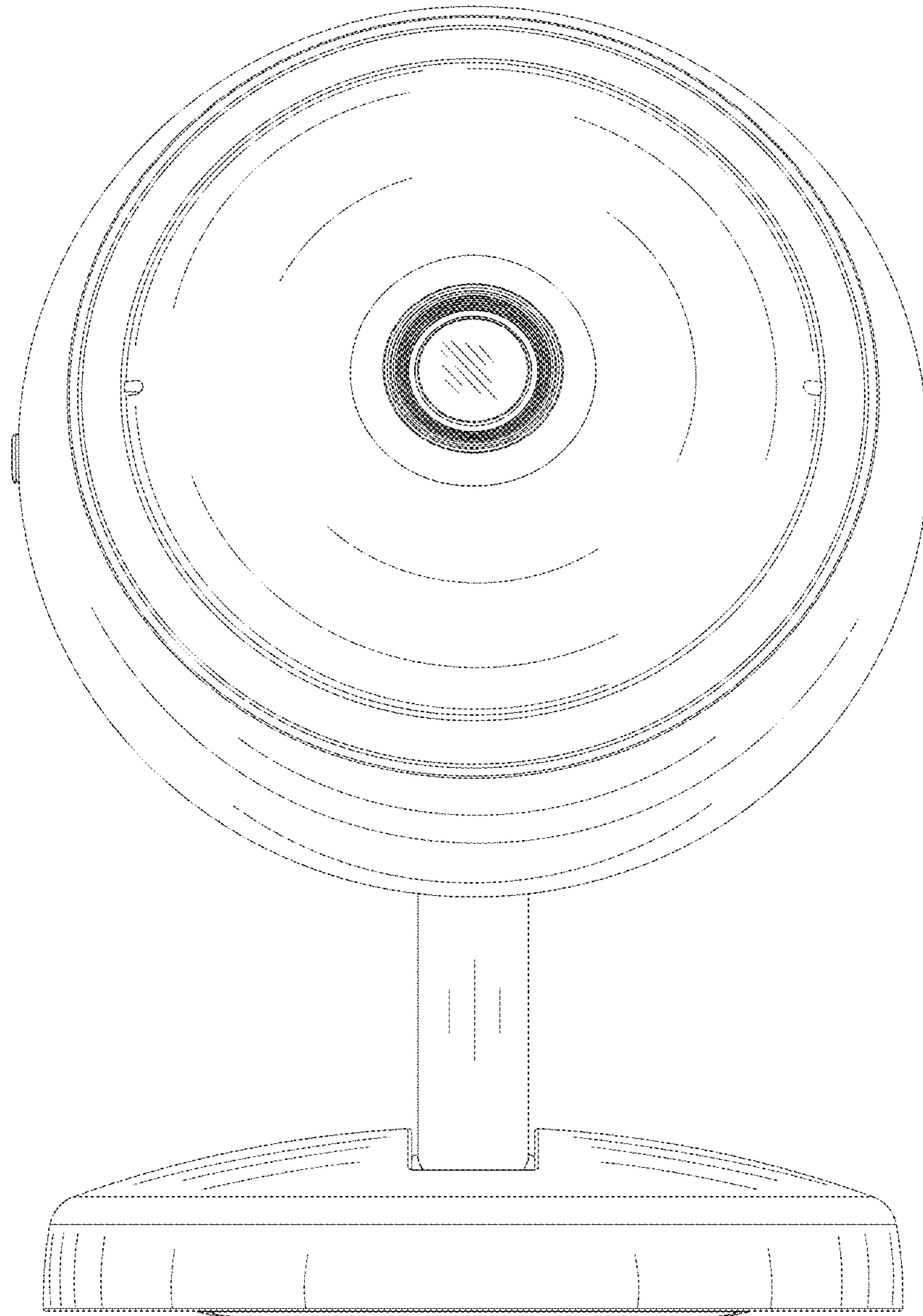


FIG. 11