



US00D986936S

(12) **United States Design Patent**
Zhang

(10) **Patent No.:** **US D986,936 S**

(45) **Date of Patent:** **** May 23, 2023**

(54) **CAMERA**

(71) Applicant: **Xiaolei Zhang**, Guangdong (CN)

(72) Inventor: **Xiaolei Zhang**, Guangdong (CN)

(**) Term: **15 Years**

(21) Appl. No.: **29/800,082**

(22) Filed: **Jul. 19, 2021**

(51) **LOC (14) Cl.** **16-01**

(52) **U.S. Cl.**
USPC **D16/203**

(58) **Field of Classification Search**
USPC D16/200, 202–206, 218, 219, 242
CPC G03B 17/02; G03B 19/04; G03B 17/56;
G03B 17/04; G03B 15/03; H04N 5/2251;
H04N 5/2252; H04N 5/2253; H04N
5/2254; H04N 7/181; H04N 7/183; H04N
7/18; H04N 23/50; H04N 23/51; H04N
23/54; H04N 23/55; H04N 23/63
See application file for complete search history.

(56) **References Cited**

U.S. PATENT DOCUMENTS

D691,187 S * 10/2013 Seo D16/203
D823,369 S * 7/2018 Wang D16/203
D827,691 S * 9/2018 Zhong D16/203
D857,078 S * 8/2019 Xue D16/203

D884,770 S * 5/2020 Xue D16/203
D900,190 S * 10/2020 Park D16/203
D940,224 S * 1/2022 Kishimoto D16/203
D940,226 S * 1/2022 Wang D16/203
D963,727 S * 9/2022 Lin D16/214
D965,663 S * 10/2022 Katori D16/203
D965,665 S * 10/2022 Zhang D16/203
D972,618 S * 12/2022 Li D16/203
D976,984 S * 1/2023 McManigal D16/203

* cited by examiner

Primary Examiner — Ramzi Almatrahi

(74) *Attorney, Agent, or Firm* — ScienBiziP, P.C.

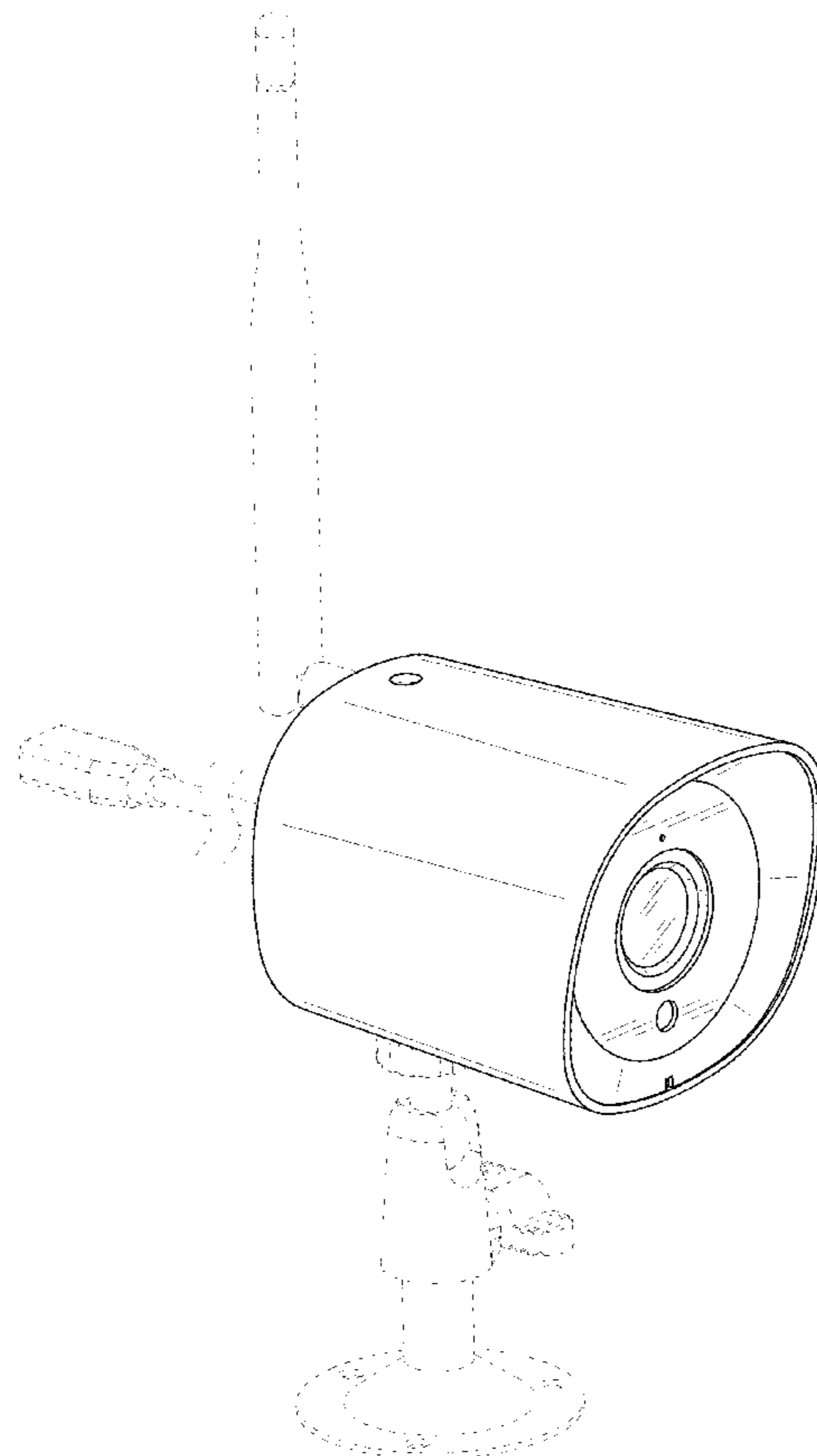
(57) **CLAIM**

The ornamental design for a camera, as shown and described.

DESCRIPTION

FIG. 1 is a top, front and left side perspective view of a camera showing my new design;
FIG. 2 is a front elevation view thereof;
FIG. 3 is a rear elevation view thereof;
FIG. 4 is a left side elevation view thereof;
FIG. 5 is a right side elevation view thereof;
FIG. 6 is a top plan view thereof; and,
FIG. 7 is a bottom plan view thereof.
The broken lines shown in the drawings are included for the purpose of illustrating portions of the camera that form no part of the claimed design.

1 Claim, 7 Drawing Sheets



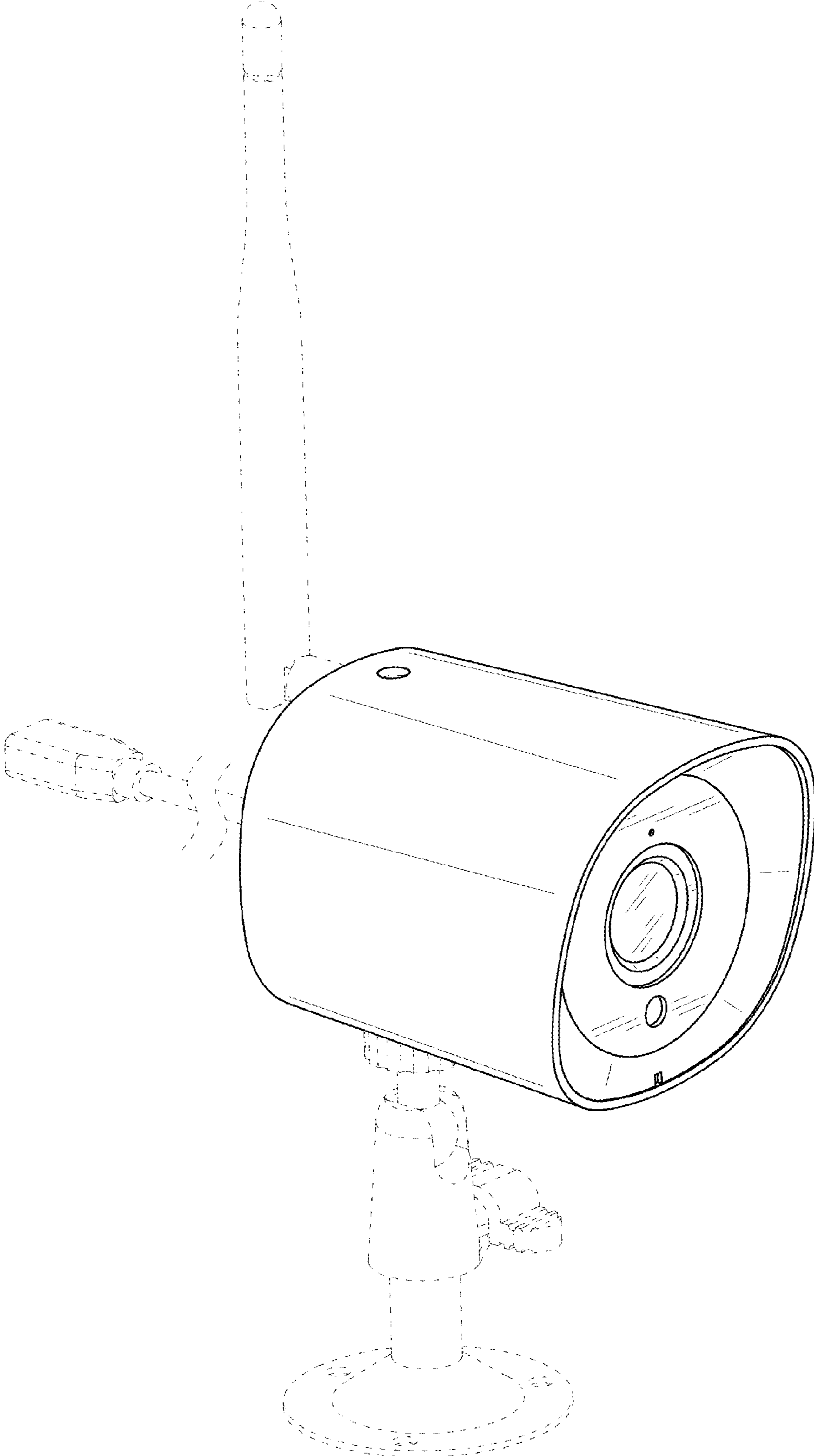


FIG. 1

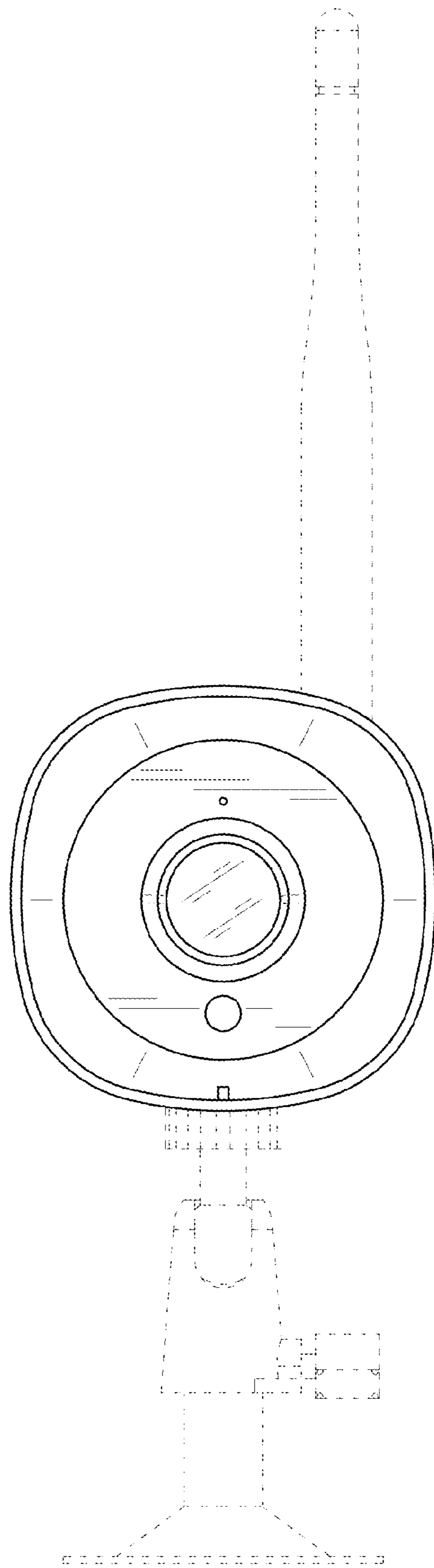


FIG. 2

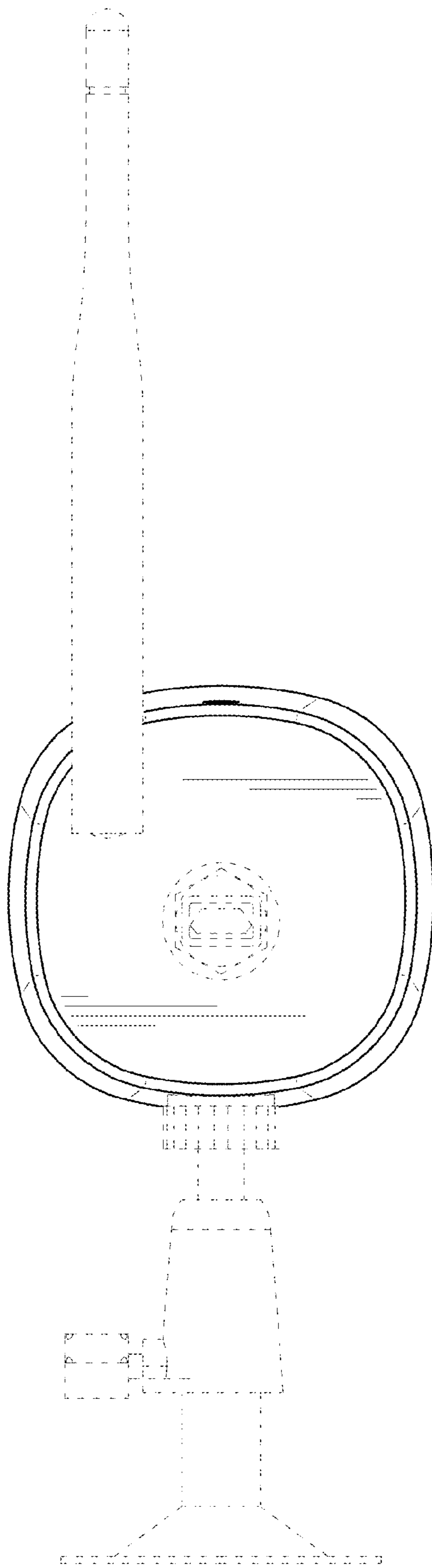


FIG. 3

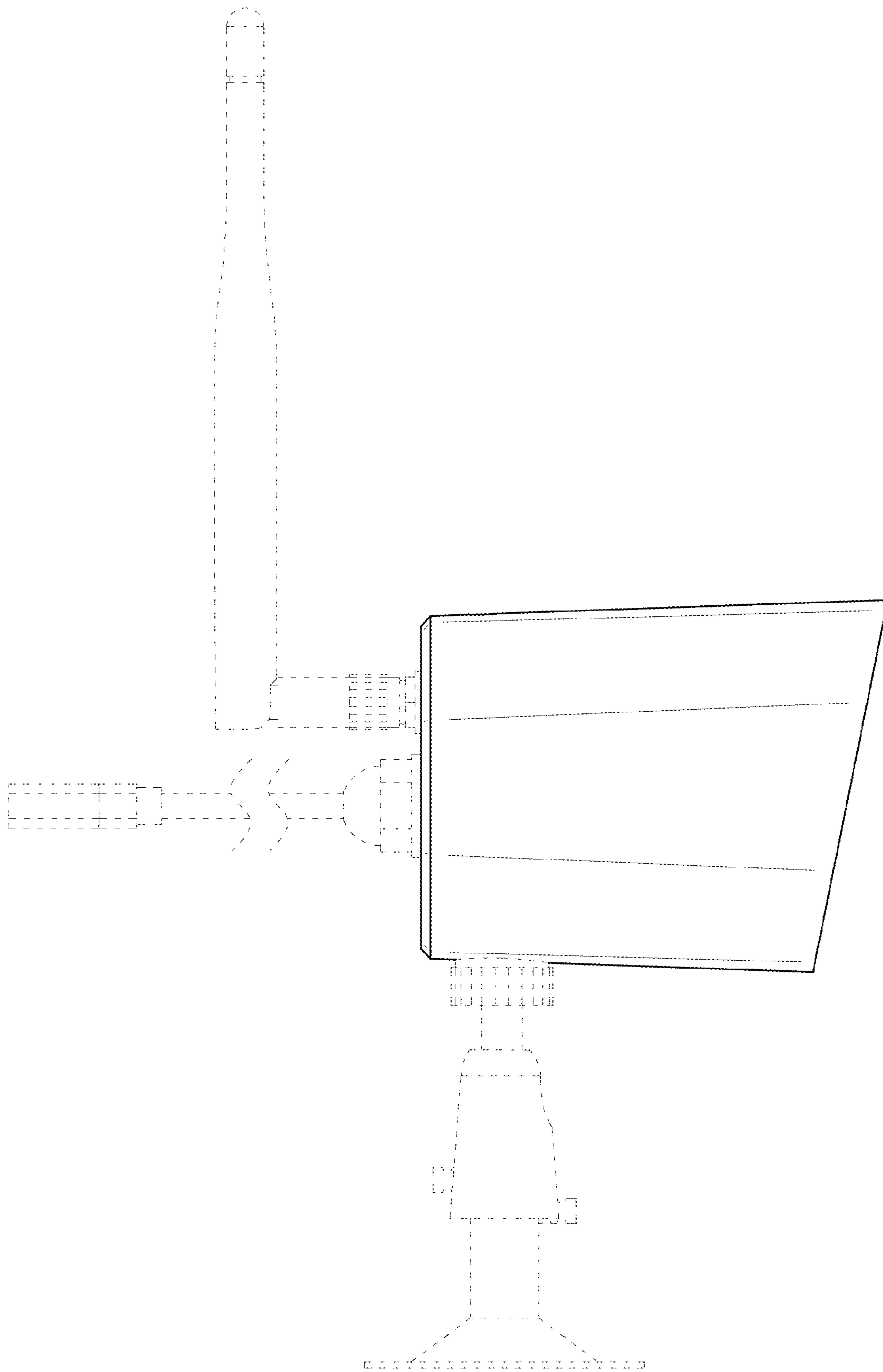


FIG. 4

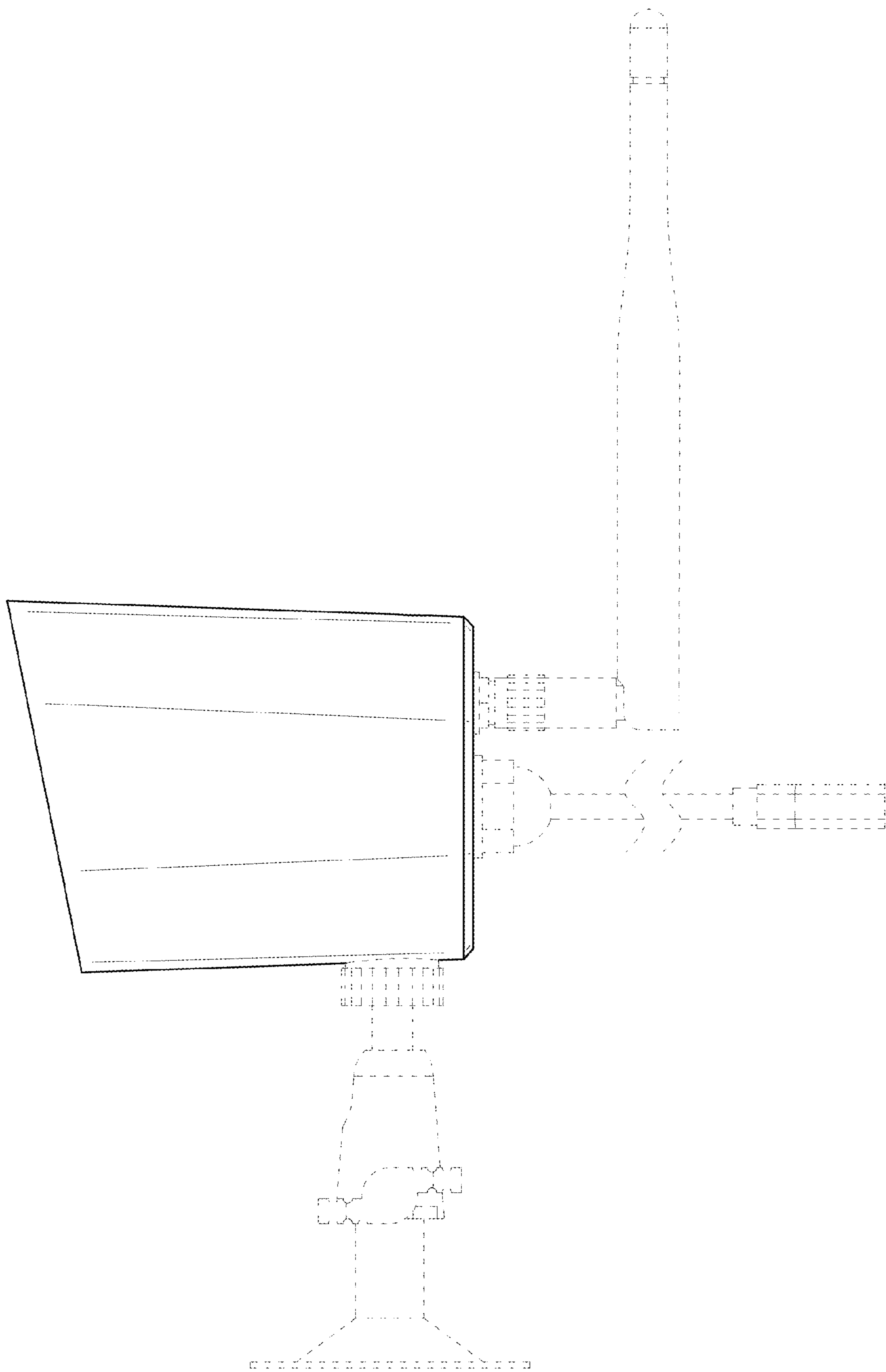


FIG. 5

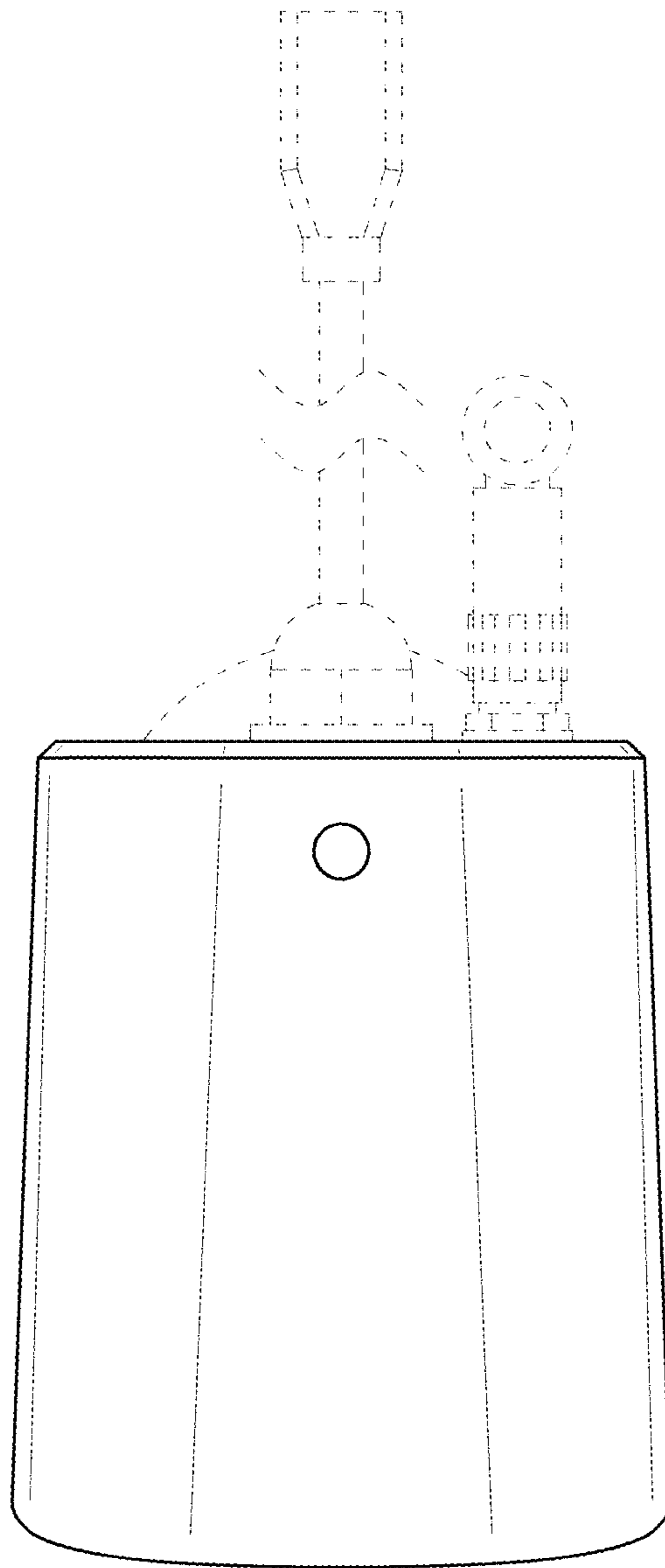


FIG. 6

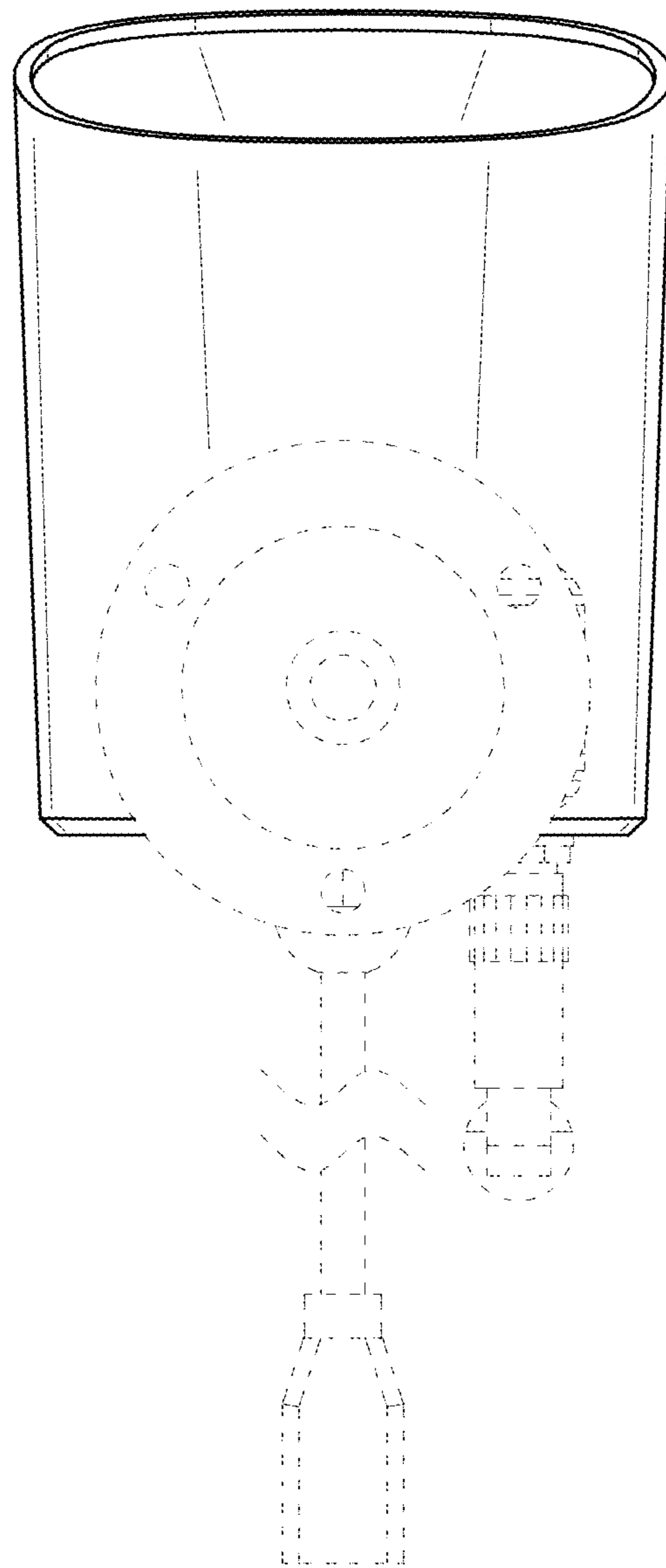


FIG. 7