



US00D986933S

(12) **United States Design Patent** (10) **Patent No.:** **US D986,933 S**  
**Looije et al.** (45) **Date of Patent:** **\*\* May 23, 2023**

(54) **MOLDING MACHINE PART**

(56) **References Cited**

(71) Applicant: **Husky Injection Molding Systems, Ltd., Bolton (CA)**

U.S. PATENT DOCUMENTS

(72) Inventors: **Adrian Peter Looije, Ontario (CA);  
Baltej Singh Pannu, Ontario (CA);  
Bruno Guiseppe Sodaro, Ontario (CA);  
Derek Robertson McCready, Mississauga (CA);  
Maxfield Paul Bradshaw, Ontario (CA)**

2,967,328 A \* 1/1961 Shelby ..... B29C 31/004  
D15/135  
4,207,051 A 6/1980 Wright et al.  
(Continued)

FOREIGN PATENT DOCUMENTS

(73) Assignee: **Husky Injection Molding Systems Ltd., Bolton (CA)**

CA 2741937 A1 1/2012  
CN 203765941 U 8/2014  
(Continued)

(\*\*) Term: **15 Years**

*Primary Examiner* — Richard E Chilcot

(21) Appl. No.: **29/799,878**

(74) *Attorney, Agent, or Firm* — Banner & Witcoff, Ltd.

(22) Filed: **Jul. 16, 2021**

(57) **CLAIM**

The ornamental design for a molding machine part, as shown and described.

**Related U.S. Application Data**

**DESCRIPTION**

(63) Continuation of application No. 35/508,427, filed on Jun. 4, 2019 (U.S. filing date under 35 U.S.C. 384),  
(Continued)

(51) **LOC (14) Cl.** ..... **15-09**

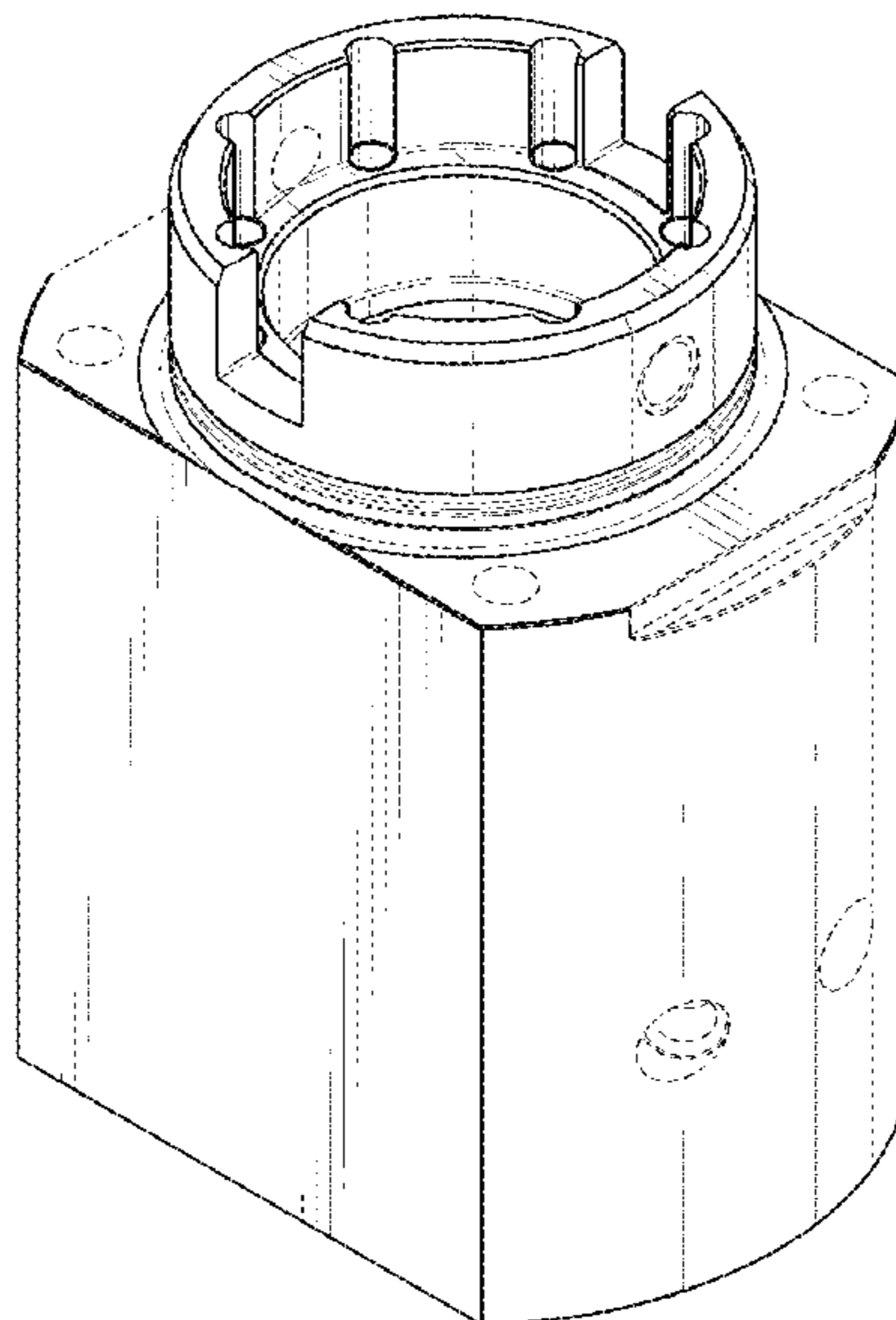
(52) **U.S. Cl.**  
USPC ..... **D15/135**

(58) **Field of Classification Search**  
USPC ..... D15/135-139; 65/260, 356, 357;  
83/845; 205/70, 164-169; 249/78, 79;  
407/42, 110, 115-117, 135, 146, 171,  
407/181, 218, 253-261, 363, 451.9, 471,  
407/542, 547, 548, 552, 556, 577,  
407/589-595; 264/220, 221; 428/71  
CPC . B29C 45/7312; B29C 45/33; B29C 45/2675;  
B29C 45/36; B29C 45/261; B29C  
2045/2683; B29K 2105/253; B29K  
2105/258; B29K 2995/0094; B29B 11/08  
See application file for complete search history.

FIG. 1 is a top perspective view of the claimed design for a molding machine part;  
FIG. 2 is a bottom perspective view thereof;  
FIG. 3 is a front view thereof;  
FIG. 4 is a back view thereof;  
FIG. 5 is a left view thereof;  
FIG. 6 is a right view thereof;  
FIG. 7 is a top view thereof; and,  
FIG. 8 is a bottom view thereof.

In the drawing, the sets of parallel lines indicate surface shading. The broken lines immediately adjacent to the shaded area depict boundaries of the claimed design and form no part thereof. The broken lines showing the remainder of the molding machine part depict environmental structure and form no part of the claimed design. The unshaded regions within the shaded area that are demarcated by broken lines form no part of the claimed design.

**1 Claim, 8 Drawing Sheets**



**Related U.S. Application Data**

and having an international filing date of Jun. 4, 2019, now abandoned.

(52) **U.S. Cl.**  
CPC ..... *B29C 45/33* (2013.01)

(56) **References Cited**

U.S. PATENT DOCUMENTS

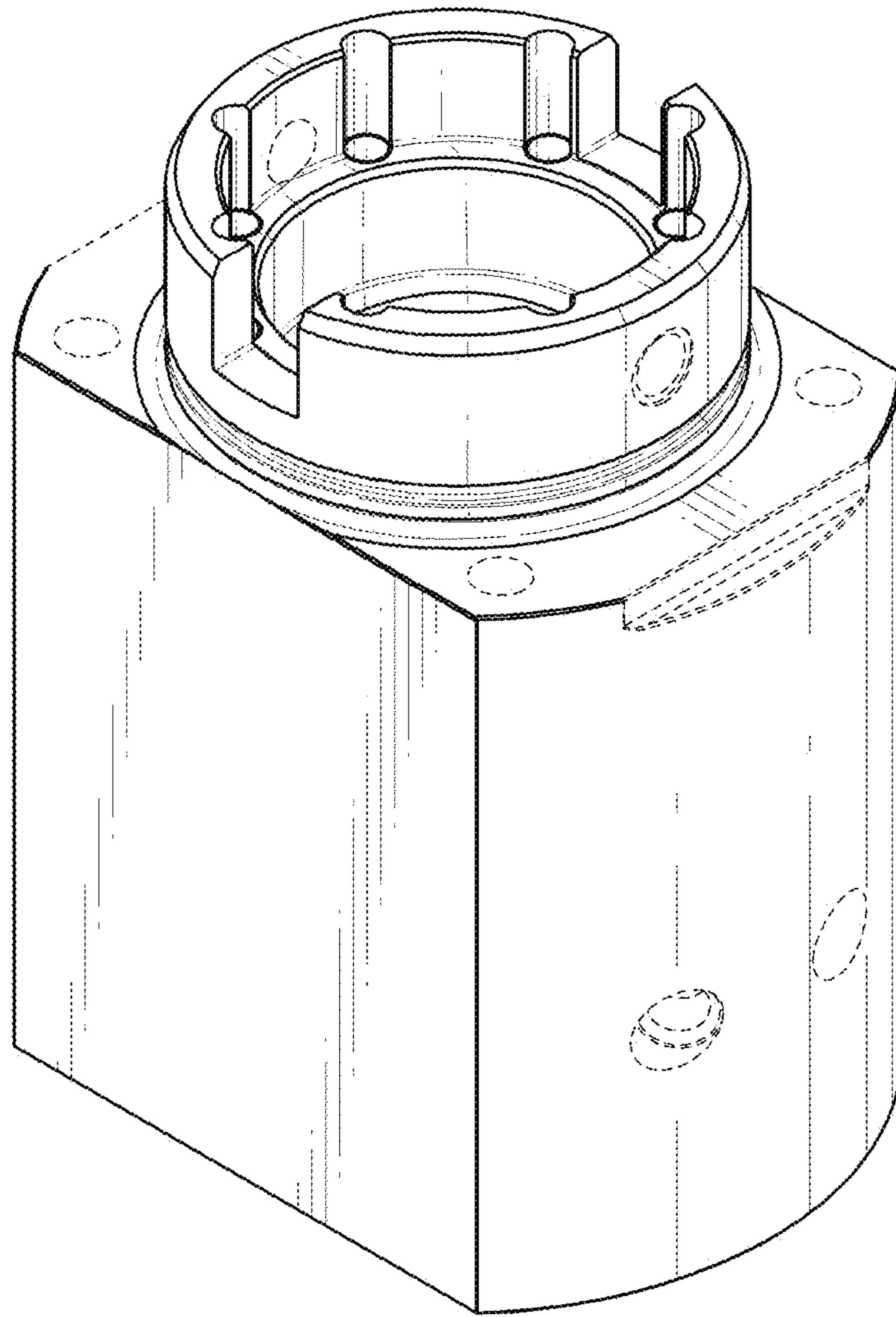
4,345,893 A \* 8/1982 Prince ..... B29C 33/20  
425/451.2  
4,425,091 A \* 1/1984 Prince ..... B22D 17/10  
D15/135  
4,521,179 A 6/1985 Gellert  
4,530,654 A 7/1985 Rose  
4,733,801 A 3/1988 Scammell  
4,775,130 A 10/1988 Von Holdt  
4,856,977 A 8/1989 Von Holdt  
D324,392 S 3/1992 Wilhelm  
5,232,718 A 8/1993 Miyazawa et al.  
D341,602 S \* 11/1993 Faig ..... D15/135  
5,271,875 A 12/1993 Appleton et al.  
5,312,243 A 5/1994 Mertz  
5,443,381 A 8/1995 Gellert  
5,466,147 A 11/1995 Appleton et al.  
D364,882 S 12/1995 Junkers  
5,494,433 A 2/1996 Gellert  
5,562,519 A 10/1996 Loewenton  
5,575,056 A 11/1996 Nakagawa  
5,753,275 A 5/1998 Takahashi et al.  
5,780,068 A 7/1998 Shinohara  
6,015,283 A 1/2000 Mattia  
6,017,209 A 1/2000 Gellert et al.  
6,030,202 A 2/2000 Gellert et al.  
6,099,785 A 8/2000 Schweigert et al.  
6,120,274 A \* 9/2000 Gerig ..... B29C 45/14377  
425/127  
6,168,740 B1 1/2001 Koch et al.  
6,176,700 B1 1/2001 Gellert  
6,235,230 B1 \* 5/2001 Puniello ..... B29C 45/2708  
425/577  
D460,976 S \* 7/2002 Gross ..... D15/136  
6,569,370 B1 5/2003 Amin et al.  
D519,530 S 4/2006 Thysell et al.  
7,128,865 B2 10/2006 Martin  
7,361,009 B2 4/2008 Li  
7,377,767 B2 5/2008 Dubuis et al.  
7,381,049 B2 6/2008 Li et al.  
D595,319 S 6/2009 Park  
7,575,429 B2 8/2009 Mai et al.  
7,645,132 B2 1/2010 McCready  
7,762,802 B2 7/2010 Mai  
7,854,876 B2 \* 12/2010 Gaiser ..... B29C 45/26  
425/572  
D631,073 S 1/2011 Papa et al.  
D682,651 S 5/2013 McRoberts et al.  
D689,352 S 9/2013 Cecil  
D699,769 S 2/2014 Witz et al.  
D699,770 S 2/2014 Kmoch et al.  
D700,224 S 2/2014 Kmoch et al.  
D714,368 S 9/2014 Kmoch et al.  
D717,845 S 11/2014 Wachsmann  
D717,846 S 11/2014 Wachsmann  
9,004,906 B2 4/2015 Lausenhammer  
D730,416 S 5/2015 Jacovich et al.  
9,272,453 B1 3/2016 Keir et al.  
9,608,362 B2 3/2017 Jelak et al.  
D815,162 S \* 4/2018 Sakaguchi ..... D15/135  
D815,671 S \* 4/2018 Terabe ..... D15/135  
D824,435 S \* 7/2018 Terabe ..... D15/138  
D876,500 S \* 2/2020 Klaczynski ..... B29C 43/24  
D15/122  
D929,594 S \* 8/2021 Sin ..... D24/155

2001/0038163 A1 11/2001 Matysek  
2002/0122841 A1 9/2002 Joseph  
2002/0146483 A1 10/2002 Mai et al.  
2004/0123640 A1 7/2004 Rooney  
2004/0247736 A1 12/2004 Elliot  
2005/0236729 A1 10/2005 Arott  
2006/0118999 A1 6/2006 Cooper et al.  
2006/0283210 A1 12/2006 Dubuis et al.  
2007/0092596 A1 4/2007 Li  
2007/0212443 A1 9/2007 Li et al.  
2008/0026239 A1 1/2008 Balboni et al.  
2008/0268086 A1 10/2008 Kmoch et al.  
2008/0268088 A1 10/2008 Kmoch et al.  
2008/0268090 A1 10/2008 Kmoch et al.  
2008/0286396 A1 \* 11/2008 Hein ..... B29C 45/4225  
264/40.5  
2009/0020915 A1 1/2009 Mai et al.  
2009/0022843 A1 1/2009 Mai et al.  
2009/0022845 A1 1/2009 Mai et al.  
2009/0092701 A1 \* 4/2009 Schad ..... B29C 45/32  
425/185  
2009/0155404 A1 6/2009 Mai  
2009/0160076 A1 \* 6/2009 Looije ..... B29C 45/322  
264/40.5  
2009/0214694 A1 8/2009 Mai  
2010/0183763 A1 7/2010 Babin et al.  
2012/0038076 A1 2/2012 Lausenhammer et al.  
2013/0029004 A1 1/2013 Looije  
2013/0142902 A1 6/2013 Papa et al.  
2013/0216643 A1 8/2013 Papa  
2013/0236590 A1 9/2013 Jacovich et al.  
2013/0243897 A1 9/2013 McCready et al.  
2013/0243899 A1 9/2013 Babin et al.  
2014/0010909 A1 1/2014 McCready  
2015/0069662 A1 3/2015 Mai et al.  
2015/0174792 A1 6/2015 Lausenhammer  
2015/0352766 A1 \* 12/2015 Hontheim ..... B29C 45/1756  
425/150  
2015/0360404 A1 12/2015 Kmoch et al.  
2015/0375426 A1 \* 12/2015 Looije ..... B29C 33/38  
425/539  
2016/0059458 A1 3/2016 Keir et al.  
2016/0193769 A1 7/2016 Rodinsky  
2017/0001352 A1 1/2017 Kunz  
2018/0162031 A1 6/2018 Mai  
2019/0160719 A1 5/2019 Plumpton et al.  
2021/0170653 A1 \* 6/2021 Papa ..... B29C 45/33  
2022/0055276 A1 \* 2/2022 Pannu ..... B29C 45/2675

FOREIGN PATENT DOCUMENTS

CN 204367306 U 6/2015  
CN 205705102 U 11/2016  
CN 106926417 A 7/2017  
EP 0688656 A1 12/1995  
EP 0743158 A1 11/1996  
EP 2032329 A1 3/2009  
FR 2817793 A1 6/2002  
FR 2833510 A1 6/2003  
GB 1035620 A 7/1966  
JP 9029784 A 2/1997  
KR 1423162 B1 7/2014  
WO 1989000911 A1 2/1989  
WO 1992000178 A1 1/1992  
WO 2007101351 A1 9/2007  
WO 2009012559 A1 1/2009  
WO 2009103146 A1 8/2009  
WO 2012019304 A1 2/2012  
WO 2012114177 A1 8/2012  
WO 2014186884 A1 11/2014  
WO 2017215801 A1 12/2017  
WO 2018023249 A1 2/2018  
WO 2018098564 A1 6/2018  
WO 2018107273 A1 6/2018  
WO 2018232499 A1 12/2018

\* cited by examiner



**FIG. 1**

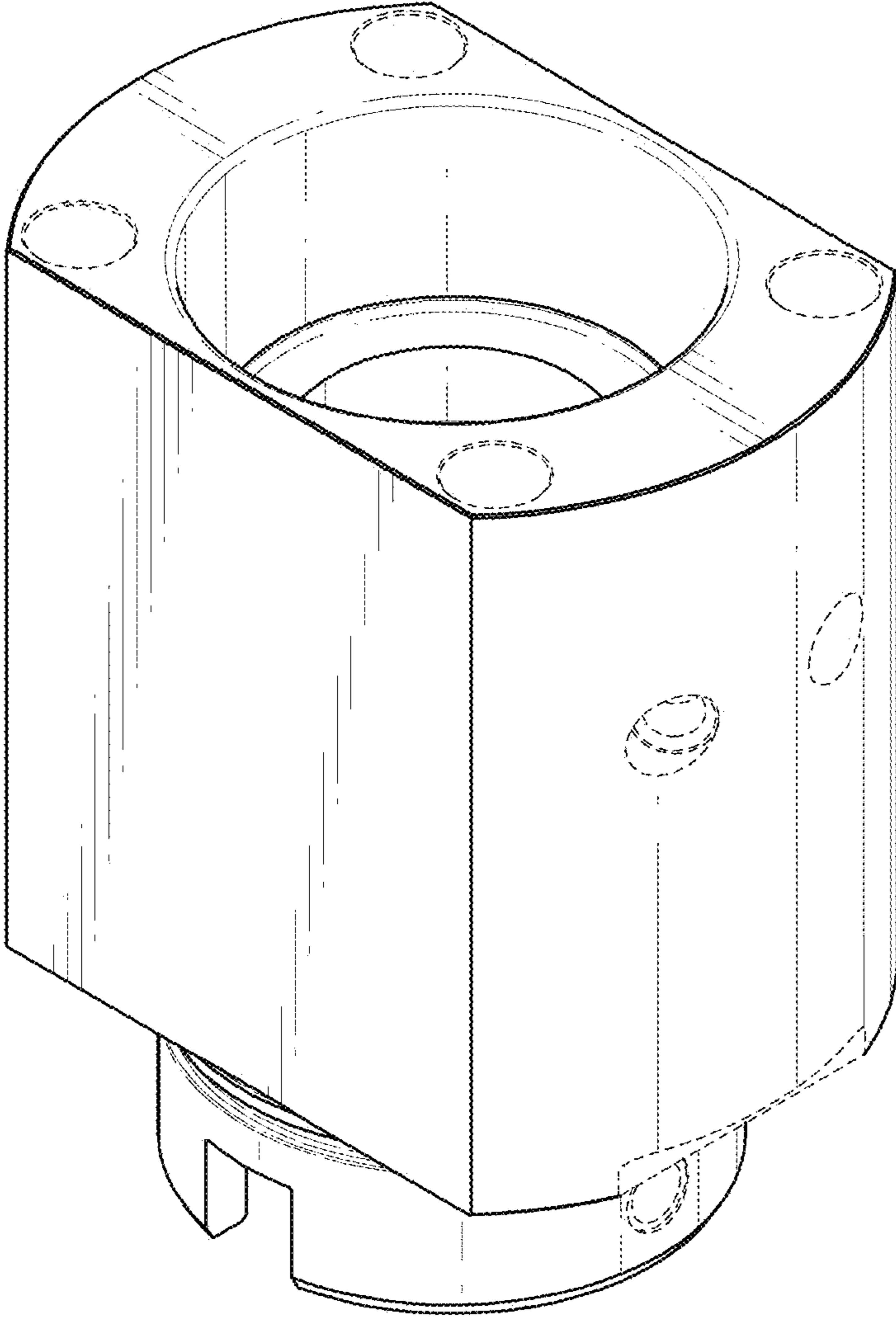
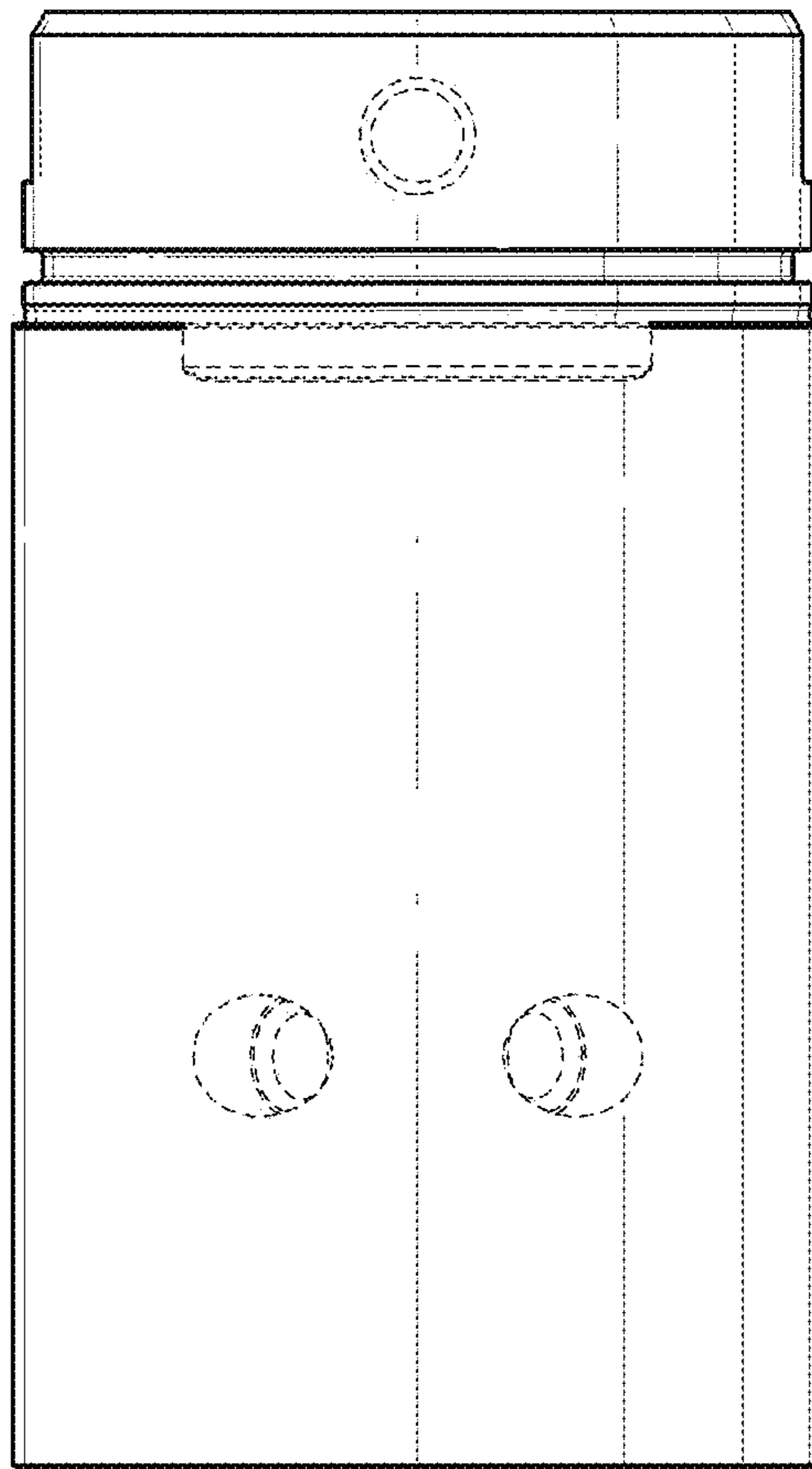
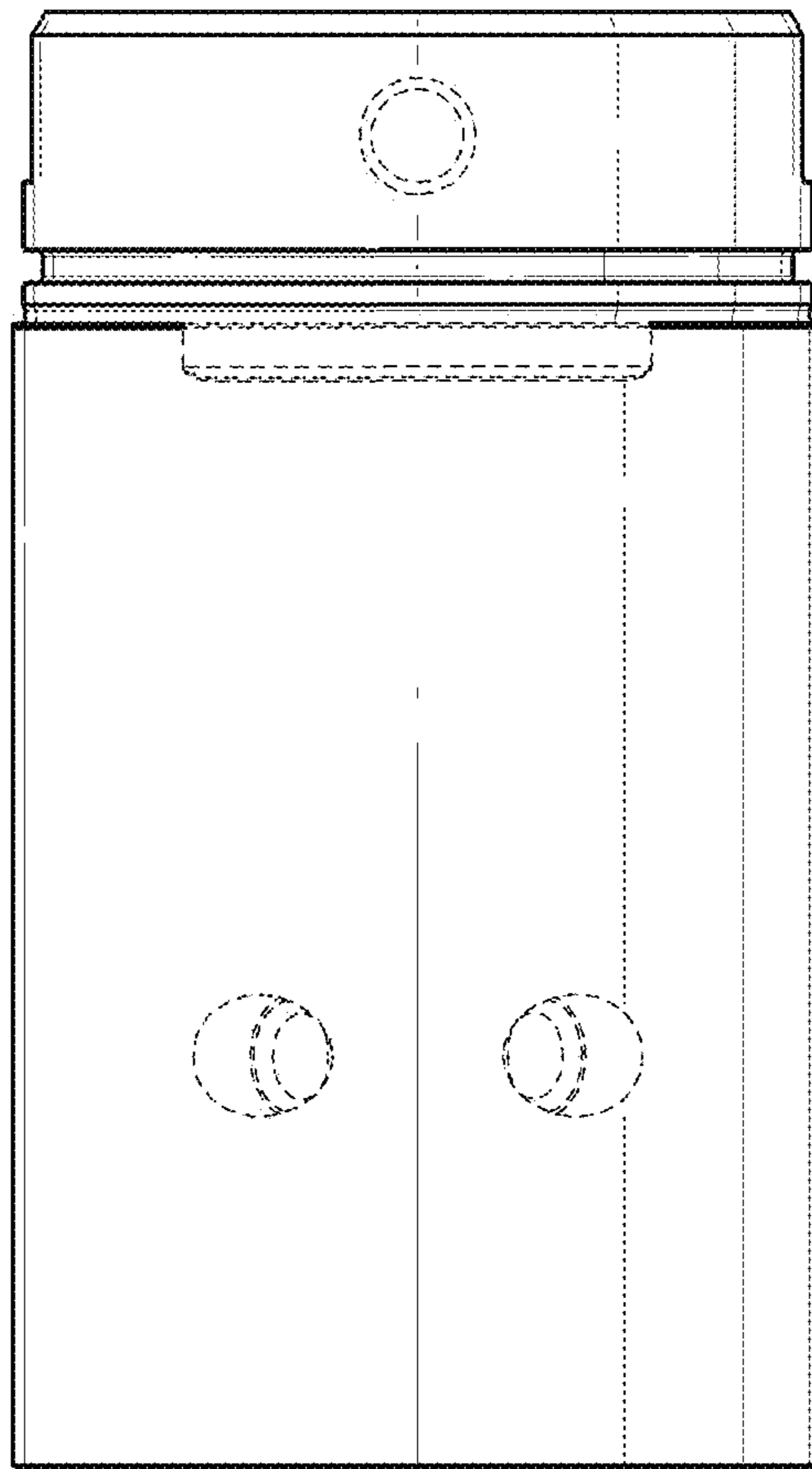


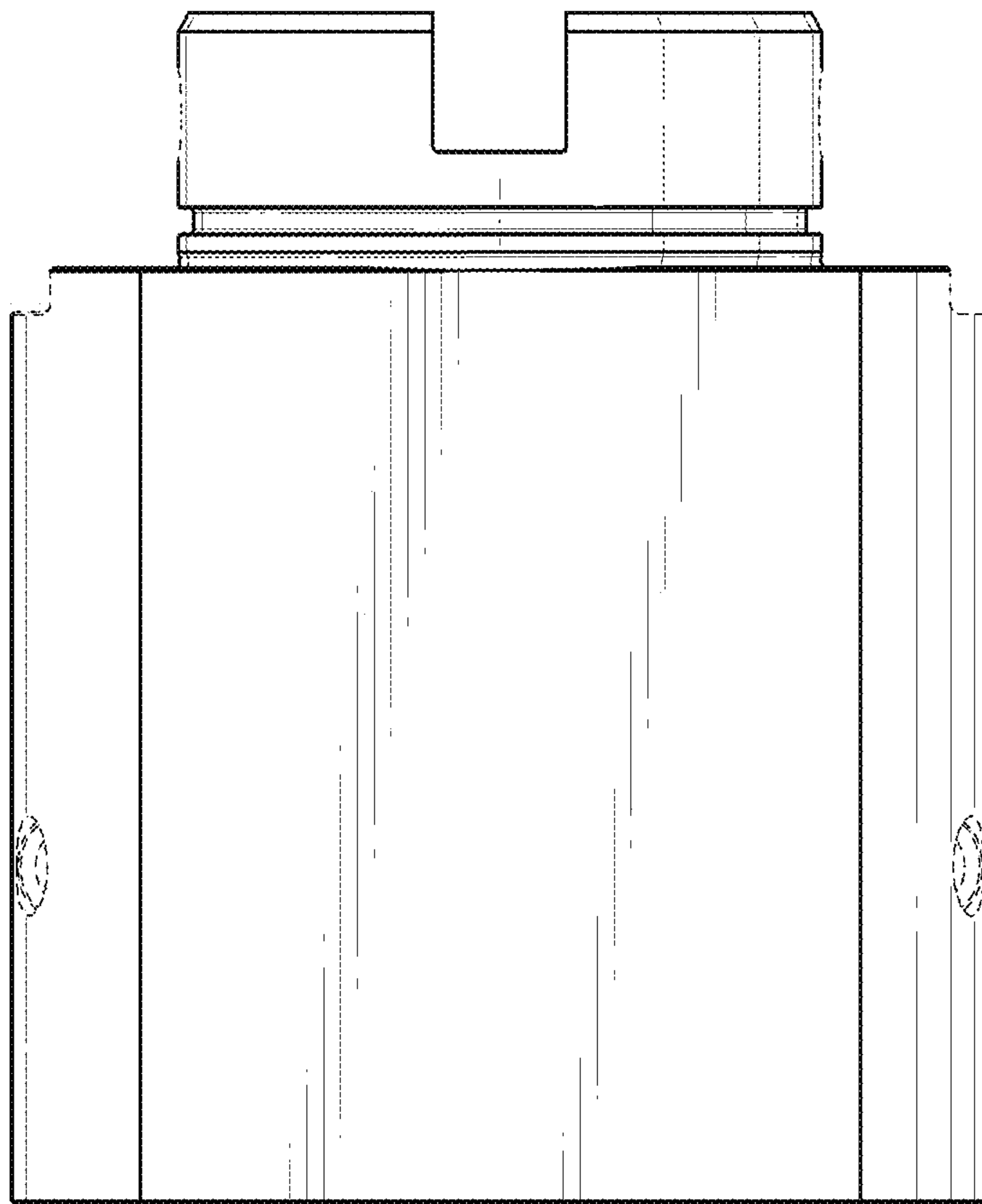
FIG. 2



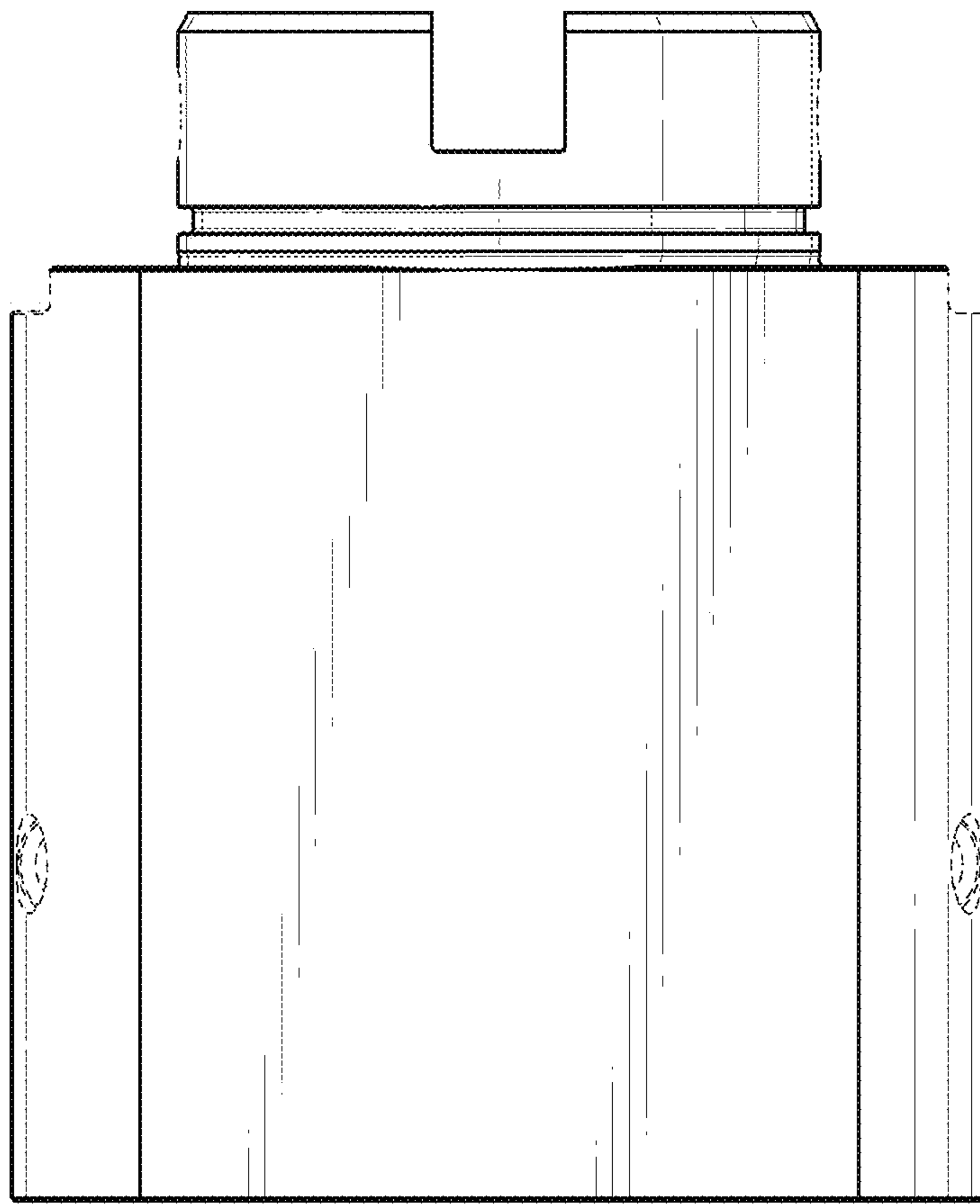
*FIG. 3*



*FIG. 4*

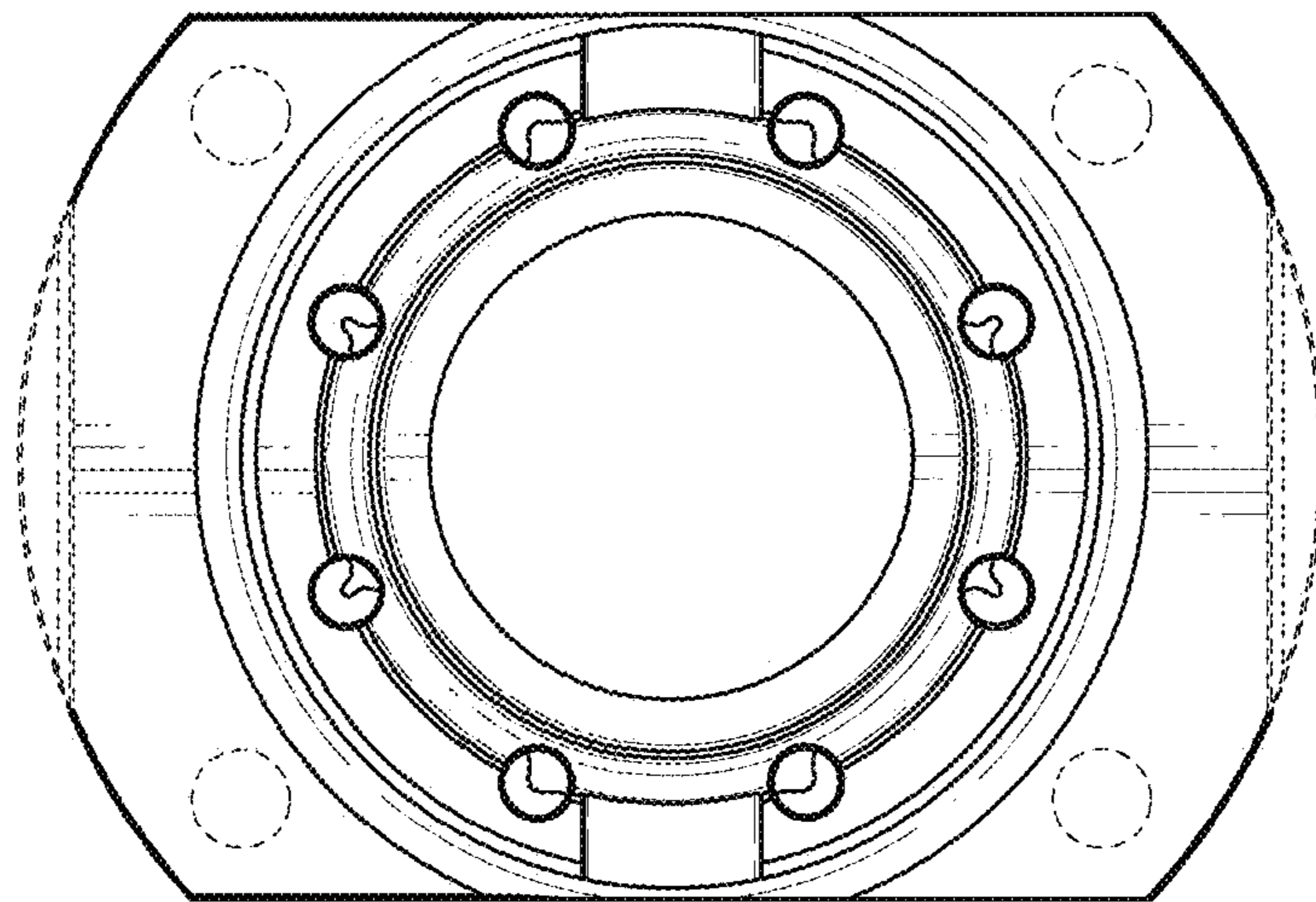


*FIG. 5*

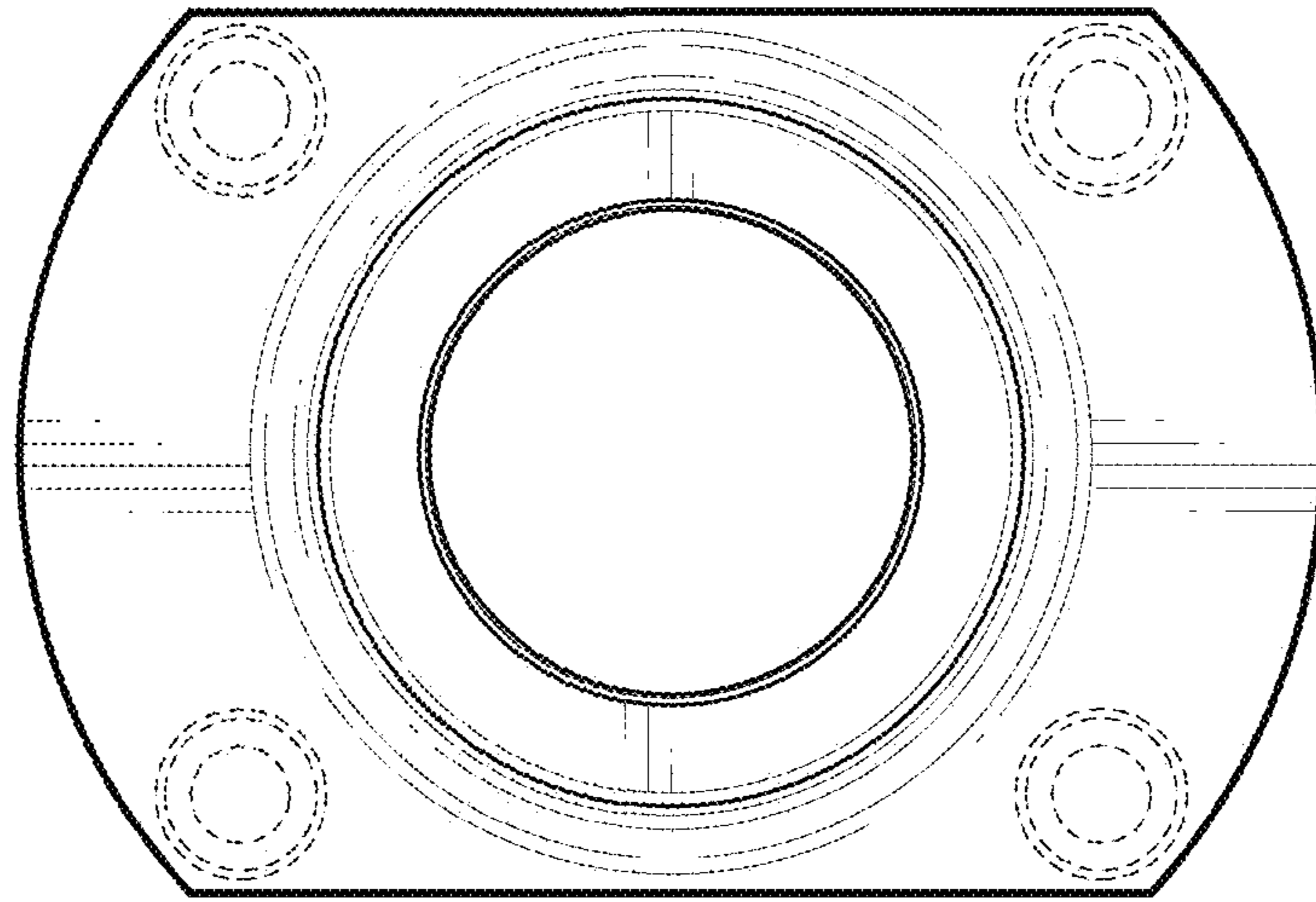


*FIG. 6*





*FIG. 7*



*FIG. 8*

UNITED STATES PATENT AND TRADEMARK OFFICE  
**CERTIFICATE OF CORRECTION**

PATENT NO. : D986,933 S  
APPLICATION NO. : 29/799878  
DATED : May 23, 2023  
INVENTOR(S) : Adrian Peter Looije et al.

Page 1 of 1

It is certified that error appears in the above-identified patent and that said Letters Patent is hereby corrected as shown below:

On the Title Page

Item [71]

Delete "Husky Injection Molding Systems, Ltd.," and insert --Husky Injection Molding Systems  
Ltd.--

Signed and Sealed this  
Fourth Day of July, 2023



Katherine Kelly Vidal  
*Director of the United States Patent and Trademark Office*