



US00D986932S

(12) **United States Design Patent**
Lin et al.

(10) **Patent No.:** **US D986,932 S**

(45) **Date of Patent:** **** May 23, 2023**

(54) **LASER ENGRAVING MACHINE**
(71) Applicant: **SHENZHEN ATOMSTACK TECHNOLOGIES CO., LTD,**
Shenzhen (CN)
(72) Inventors: **Huigang Lin,** Shenzhen (CN); **Yun He,**
Shenzhen (CN); **Zebin Li,** Shenzhen
(CN)
(73) Assignee: **SHENZHEN ATOMSTACK TECHNOLOGIES CO., LTD,**
Shenzhen (CN)

(**) Term: **15 Years**

(21) Appl. No.: **29/816,914**

(22) Filed: **Nov. 26, 2021**

(51) **LOC (14) Cl.** **15-09**

(52) **U.S. Cl.**
USPC **D15/122; D18/57**

(58) **Field of Classification Search**
USPC D8/98; D15/122, 127, 135, 144, 144.1,
D15/144.2, 199; D18/34.3, 50, 53, 55,
D18/57
CPC B23K 26/0853; B23K 26/361; B23K
26/0613; B41C 1/05
See application file for complete search history.

(56) **References Cited**

U.S. PATENT DOCUMENTS

D798,349 S * 9/2017 Li D15/122
D810,156 S * 2/2018 Lin D15/135
D827,705 S * 9/2018 Gosselin B23K 26/38
D18/50

D896,288 S * 9/2020 Jiang D15/127
D917,585 S * 4/2021 Okuma D15/122
D917,586 S * 4/2021 Okuma D15/122
D918,276 S * 5/2021 Okuma D15/122
D920,397 S * 5/2021 Okuma D15/122
D920,398 S * 5/2021 Okuma D15/122
D921,068 S * 6/2021 Okuma D15/122
D931,348 S * 9/2021 Zou D15/144
D950,614 S * 5/2022 Kida D10/46
D957,517 S * 7/2022 Li D18/57
D976,295 S * 1/2023 Ouyang D15/144

* cited by examiner

Primary Examiner — Michael C Stout
Assistant Examiner — Fritzgerald L Butac

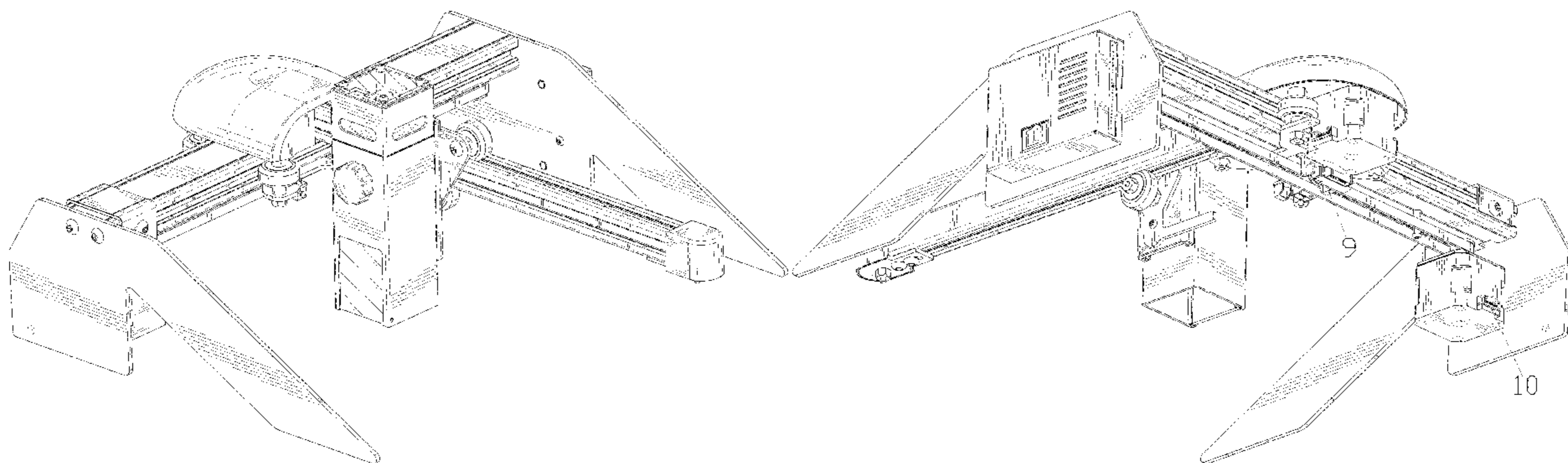
(57) **CLAIM**

The ornamental design for a laser engraving machine, as shown and described.

DESCRIPTION

FIG. 1 is a perspective view of a laser engraving machine showing our new design;
FIG. 2 is another perspective view thereof;
FIG. 3 is a front elevational view thereof;
FIG. 4 is a rear elevational view thereof;
FIG. 5 is a left side elevational view thereof;
FIG. 6 is a right side elevational view thereof;
FIG. 7 is a top plan view thereof;
FIG. 8 is a bottom plan view thereof;
FIG. 9 is an enlarged view of portion 9 shown in FIG. 2; and,
FIG. 10 is an enlarged view of portion 10 shown in FIG. 2.
The broken lines in the drawings depict portions of the laser engraving machine that form no part of the claimed design.

1 Claim, 10 Drawing Sheets



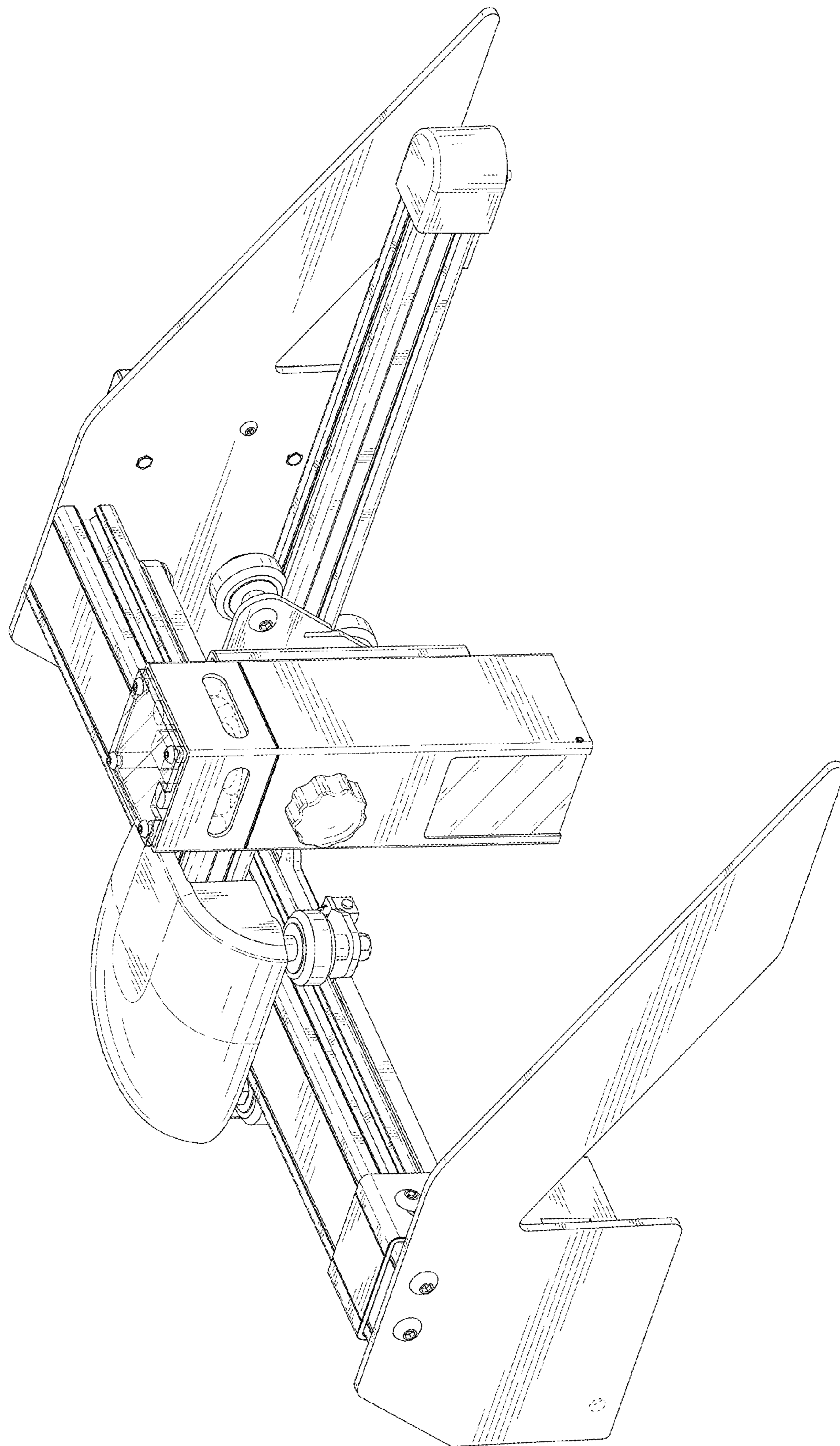


FIG. 1

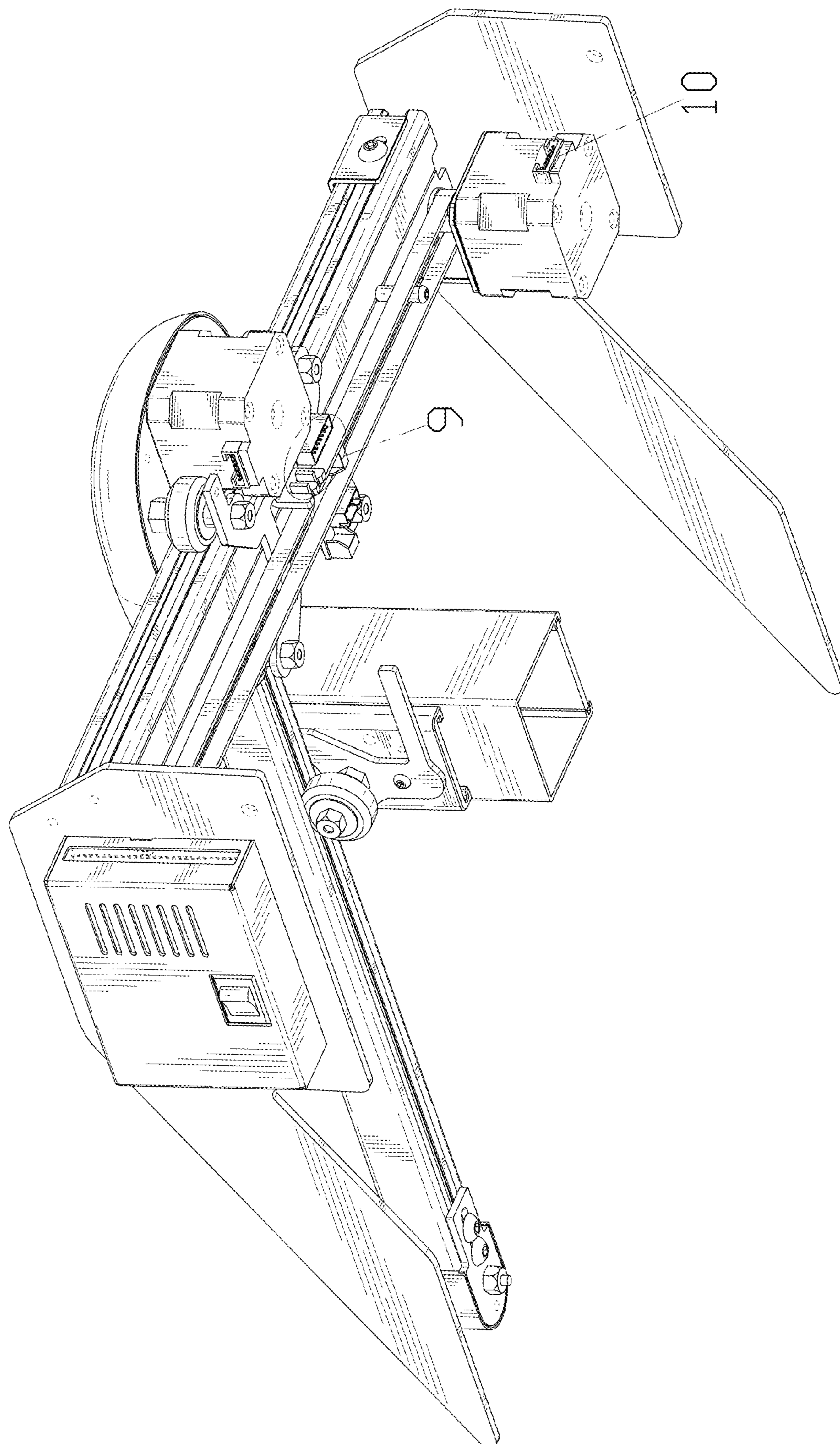


FIG. 2

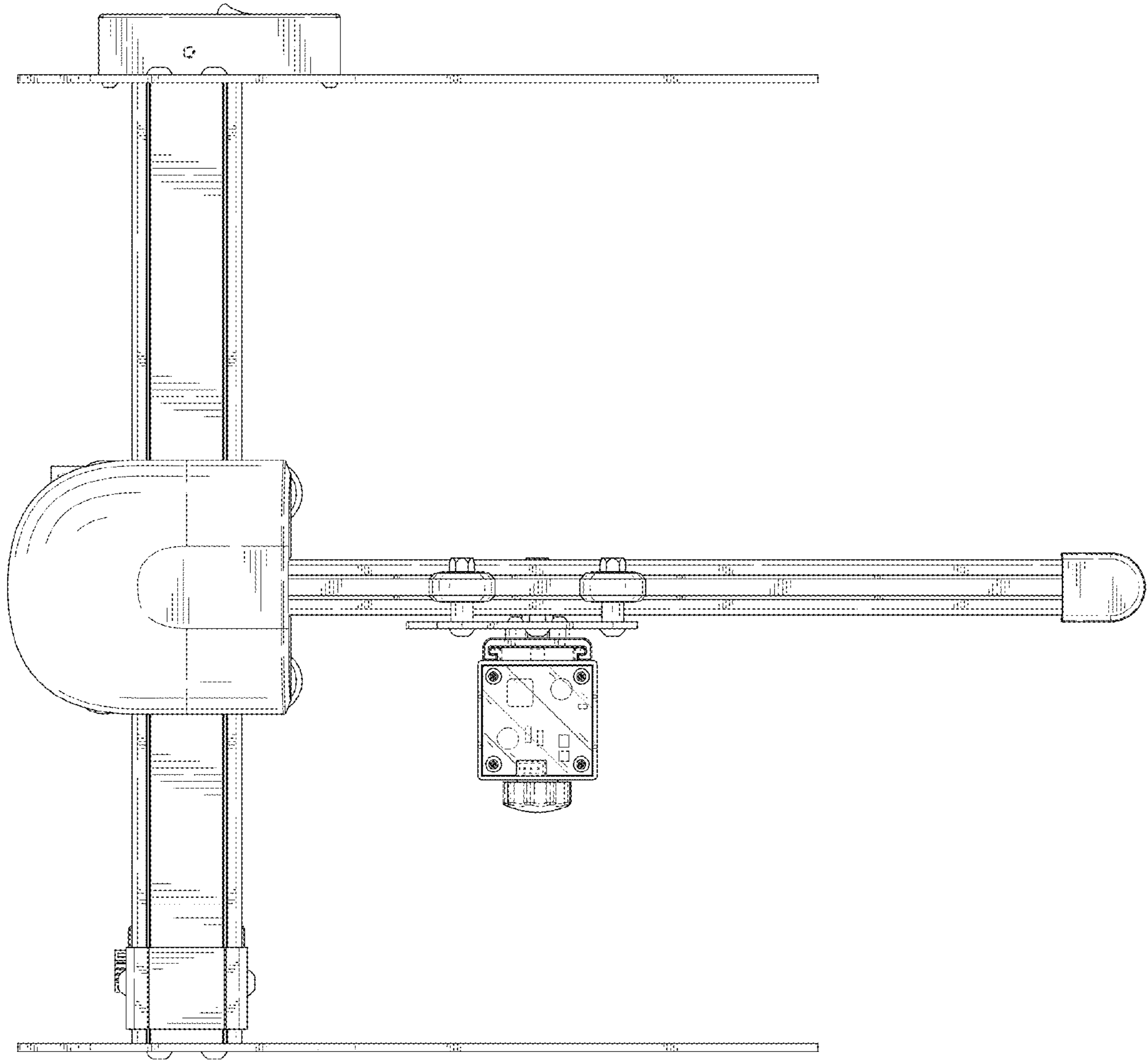


FIG. 3

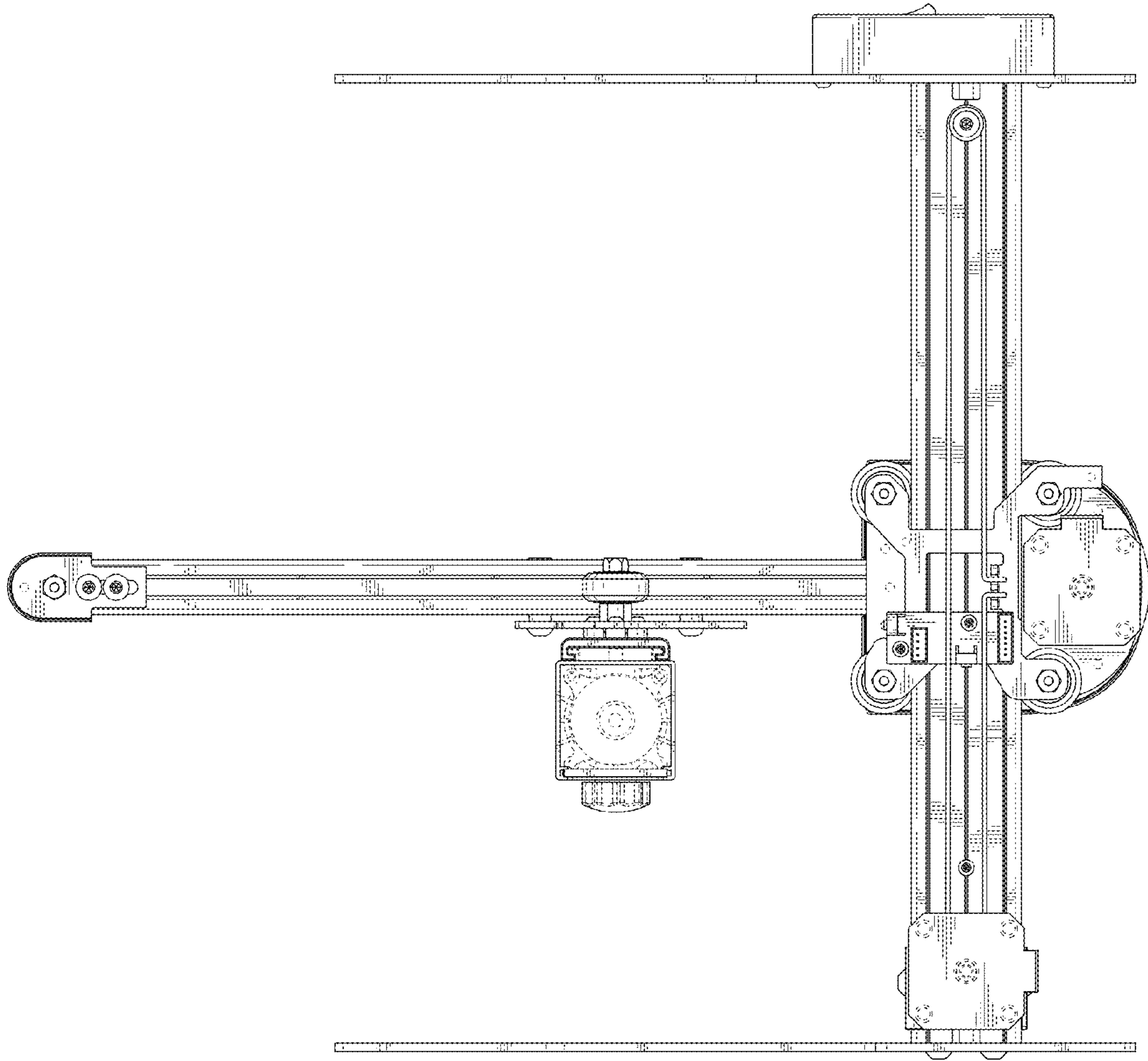


FIG. 4

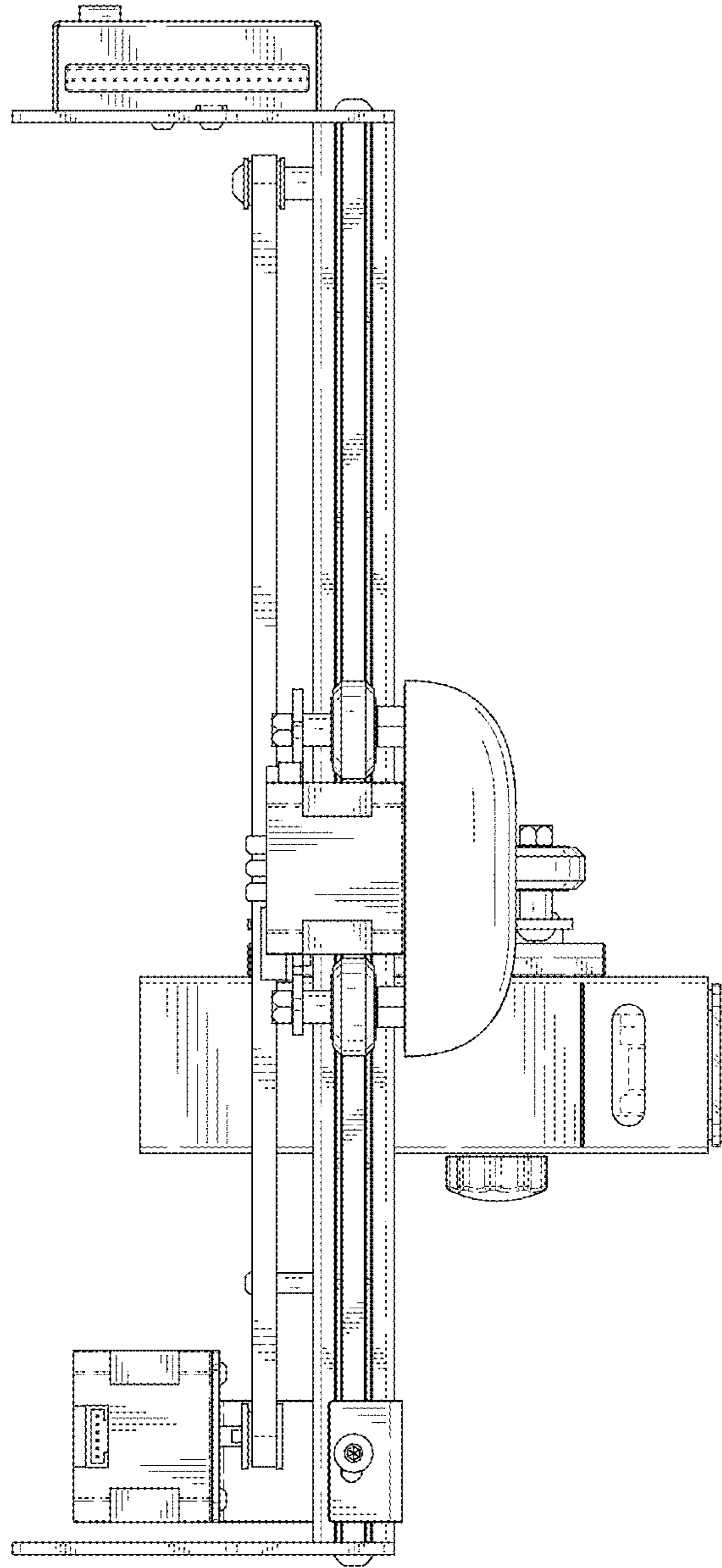


FIG. 5

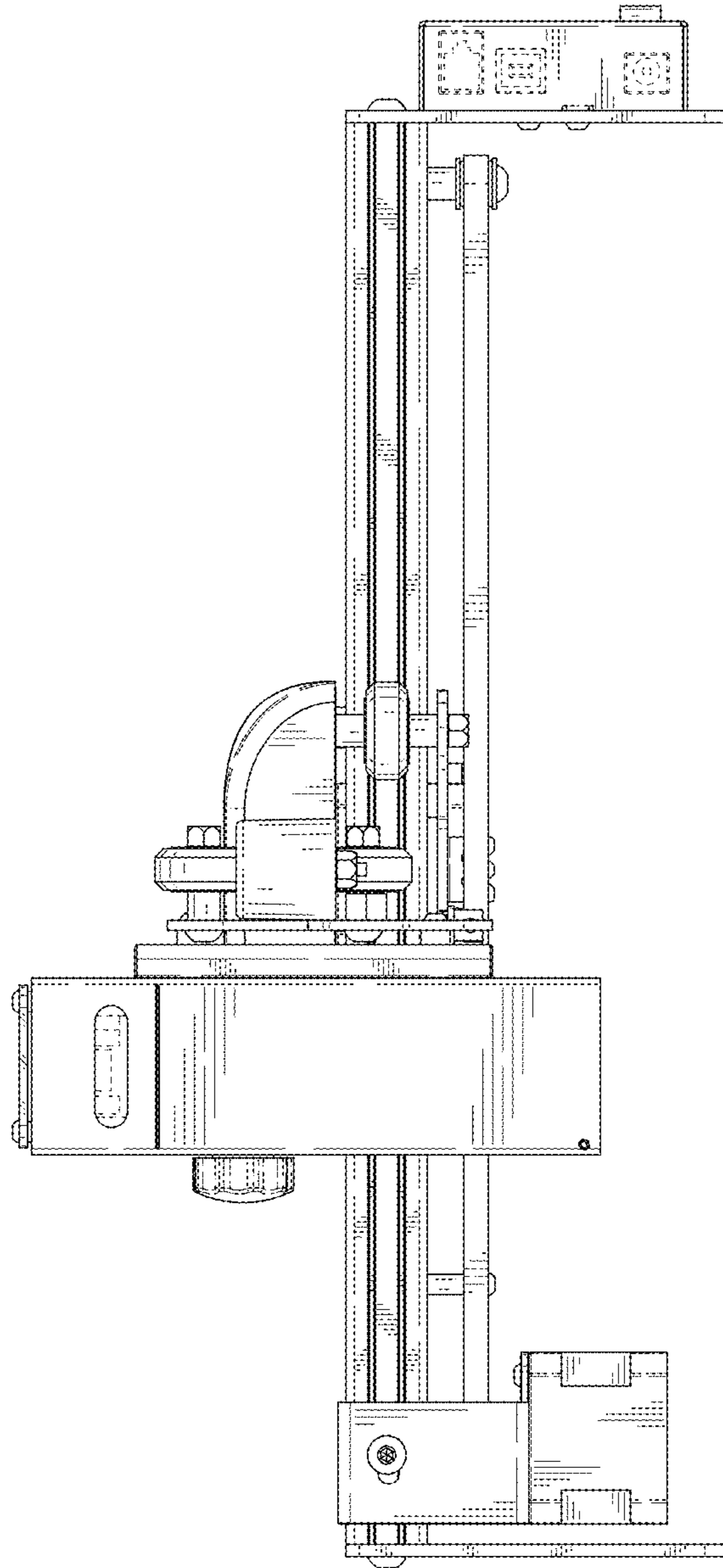


FIG. 6

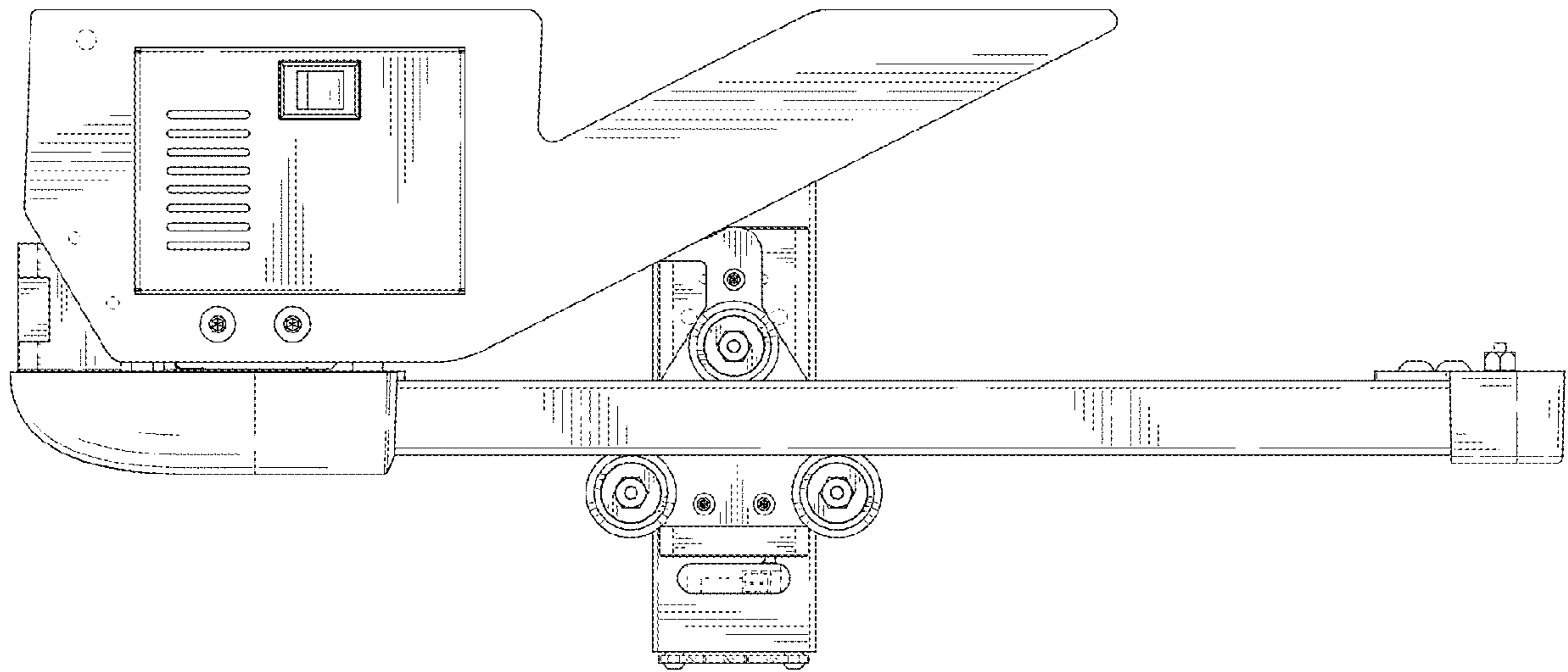


FIG. 7

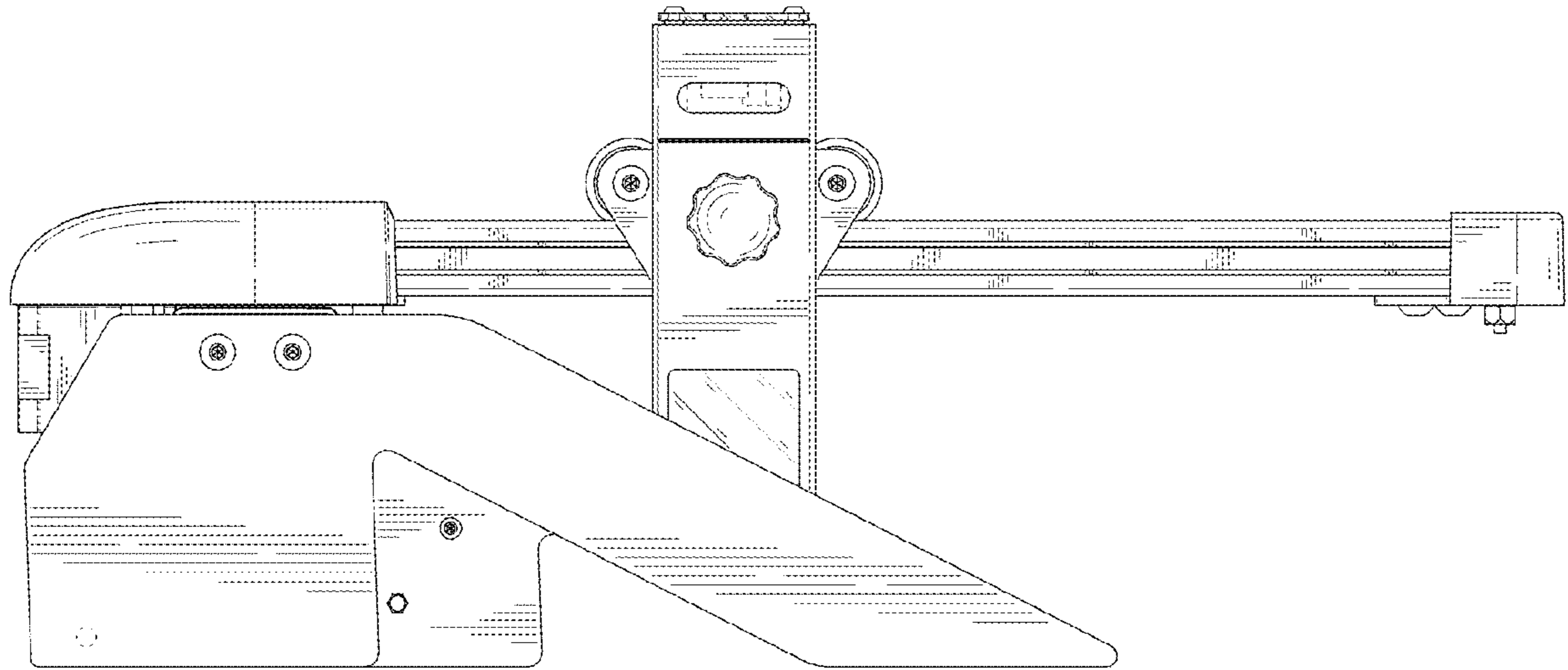


FIG. 8

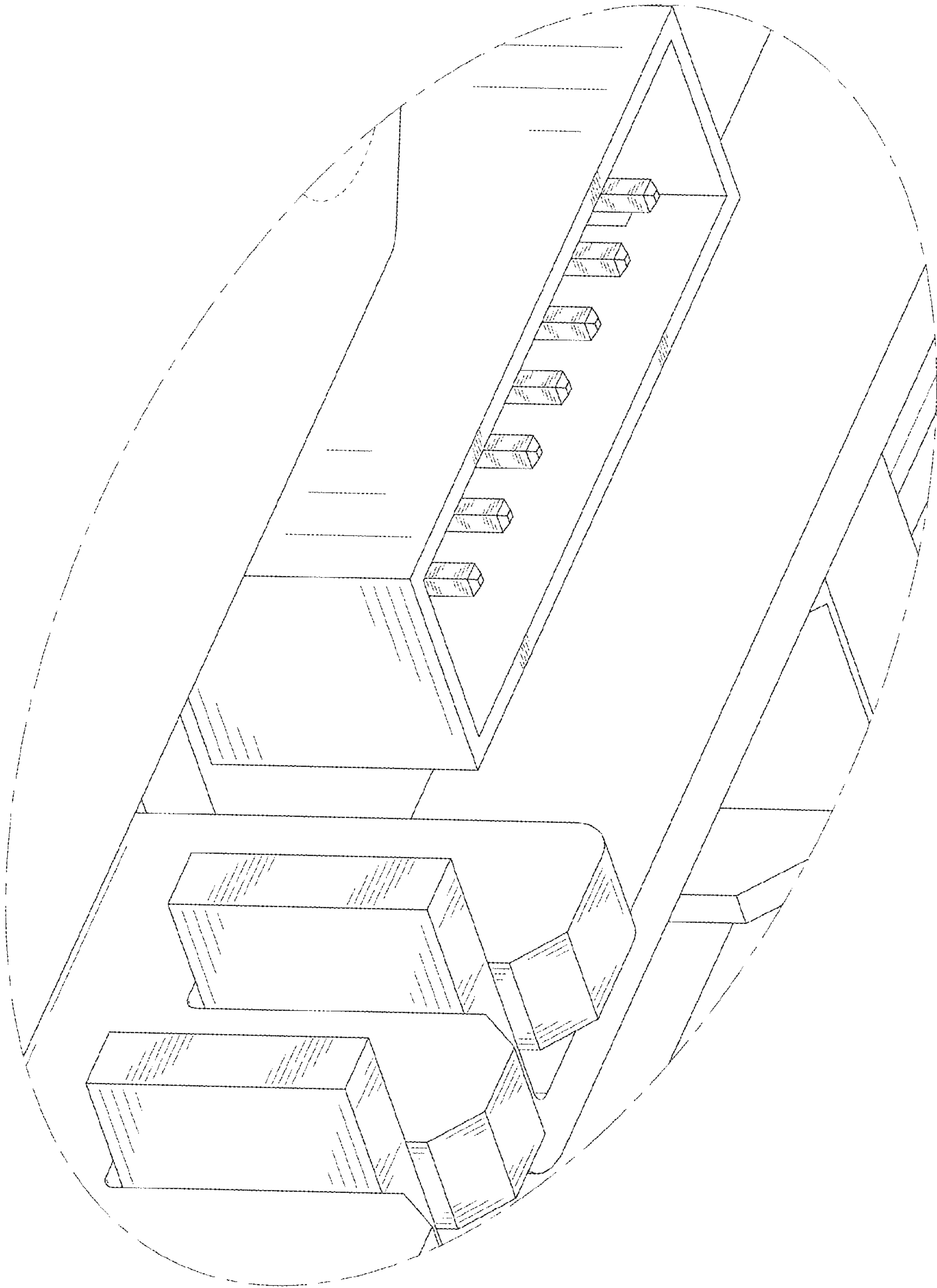


FIG. 9

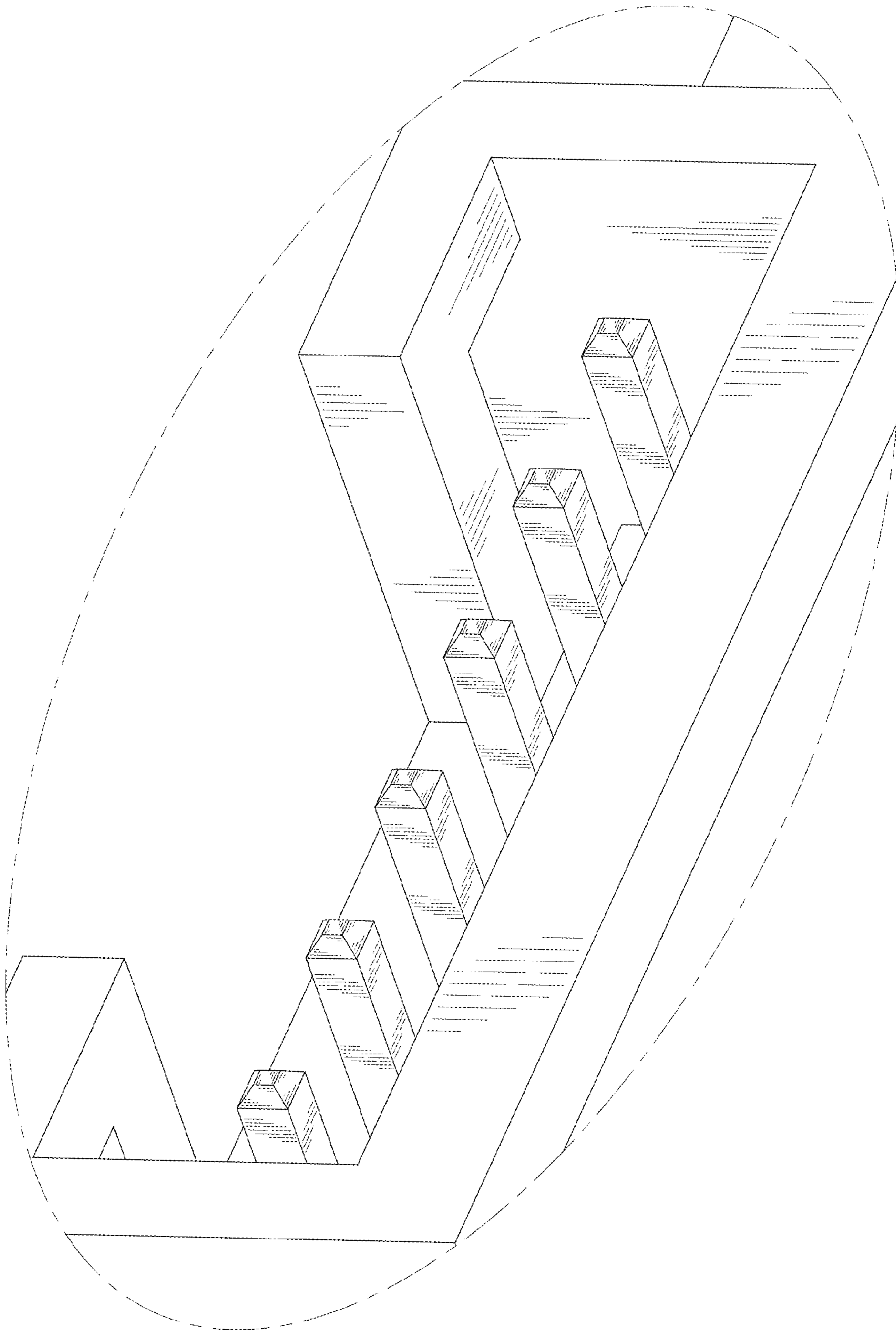


FIG. 10