



US00D986930S

(12) **United States Design Patent** (10) **Patent No.:** **US D986,930 S**
de Cavalcanti et al. (45) **Date of Patent:** **** May 23, 2023**

- (54) **REFRIGERATOR AIR FILTER ASSEMBLY**
- (71) Applicant: **WHIRLPOOL CORPORATION**,
Benton Harbor, MI (US)
- (72) Inventors: **Daniel de Cavalcanti**, St. Joseph, MI
(US); **Alexandre D. Grosse**, Joinville
(BR); **Jose Paulo Remor**, Stevensville,
MI (US)
- (73) Assignee: **WHIRLPOOL CORPORATION**,
Benton Harbor, MI (US)
- (**) Term: **15 Years**
- (21) Appl. No.: **29/839,604**
- (22) Filed: **May 23, 2022**

Related U.S. Application Data

- (62) Division of application No. 29/690,949, filed on May 13, 2019, now Pat. No. Des. 957,480, which is a
(Continued)
- (51) **LOC (14) Cl.** **15-07**
- (52) **U.S. Cl.**
USPC **D15/89**
- (58) **Field of Classification Search**
USPC D15/79-91
CPC .. F25D 11/00; F25D 17/065; F25D 2325/022;
F25D 23/069; F25D 25/025; F25D 11/02;
F25D 17/062; F25D 21/12; F25D 21/125;
F25D 21/14; F25D 2317/061; F25D
2317/067; F25D 2323/021; F25D
2323/024; F25D 23/028; F25D 23/04;
F25D 23/066; F25D 23/085; F25D
23/087; F25D 23/126; F25D 2400/02;
F25D 2400/06;

(Continued)

(56) **References Cited**

U.S. PATENT DOCUMENTS

D511,178 S * 11/2005 Tunzi D15/89
6,979,361 B2 12/2005 Mihayiov et al.

(Continued)

FOREIGN PATENT DOCUMENTS

CN 2162612 Y 4/1994
CN 2401534 Y 10/2000

(Continued)

Primary Examiner — Khawaja Anwar

(74) *Attorney, Agent, or Firm* — Price Heneveld LLP

(57) **CLAIM**

The ornamental design for a refrigerator air filter assembly, as shown and described.

DESCRIPTION

FIG. 1 is a top-front perspective view of a refrigerator air filter assembly according to the design;

FIG. 2 is a front-right perspective view thereof;

FIG. 3 is a front view thereof;

FIG. 4 is a right cross-sectional reference view thereof taken along the line 4-4 in FIG. 3; and,

FIG. 5 is a bottom cross-sectional reference view thereof taken along the line 5-5 in FIG. 3.

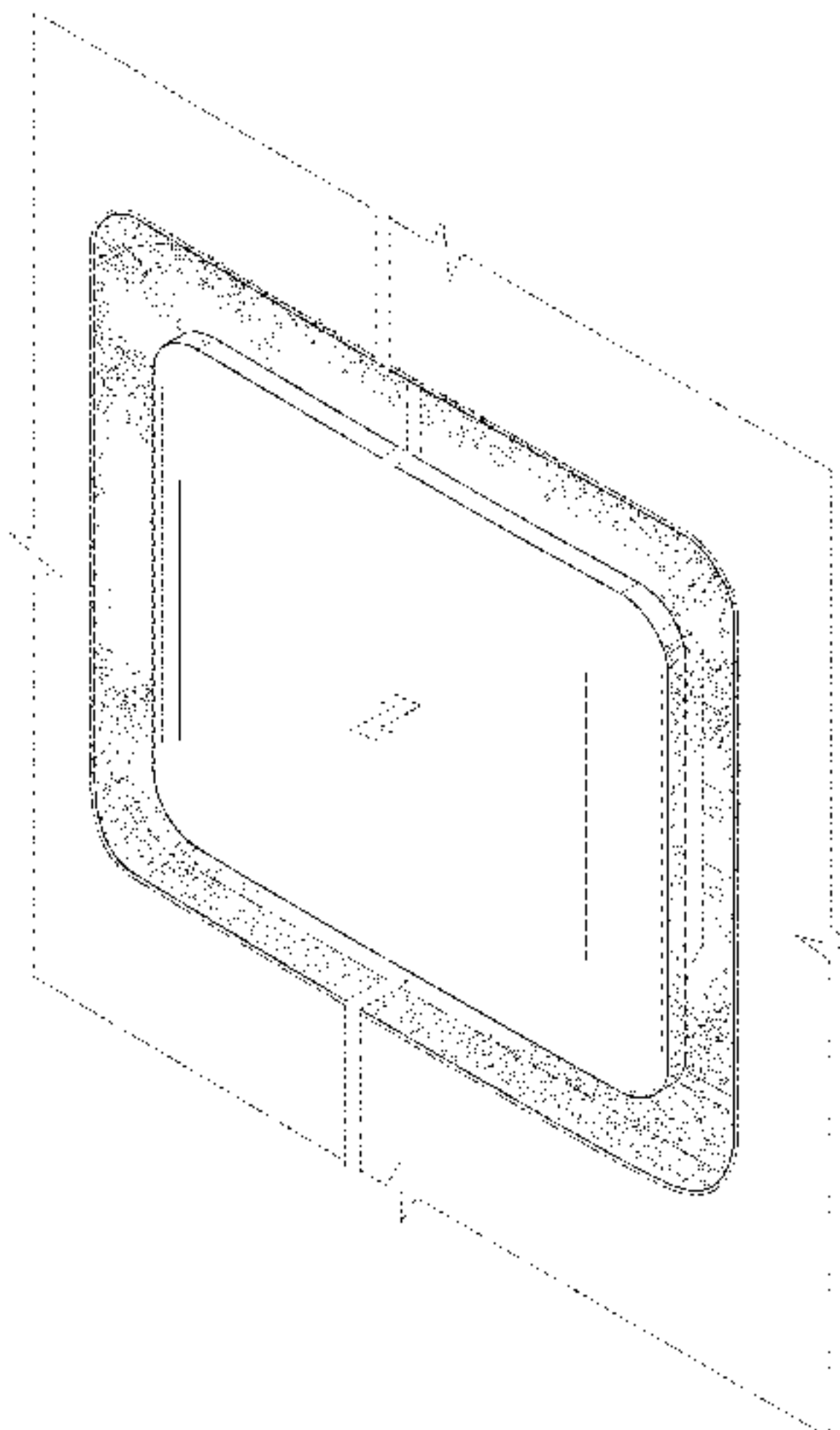
The broken line showing of portions of the article form no part of the claimed design; portions of the article between the jagged, spaced pair of broken lines in the figures being removed.

Dash-dot lines adjacent un-shaded areas represent bounds of the claimed design and form no part of the claimed design themselves.

Stipple-filled portions of the article indicate a contrasting appearance due to such portions being illuminated by incident light and does not indicate a stipple pattern in the lighting itself.

FIGS. 4 and 5 are sectional views for purposes of illustrating relationships between certain structures relative the front vertical plane of the assembly.

1 Claim, 4 Drawing Sheets



Related U.S. Application Data

division of application No. 29/565,439, filed on May 20, 2016, now Pat. No. Des. 854,057.

(58) **Field of Classification Search**

CPC F25D 2400/361; F25D 2400/40; F25D 25/005; F25D 25/02; F25D 2600/02; F25D 2700/02; F25D 2700/12; F25D 2700/121; F25D 2700/14; F25D 29/00
See application file for complete search history.

(56) **References Cited**

U.S. PATENT DOCUMENTS

D514,138	S	*	1/2006	Jackovin	D15/89
7,600,388	B2		10/2009	Vestal		
D616,001	S		5/2010	Yang et al.		
8,002,367	B2		8/2011	Kim et al.		
D654,515	S		2/2012	Hwang et al.		
D657,402	S		4/2012	Hwang et al.		
D668,276	S	*	10/2012	Jungwirth	D15/89
8,314,546	B2		11/2012	Tchakarov		
D673,588	S	*	1/2013	Choi	D15/89
8,650,902	B2		2/2014	Shin		
D710,402	S		8/2014	Jeon et al.		
D737,344	S	*	8/2015	Lee	D15/89
D744,013	S	*	11/2015	Pfaff	D15/89
D751,126	S	*	3/2016	Pfaff	D15/89
D766,997	S	*	9/2016	Lee	D15/89

D767,651	S	*	9/2016	Heinzle	D15/89
D770,542	S	*	11/2016	Floeter Junior	D15/89
9,599,394	B2		3/2017	Kobos et al.		
D784,429	S	*	4/2017	Kim	D15/89
D807,412	S	*	1/2018	Lee	D15/89
10,139,150	B2		11/2018	De Cavalcanti et al.		
D839,317	S		1/2019	De Cavalcanti et al.		
10,203,153	B2		2/2019	Machi et al.		
D852,234	S		6/2019	De Cavalcanti et al.		
D854,057	S		7/2019	De Cavalcanti et al.		
10,612,830	B2		4/2020	De Cavalcanti et al.		
2006/0075698	A1		4/2006	Alessandro		
2009/0278448	A1		11/2009	Tchakarov		
2009/0303695	A1		12/2009	Buchstab et al.		
2010/0199706	A1		8/2010	Bischofberger et al.		
2010/0320890	A1		12/2010	Jung et al.		
2012/0017629	A1		1/2012	Shin		
2012/0180667	A1		7/2012	Ottesen et al.		
2013/0014646	A1		1/2013	Rojas et al.		
2018/0017317	A1		1/2018	Adachi et al.		

FOREIGN PATENT DOCUMENTS

CN	201754008	U	3/2011
CN	202470609	U	10/2012
EP	1645823	A2	4/2006
JP	09079729	A	3/1997
KR	100821748	B1	4/2008
KR	1020090075054	A	7/2009

* cited by examiner

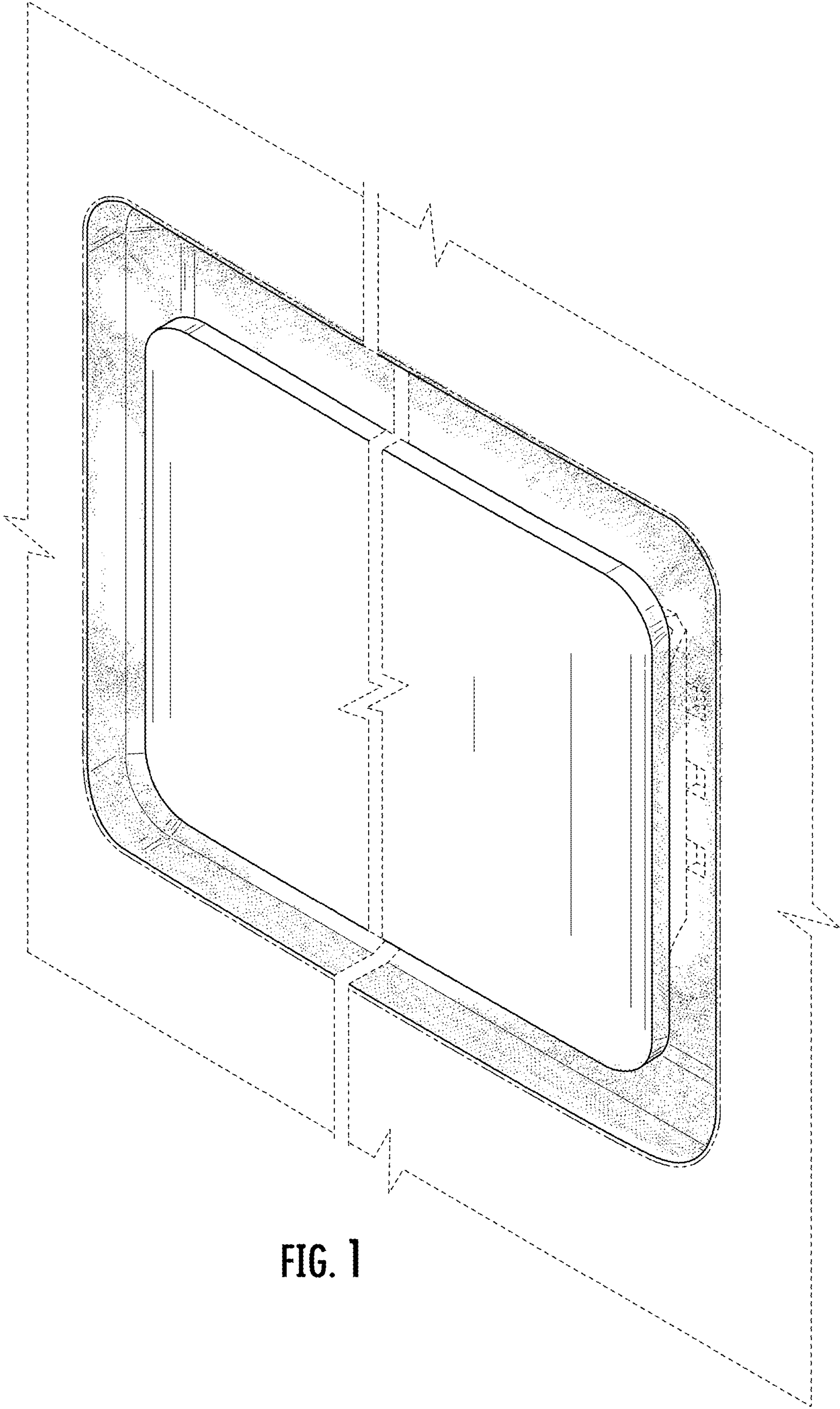


FIG. 1

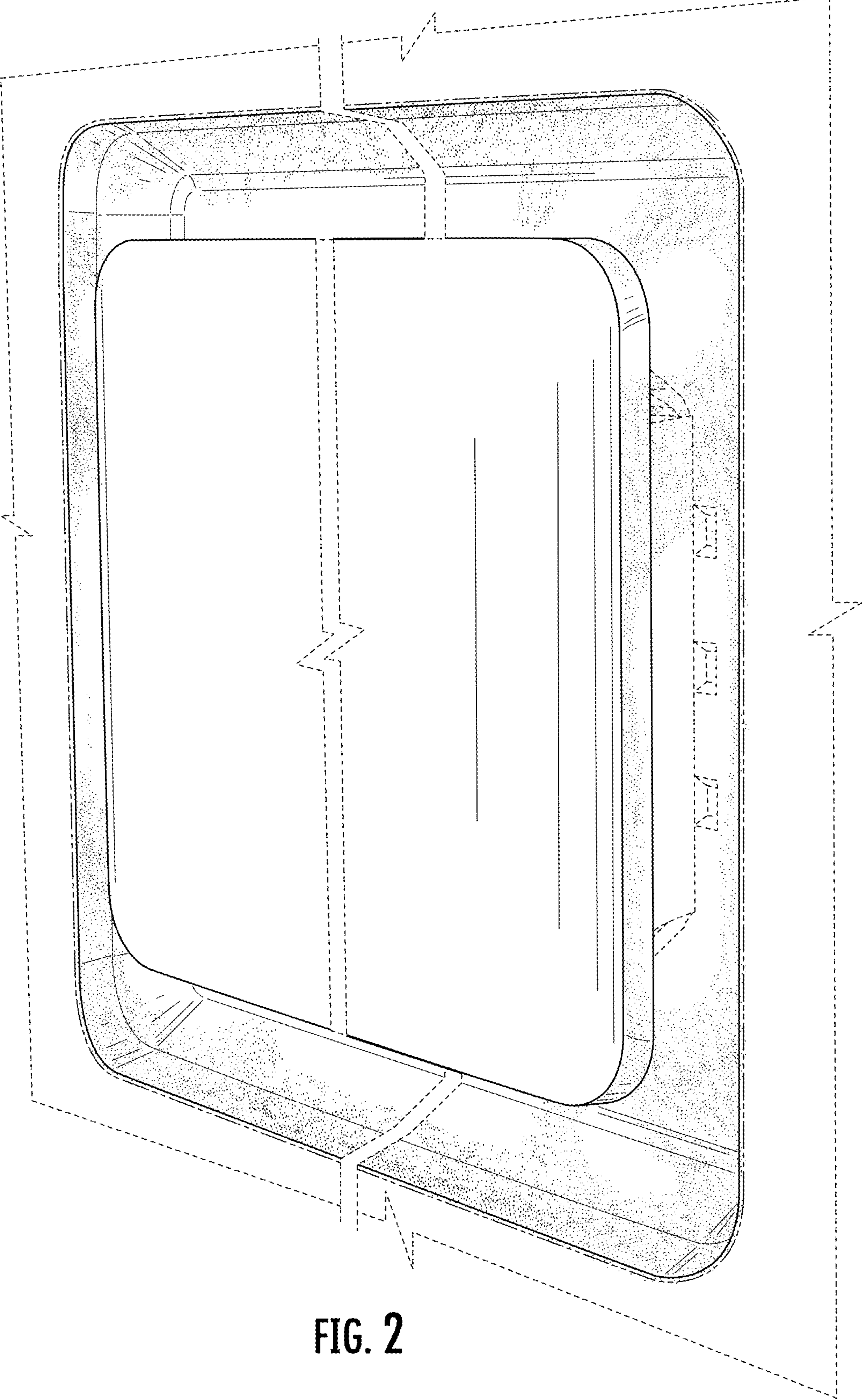


FIG. 2

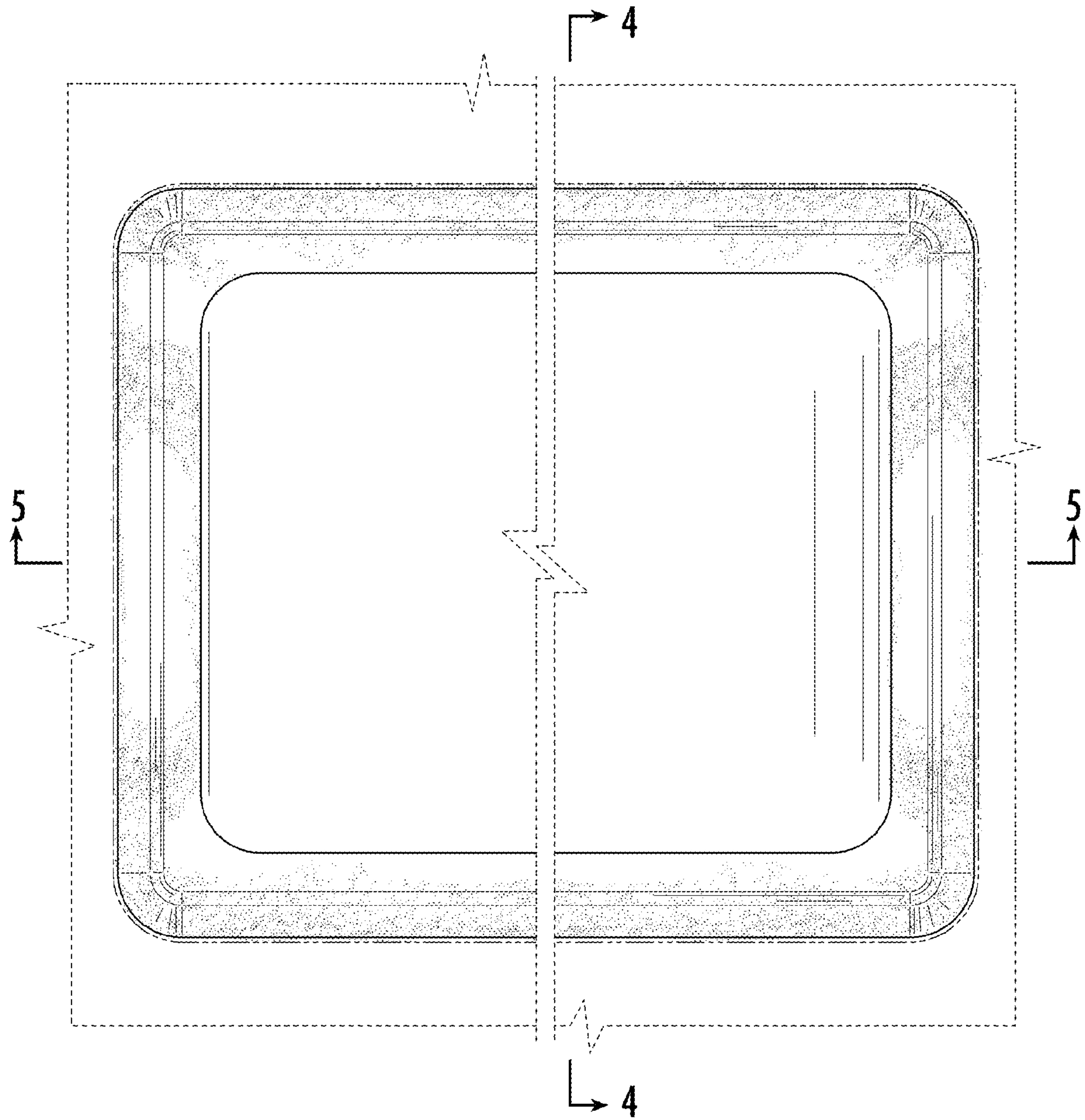


FIG. 3

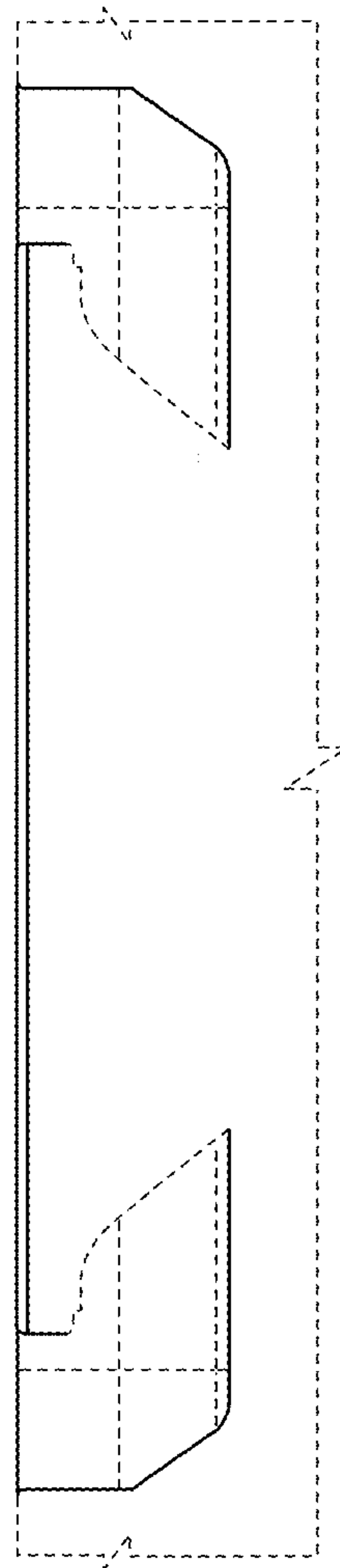


FIG. 4

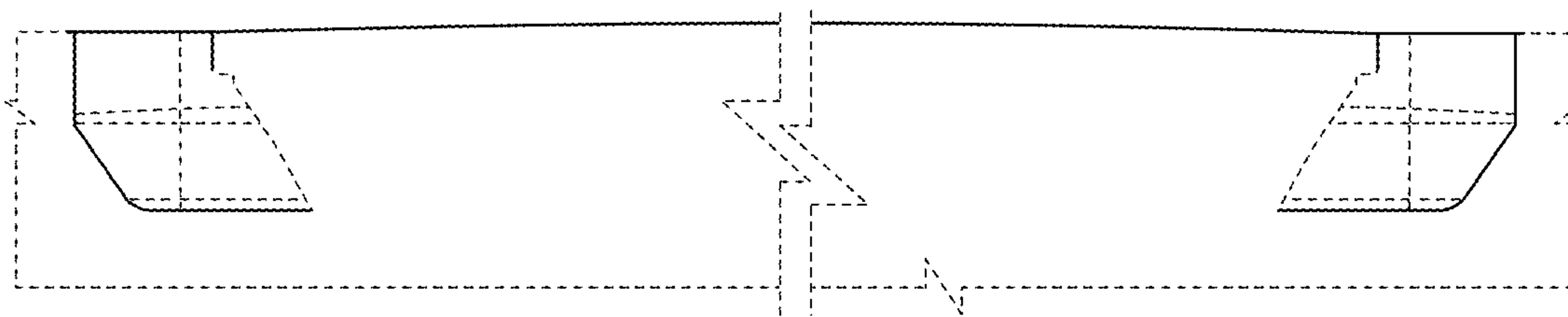


FIG. 5