



US00D986929S

(12) **United States Design Patent** (10) **Patent No.:** **US D986,929 S**
Xiao (45) **Date of Patent:** **** May 23, 2023**

(54) **REFRIGERATOR**

(71) Applicant: **Guangdong Freecool Electrical Technology Co., Ltd.**, Guangdong (CN)

(72) Inventor: **Jianping Xiao**, Guangdong (CN)

(73) Assignee: **Guangdong Freecool Electrical Technology Co., Ltd.**, Zhongshan (CN)

(**) Term: **15 Years**

(21) Appl. No.: **29/801,721**

(22) Filed: **Jul. 30, 2021**

(51) **LOC (14) Cl.** **15-07**

(52) **U.S. Cl.**
USPC **D15/88**

(58) **Field of Classification Search**
USPC D15/79, 80, 81, 82, 83, 84, 85, 88, 89
CPC F25D 2323/023; F25D 23/028; F25D 23/126; F25D 11/02; F25D 2201/126; F25C 5/187; F25C 5/08; F25C 2400/12; F25C 2400/14; A23G 9/12; A23G 9/10; A23G 9/106; B65D 85/78
See application file for complete search history.

(56) **References Cited**

U.S. PATENT DOCUMENTS

D380,505 S *	7/1997	Yang	D21/524
D474,375 S *	5/2003	Fromm	D7/606
D477,000 S *	7/2003	Aldous	D15/81
D516,099 S *	2/2006	Maruyama	D15/83
D556,792 S *	12/2007	Moran	D6/661
D698,372 S *	1/2014	Brenneis	D15/81
D713,863 S *	9/2014	Cosgrove	D15/88
D776,171 S *	1/2017	Wang	D15/88
D800,799 S *	10/2017	Feng	D15/81
D807,929 S *	1/2018	Feng	D15/81
D847,874 S *	5/2019	Kim	D15/81
D852,853 S *	7/2019	Kim	D15/81
D853,454 S *	7/2019	Kim	D15/81

D867,407 S *	11/2019	Wang	D15/79
D867,408 S *	11/2019	Wang	D15/79
D867,409 S *	11/2019	Wang	D15/79
D886,163 S *	6/2020	Yao	D15/81
D888,109 S *	6/2020	Kim	D15/79
D896,856 S *	9/2020	Zhou	D15/81
D909,431 S *	2/2021	Kim	D15/79
D919,678 S *	5/2021	Yang	D15/81
D924,946 S *	7/2021	Xu	D15/81

(Continued)

OTHER PUBLICATIONS

“Cooluli Beauty 12L Skincare Fridge—for Makeup, Cosmetic & Facial Skin Care Products—for Women & Teen Girls—Pearl White Mini Fridge for Bedroom & Bathroom Vanity—Interior LED” [online]. Cooluli. [Available on Nov. 4, 2020]. Retrieved from the Internet: <<https://www.amazon.com/dp/B08ML6HBYJ>>.*

Primary Examiner — Mojtaba Tehrani

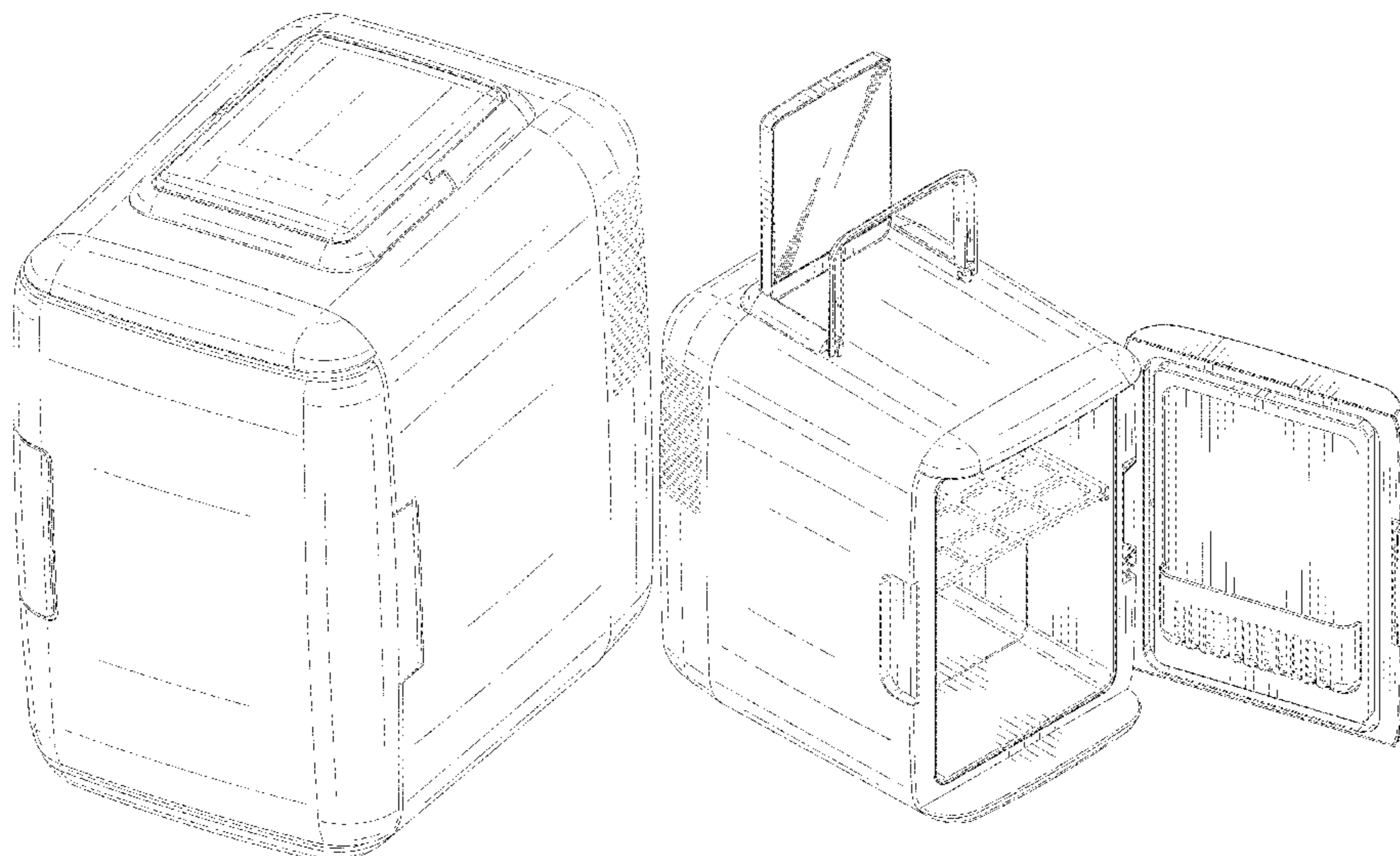
(57) **CLAIM**

The ornamental design for a refrigerator, as shown and described.

DESCRIPTION

FIG. 1 is a top, front and right side perspective view of a refrigerator showing my new design;
FIG. 2 is a bottom, rear and left side perspective view thereof;
FIG. 3 is a front elevational view thereof;
FIG. 4 is a rear elevational view thereof;
FIG. 5 is a left side view thereof;
FIG. 6 is a right side view thereof;
FIG. 7 is a top plan view thereof;
FIG. 8 is a bottom plan view thereof; and,
FIG. 9 is a top, front and left side perspective view showing the refrigerator in a use state.
The broken lines in the drawings illustrate portions of the refrigerator which form no part of the claimed design.

1 Claim, 9 Drawing Sheets



(56)

References Cited

U.S. PATENT DOCUMENTS

D927,562	S	*	8/2021	Kong	D15/81
D930,716	S	*	9/2021	Huang	D15/81
D937,910	S	*	12/2021	Huang	D15/81
D940,209	S	*	1/2022	Kong	D15/81
D946,636	S	*	3/2022	Xu	D15/81
D947,905	S	*	4/2022	Xu	D15/81
D950,612	S	*	5/2022	Choi	D15/79
D952,006	S	*	5/2022	Li	D15/81
D952,699	S	*	5/2022	Li	D15/79
D954,114	S	*	6/2022	Lee	D15/79
D956,829	S	*	7/2022	Li	D15/79
D957,478	S	*	7/2022	Choi	D15/79
D958,850	S	*	7/2022	Kim	D15/88
D959,507	S	*	8/2022	Miao	D15/79
D963,004	S	*	9/2022	Liang	D15/81
D963,005	S	*	9/2022	Liang	D15/81
D964,433	S	*	9/2022	Lin	62/3.62
D965,647	S	*	10/2022	Yao	D15/81
2022/0214034	A1	*	7/2022	Yao	F21V 33/004

* cited by examiner

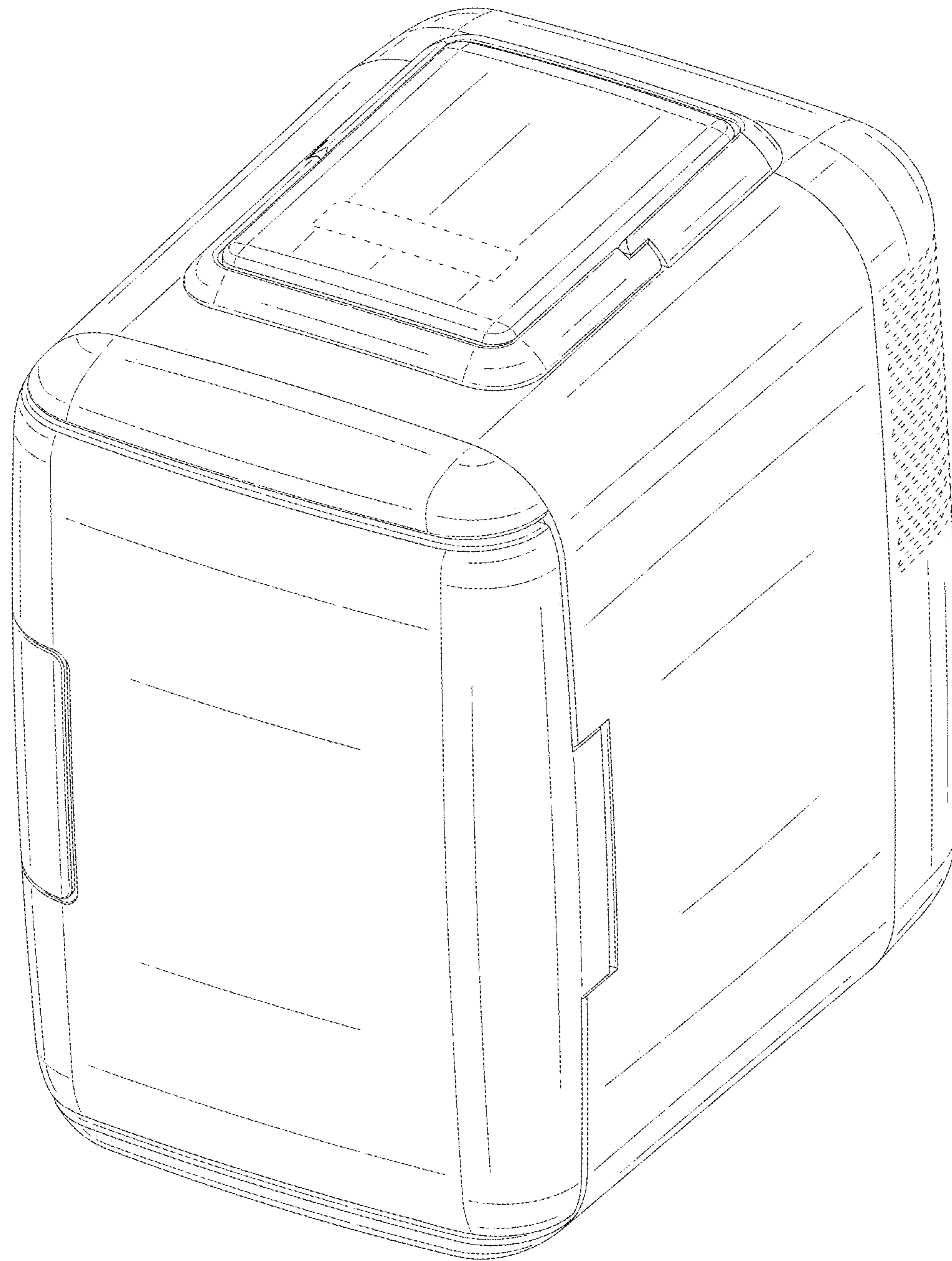


FIG.1

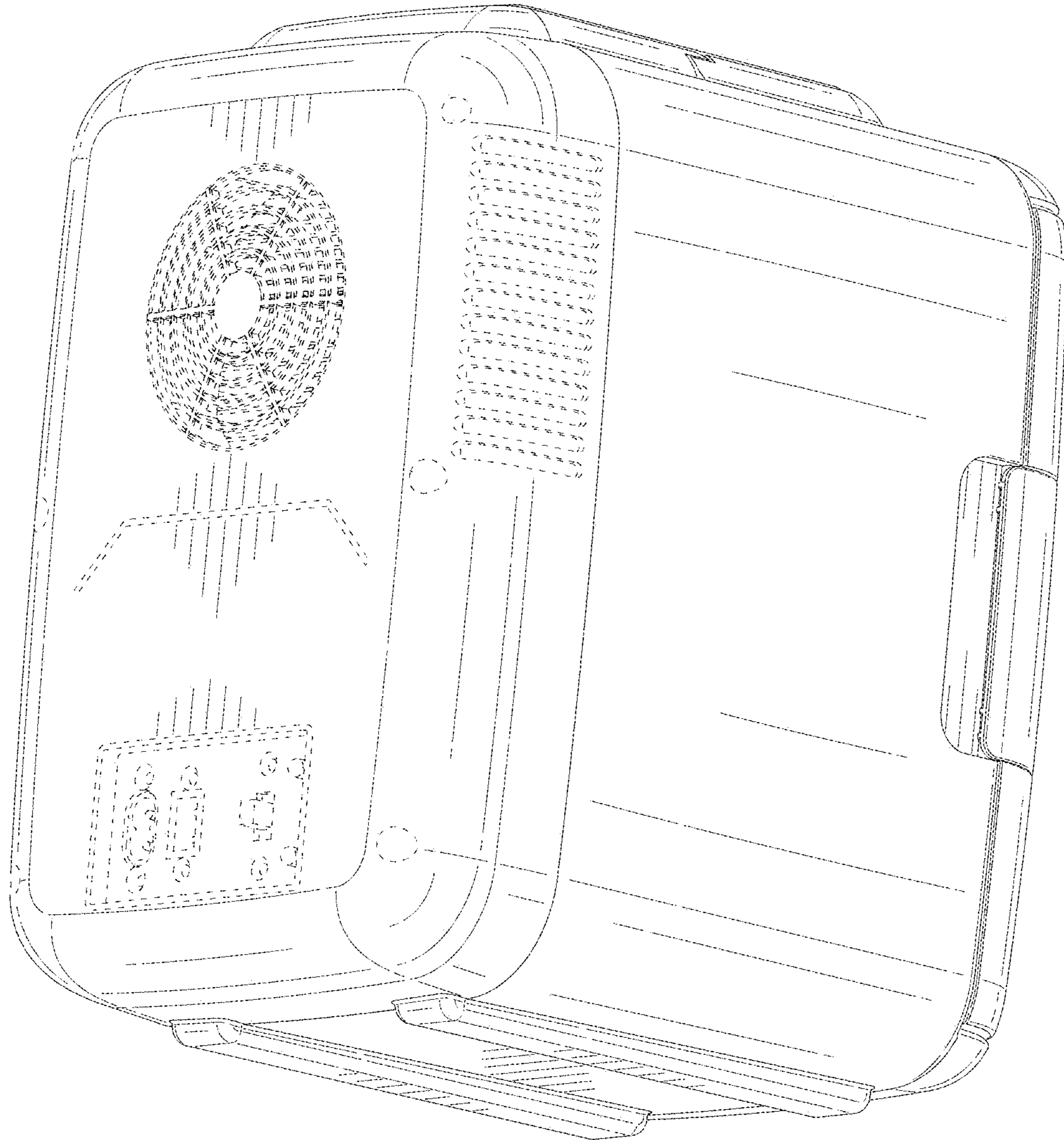


FIG.2

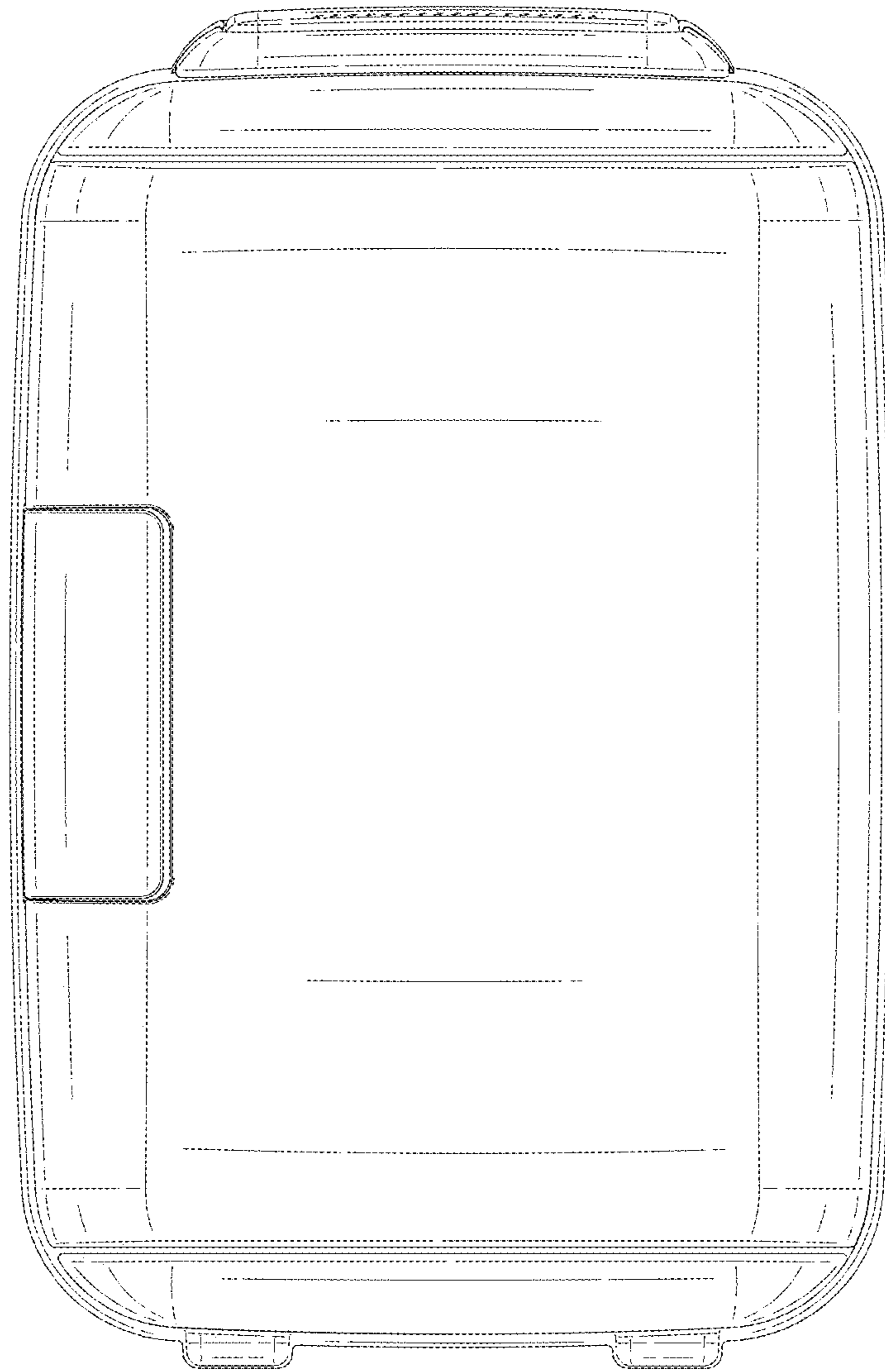


FIG.3

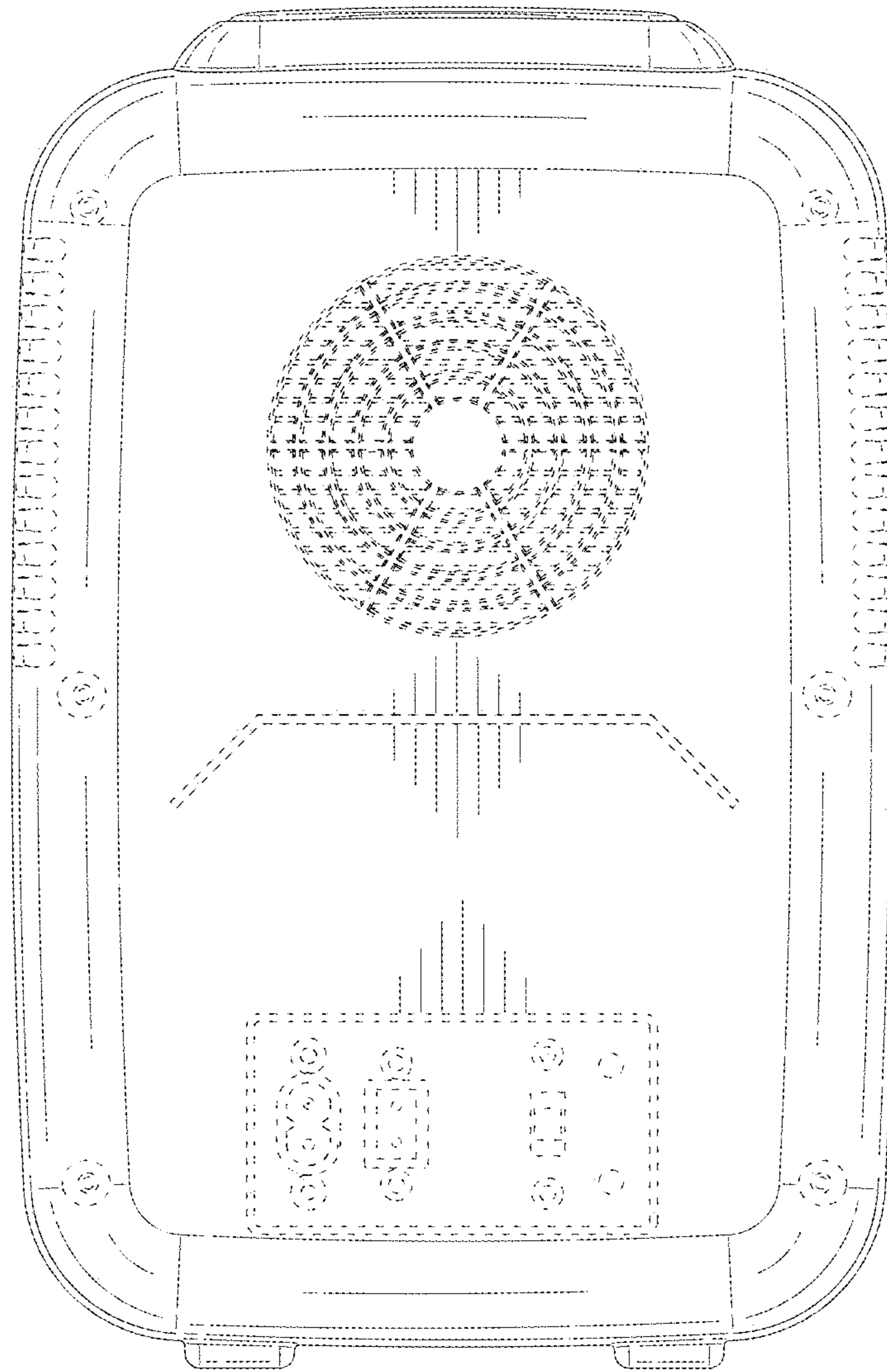


FIG.4

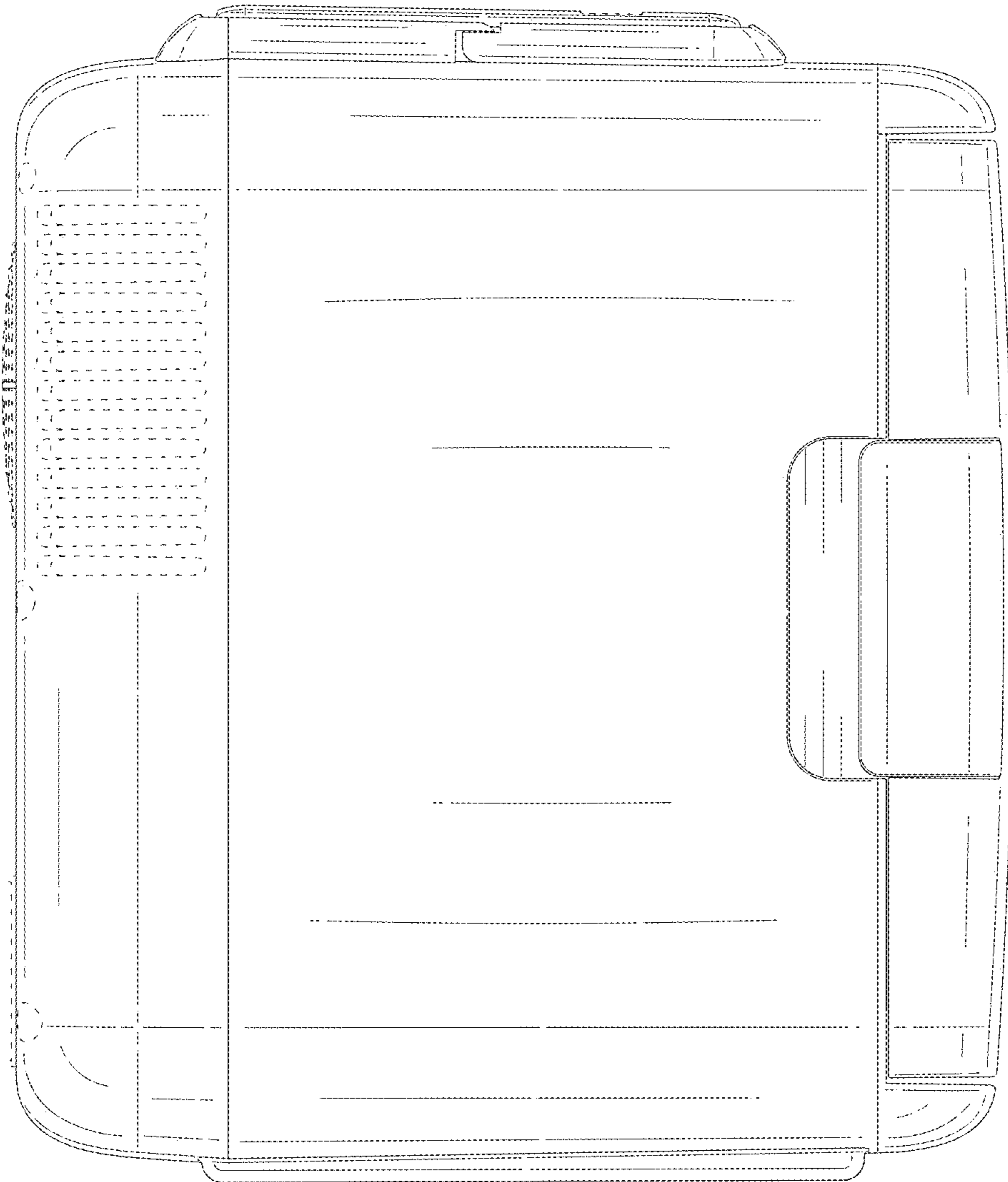


FIG.5

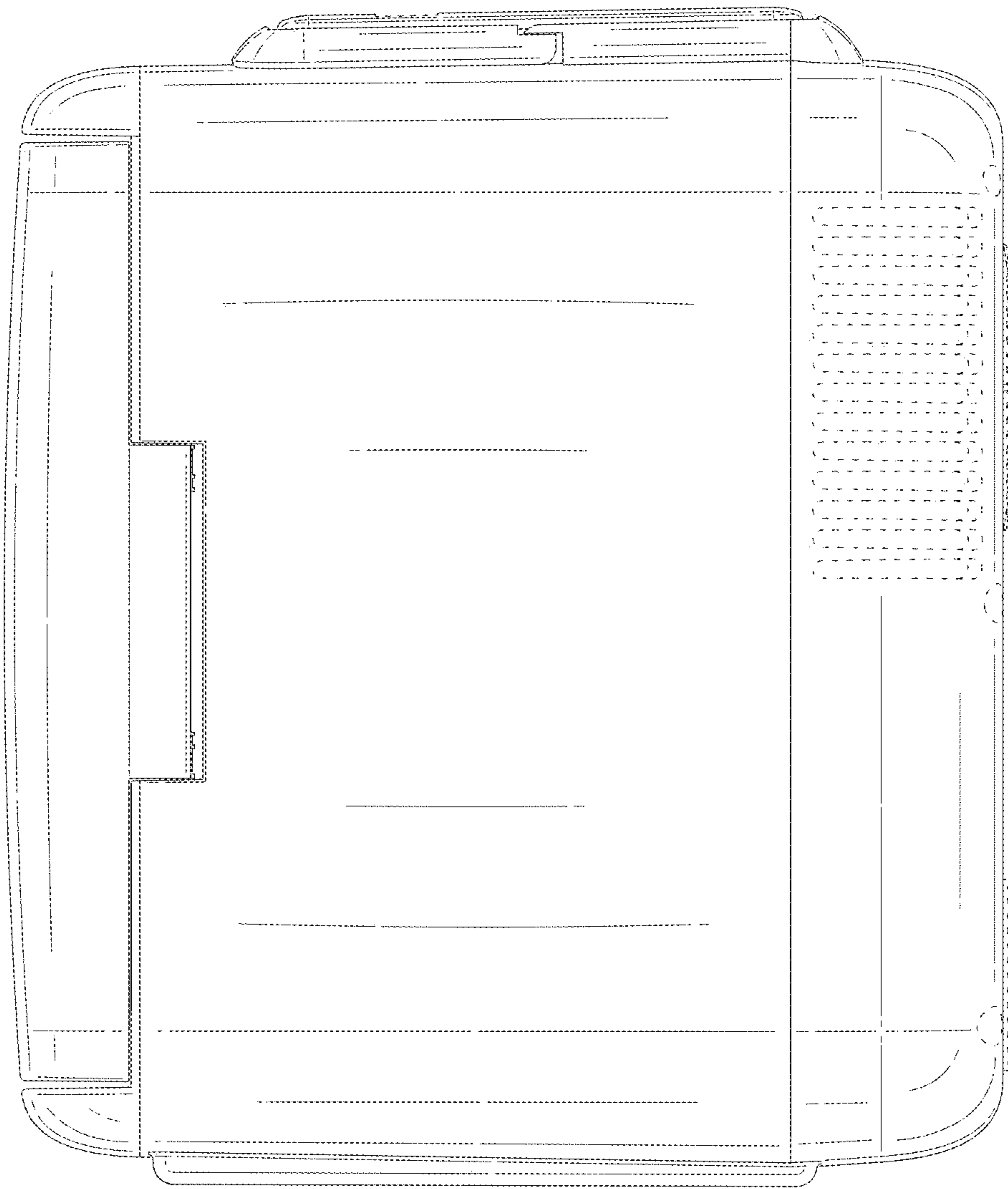


FIG.6

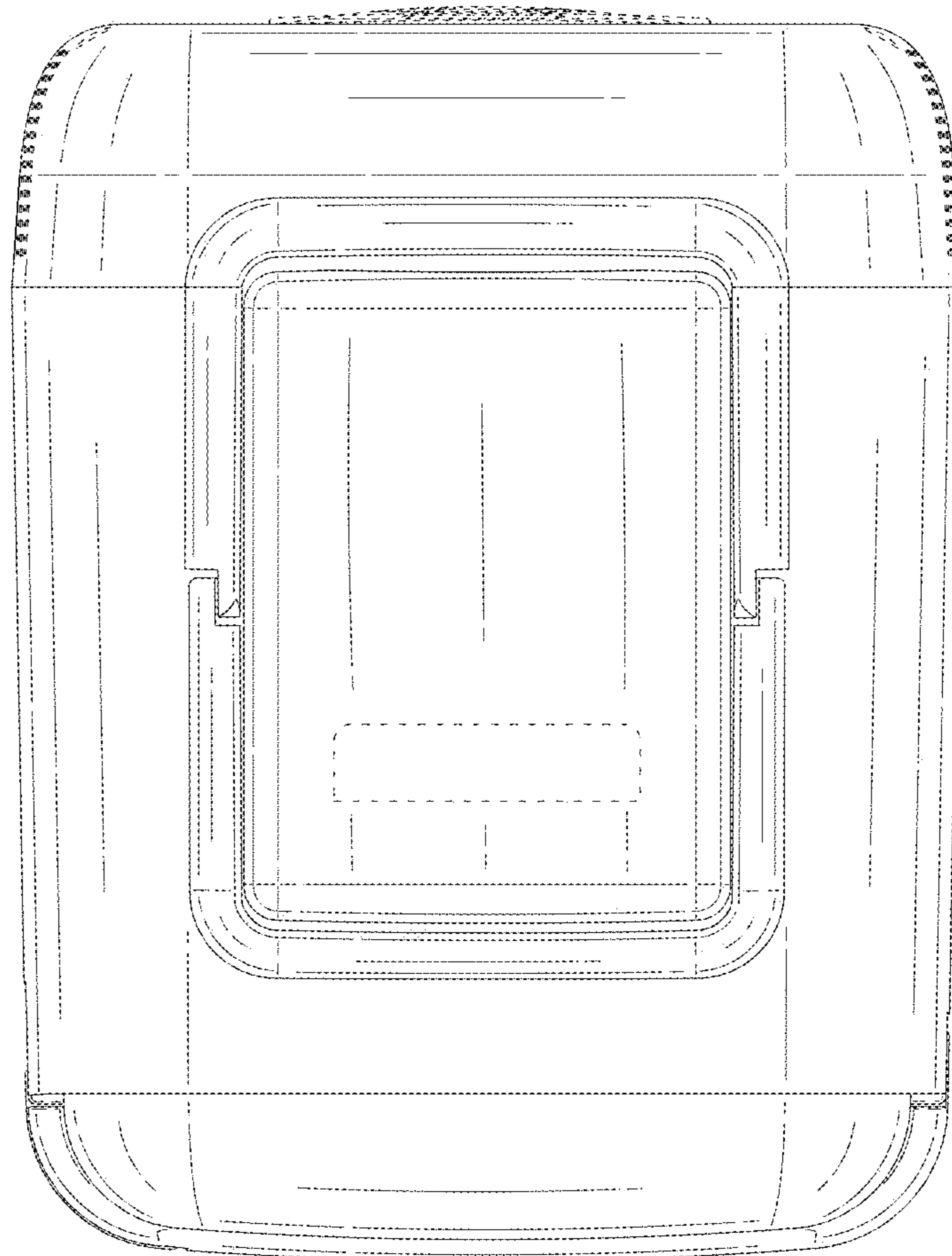


FIG.7

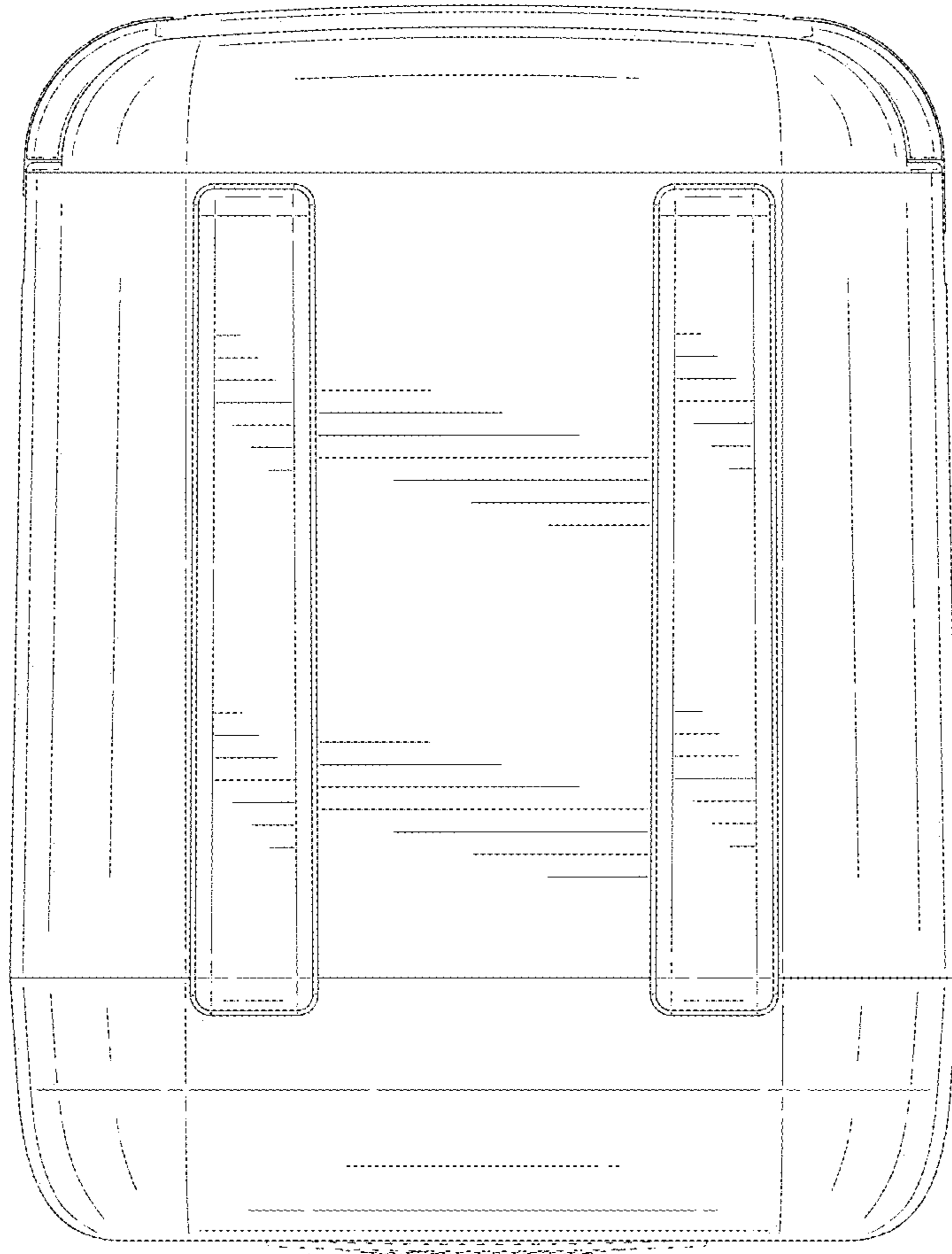


FIG.8

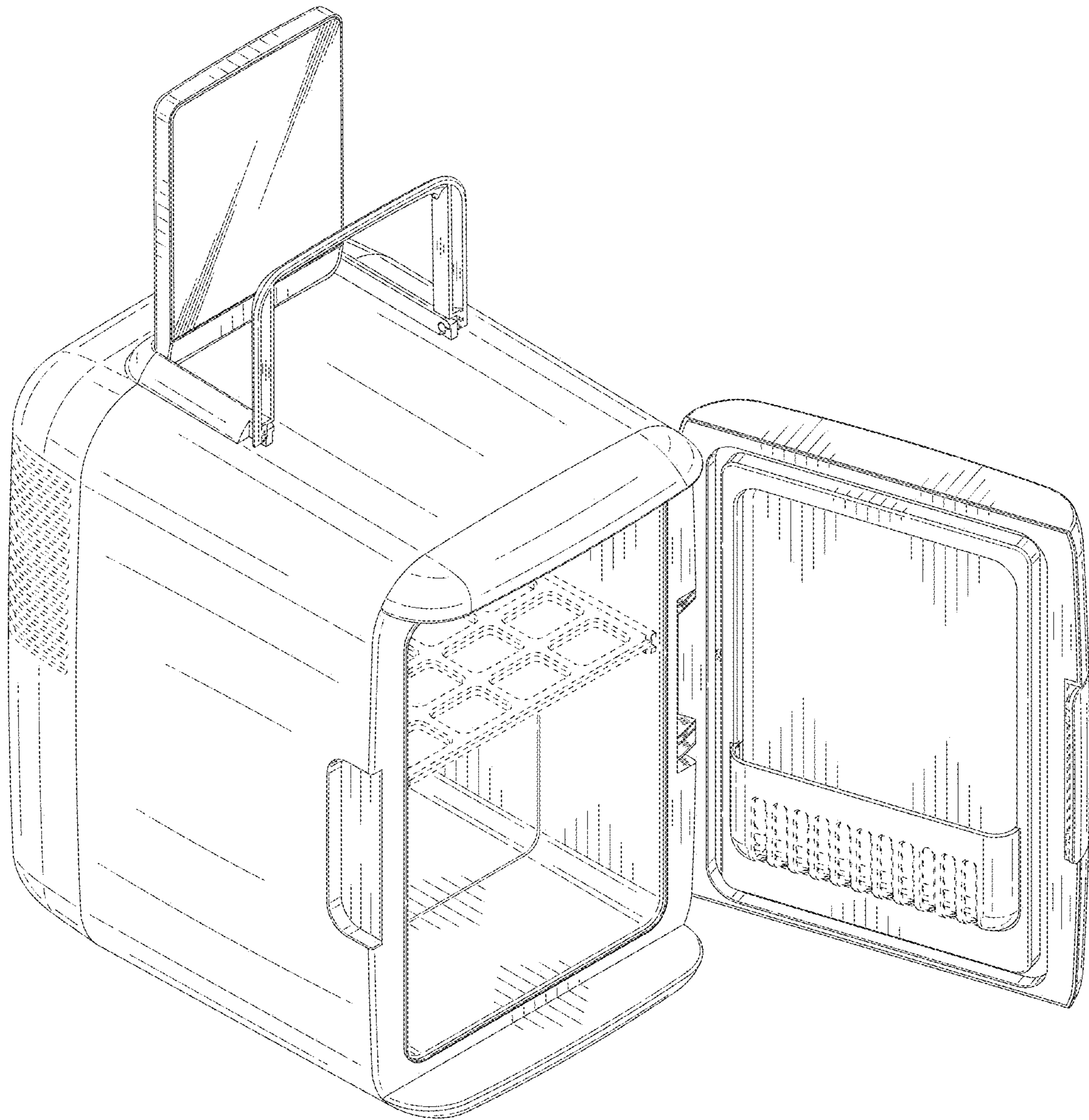


FIG.9