



US00D986927S

(12) **United States Design Patent** (10) **Patent No.:** **US D986,927 S**
Solana et al. (45) **Date of Patent:** **** May 23, 2023**

(54) **PUMP HOUSING FOR PNEUMATIC COMPRESSION DEVICE**

F16K 31/602; F16L 37/18; F16L 37/20; A61H 1/006; A61H 1/00; A61H 9/0078

See application file for complete search history.

(71) Applicant: **Therabody, Inc.**, Los Angeles, CA (US)

(56) **References Cited**

(72) Inventors: **Jaime Sanchez Solana**, Los Angeles, CA (US); **Brian Carberry**, Beverly Hills, CA (US); **Brian Zeng**, Dongguan (CN); **Washington Alexander Silva Garces**, Los Angeles, CA (US); **William Webb**, San Francisco, CA (US); **Patrick Tufts**, San Francisco, CA (US); **Cale Kaufman**, Oakland, CA (US)

U.S. PATENT DOCUMENTS

D307,806 S	5/1990	Byar et al.	
D319,339 S	8/1991	Stringham	
D350,398 S	9/1994	Campbell et al.	
5,569,173 A	10/1996	Varn	
D399,506 S *	10/1998	Takahashi D14/510
D531,645 S	11/2006	Wise	
D589,533 S	3/2009	Anderson et al.	
D608,343 S	1/2010	Skurdal	

(Continued)

(73) Assignee: **Therabody, Inc.**, Los Angeles, CA (US)

FOREIGN PATENT DOCUMENTS

(**) Term: **15 Years**

EP	349494947 A1	6/2019
KR	101837120 B1	3/2018

(21) Appl. No.: **29/868,261**

Primary Examiner — Calvin E Vansant

Assistant Examiner — Mark T. Philipps

(22) Filed: **Nov. 28, 2022**

(74) *Attorney, Agent, or Firm* — Sterne, Kessler, Goldstein & Fox P.L.L.C.

Related U.S. Application Data

(62) Division of application No. 29/821,804, filed on Jan. 3, 2022, now Pat. No. Des. 971,266.

(51) **LOC (14) Cl.** **15-02**

(52) **U.S. Cl.**
USPC **D15/7; D24/200**

(58) **Field of Classification Search**
USPC D15/7-9; D14/163, 165, 172, 203.3, D14/203.6, 209.1, 214, 221, 497, 499, D14/509, 510; D24/168, 186, 213, 217, D24/218, 233; D23/225, 231, 232, 366, D23/356; D13/107
CPC F04B 53/14; F04B 53/92; F04B 33/00; F04B 33/005; F04B 1/005; F04D 13/06; F04D 29/22; F04D 29/046; F04D 29/2266; F16K 11/048; F16K 15/20;

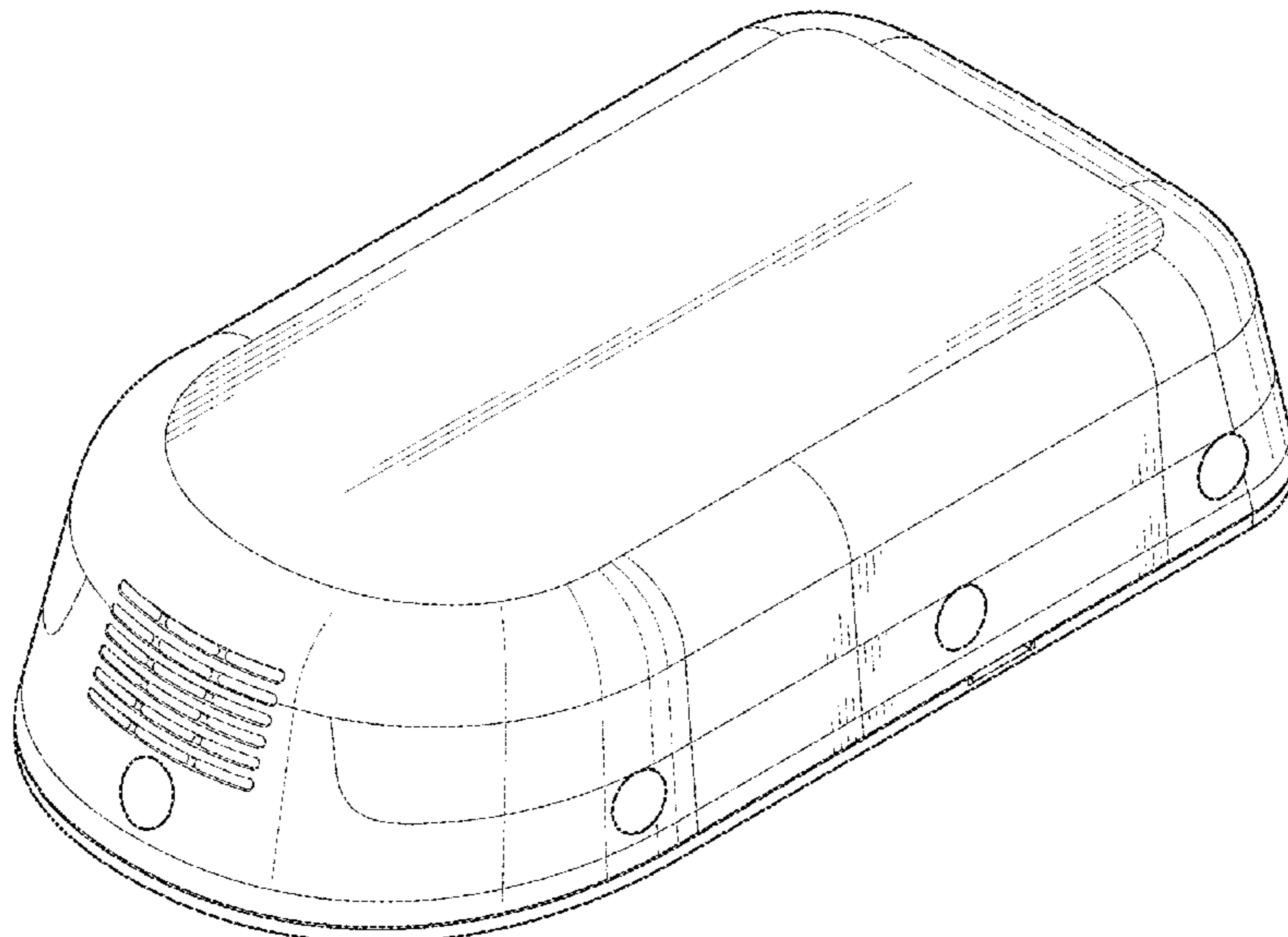
(57) **CLAIM**

The ornamental design for a pump housing for pneumatic compression device, as shown and described.

DESCRIPTION

FIG. 1 is a top perspective view of a pump housing for pneumatic compression device showing the claimed design; FIG. 2 is a front elevational view thereof; FIG. 3 is a rear elevational view thereof; FIG. 4 is a right elevational view thereof; FIG. 5 is a left elevational view thereof; FIG. 6 is a top plan view thereof; and, FIG. 7 is a bottom plan view thereof.

1 Claim, 6 Drawing Sheets



(56)

References Cited

U.S. PATENT DOCUMENTS

D614,587 S 4/2010 Yodfat et al.
 7,717,869 B2 5/2010 Eischen, Sr.
 8,251,936 B2 8/2012 Fout et al.
 D740,929 S 10/2015 Pipe et al.
 9,610,186 B2 4/2017 Jones et al.
 9,642,414 B2 5/2017 Lindsay et al.
 D791,306 S 7/2017 Clemente et al.
 D837,388 S 1/2019 Dacosta et al.
 D853,583 S 7/2019 Pizzochero et al.
 D854,695 S 7/2019 Patil et al.
 10,368,609 B2 8/2019 Ma et al.
 D886,986 S 6/2020 Clemente et al.
 D893,740 S 8/2020 Lv
 D896,979 S 9/2020 Schumaier
 10,939,723 B2 3/2021 Walborn et al.
 D917,704 S 4/2021 Ali et al.
 D921,905 S 6/2021 Castanet et al.

D924,390 S 7/2021 Kolenda et al.
 D929,566 S 8/2021 Wu
 D929,879 S 9/2021 Paschke et al.
 D936,579 S 11/2021 Wang et al.
 D941,489 S 1/2022 Lu
 D946,749 S 3/2022 Smith et al.
 D952,179 S 5/2022 Gil
 D963,158 S * 9/2022 Gibson D24/111
 D963,868 S * 9/2022 Camozzi D24/200
 D964,578 S * 9/2022 Wu D24/200
 D965,139 S * 9/2022 Gibson D24/111
 D967,433 S * 10/2022 Al-Ali D24/165
 D971,266 S * 11/2022 Solana D15/7
 D972,165 S * 12/2022 Yang D24/217
 D973,885 S * 12/2022 Levine D24/186
 2019/0208855 A1 7/2019 Raia
 2020/0046070 A1 2/2020 Henrichot et al.
 2021/0244128 A1 8/2021 Costa et al.
 2021/0259361 A1 8/2021 Weast et al.

* cited by examiner

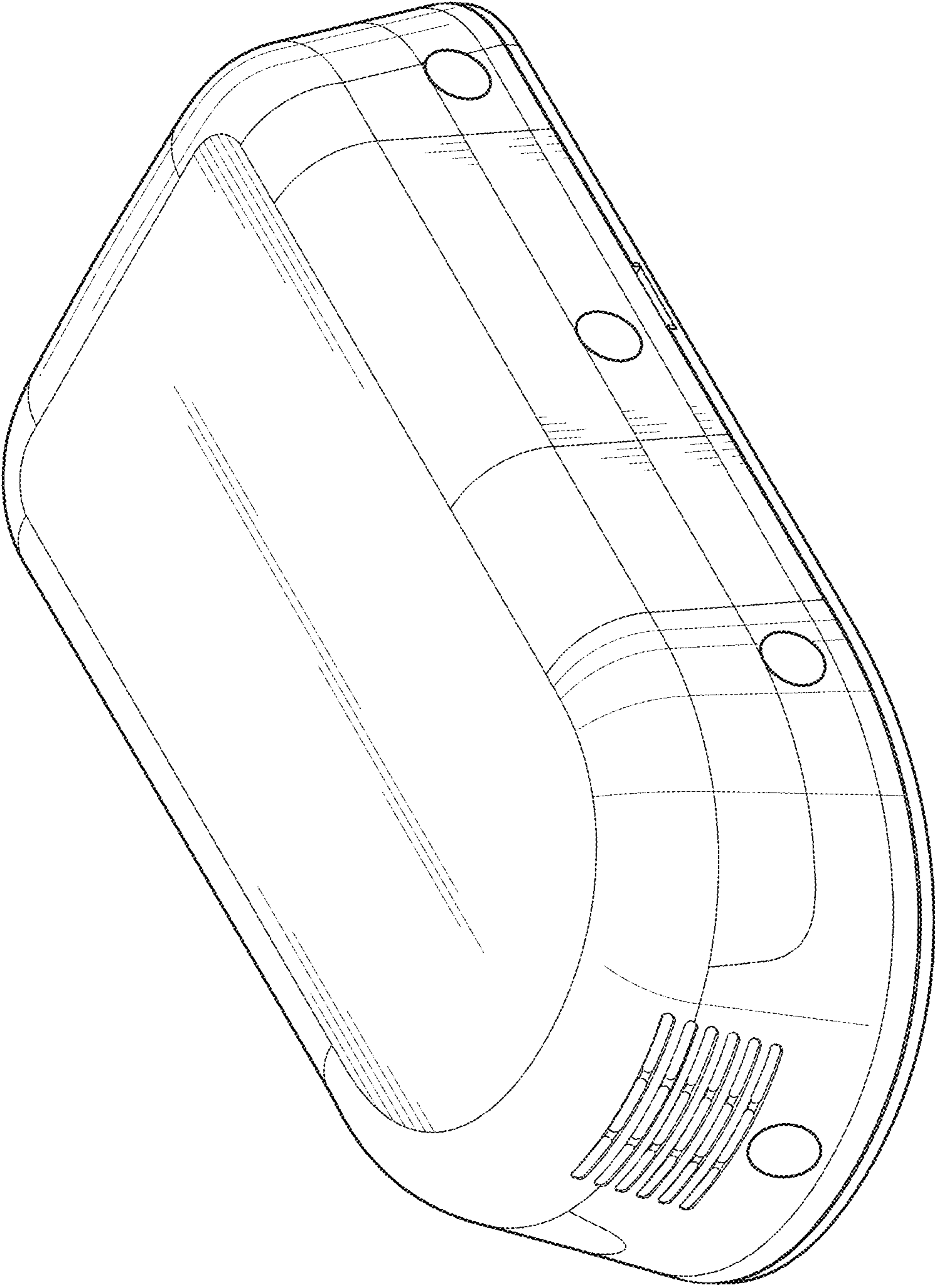


FIG. 1

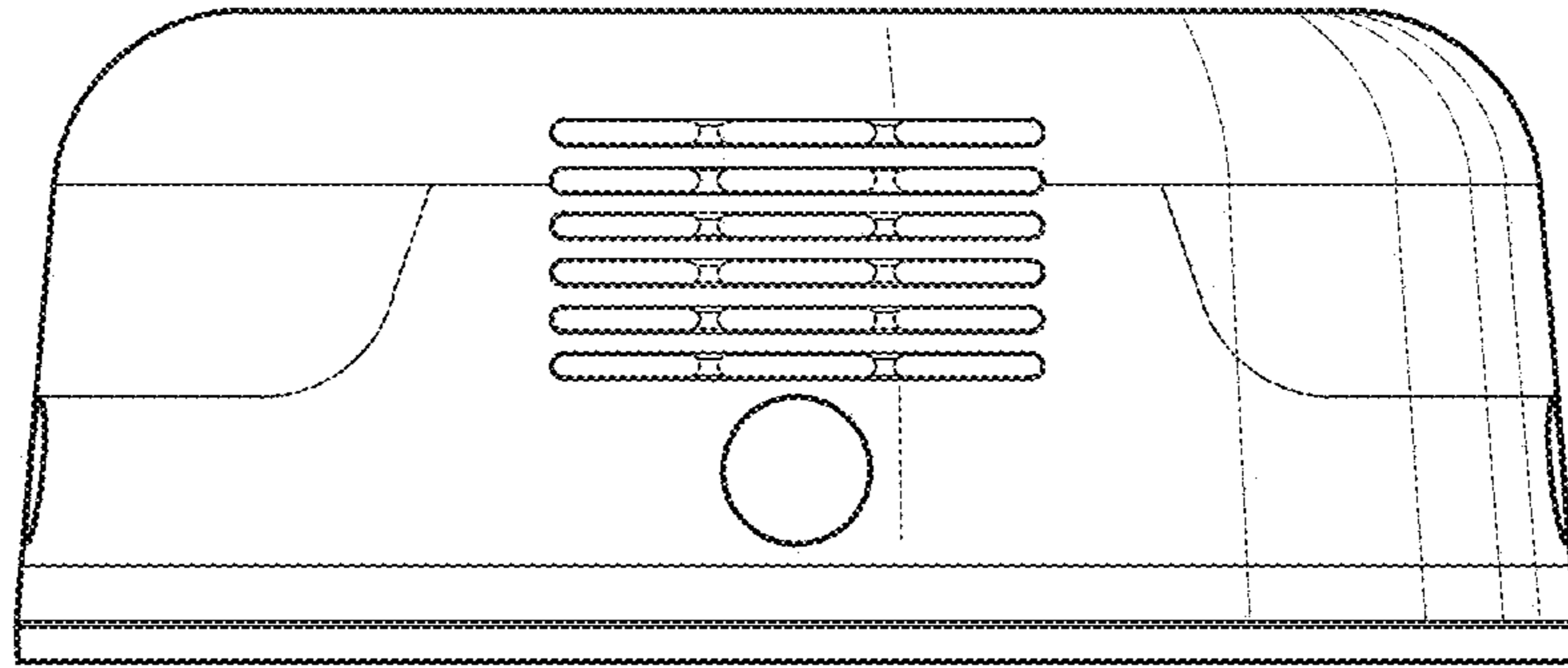


FIG. 2

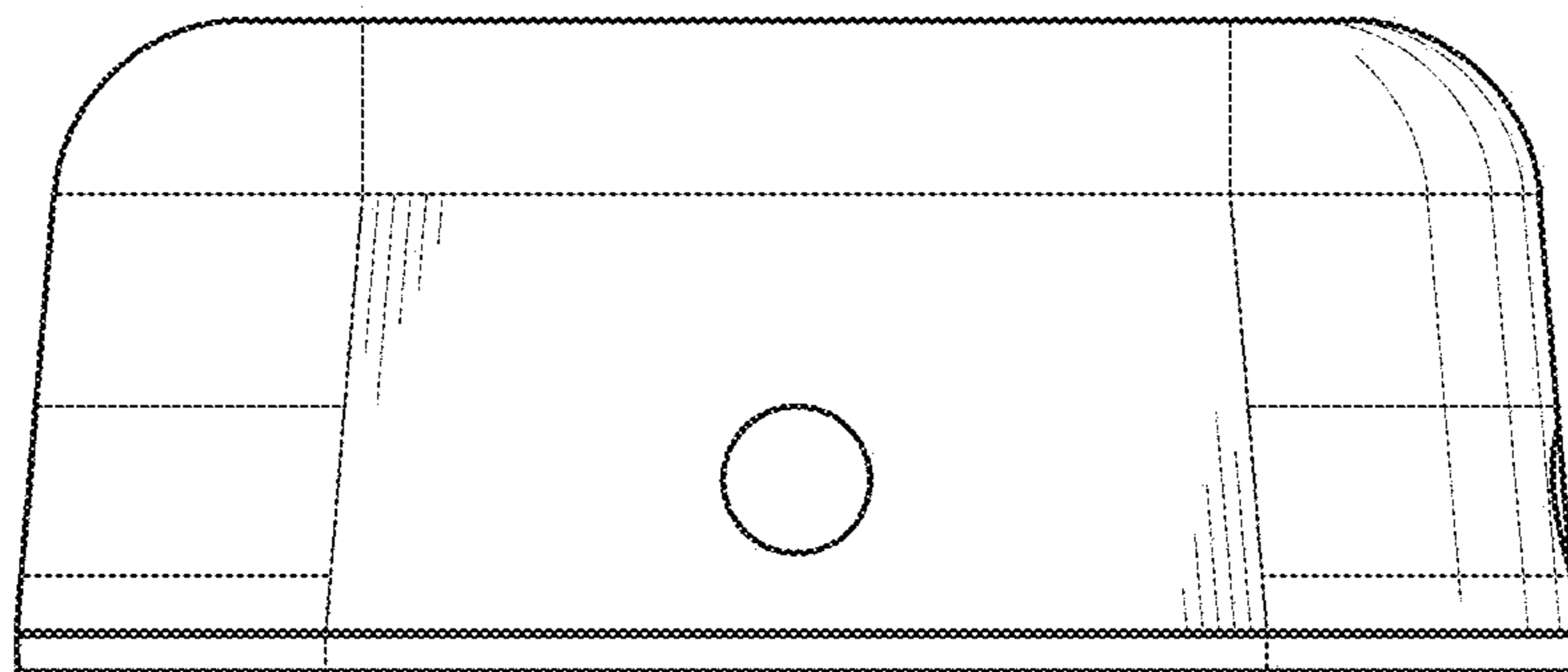


FIG. 3

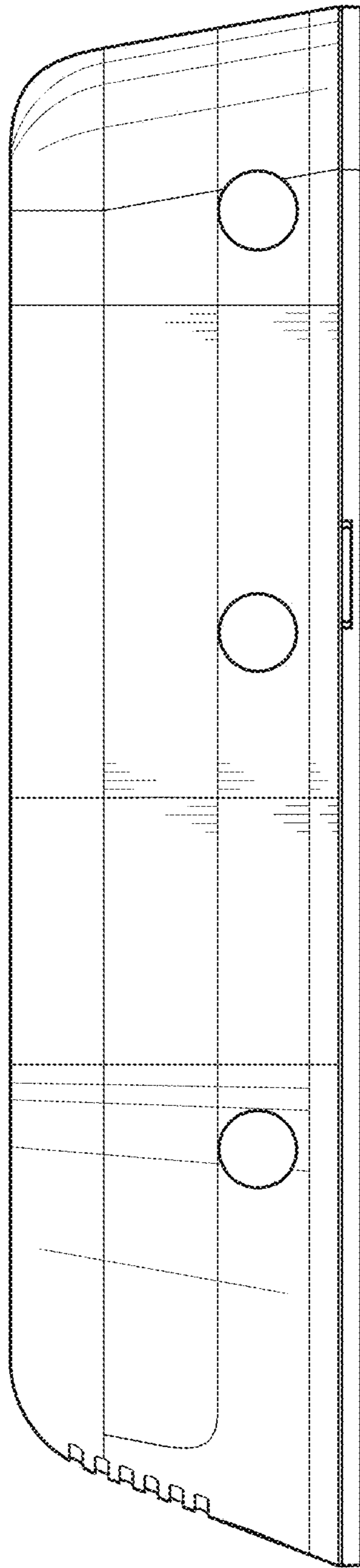


FIG. 4

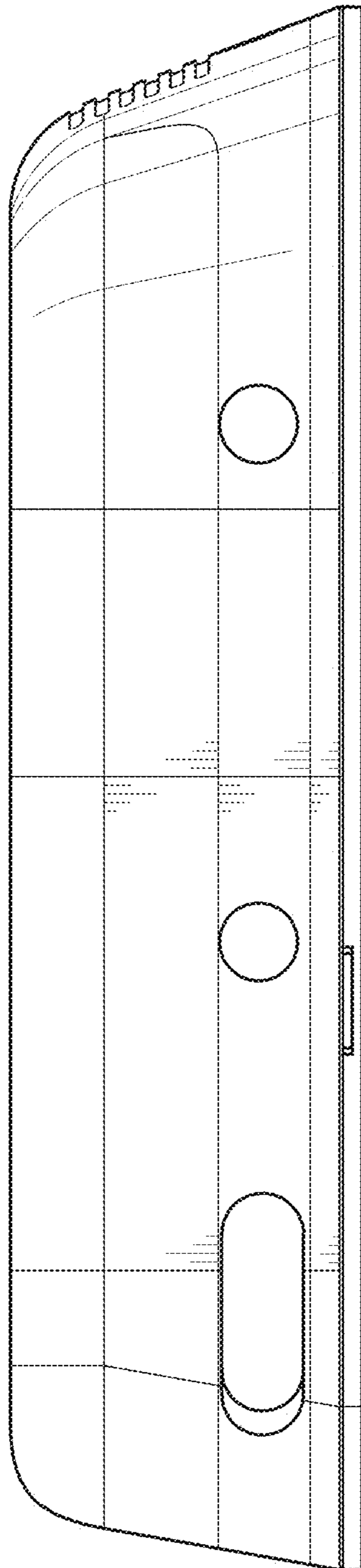


FIG. 5

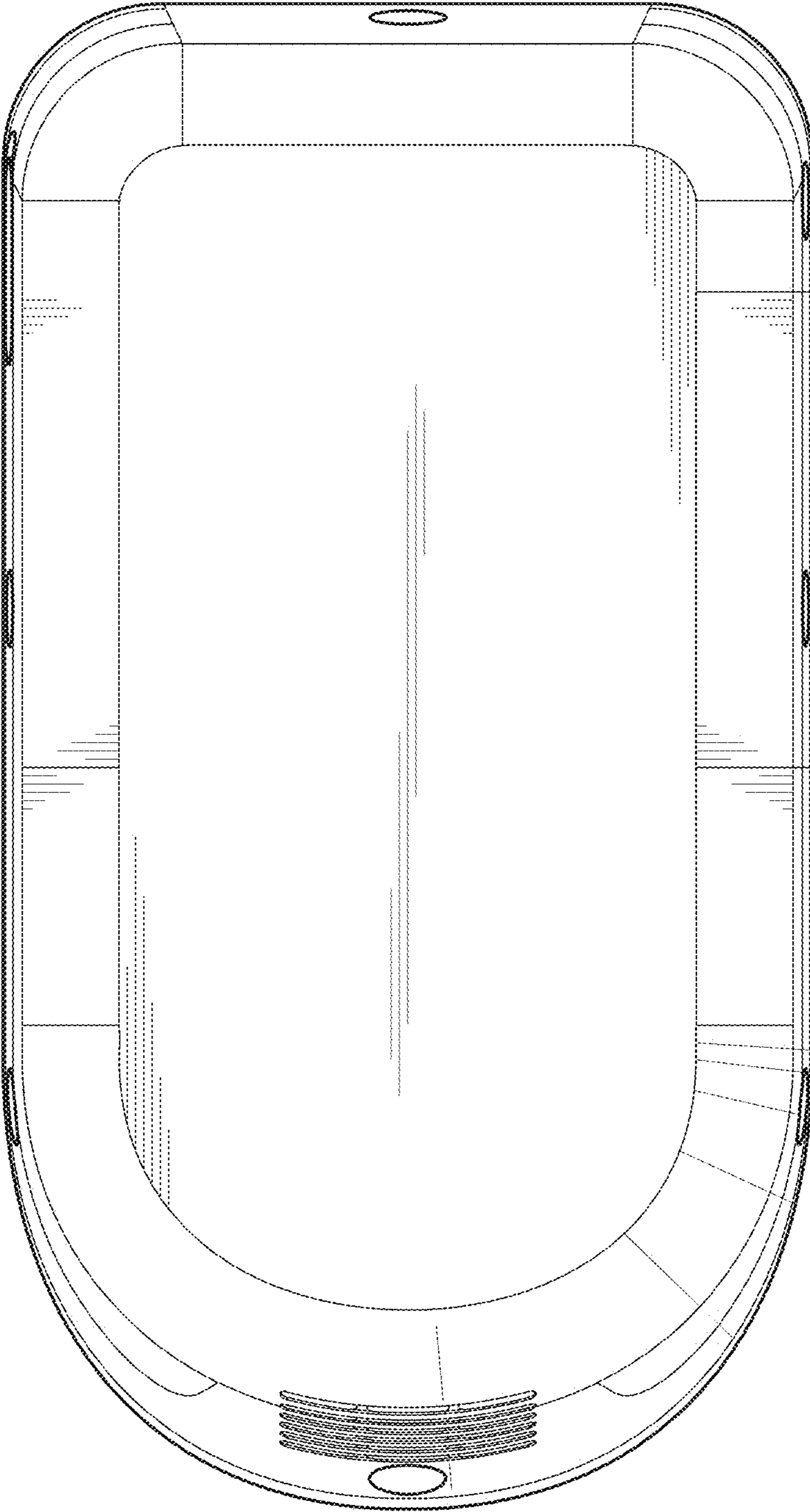


FIG. 6

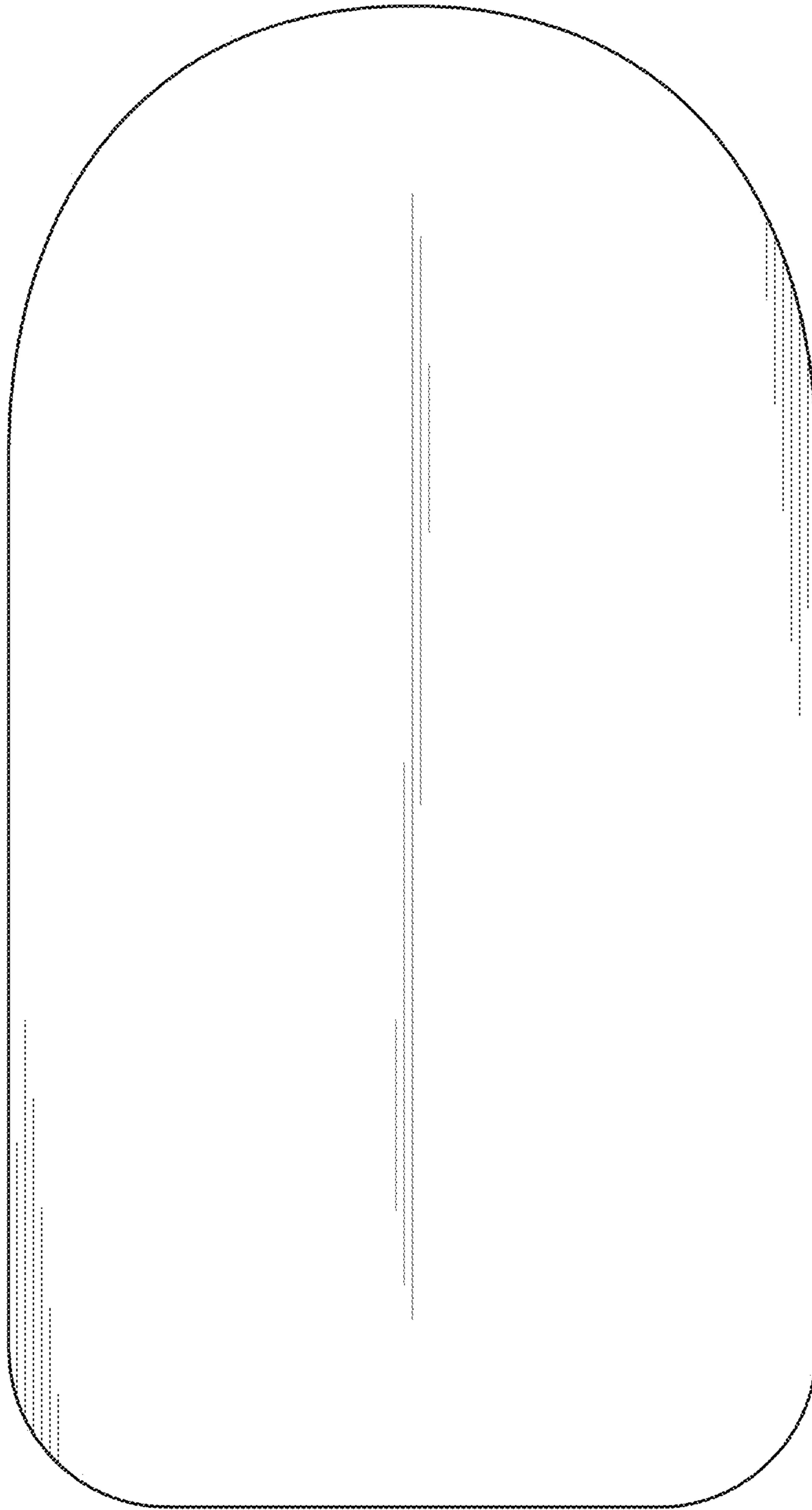


FIG. 7