



US00D986926S

(12) **United States Design Patent** (10) **Patent No.:** **US D986,926 S**
Perotti et al. (45) **Date of Patent:** **** May 23, 2023**

(54) **COAXIAL PNEUMATIC VALVE**
(71) Applicant: **OMAL SpA**, Rodengo-Saiano (IT)
(72) Inventors: **Fabio Perotti**, Rodengo-Saiano (IT);
Tanfoglio Gianpietro, Rodengo-Saiano (IT)

D892,980 S * 8/2020 Sato D23/233
D909,418 S * 2/2021 Nemoto D15/7
D909,419 S * 2/2021 Nemoto D15/7
D909,420 S * 2/2021 Nemoto D15/7
D948,579 S * 4/2022 Asahara D15/7
D951,999 S * 5/2022 Asahara D15/7

* cited by examiner

(73) Assignee: **OMAL SPA**, Rodengo-Saiano (IT)

Primary Examiner — Gino Colan

(**) Term: **15 Years**

(74) *Attorney, Agent, or Firm* — Volpe Koenig

(21) Appl. No.: **29/736,180**

(57) **CLAIM**

The ornamental design for coaxial pneumatic valve, as shown and described.

(22) Filed: **May 28, 2020**

DESCRIPTION

(51) **LOC (14) Cl.** **15-02**

(52) **U.S. Cl.**
USPC **D15/7**

(58) **Field of Classification Search**
USPC D15/5, 7, 9; D23/233–237, 241–250,
D23/259, 260, 262
CPC F16K 31/122; F16K 1/36; F16K 27/029
See application file for complete search history.

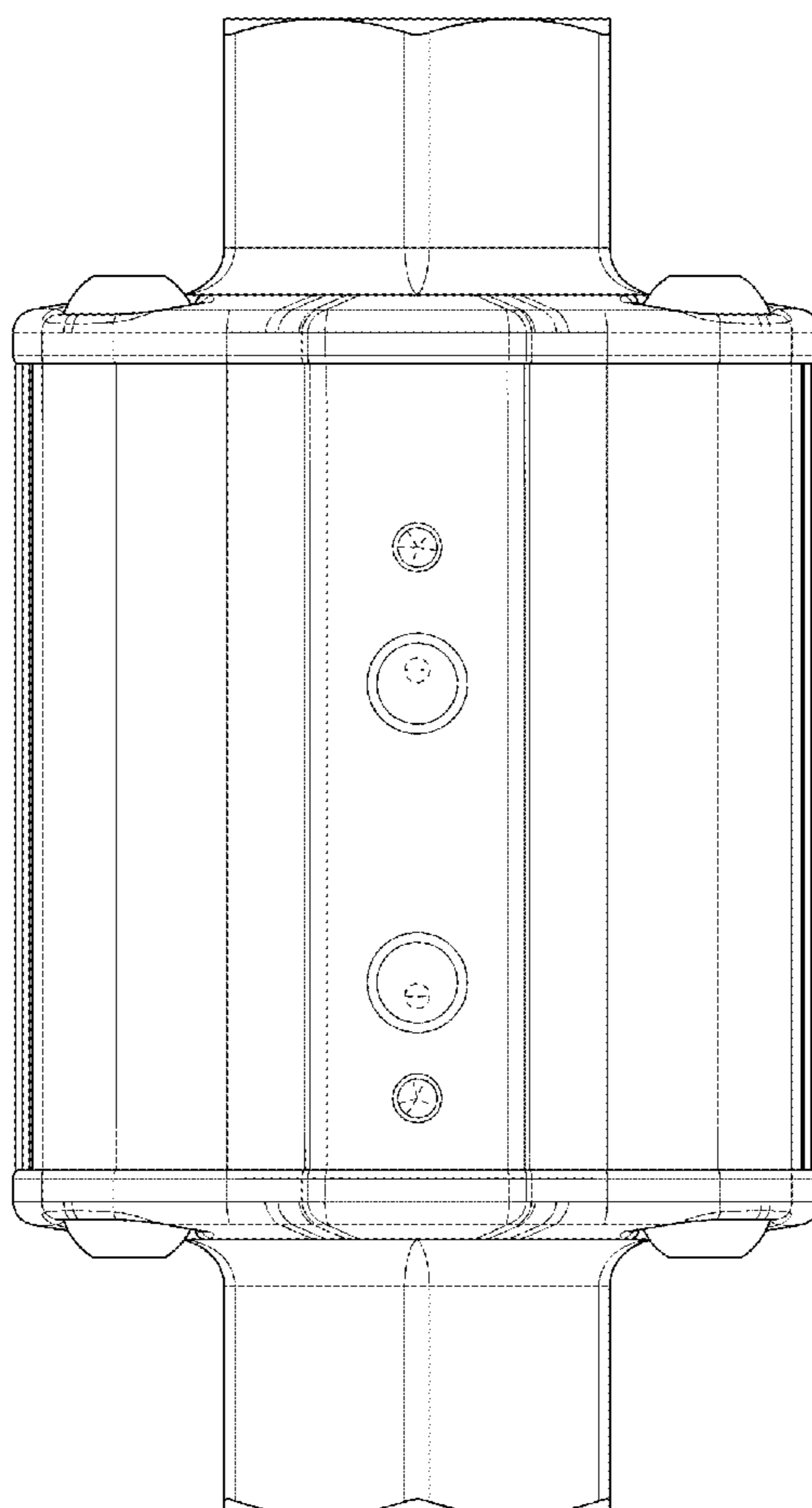
FIG. 1 is a top view of our design;
FIG. 2 is a bottom view thereof;
FIG. 3 is a front view thereof, the rear view being identical thereto;
FIG. 4 is a left side view thereof;
FIG. 5 is a right side view thereof;
FIG. 6 is a top perspective view thereof; and,
FIG. 7 is a bottom perspective view thereof.
The broken lines shown in the figures are included for the purpose of illustrating portions of the coaxial pneumatic valve that form no part of the claimed design.

(56) **References Cited**

U.S. PATENT DOCUMENTS

D888,769 S * 6/2020 Mizutani D15/7
D888,771 S * 6/2020 Mizutani D15/7

1 Claim, 7 Drawing Sheets



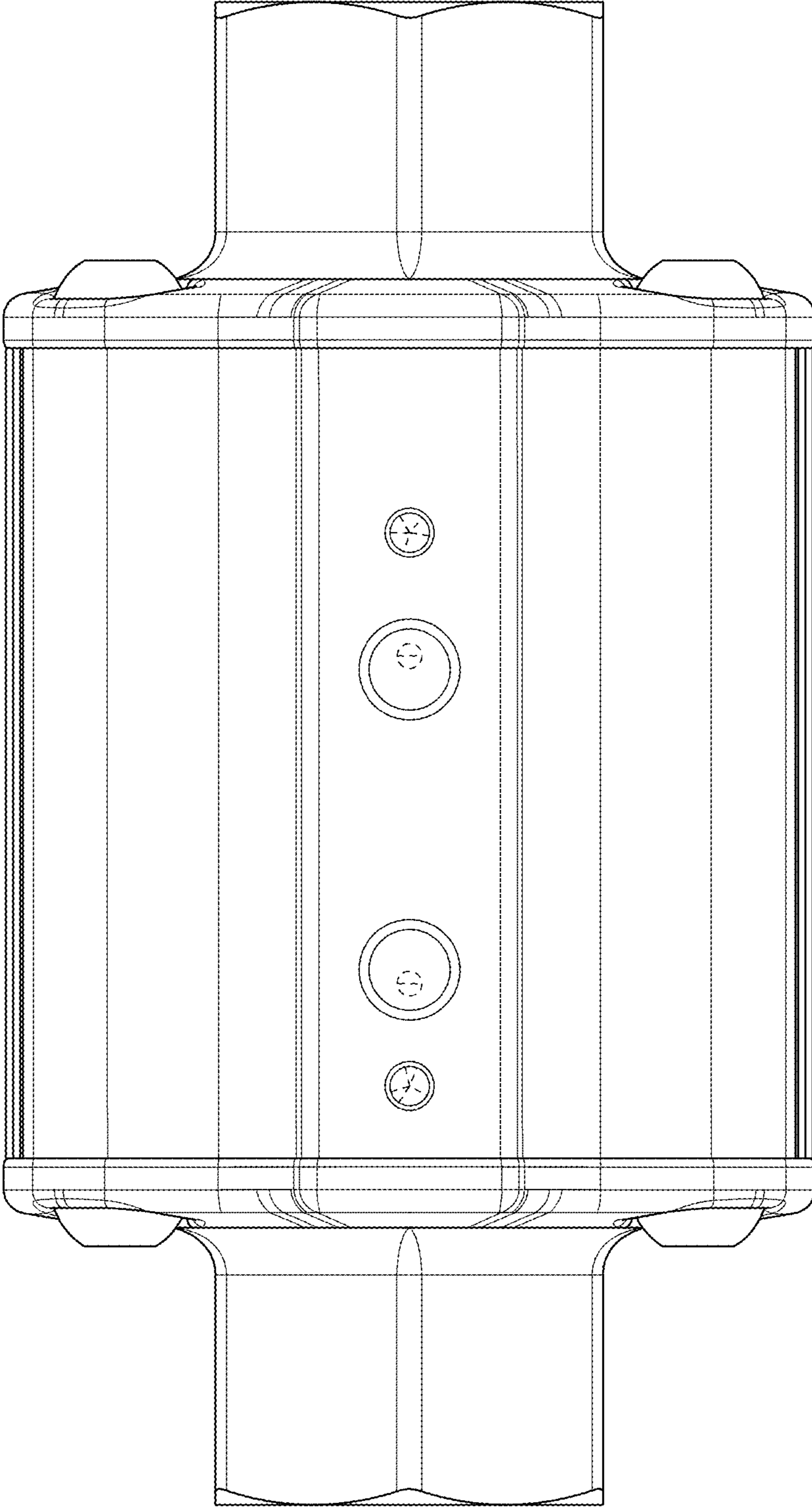


FIG. 1

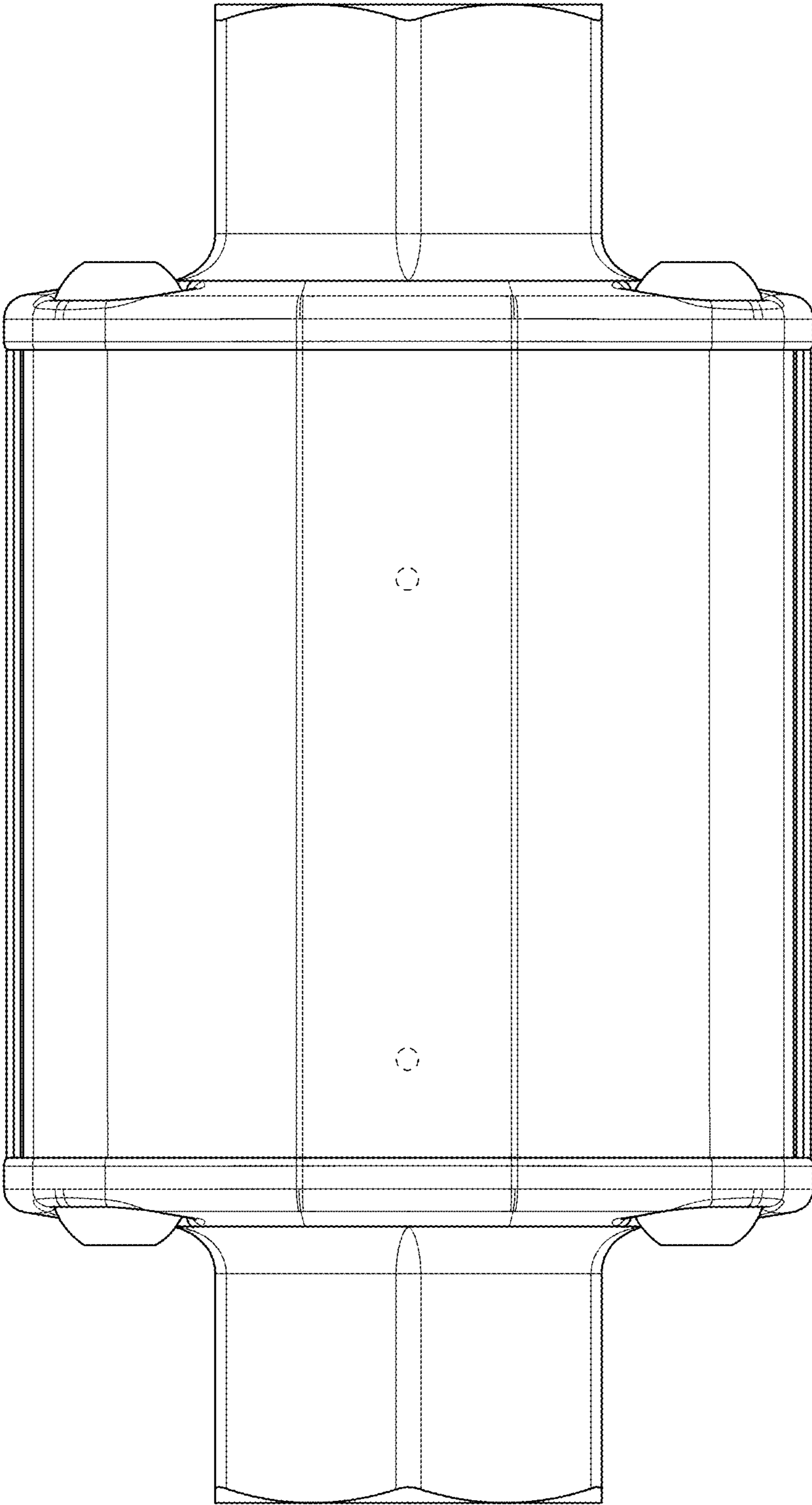


FIG. 2

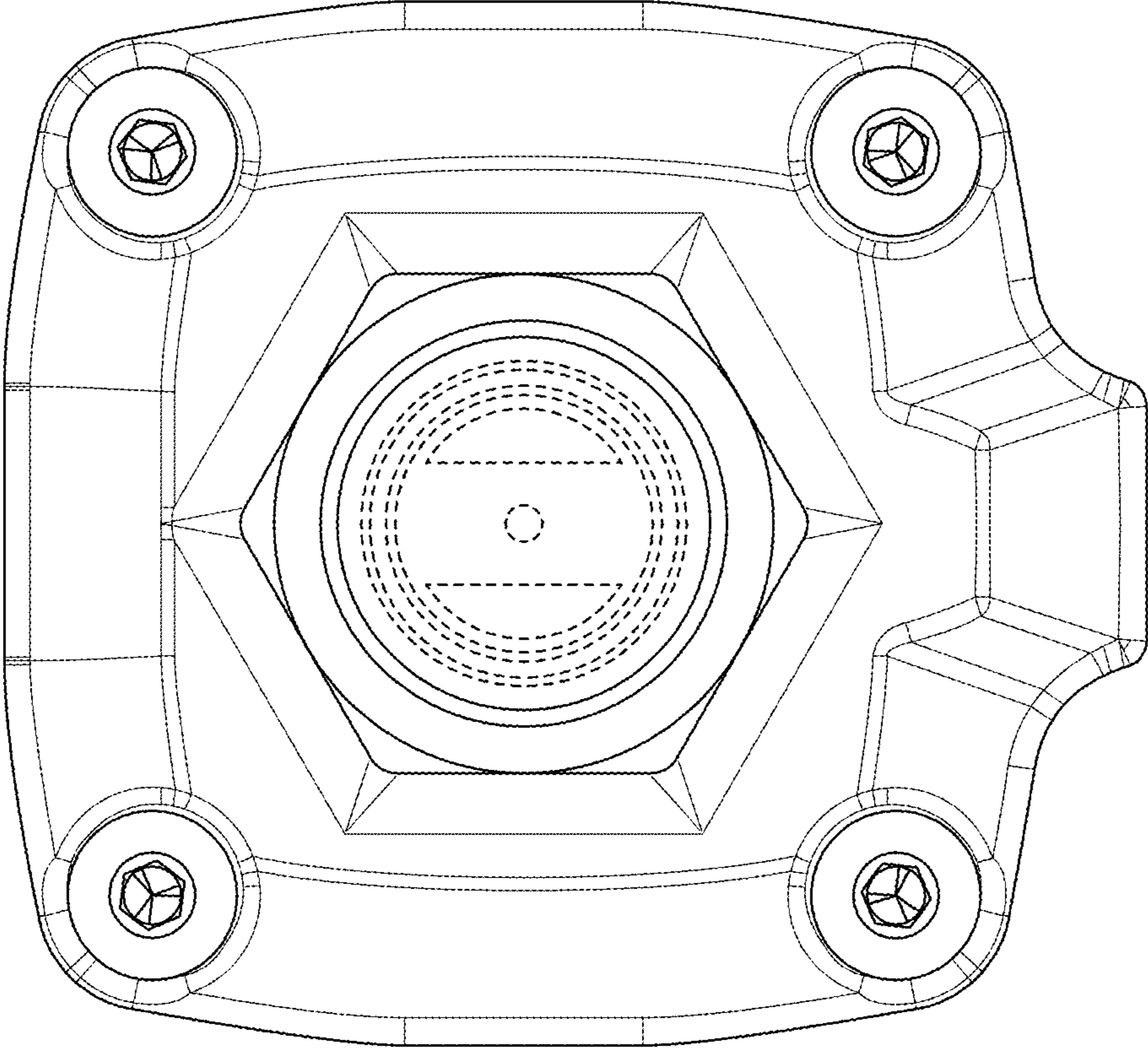


FIG. 3

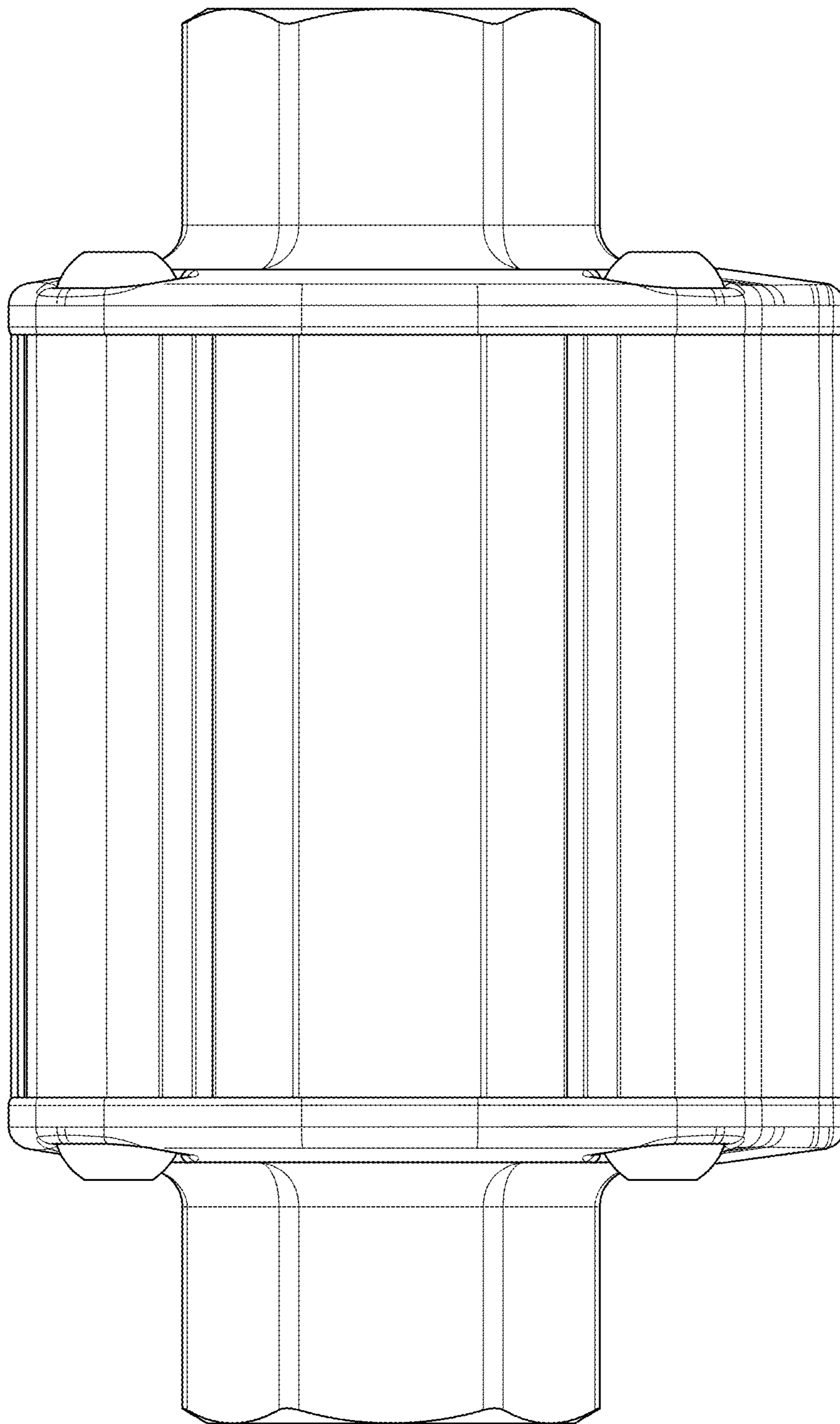


FIG. 4

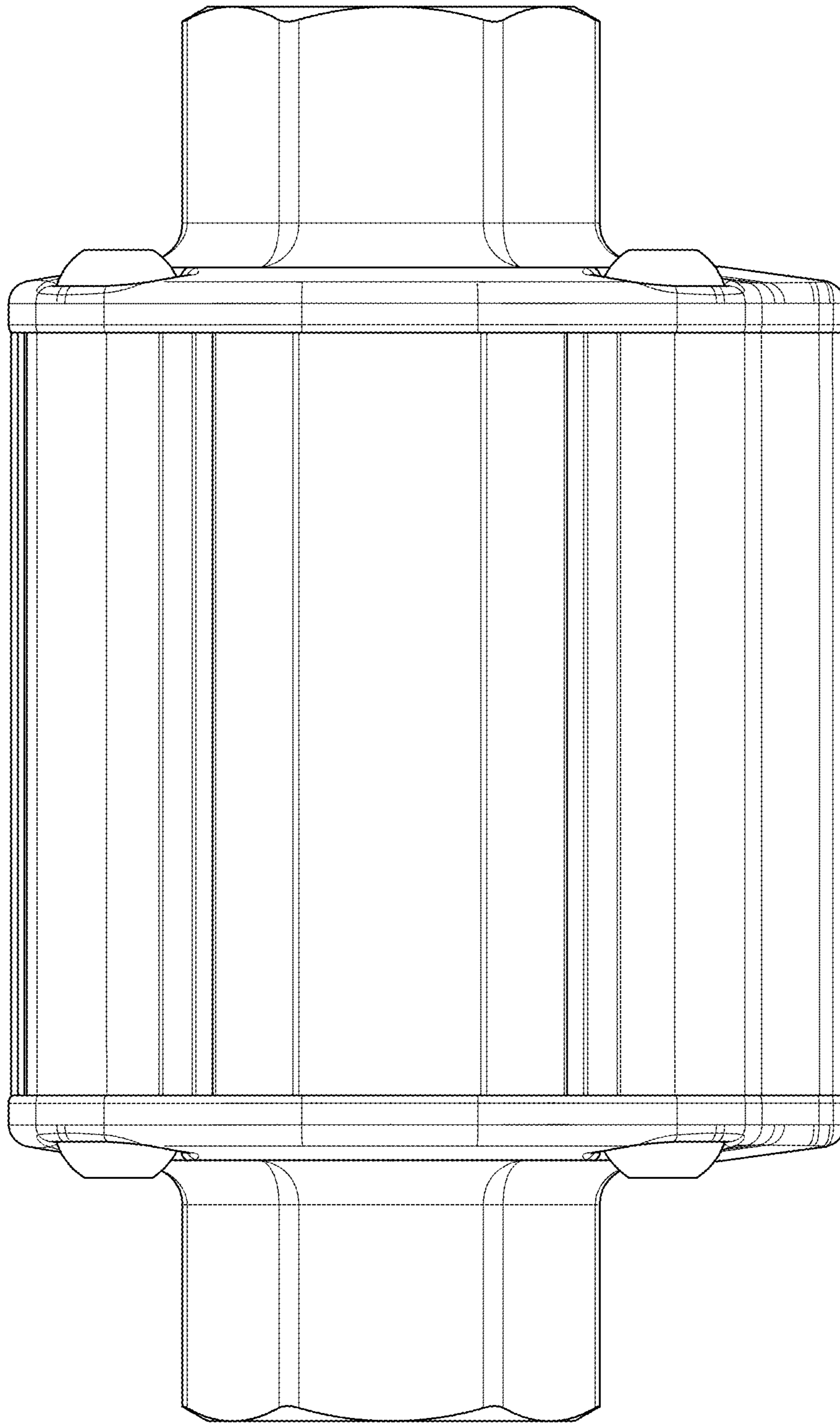


FIG. 5

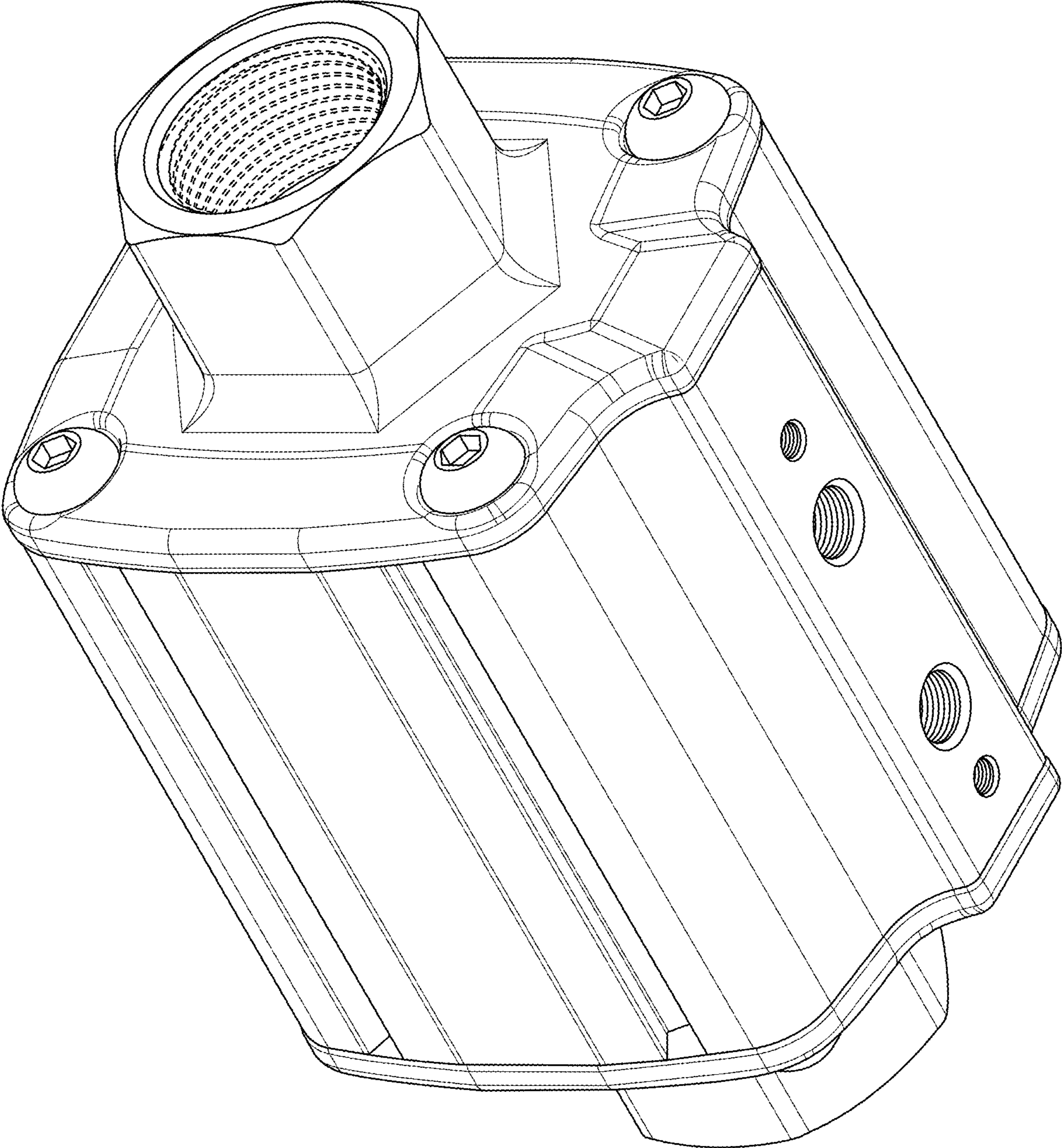


FIG. 6

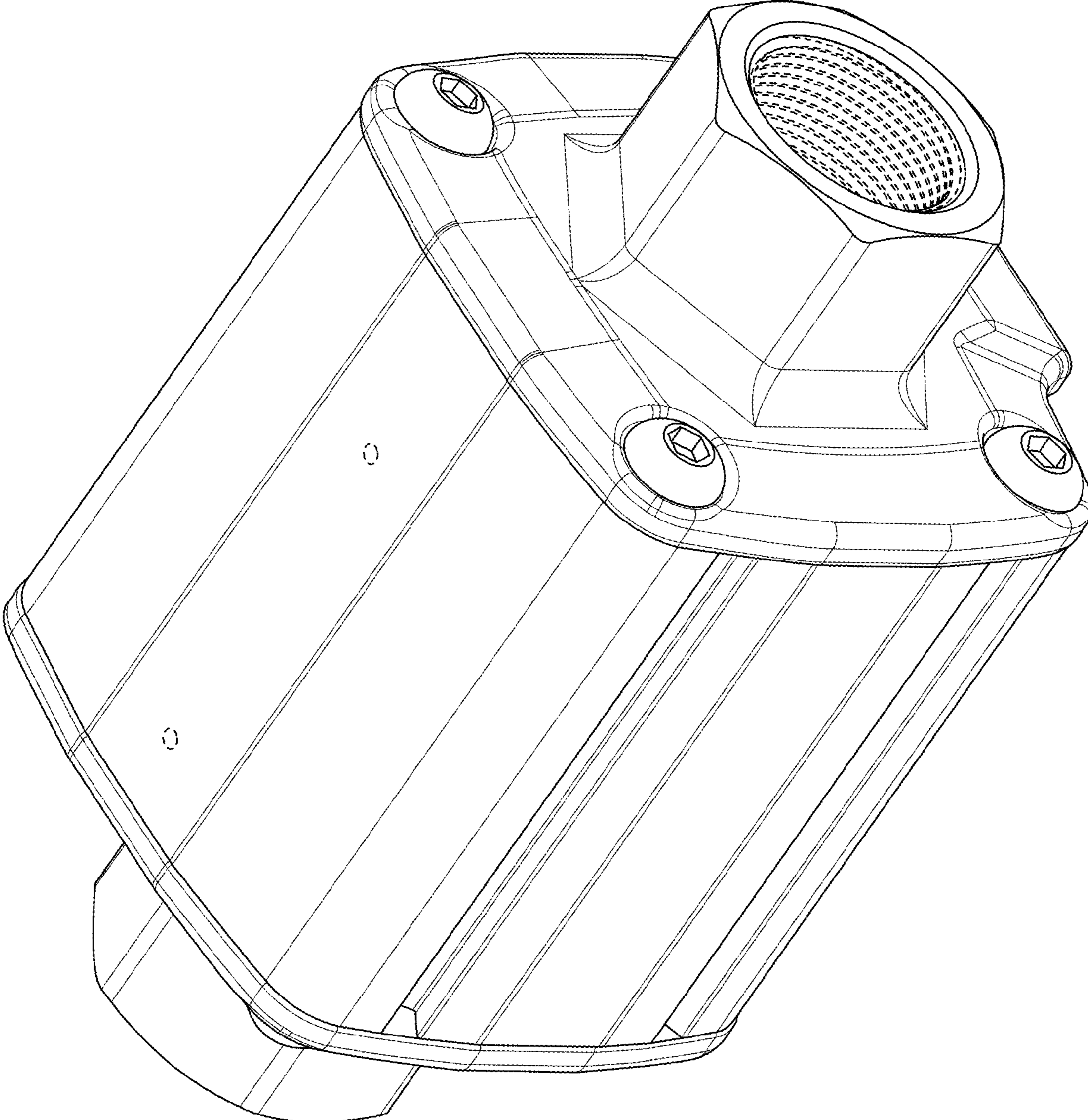


FIG. 7