



US00D986920S

(12) **United States Design Patent**
Hsieh et al.

(10) **Patent No.:** **US D986,920 S**
(45) **Date of Patent:** **** May 23, 2023**

(54) **DISPLAY SCREEN OR PORTION THEREOF WITH A MIXED REALITY GRAPHICAL USER INTERFACE**

(71) Applicant: **HES IP HOLDINGS, LLC**, Spring, TX (US)

(72) Inventors: **Shan-Ni Hsieh**, Tainan (TW); **Po-Ya Hsu**, New Taipei (TW); **Yung-Chin Hsiao**, Taipei (TW)

(73) Assignee: **HES IP HOLDINGS, LLC**, Spring, TX (US)

(**) Term: **15 Years**

(21) Appl. No.: **29/801,620**

(22) Filed: **Jul. 29, 2021**

(51) **LOC (14) Cl.** **14-04**

(52) **U.S. Cl.**
USPC **D14/487**

(58) **Field of Classification Search**
USPC D14/485–495

(Continued)

(56) **References Cited**

U.S. PATENT DOCUMENTS

D550,233 S * 9/2007 Vigesaa D14/487
D641,372 S * 7/2011 Gardner D14/486

(Continued)

Primary Examiner — Daniel J Domino

(74) *Attorney, Agent, or Firm* — Chen Yoshimura LLP

(57) **CLAIM**

The ornamental design for a display screen or portion thereof with a mixed reality graphical user interface, as shown and described.

DESCRIPTION

FIG. 1 shows a display screen or portion thereof with a first embodiment of a mixed reality graphical user interface;

FIG. 2 shows a display screen or portion thereof with a second embodiment of a mixed reality graphical user interface;

FIG. 3 shows a display screen or portion thereof with a third embodiment of a mixed reality graphical user interface;

FIG. 4 shows a display screen or portion thereof with a fourth embodiment of a mixed reality graphical user interface;

FIG. 5 shows a display screen or portion thereof with a fifth embodiment of a mixed reality graphical user interface;

FIG. 6 shows a display screen or portion thereof with a sixth embodiment of a mixed reality graphical user interface;

FIG. 7 shows a display screen or portion thereof with a seventh embodiment of a mixed reality graphical user interface;

FIG. 8 shows a display screen or portion thereof with an eighth embodiment of a mixed reality graphical user interface;

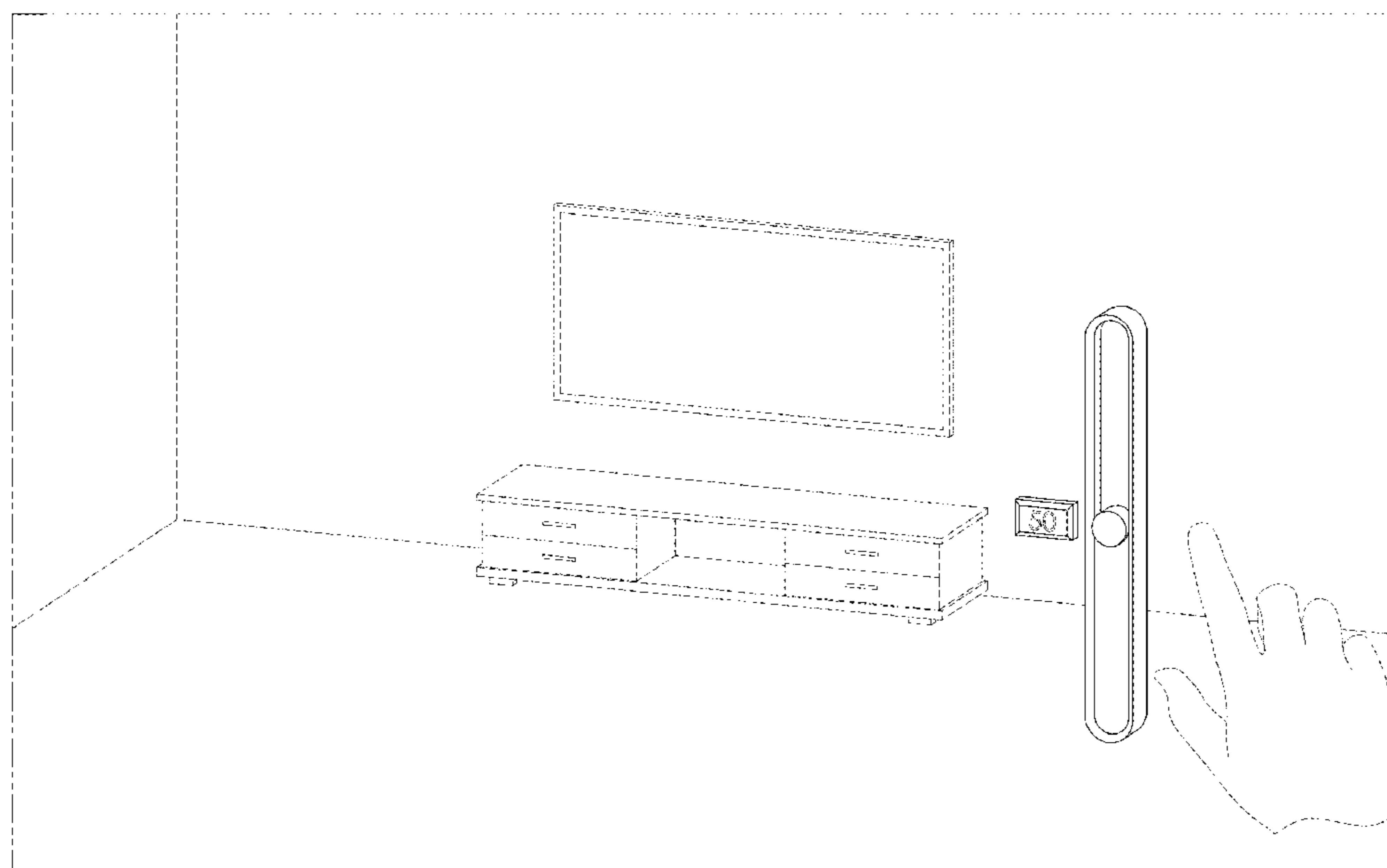
FIG. 9 shows a display screen or portion thereof with a ninth embodiment of a mixed reality graphical user interface;

FIG. 10 shows a display screen or portion thereof with a tenth embodiment of a mixed reality graphical user interface; and,

FIG. 11 shows a display screen or portion thereof with an eleventh embodiment of a mixed reality graphical user interface.

The outermost long dashed double-short dashed broken lines show the field of view for the display screen or portion thereof, and form no part of the claimed design. The remaining broken lines illustrate the graphical user interface or a mixed reality environment, and form no part of the claimed design.

1 Claim, 11 Drawing Sheets



(58) **Field of Classification Search**

CPC G06F 3/048; G06F 3/0481; G06F 3/04812;
 G06F 3/04815; G06F 3/04817; G06F
 3/0482; G06F 3/0483; G06F 3/0484;
 G06F 3/04842; G06F 3/04845; G06F
 3/04847; G06F 3/0485; G06F 3/04855;
 G06F 3/0486; G06F 3/0487; G06F
 3/0488; G06F 3/04883; G06F 3/04886

See application file for complete search history.

(56) **References Cited**

U.S. PATENT DOCUMENTS

D643,438 S * 8/2011 Gardner D14/486
 D644,663 S * 9/2011 Gardner D14/495
 D667,451 S * 9/2012 Wujcik D14/492
 D671,550 S * 11/2012 Chen D14/486
 D678,899 S * 3/2013 Gleasman D14/487
 D683,748 S * 6/2013 Chutani G16H 10/60
 D14/487

D746,852 S * 1/2016 Zhou D14/487
 D752,631 S * 3/2016 Yun D14/487
 D762,675 S * 8/2016 Lim D14/486
 D768,154 S * 10/2016 Kim D14/485
 D773,483 S * 12/2016 Leventhal D14/485
 D797,138 S * 9/2017 Reiter D14/487
 D826,956 S * 8/2018 Pillalamarri D14/485
 D905,730 S * 12/2020 Newsom D14/487
 D909,398 S * 2/2021 Fremine D14/485
 D910,054 S 2/2021 Silfver et al.
 D910,660 S 2/2021 Chaturvedi et al.
 D915,424 S * 4/2021 Elgena D14/487
 D916,851 S 4/2021 Crandall et al.
 D935,478 S 11/2021 Shaviv et al.
 D936,079 S * 11/2021 Soccorsy D14/485
 D937,316 S * 11/2021 Soccorsy D14/488
 D937,890 S * 12/2021 Behzadi D14/487
 D949,197 S * 4/2022 Elgena D14/489
 D958,827 S * 7/2022 Behzadi D14/487
 D964,398 S * 9/2022 Cohen D14/485
 D968,438 S * 11/2022 Kim D14/486
 D969,857 S * 11/2022 Alfonzo D14/487

* cited by examiner

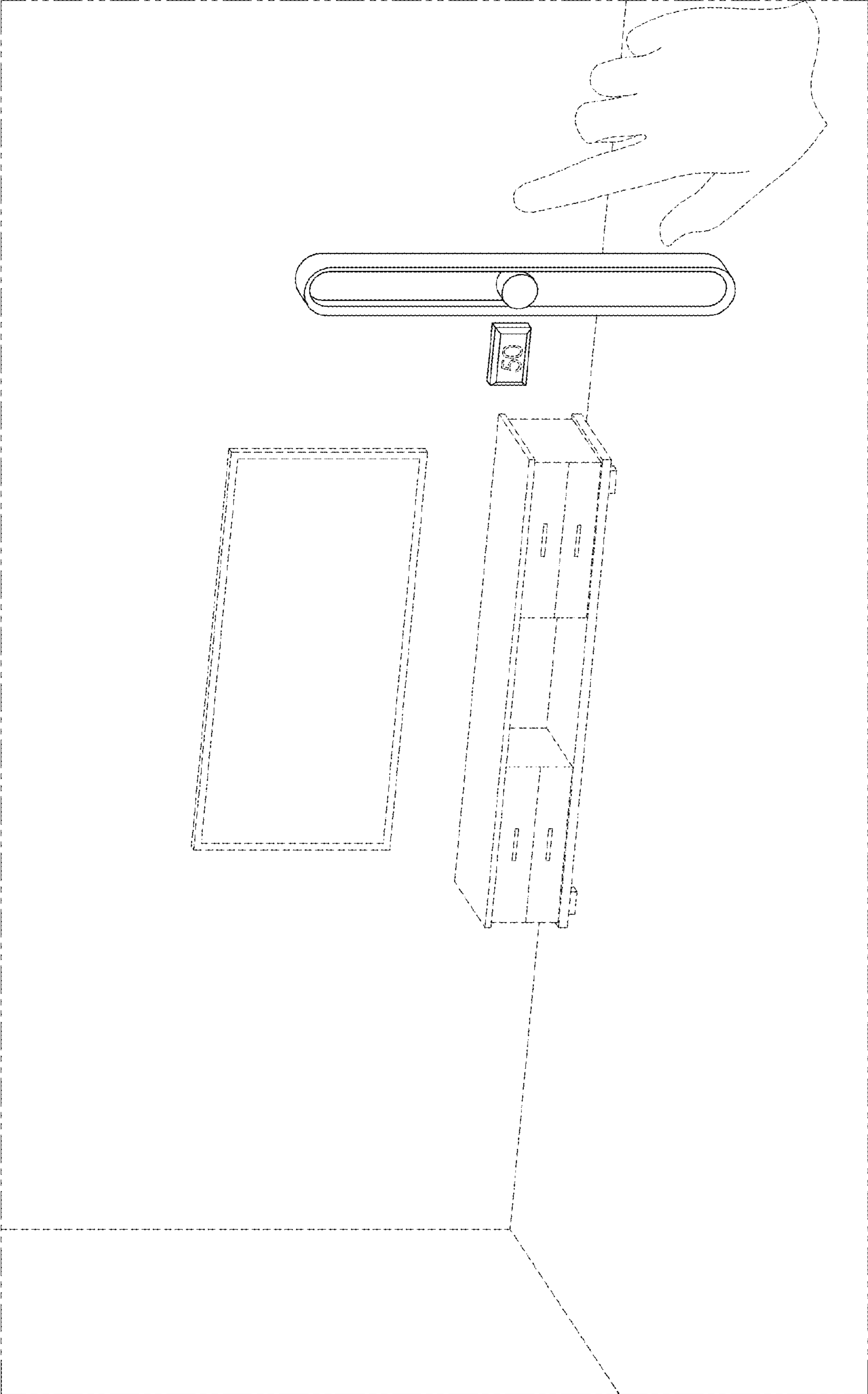


FIG. 1

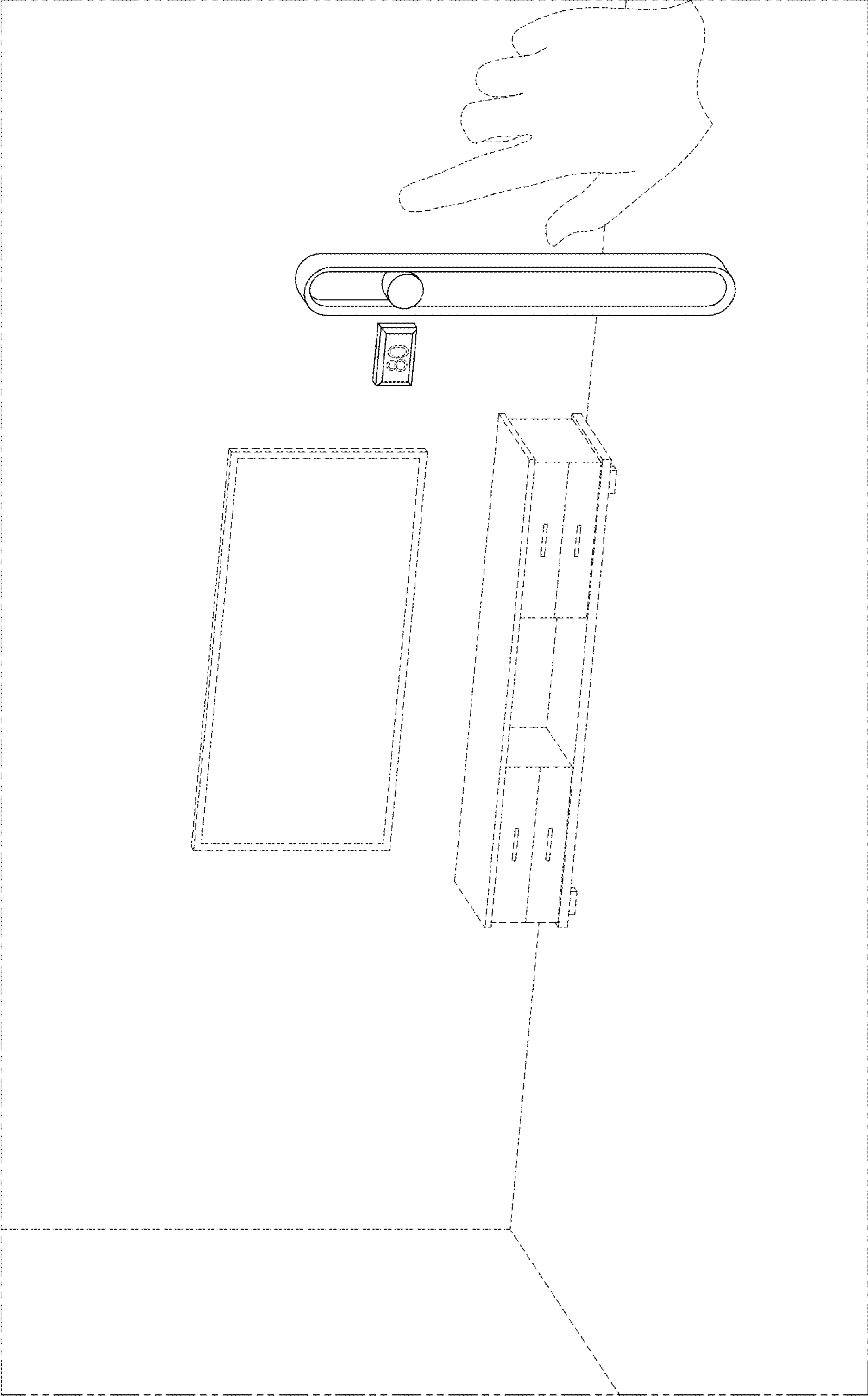


FIG. 2

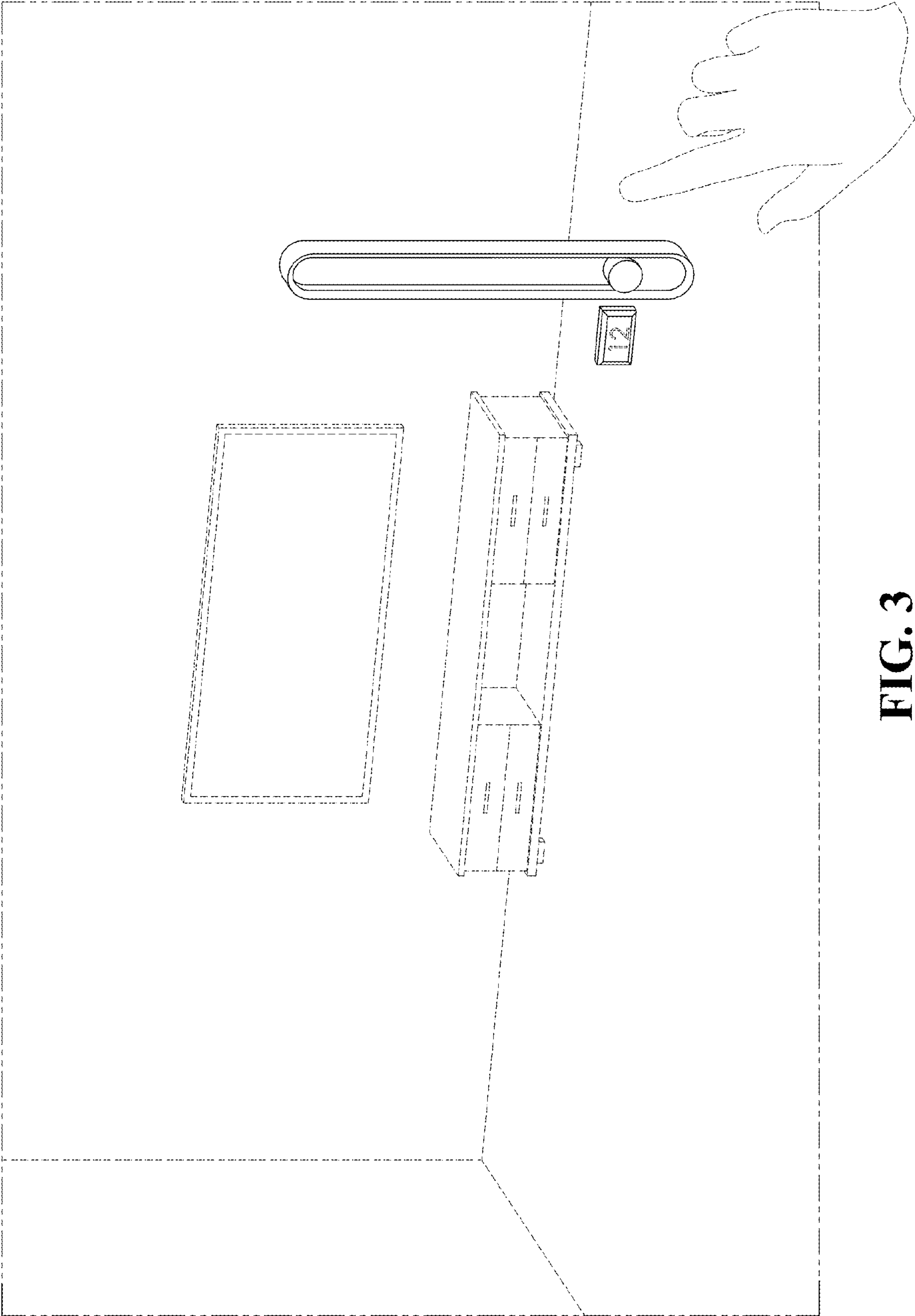


FIG. 3

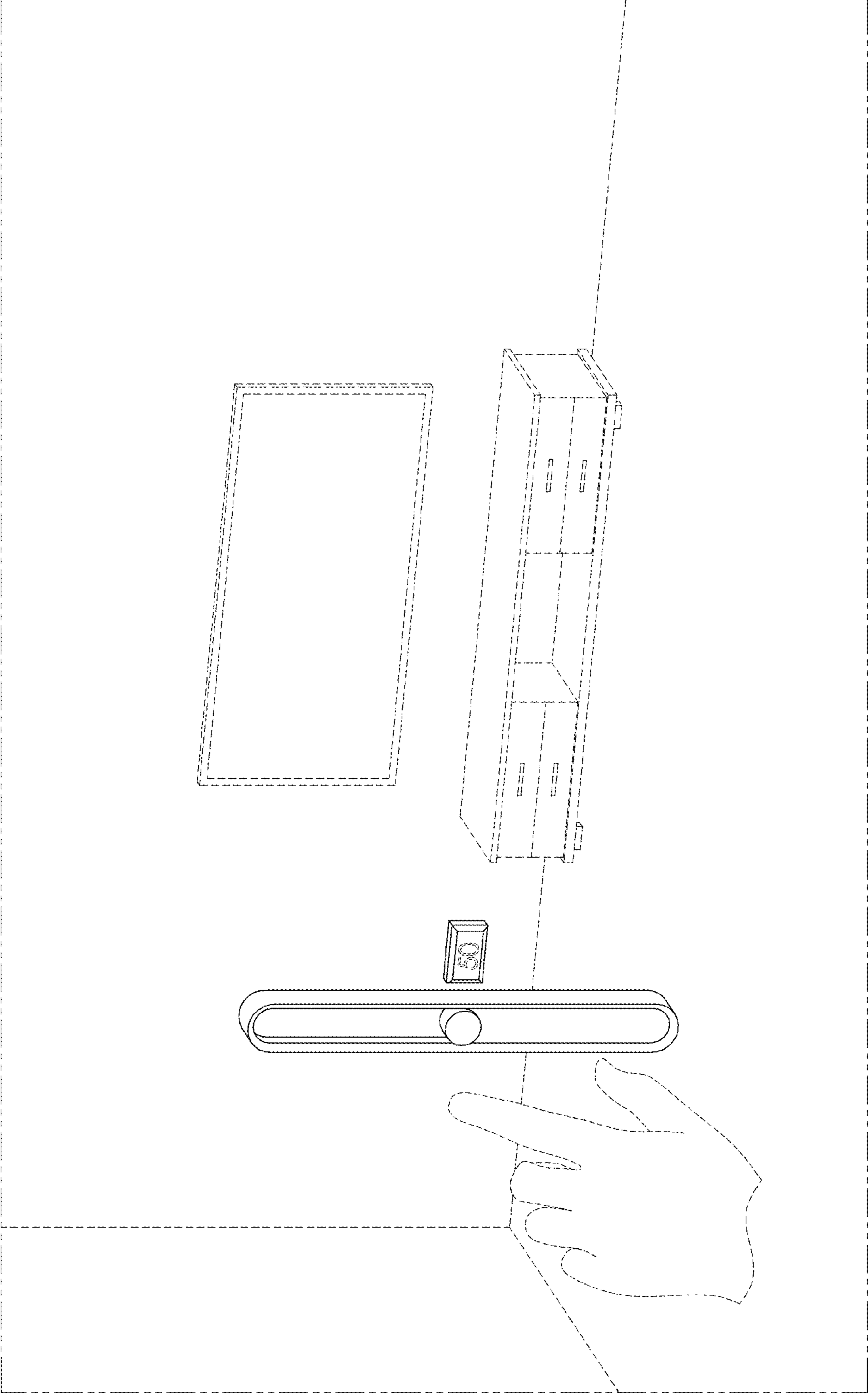


FIG. 4

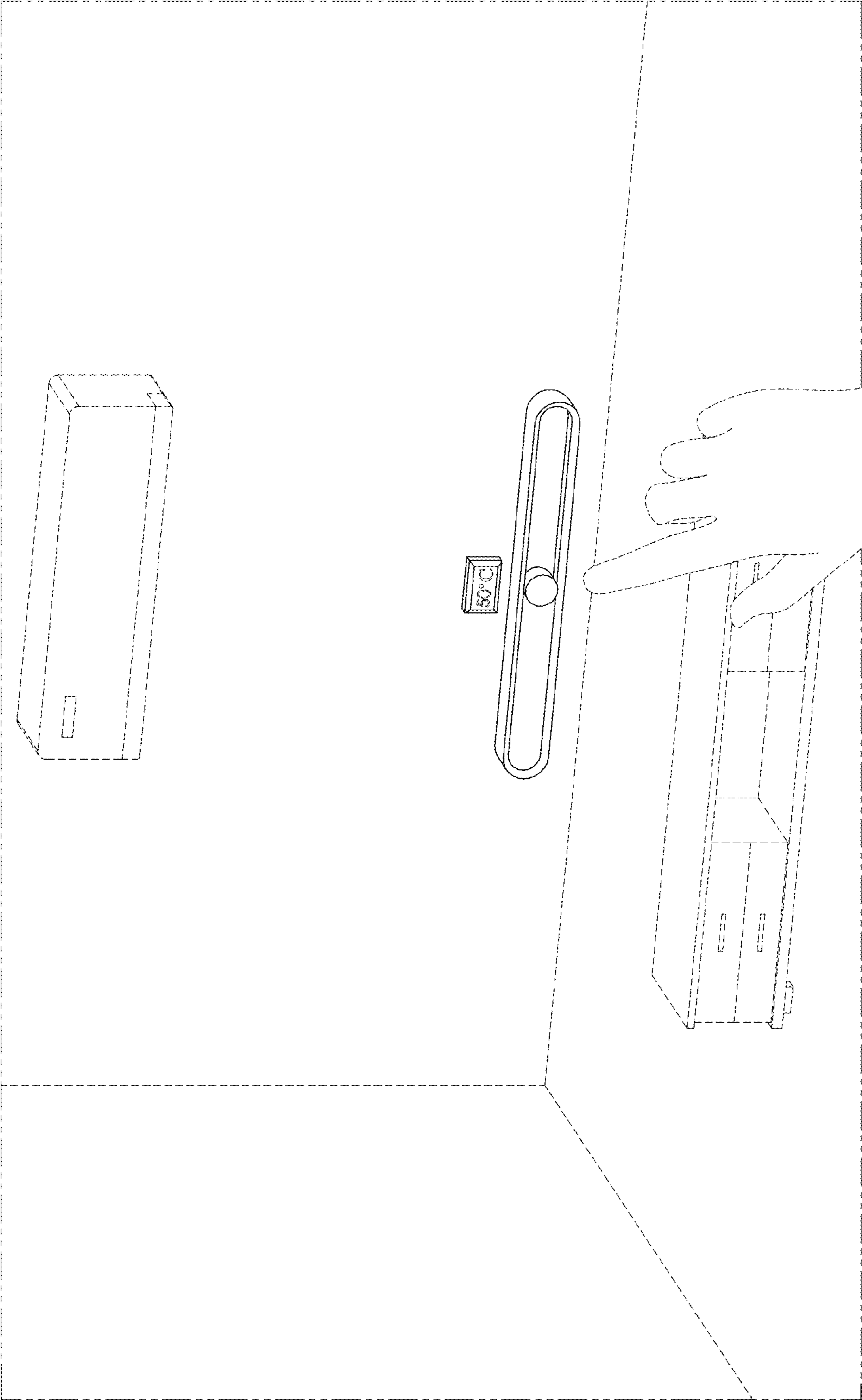


FIG. 5

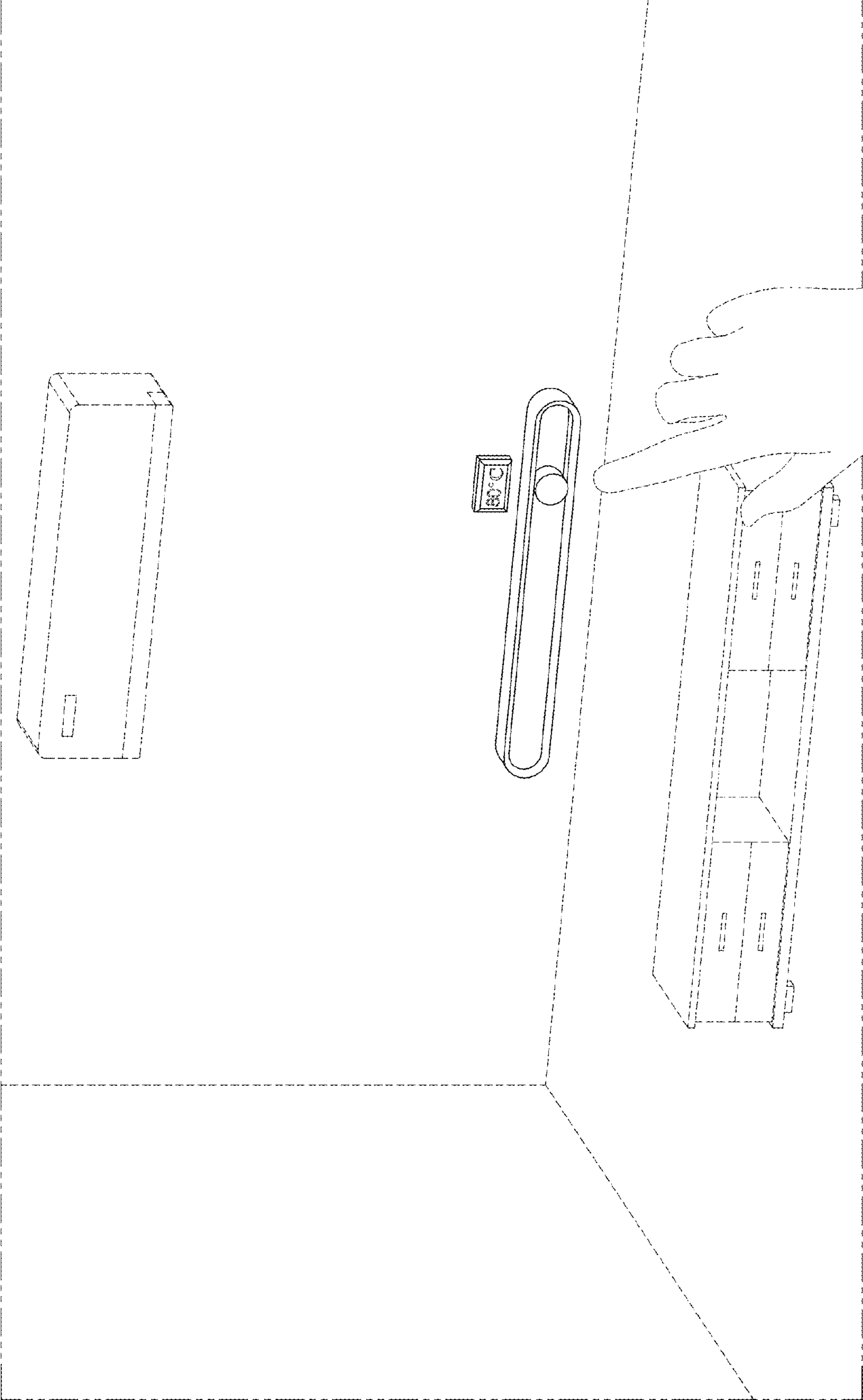


FIG. 6

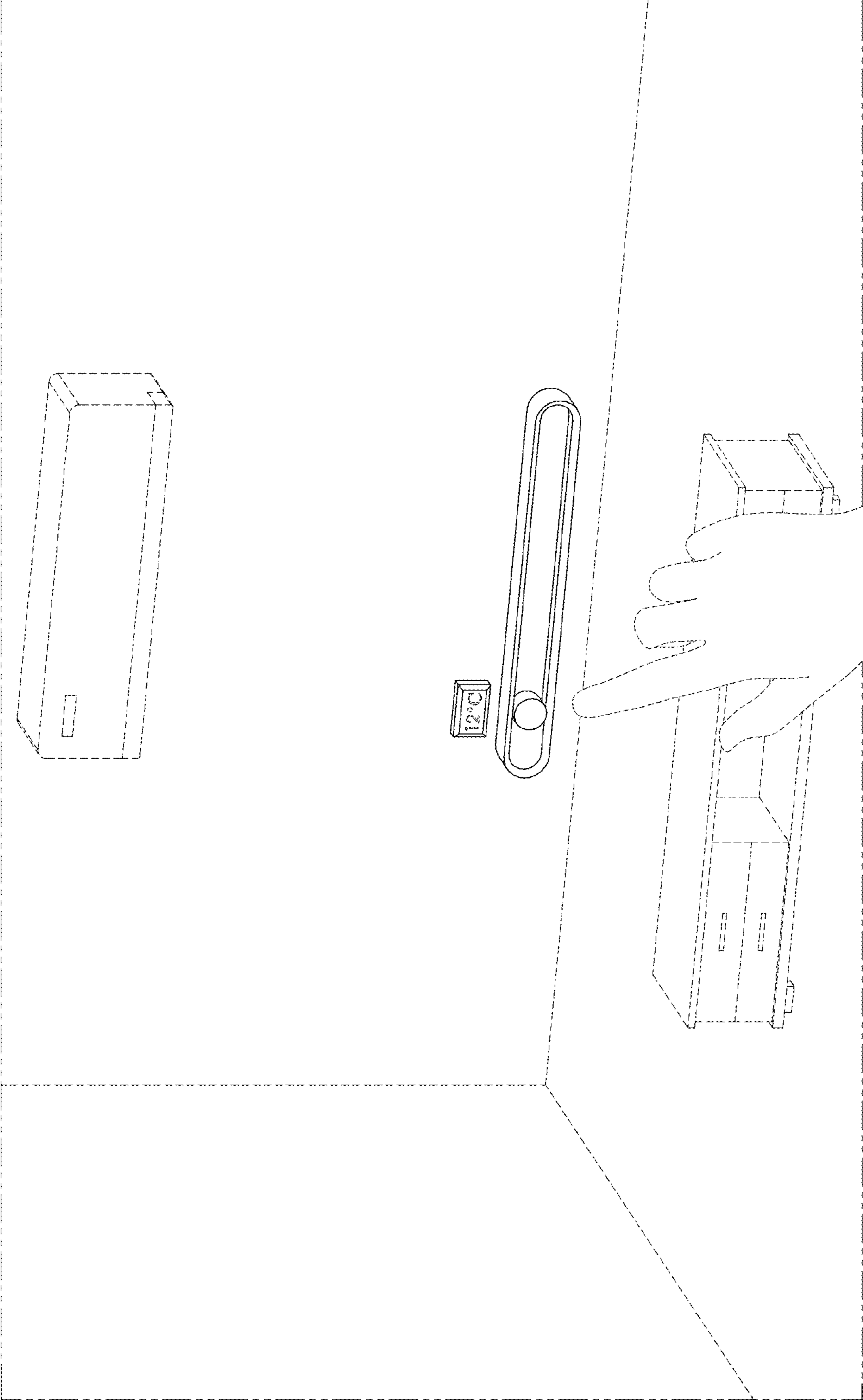


FIG. 7

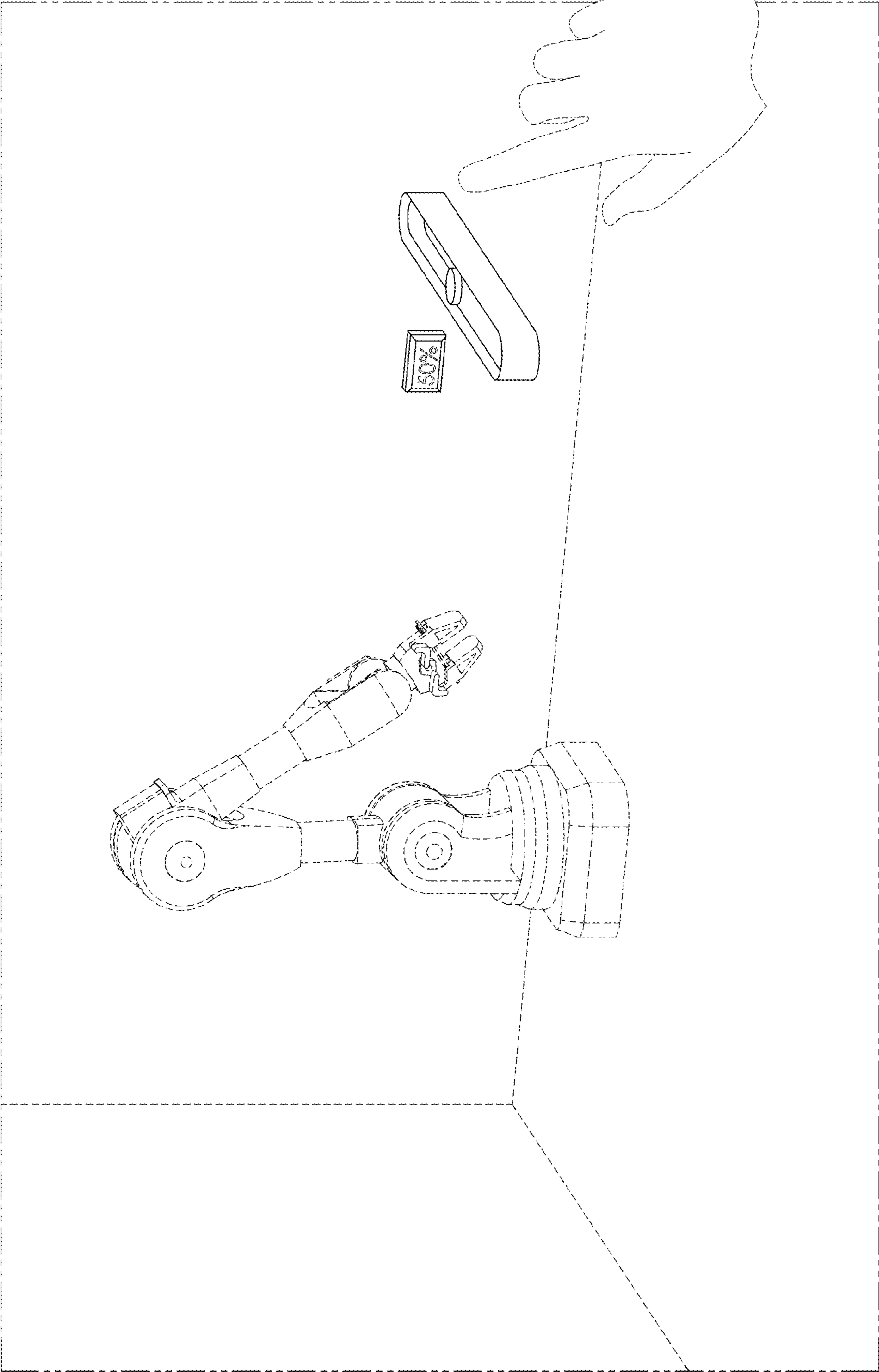


FIG. 8

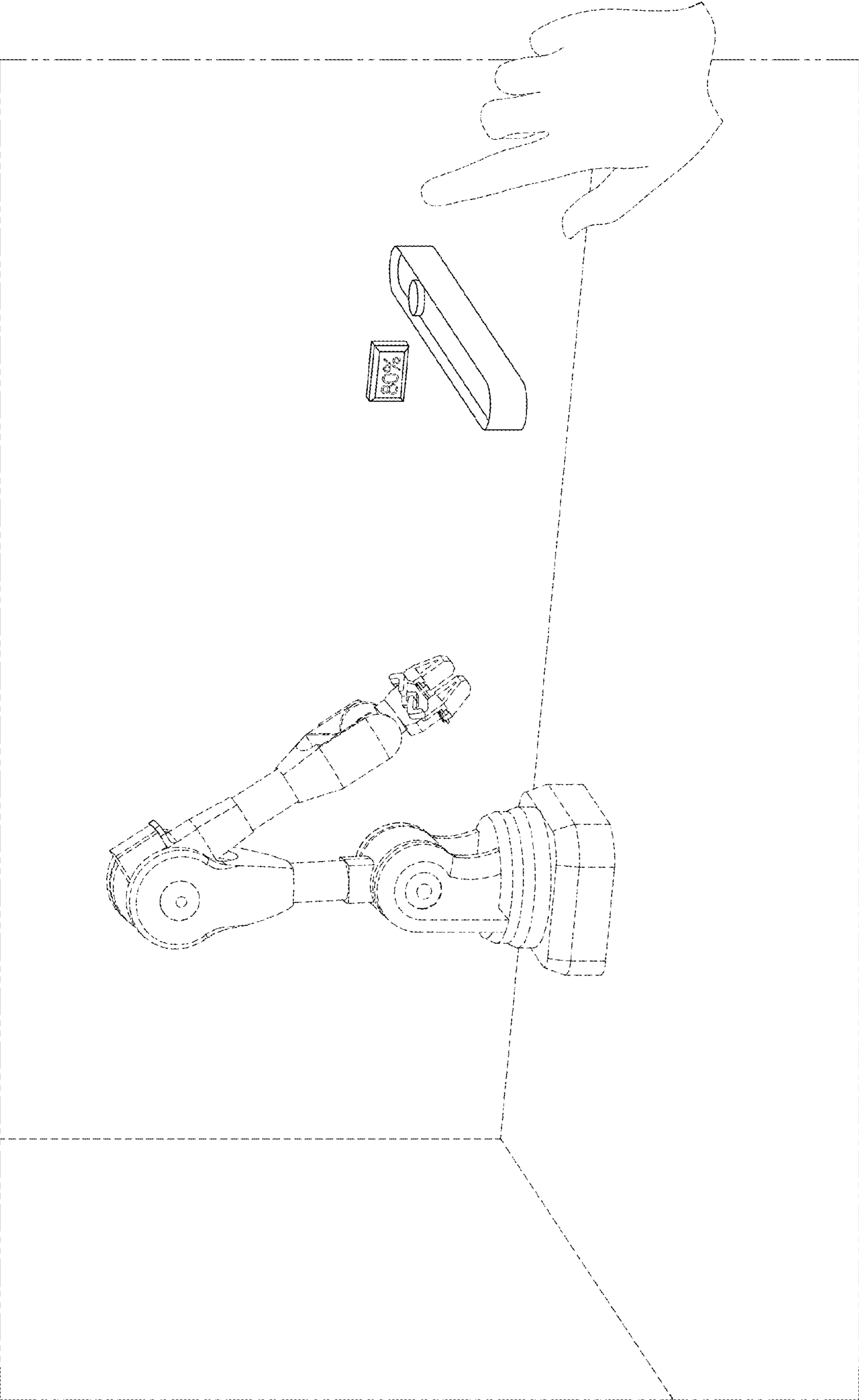


FIG. 9

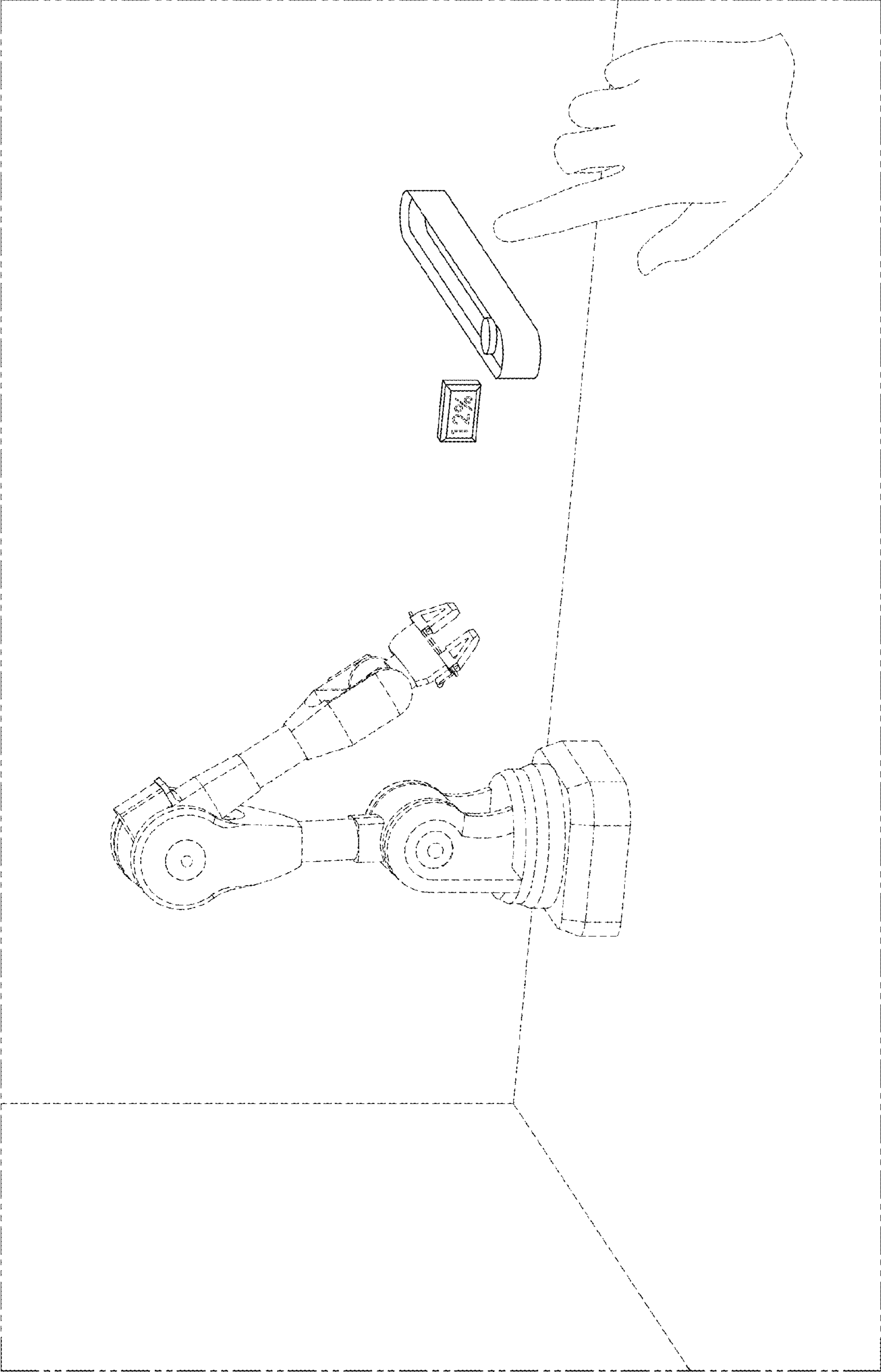


FIG. 10

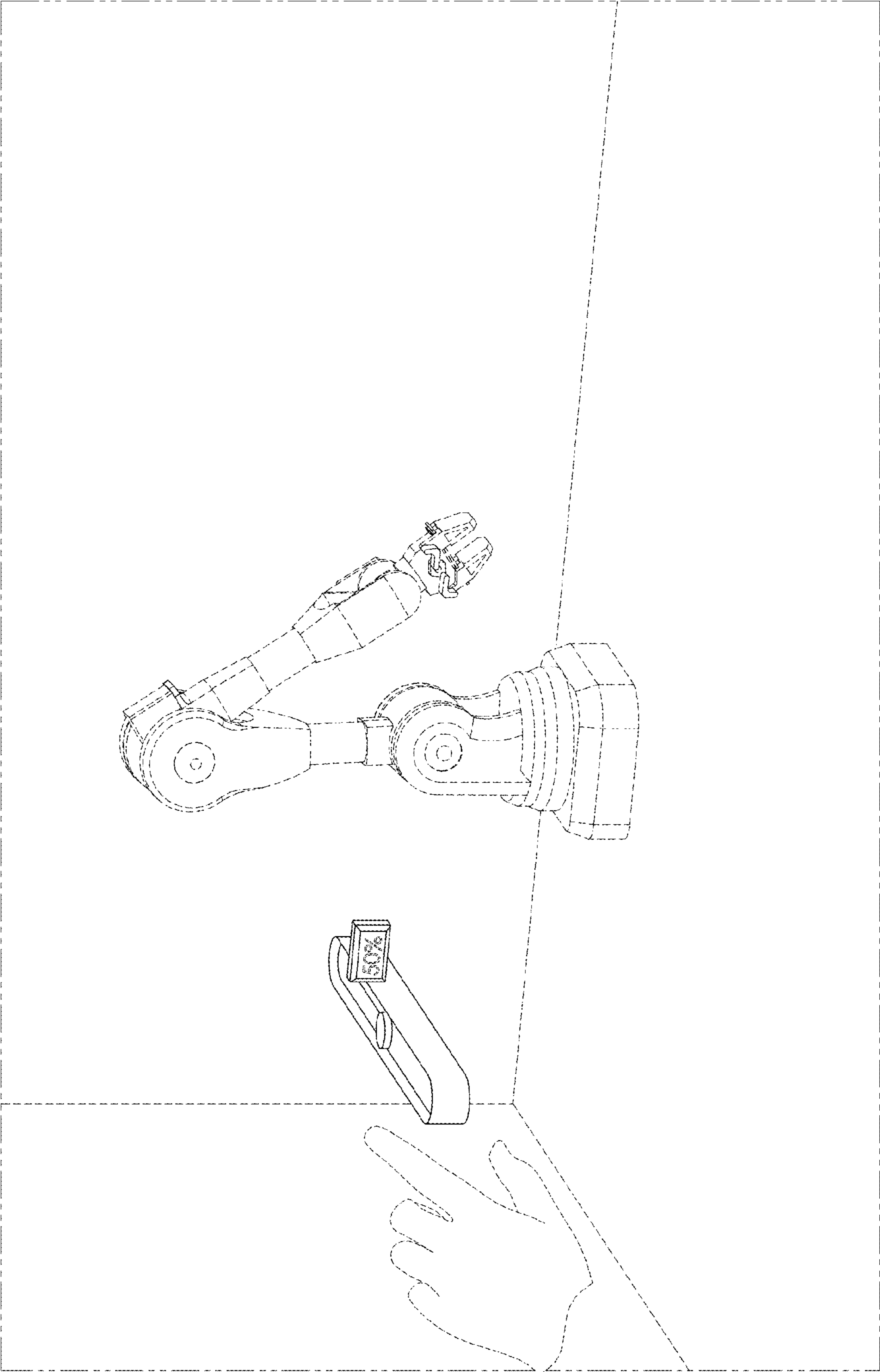


FIG. 11