



US00D986904S

(12) **United States Design Patent** (10) **Patent No.:** **US D986,904 S**  
**Roberts** (45) **Date of Patent:** **\*\* May 23, 2023**

(54) **USB MEMORY DEVICE**

*Primary Examiner* — Angela J Lee

(71) Applicant: **James Christopher Roberts**, St Martin (JE)

(57) **CLAIM**

The ornamental design for a USB memory device, as shown and described.

(72) Inventor: **James Christopher Roberts**, St Martin (JE)

**DESCRIPTION**

(73) Assignee: **Flashbay Electronics Hong Kong Limited**, Hong Kong (HK)

FIG. 1 is a right side view of the USB memory device with the cap and the shell in a closed position, the left side being the mirror image thereof.

(\*\*) Term: **15 Years**

FIG. 2 is a right side view of the USB memory device with the shell in a closed position and the cap in an open position, the left side being the mirror image thereof.

(21) Appl. No.: **29/816,721**

FIG. 3 is a rear view of the USB memory device.

(22) Filed: **Nov. 24, 2021**

FIG. 4 is a front view of the USB memory device.

(51) **LOC (14) Cl.** ..... **14-03**

FIG. 5 is a top view of the USB memory device with the cap and the shell in a closed position, the bottom view being a mirror image thereof.

(52) **U.S. Cl.**

USPC ..... **D14/480.6**

FIG. 6 is a top view of the USB memory device with the cap in an open position and the shell in a closed position, the bottom view being a mirror image thereof.

(58) **Field of Classification Search**

USPC ..... D14/480.1–480.7, 435.1, 411, 433, 436, D14/484.1, 137, 155, 203.1–203.8, 240, D14/242; D13/133, 154

FIG. 7 is a front, top, right side perspective of the USB memory device with the cap and the shell in a closed position.

See application file for complete search history.

FIG. 8 is a front, top, right side perspective of the USB memory device with the cap and the shell in an open position.

(56) **References Cited**

**U.S. PATENT DOCUMENTS**

|                |         |            |       |                       |
|----------------|---------|------------|-------|-----------------------|
| 7,740,495 B1 * | 6/2010  | Lo         | ..... | G06K 19/07<br>439/142 |
| D620,015 S *   | 7/2010  | Nan        | ..... | D14/480.6             |
| D712,414 S *   | 9/2014  | Tsai       | ..... | D14/480.6             |
| D749,600 S *   | 2/2016  | Emami      | ..... | D14/480.6             |
| D754,141 S *   | 4/2016  | Billington | ..... | D14/480.6             |
| D803,843 S *   | 11/2017 | Chang      | ..... | D14/480.6             |
| D806,715 S *   | 1/2018  | Chen       | ..... | D14/480.6             |

(Continued)

**FOREIGN PATENT DOCUMENTS**

|    |                 |   |         |
|----|-----------------|---|---------|
| GB | 9004530681-0001 | * | 12/2017 |
| HK | 2119025.9       | * | 12/2021 |

FIG. 9 is a rear, top, right side perspective of the USB memory device with the cap and the shell in an open position.

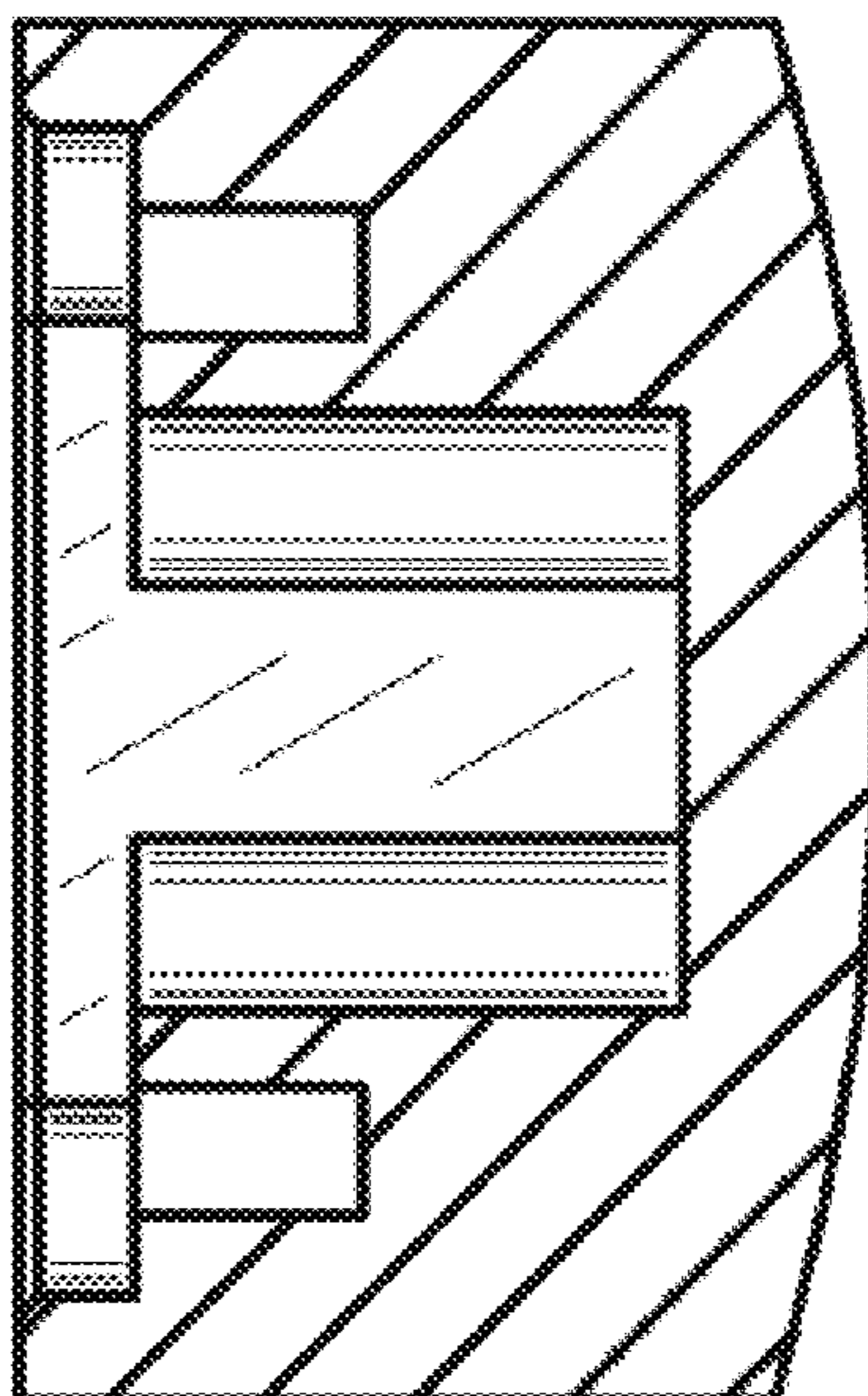
FIG. 10 is a cross-sectional view of the cap of the USB memory device, taken along line 10 in FIG. 6.

FIG. 11 is a view of the inside face of the cap of the USB memory device; and,

FIG. 12 is a cross-sectional view of the cap of the USB memory device, taken along line 12 in FIG. 9.

The broken lines shown in the drawings represent portions of the USB memory device that form no part of the claimed design.

**1 Claim, 6 Drawing Sheets**



(56)

**References Cited**

U.S. PATENT DOCUMENTS

D828,363 S \* 9/2018 Turksu ..... D14/480.5  
D863,319 S \* 10/2019 Roberts ..... D14/480.6  
D863,320 S \* 10/2019 Roberts ..... D14/480.6  
2008/0278902 A1\* 11/2008 Nguyen ..... G06K 19/07732  
361/679.43  
2010/0304586 A1\* 12/2010 Ma ..... H01R 13/447  
439/131  
2011/0237099 A1\* 9/2011 Ni ..... G06K 19/07732  
439/142

\* cited by examiner

FIG. 1

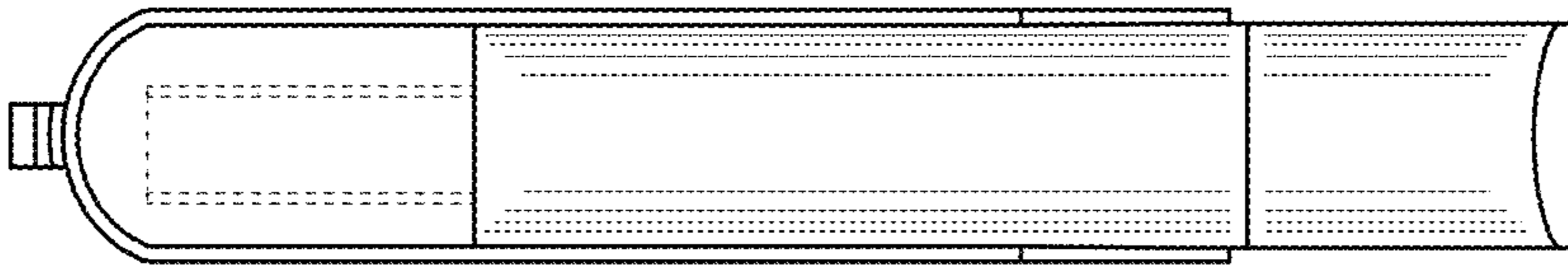


FIG. 2

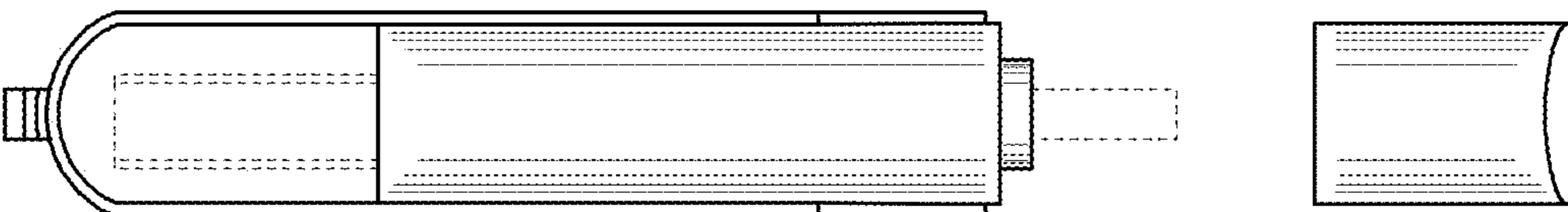


FIG.3

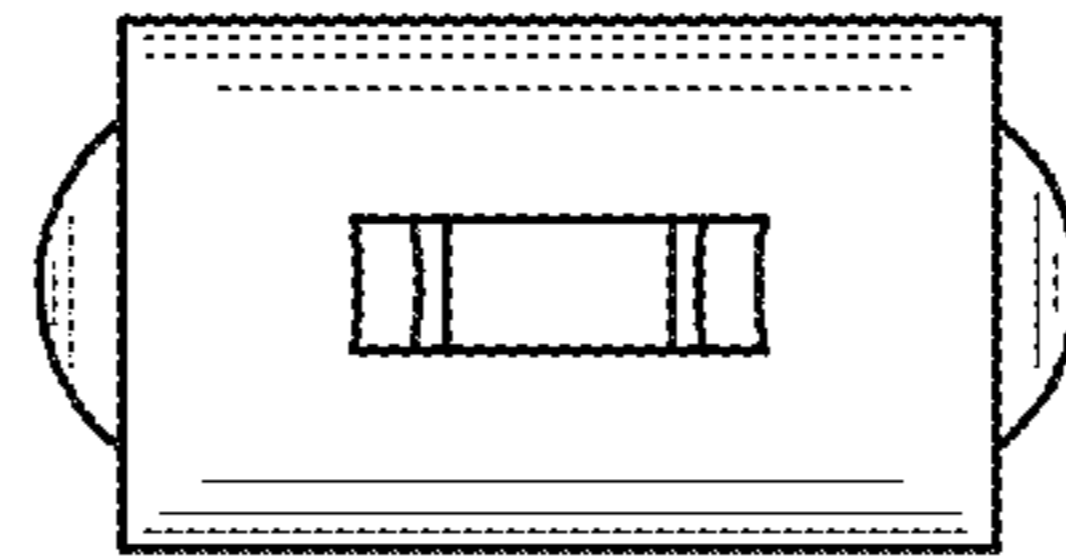


FIG.4



FIG.5

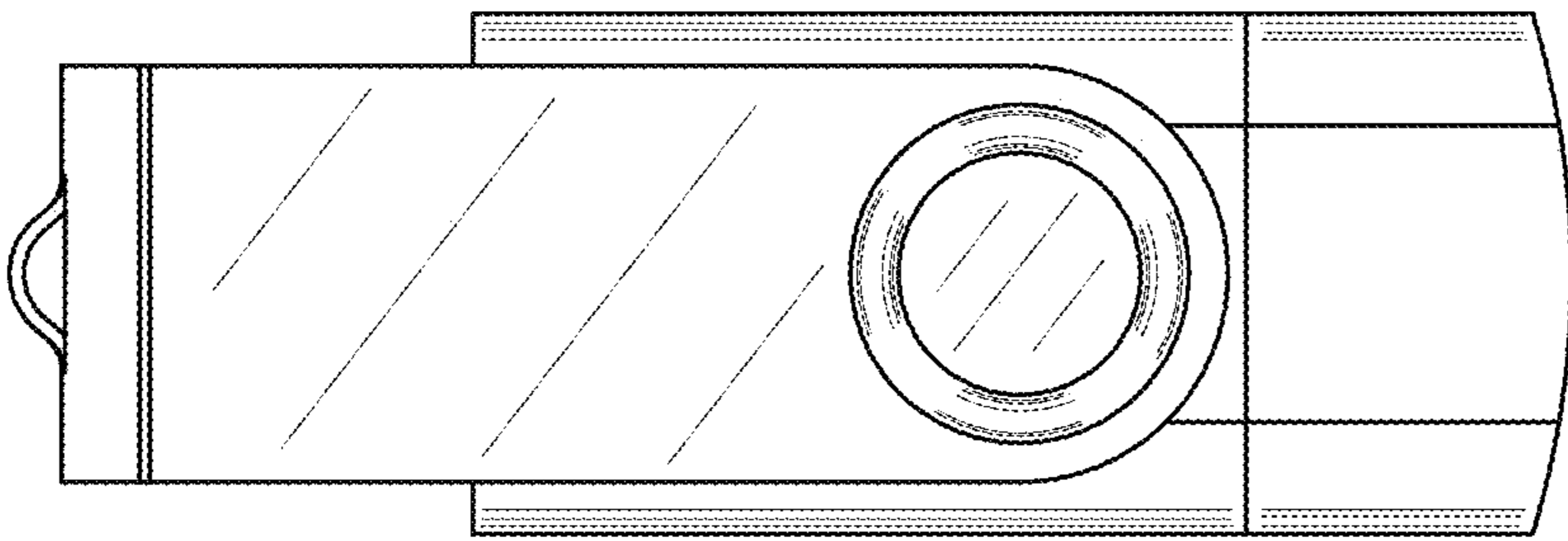


FIG.6

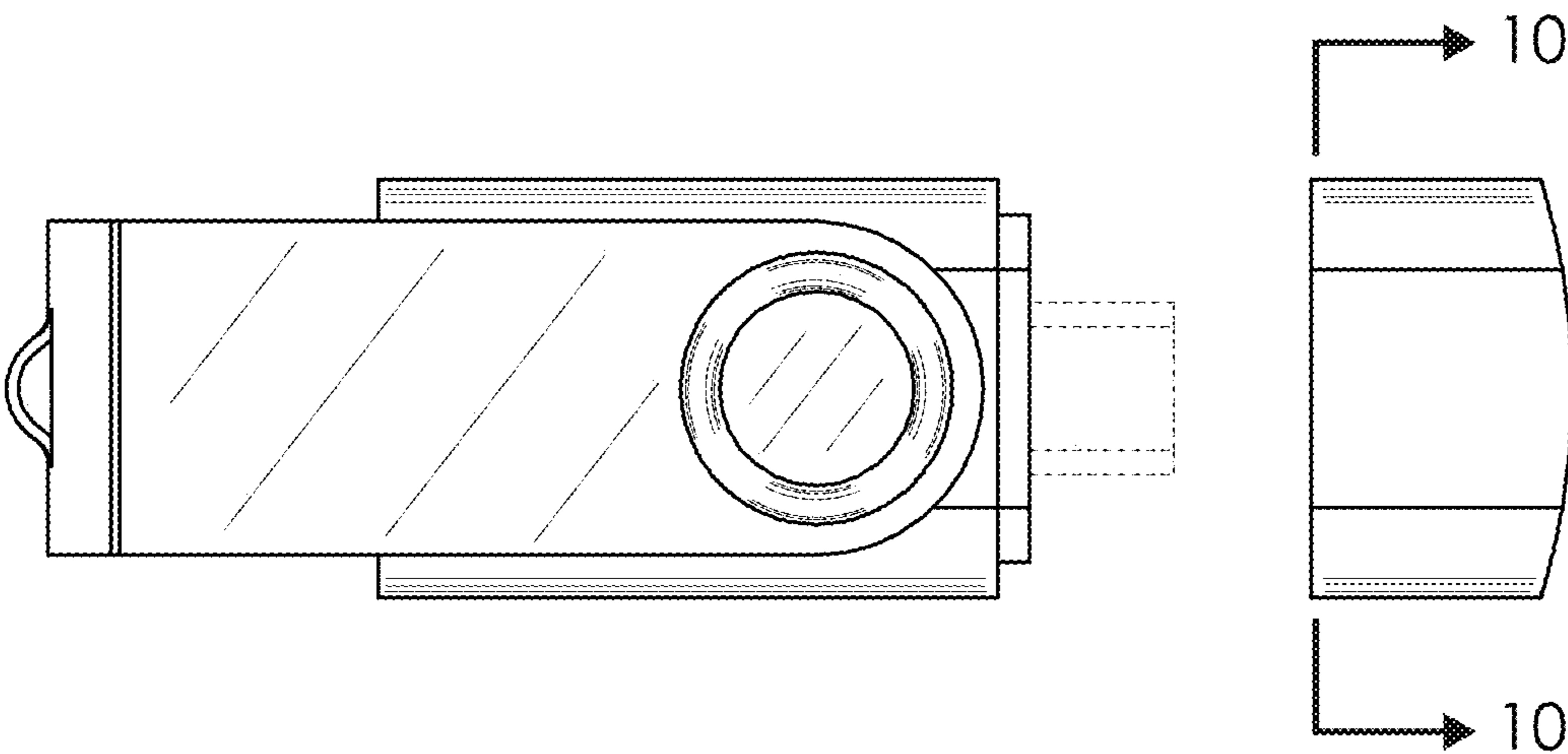


FIG.7

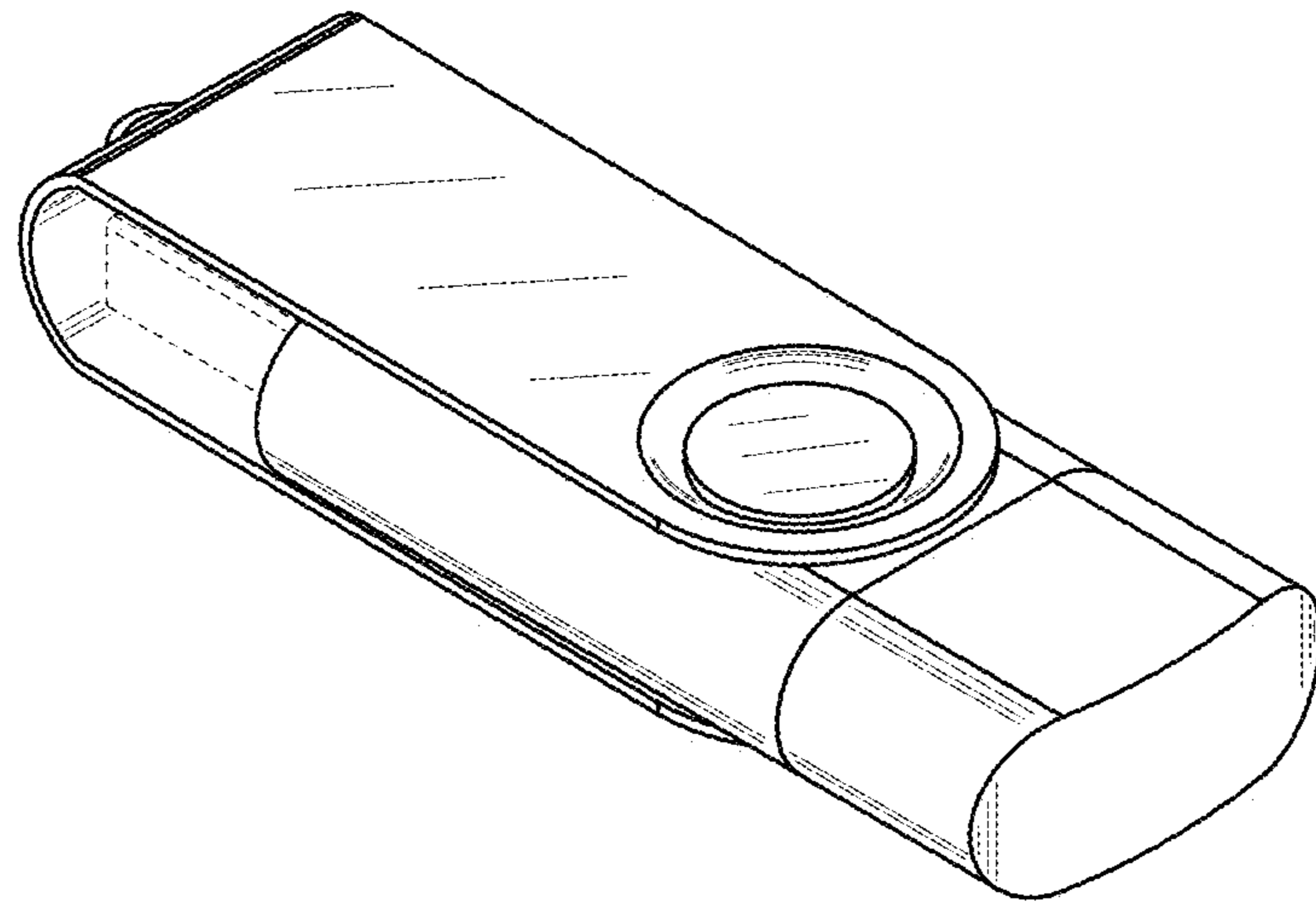


FIG.8

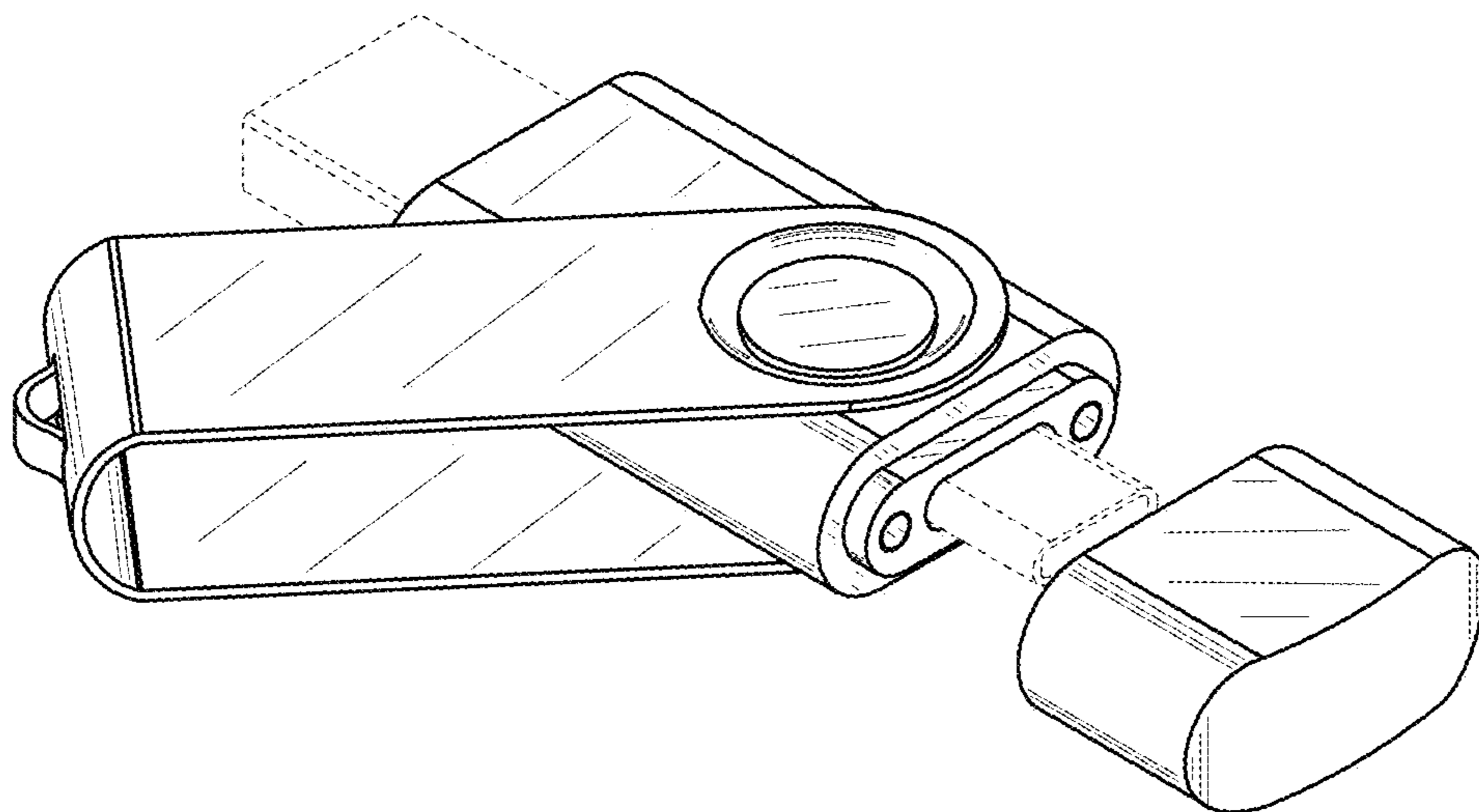


FIG. 9

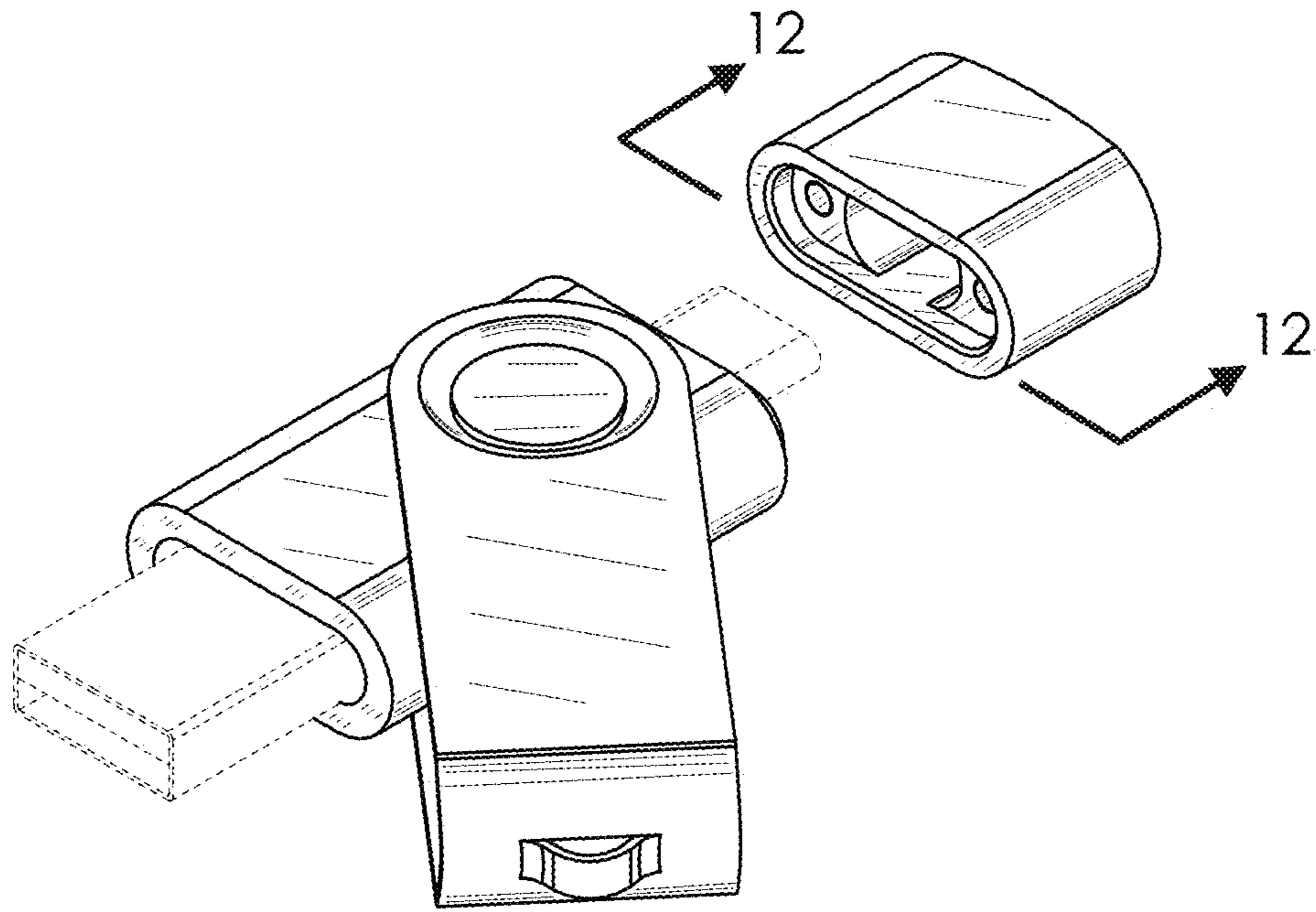


FIG. 10

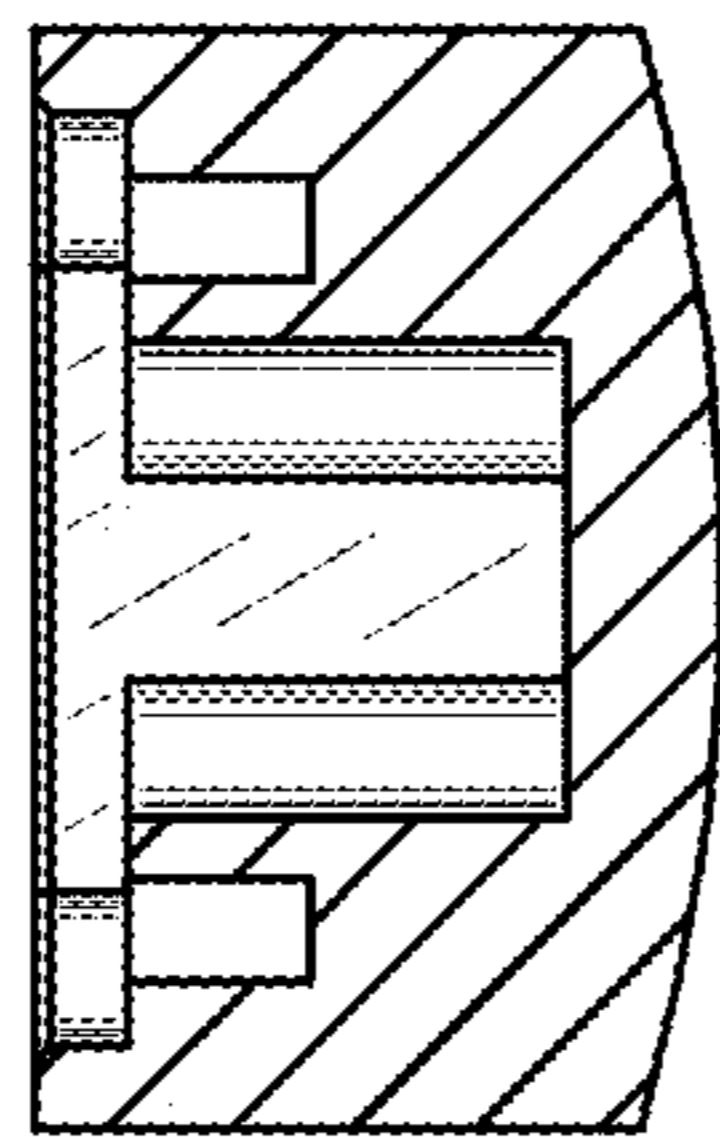


FIG. 11

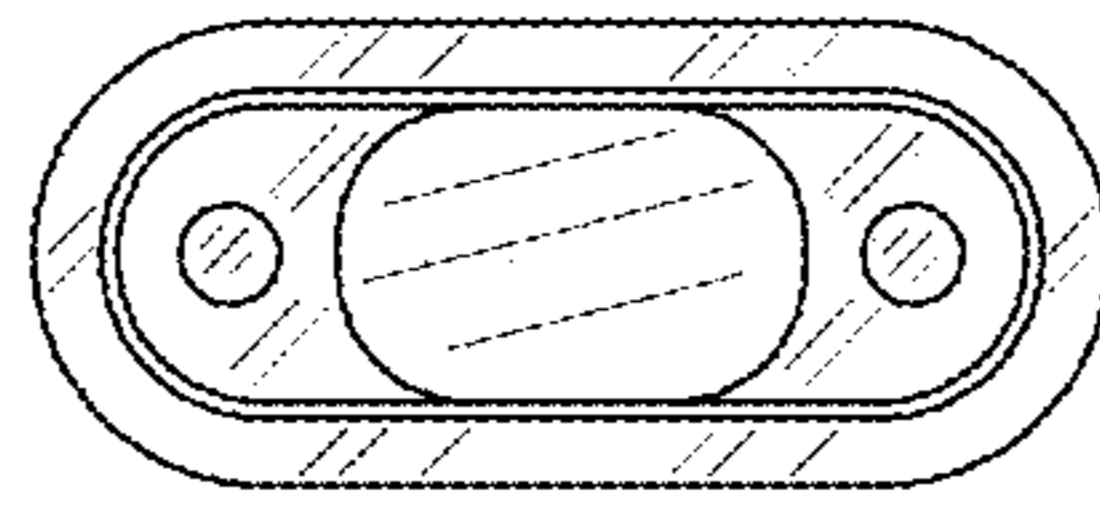


FIG. 12

