



US00D986901S

(12) **United States Design Patent** (10) **Patent No.:** **US D986,901 S**
Cinar et al. (45) **Date of Patent:** **** May 23, 2023**

(54) **SOLID STATE DRIVE MEMORY DEVICE**

(56) **References Cited**

(71) Applicant: **SAMSUNG ELECTRONICS CO., LTD.**, Suwon-si (KR)

U.S. PATENT DOCUMENTS

(72) Inventors: **Yusuf Cinar**, Suwon-si (KR); **Jae Hong Park**, Suwon-si (KR); **Han Hong Lee**, Suwon-si (KR); **Seon Gyun Baek**, Suwon-si (KR); **Won-Gi Hong**, Suwon-si (KR)

D384,648 S *	10/1997	Seirio	D13/181
D570,795 S *	6/2008	Hornig	D13/179
D768,134 S *	10/2016	Andre	D14/436
D798,856 S *	10/2017	Menendez	D14/313
D799,474 S *	10/2017	Menendez	D14/313
D809,515 S *	2/2018	Nada	D13/162
D826,944 S *	8/2018	Lim	D14/435
D896,230 S *	9/2020	Jun	D14/435
D910,465 S *	2/2021	Lindeman	D10/49
D914,595 S *	3/2021	Rooyackers	D13/110
D943,586 S *	2/2022	Jun	D14/435

(73) Assignee: **SAMSUNG ELECTRONICS CO., LTD.**, Suwon-si (KR)

(Continued)

(**) Term: **15 Years**

FOREIGN PATENT DOCUMENTS

(21) Appl. No.: **29/805,779**

CN	111988944 A *	7/2020
WO	WO-2014123774 A1 *	8/2014

(22) Filed: **Aug. 30, 2021**

(Continued)

(51) **LOC (14) Cl.** **14-02**

Primary Examiner — Marie D. Fast Horse

(52) **U.S. Cl.**

Assistant Examiner — Josiah D. Parsons

USPC **D14/435**

(74) *Attorney, Agent, or Firm* — Sughrue Mion, PLLC

(58) **Field of Classification Search**

(57) **CLAIM**

USPC D13/103, 107, 177, 179, 184; D14/301, D14/356, 432, 434, 435, 436, 437, 438, D14/363, 365, 474, 480.1, 484.1

CPC G06F 1/1658; G06F 1/1684; G06F 1/185; G06F 1/187; G06F 1/186; G06K 19/04; G06K 19/041; G06K 19/07728; G06K 19/07732; G06K 19/07747; G06K 19/077; G06K 19/0772; G11B 2220/60; H01L 23/34; H01L 23/40; H05K 5/03; H05K 5/04; H05K 5/06; H05K 5/061; H05K 5/0214; H05K 5/0086; H05K 5/0256; H05K 5/026; H05K 5/0269; H05K 5/0278; H05K 5/0243; H05K 5/0004; H05K 5/0008; H05K 5/0039; H05K 5/0043; H05K 5/0047; G11C 5/00

The ornamental design for a solid state drive memory device, as shown and described.

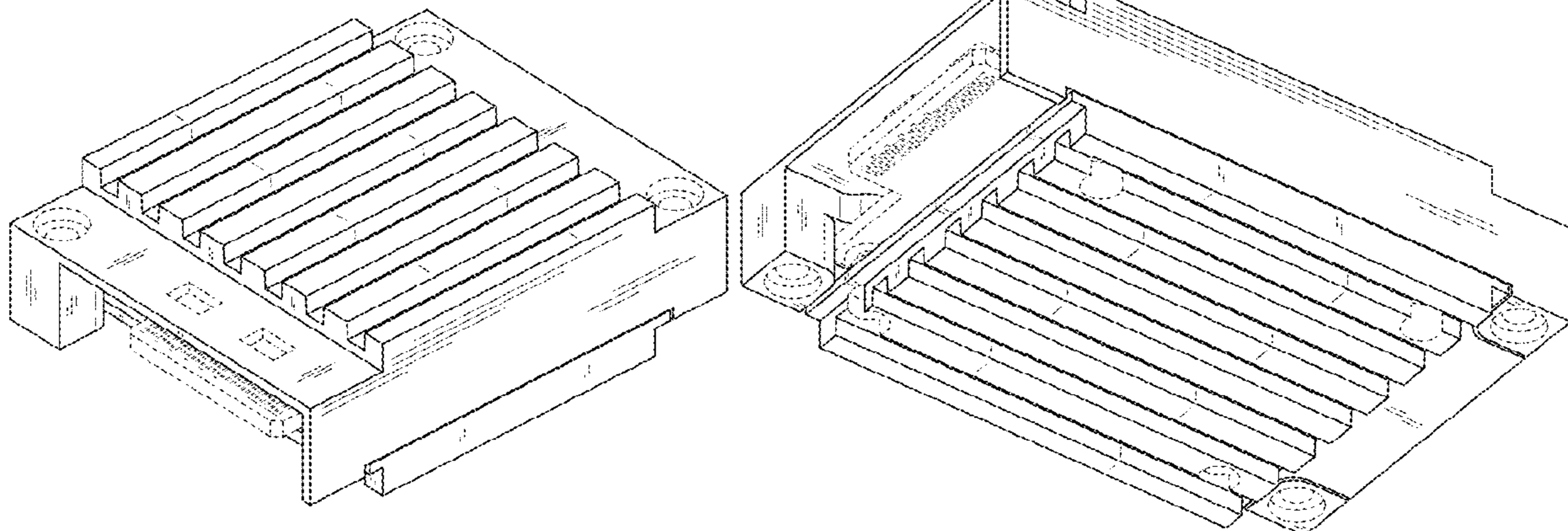
DESCRIPTION

FIG. 1 is a front perspective view of a solid state drive memory device showing our new design;
 FIG. 2 is a front view thereof;
 FIG. 3 is a rear view thereof;
 FIG. 4 is a left-side view thereof;
 FIG. 5 is a right-side view thereof;
 FIG. 6 is a top plan view thereof;
 FIG. 7 is a bottom plan view thereof, and,
 FIG. 8 is a bottom perspective view thereof.

The evenly dashed broken lines in the figures depict portions of the solid state drive memory device that form no part of the claimed design.

See application file for complete search history.

1 Claim, 8 Drawing Sheets



(56)

References Cited

U.S. PATENT DOCUMENTS

D967,823 S * 10/2022 Crisp D14/435
2020/0375064 A1 * 11/2020 Chen H05K 7/20172

FOREIGN PATENT DOCUMENTS

WO WO-2015023628 A1 * 2/2015
WO WO-2015161636 A1 * 10/2015

* cited by examiner

FIG. 1

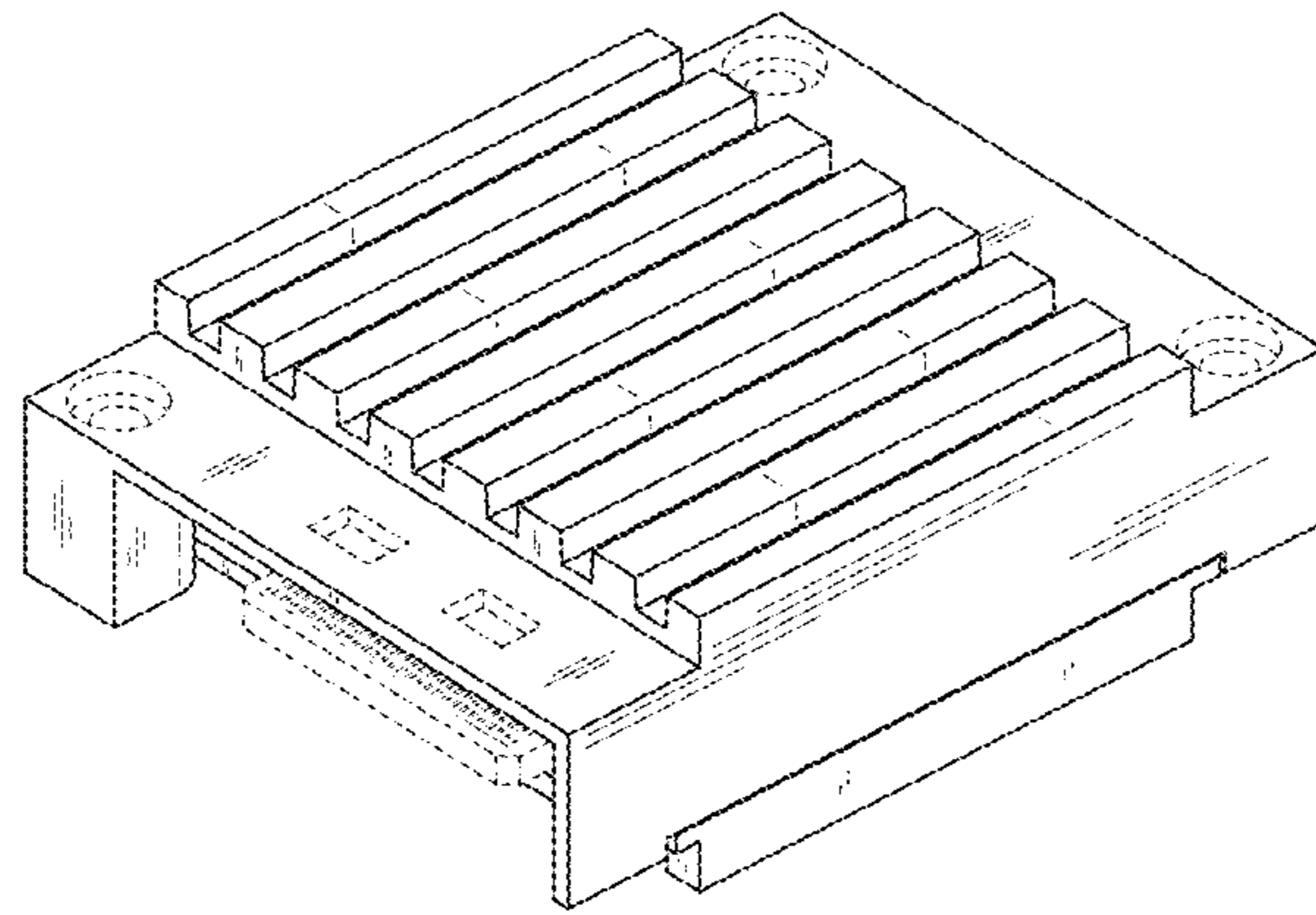


FIG. 2

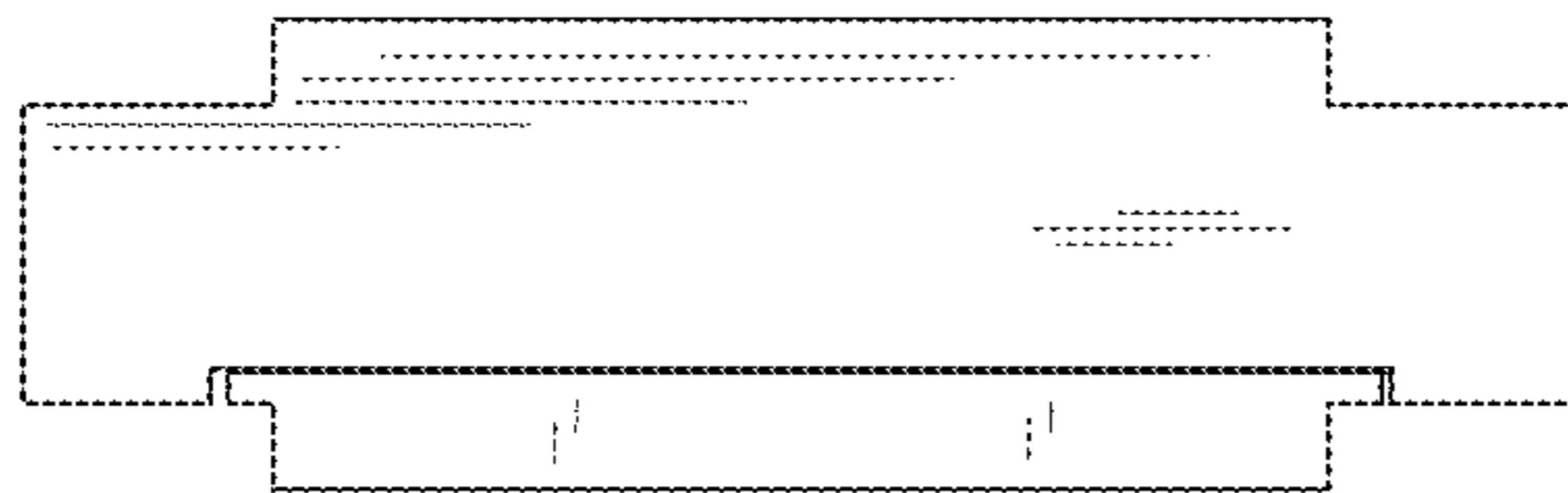


FIG. 3

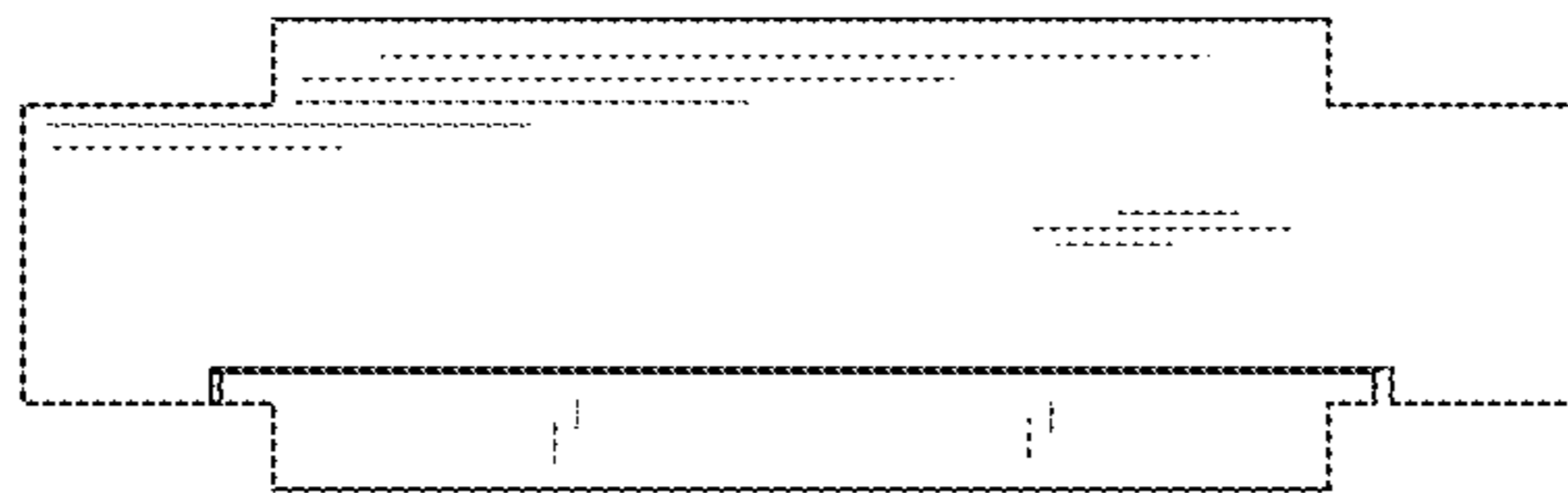


FIG. 4

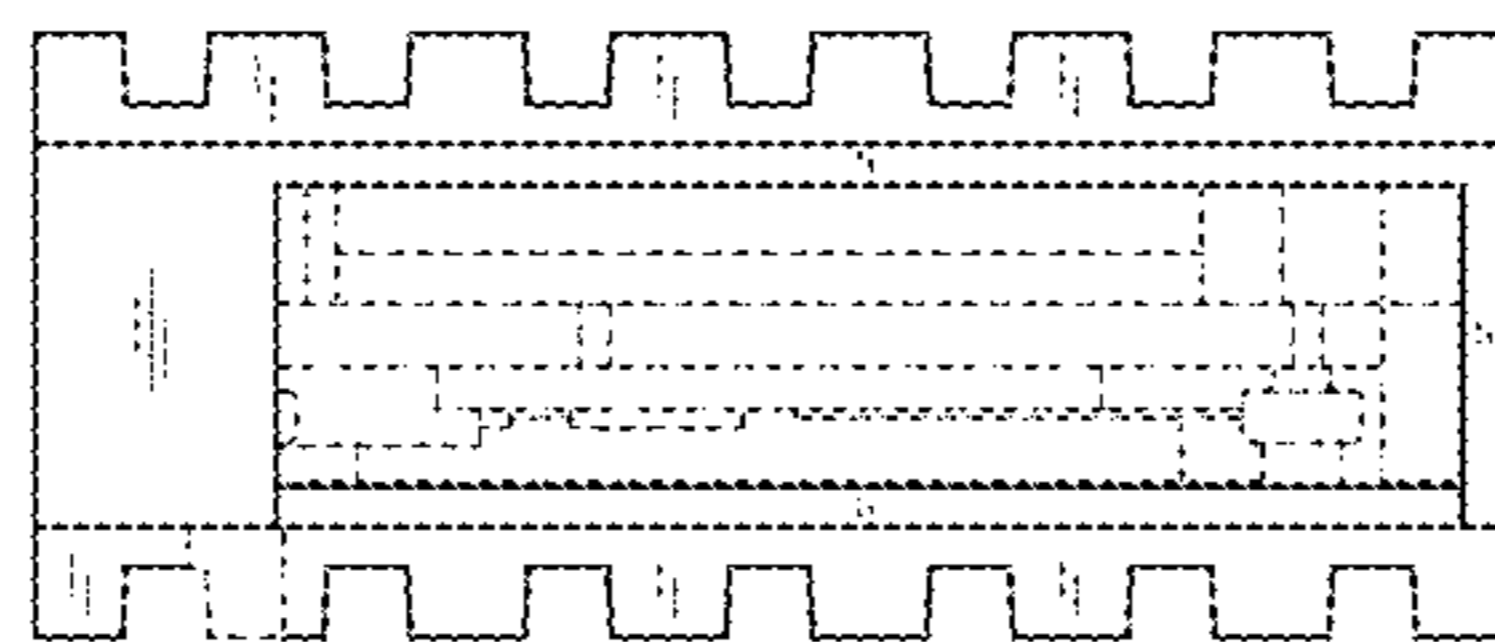


FIG. 5

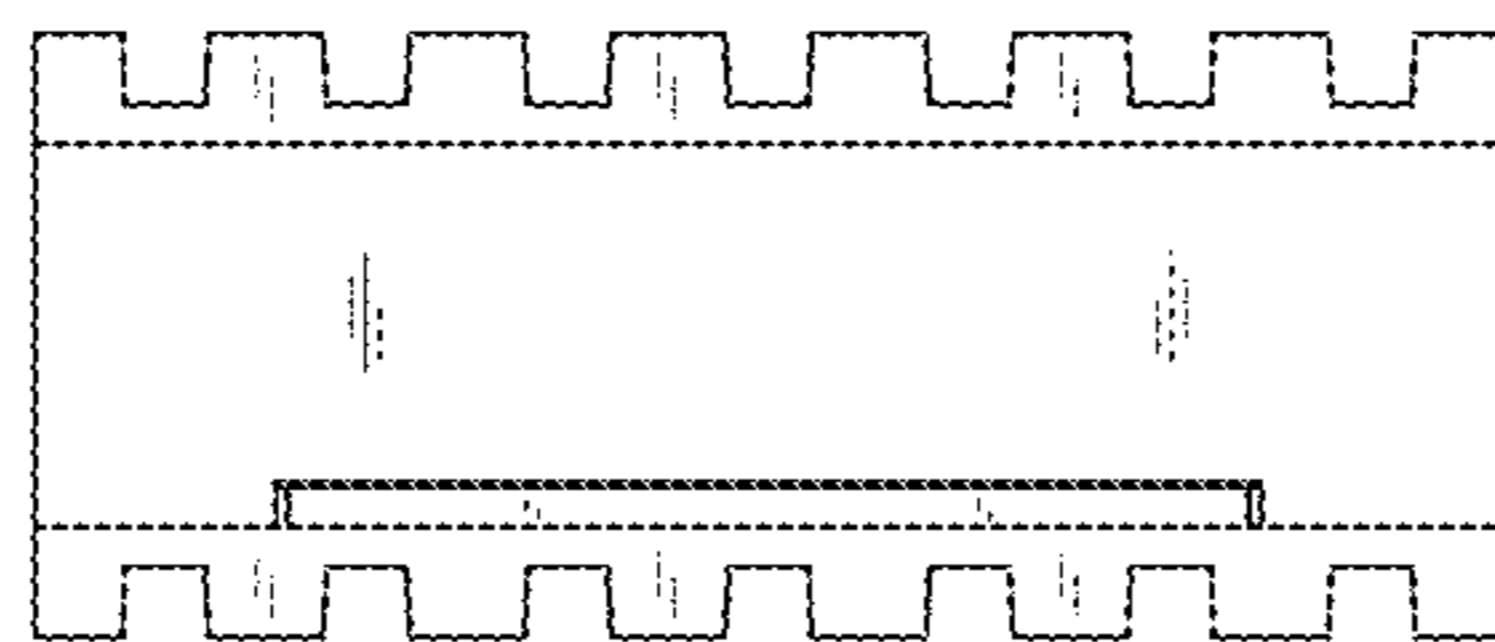


FIG. 6

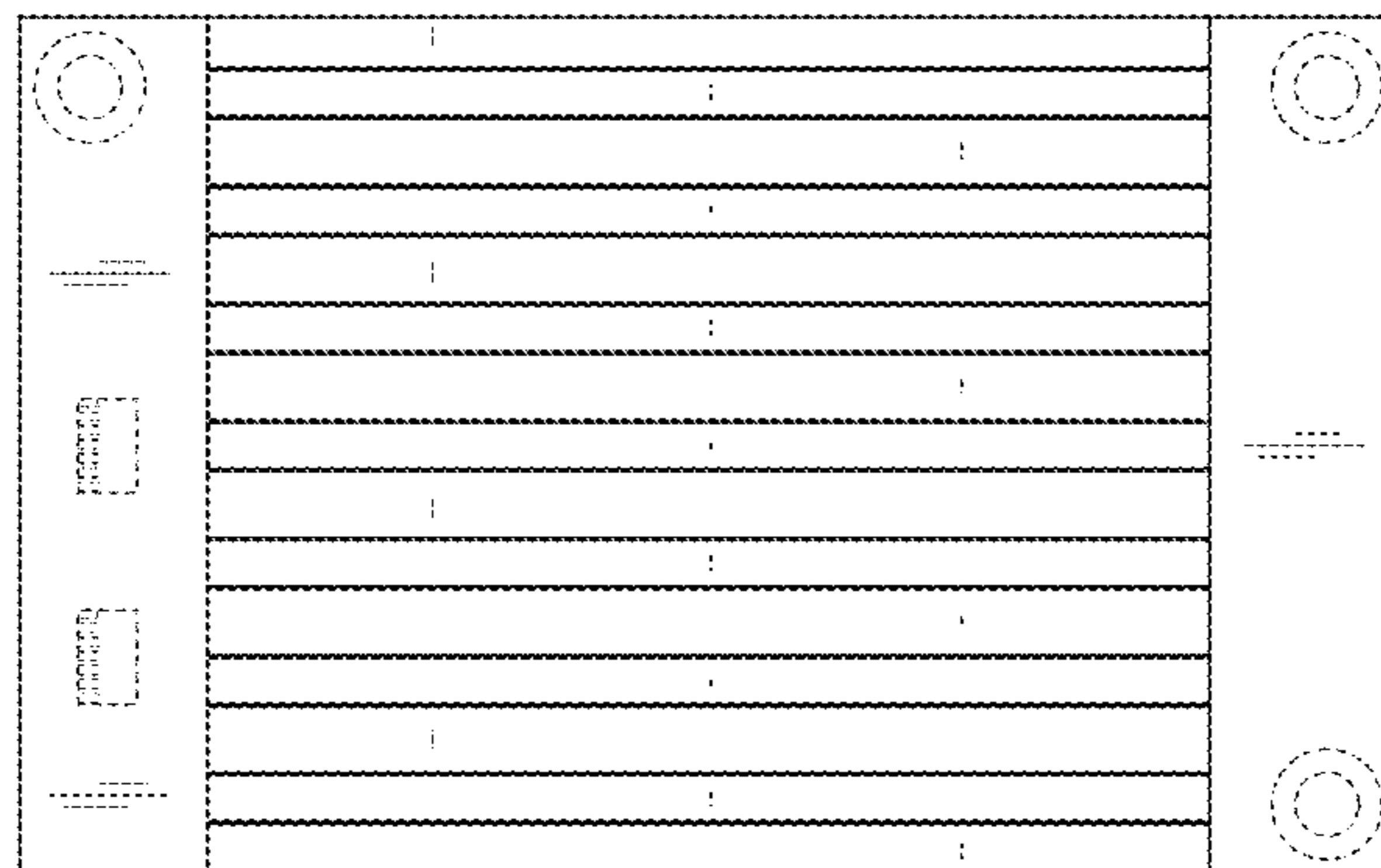


FIG. 7

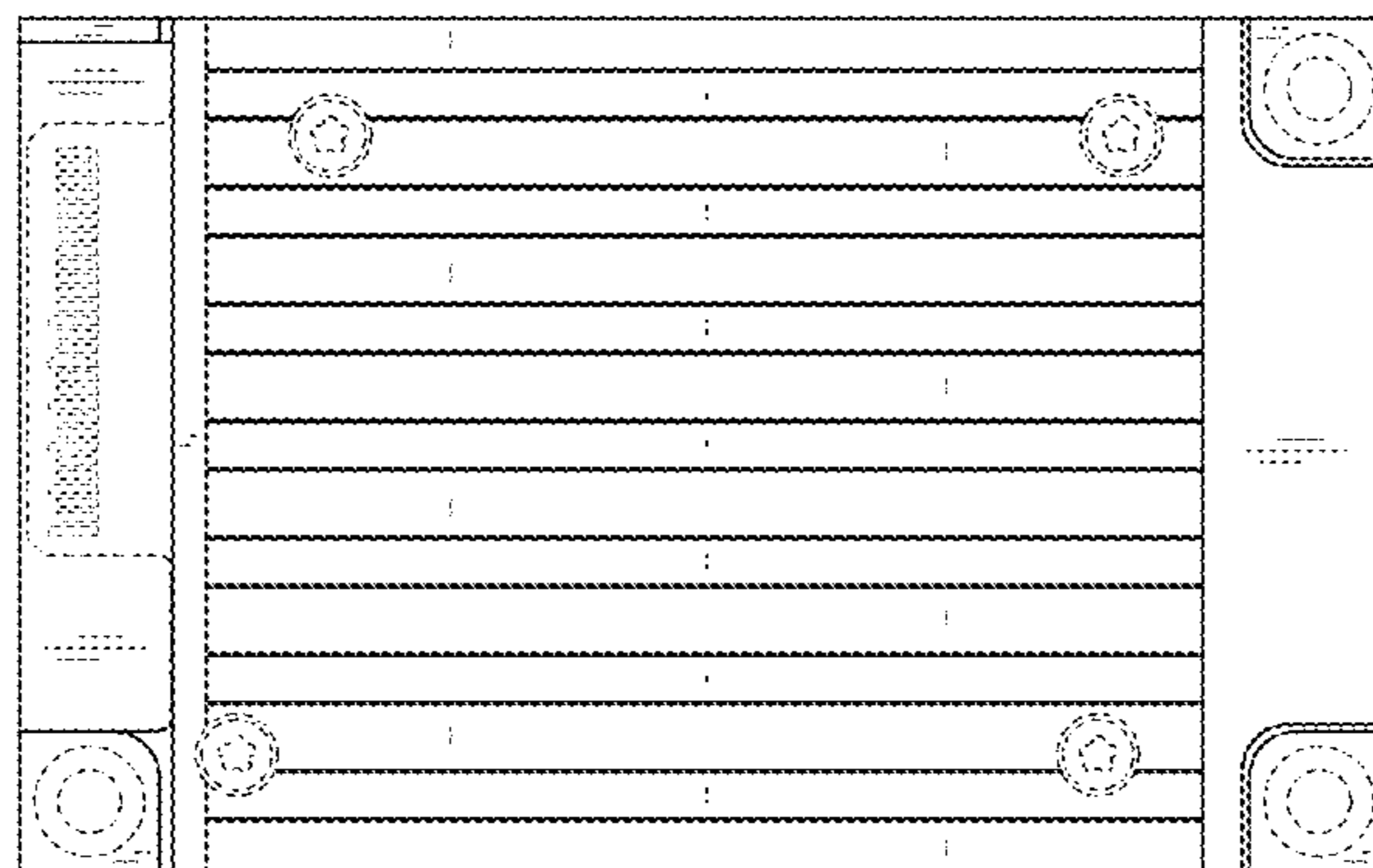


FIG. 8

