



US00D986900S

(12) **United States Design Patent** (10) **Patent No.:** **US D986,900 S**  
**Cinar et al.** (45) **Date of Patent:** **\*\* May 23, 2023**

(54) **SOLID STATE DRIVE MEMORY DEVICE**

(56) **References Cited**

(71) Applicant: **SAMSUNG ELECTRONICS CO., LTD.**, Suwon-si (KR)

U.S. PATENT DOCUMENTS

(72) Inventors: **Yusuf Cinar**, Suwon-si (KR); **Jae Hong Park**, Suwon-si (KR); **Han Hong Lee**, Suwon-si (KR); **Seon Gyun Baek**, Suwon-si (KR); **Won-Gi Hong**, Suwon-si (KR)

|           |   |   |         |          |       |                        |
|-----------|---|---|---------|----------|-------|------------------------|
| D345,959  | S | * | 4/1994  | Cooper   | ..... | D13/110                |
| D348,247  | S | * | 6/1994  | Cooper   | ..... | D13/110                |
| D384,648  | S | * | 10/1997 | Seirio   | ..... | D13/181                |
| D400,512  | S | * | 11/1998 | Korhonen | ..... | D13/184                |
| 6,128,194 | A | * | 10/2000 | Francis  | ..... | H05K 5/0269<br>361/752 |
| D486,154  | S | * | 2/2004  | Nishio   | ..... | D14/474                |
| D768,134  | S | * | 10/2016 | Andre    | ..... | D14/436                |
| D826,944  | S | * | 8/2018  | Lim      | ..... | D14/435                |
| D826,945  | S | * | 8/2018  | Lim      | ..... | D14/435                |
| D888,000  | S | * | 6/2020  | Lim      | ..... | D13/184                |
| D896,230  | S | * | 9/2020  | Jun      | ..... | D14/435                |

(73) Assignee: **SAMSUNG ELECTRONICS CO., LTD.**, Suwon-si (KR)

(Continued)

(\*\*) Term: **15 Years**

FOREIGN PATENT DOCUMENTS

(21) Appl. No.: **29/805,770**

|    |             |    |   |         |       |             |
|----|-------------|----|---|---------|-------|-------------|
| CN | 115440673   | A  | * | 12/2022 | ..... | H05K 1/181  |
| EP | 1494518     | A1 | * | 1/2005  | ..... | H05K 5/0008 |
| KR | 20170000709 | A  | * | 1/2017  |       |             |

(22) Filed: **Aug. 30, 2021**

(51) **LOC (14) Cl.** ..... **14-02**

*Primary Examiner* — Marie D. Fast Horse

(52) **U.S. Cl.**

*Assistant Examiner* — Josiah D. Parsons

USPC ..... **D14/435**

(74) *Attorney, Agent, or Firm* — Sughrue Mion, PLLC

(58) **Field of Classification Search**

(57) **CLAIM**

USPC ..... D13/103, 107, 177, 179, 184; D14/301, D14/356, 432, 434, 435, 436, 437, 438, D14/363, 365, 474, 480.1, 484.1

The ornamental design for a solid state drive memory device, as shown and described.

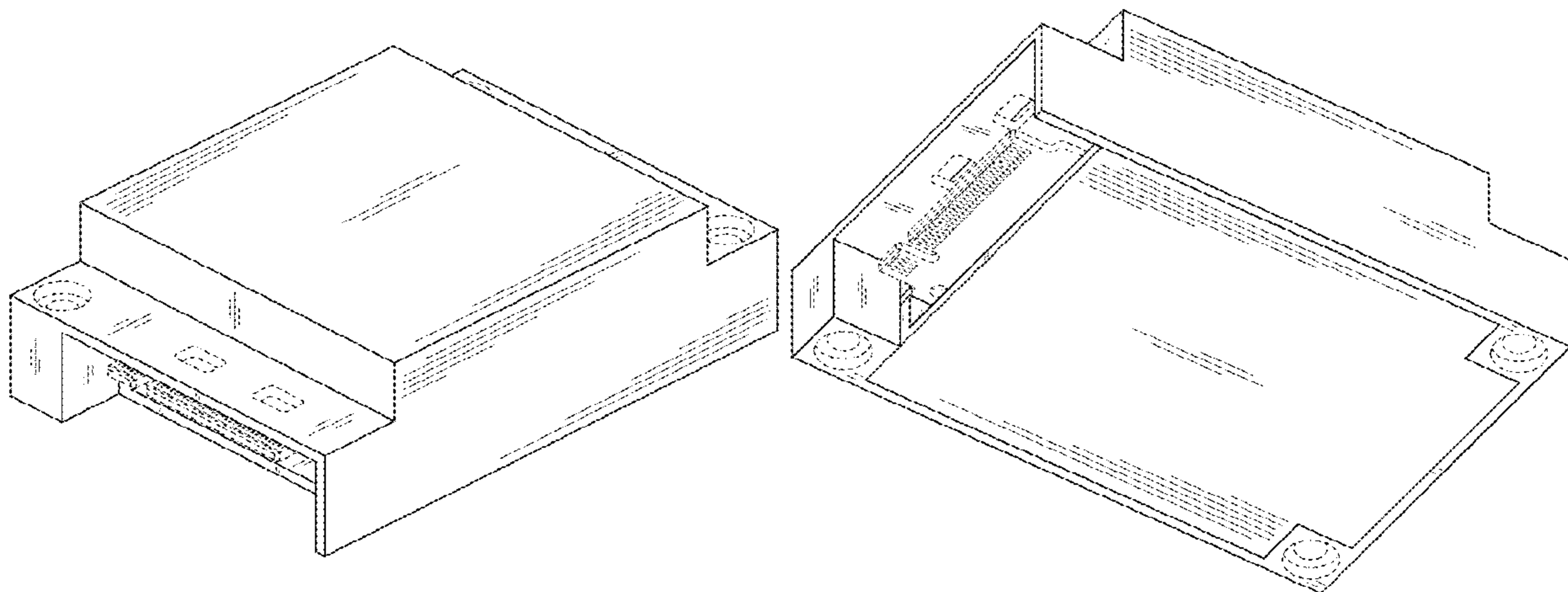
CPC ..... G06F 1/1658; G06F 1/1684; G06F 1/185; G06F 1/187; G06F 1/186; G06K 19/04; G06K 19/041; G06K 19/07728; G06K 19/07732; G06K 19/07747; G06K 19/077; G06K 19/0772; G11B 2220/60; H01L 23/34; H01L 23/40; H05K 5/03; H05K 5/04; H05K 5/06; H05K 5/061; H05K 5/0214; H05K 5/0086; H05K 5/0256; H05K 5/026; H05K 5/0269; H05K 5/0278; H05K 5/0243; H05K 5/0004; H05K 5/0008; H05K 5/0039; H05K 5/0043; H05K 5/0047; G11C 5/00

**DESCRIPTION**

FIG. 1 is a front perspective view of a solid state drive memory device showing our new design; FIG. 2 is a front view thereof; FIG. 3 is a rear view thereof; FIG. 4 is a left-side view thereof; FIG. 5 is a right-side view thereof; FIG. 6 is a top plan view thereof; FIG. 7 is a bottom plan view thereof; and, FIG. 8 is a bottom perspective view thereof. The evenly dashed broken lines in the figures depict portions of the solid state drive memory device that form no part of the claimed design.

See application file for complete search history.

**1 Claim, 8 Drawing Sheets**



(56)

**References Cited**

U.S. PATENT DOCUMENTS

D910,465 S \* 2/2021 Lindeman ..... D10/49  
D943,586 S \* 2/2022 Jun ..... D14/435  
D967,823 S \* 10/2022 Crisp ..... D14/435  
2012/0250279 A1 \* 10/2012 Harashima ..... H05K 1/144  
361/760  
2018/0249585 A1 \* 8/2018 Yoshida ..... H05K 5/04  
2018/0270943 A1 \* 9/2018 Suzuki ..... G06F 1/187  
2022/0248554 A1 \* 8/2022 Suzuki ..... G06F 1/187  
2022/0394862 A1 \* 12/2022 Okubo ..... H05K 5/0026

\* cited by examiner

FIG. 1

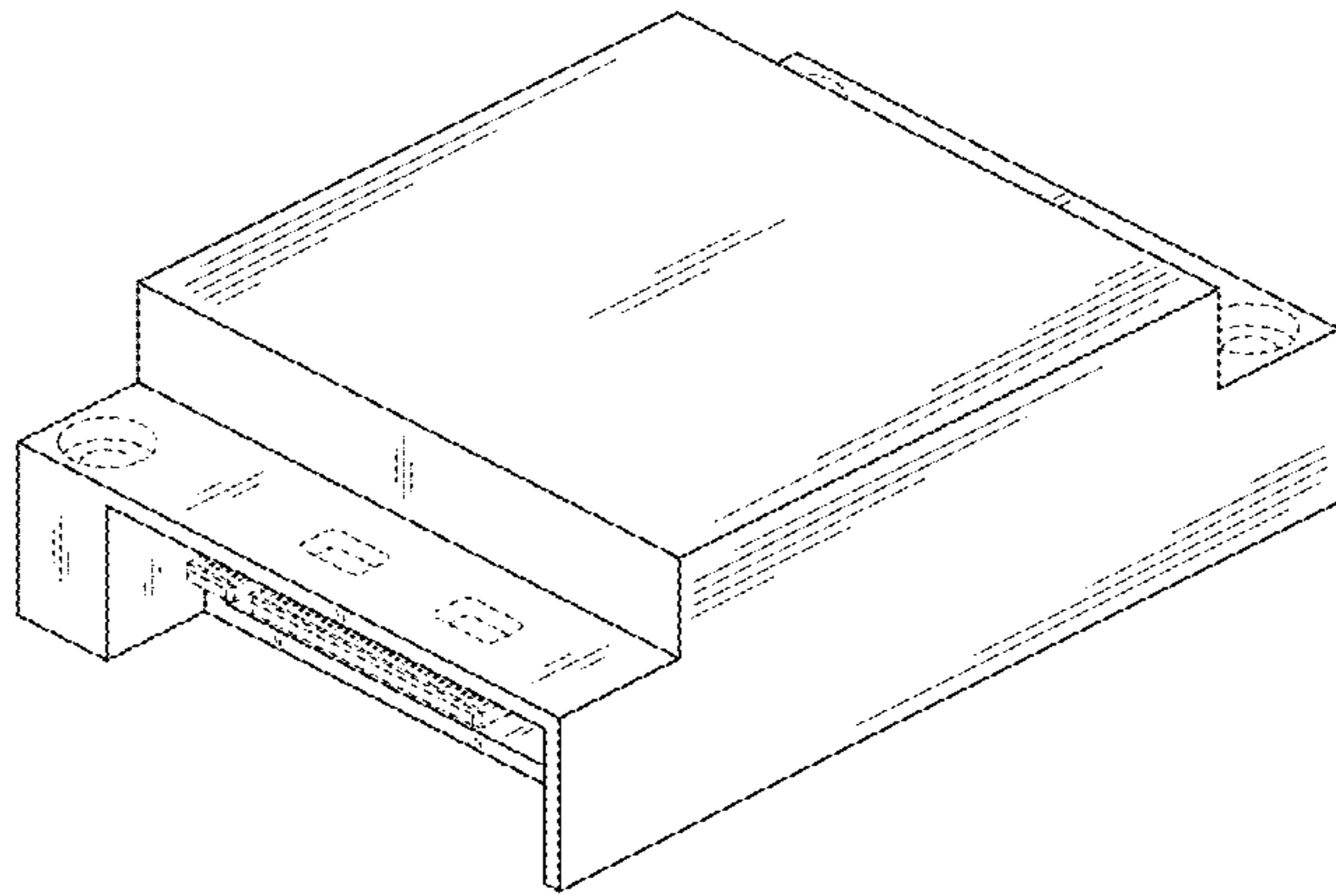


FIG. 2

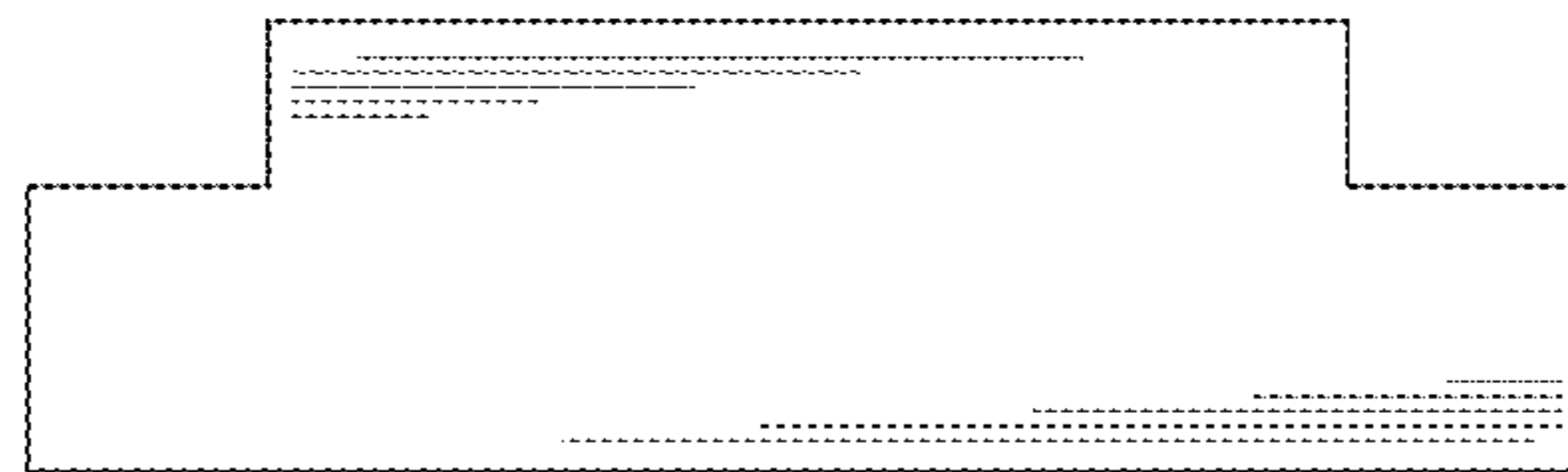


FIG. 3

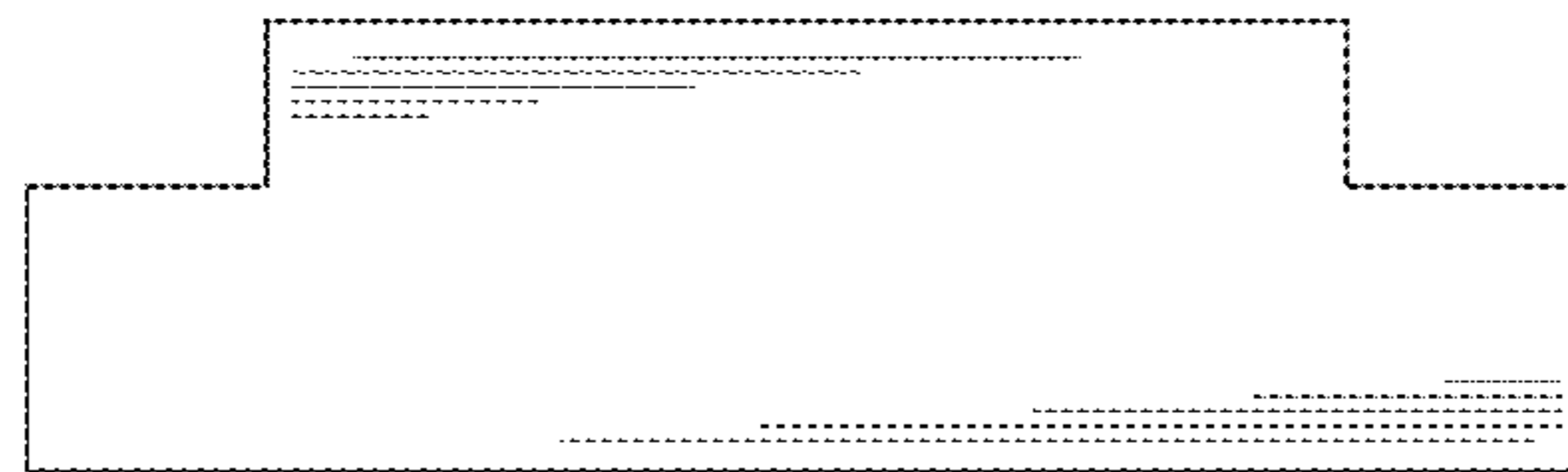


FIG. 4

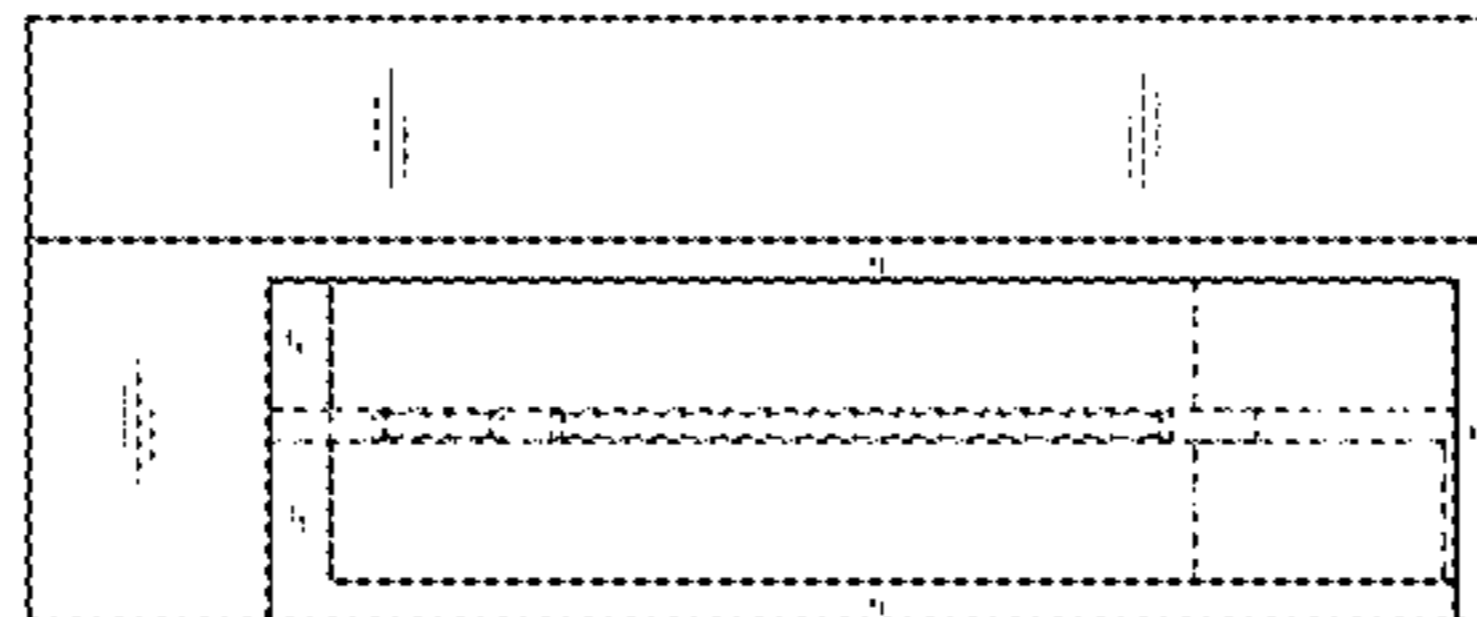


FIG. 5

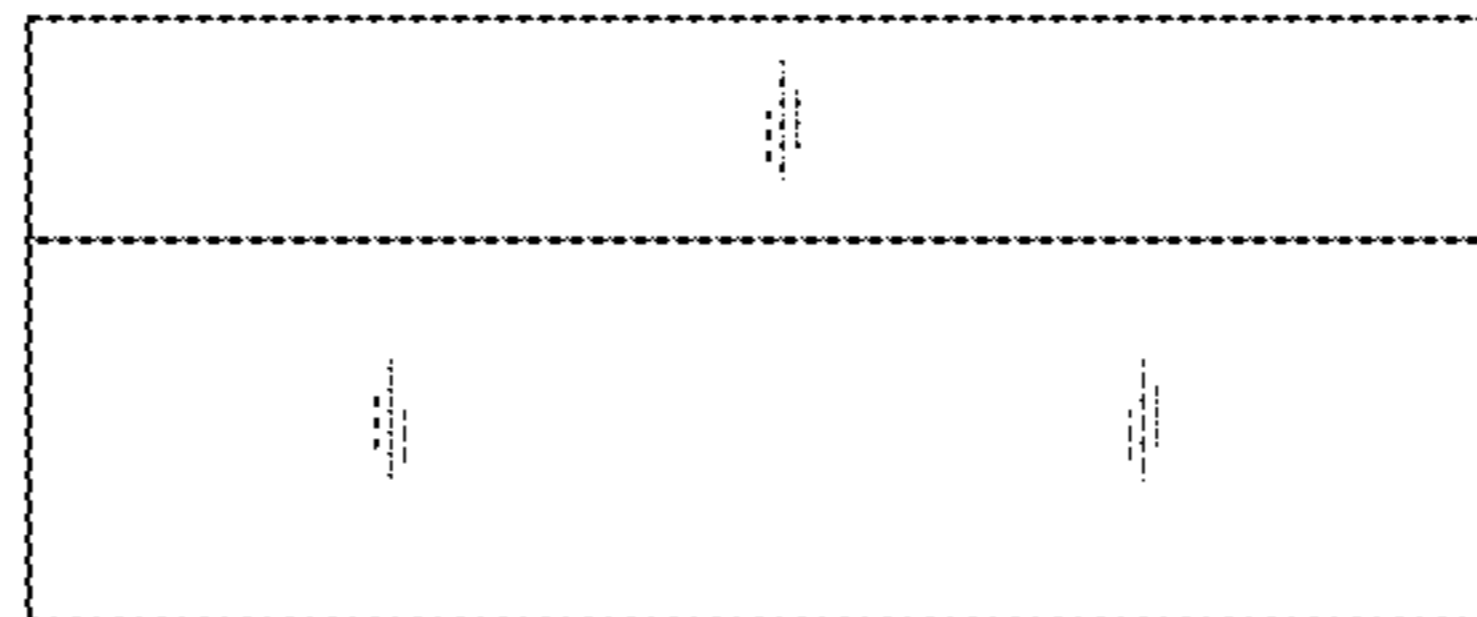


FIG. 6

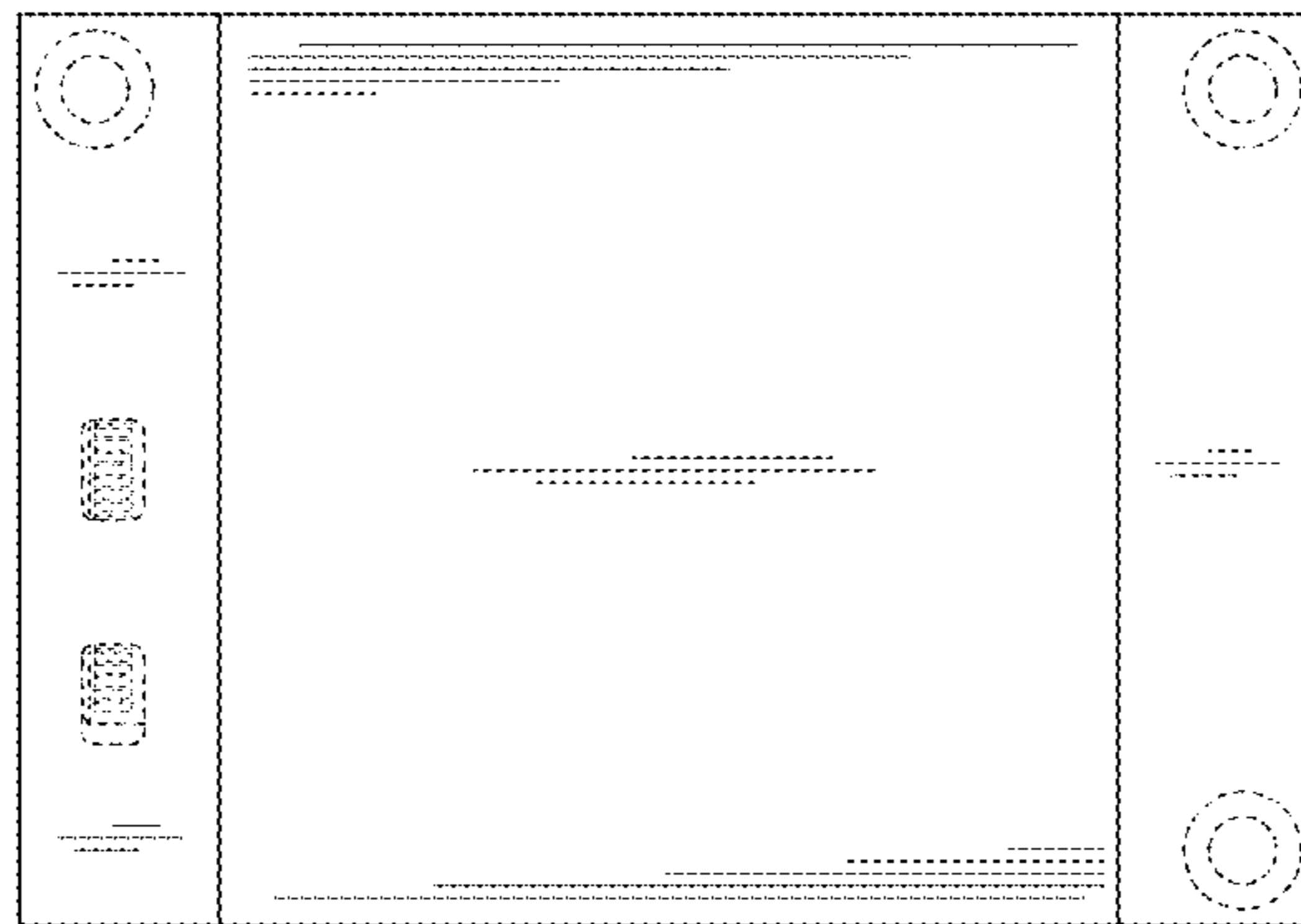




FIG. 7

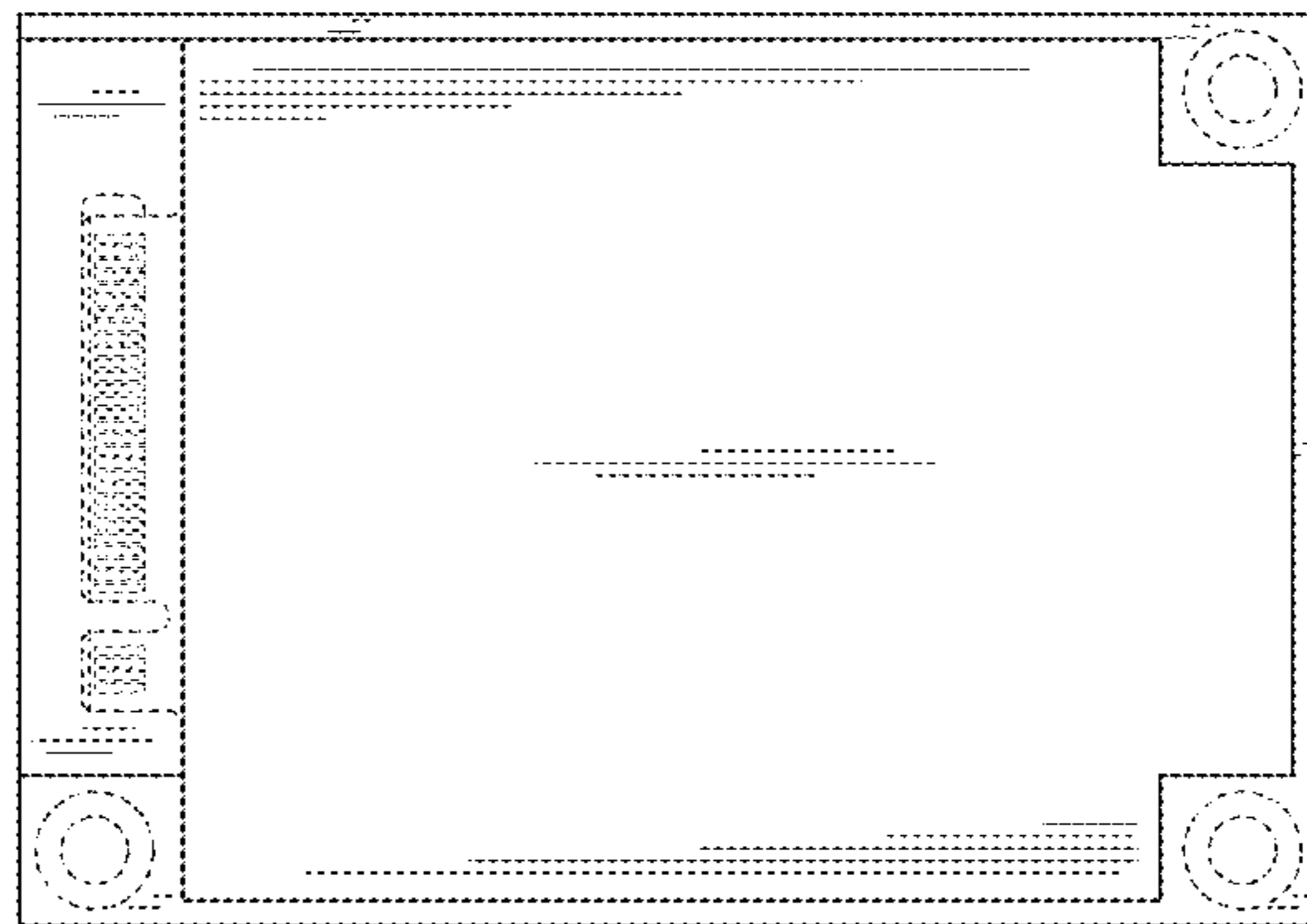


FIG. 8

