



US00D986899S

(12) **United States Design Patent** (10) **Patent No.:** **US D986,899 S**
Cinar et al. (45) **Date of Patent:** **** May 23, 2023**

(54) **SOLID STATE DRIVE MEMORY DEVICE**

(56) **References Cited**

(71) Applicant: **SAMSUNG ELECTRONICS CO., LTD.**, Suwon-si (KR)

U.S. PATENT DOCUMENTS

(72) Inventors: **Yusuf Cinar**, Suwon-si (KR); **Jae Hong Park**, Suwon-si (KR); **Han Hong Lee**, Suwon-si (KR); **Seon Gyun Baek**, Suwon-si (KR); **Won-Gi Hong**, Suwon-si (KR)

D345,959	S	*	4/1994	Cooper	D13/110
D348,247	S	*	6/1994	Cooper	D13/110
5,377,080	A	*	12/1994	Lin	H05K 5/0008 361/801
D354,482	S	*	1/1995	Matsumoto	D14/368
D384,648	S	*	10/1997	Seirio	D13/181
D400,512	S	*	11/1998	Korhonen	D13/184
6,317,317	B1	*	11/2001	Lu	G11B 33/124
D486,154	S	*	2/2004	Nishio	D14/474
D768,134	S	*	10/2016	Andre	D14/436
9,583,153	B1	*	2/2017	Sarraf	G06F 1/183
D826,944	S	*	8/2018	Lim	D14/435
D826,945	S	*	8/2018	Lim	D14/435

(73) Assignee: **SAMSUNG ELECTRONICS CO., LTD.**, Suwon-si (KR)

(Continued)

(**) Term: **15 Years**

FOREIGN PATENT DOCUMENTS

(21) Appl. No.: **29/805,768**

CN	115440673	A	*	12/2022	H05K 1/181
EP	1494518	A1	*	1/2005	H05K 5/0008

(22) Filed: **Aug. 30, 2021**

Primary Examiner — Marie D. Fast Horse

(51) **LOC (14) Cl.** **14-02**

Assistant Examiner — Josiah D. Parsons

(52) **U.S. Cl.**

(74) *Attorney, Agent, or Firm* — Sughrue Mion, PLLC

USPC **D14/435**

(58) **Field of Classification Search**

(57) **CLAIM**

USPC D13/103, 107, 177, 179, 184; D14/301, D14/356, 432, 434, 435, 436, 437, 438, D14/363, 365, 474, 480, 1, 484.1

The ornamental design for a solid state drive memory device, as shown and described.

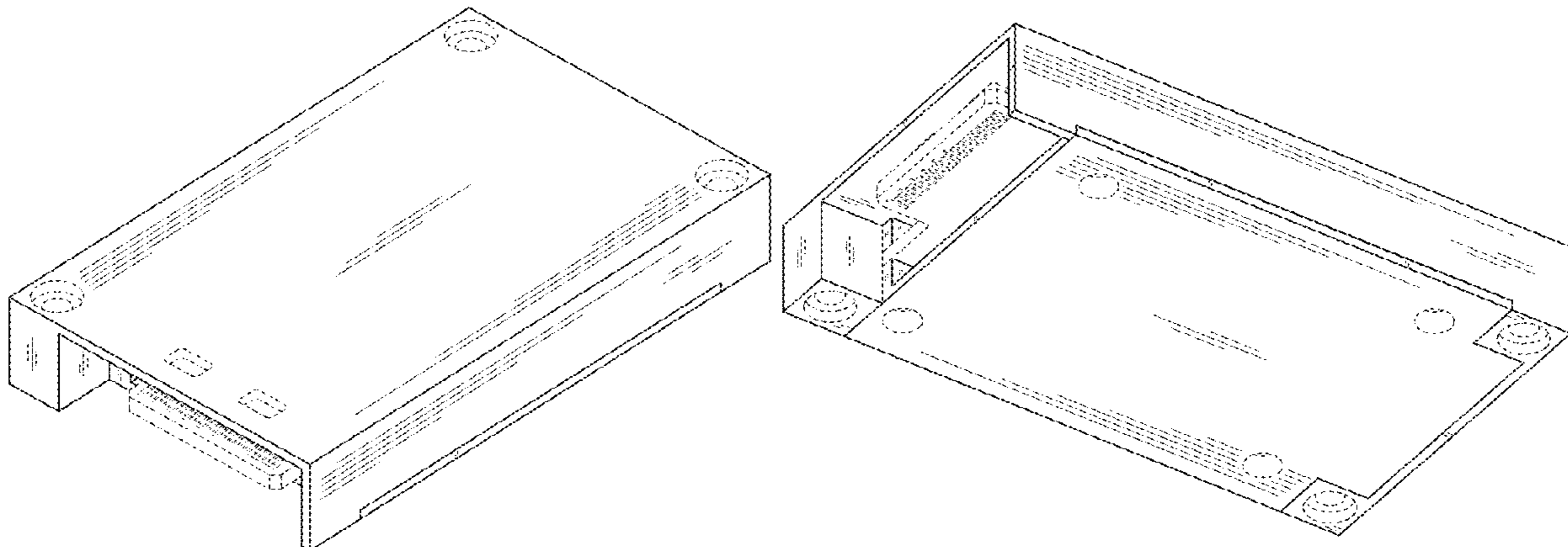
CPC G06F 1/1658; G06F 1/1684; G06F 1/185; G06F 1/187; G06F 1/186; G06K 19/04; G06K 19/041; G06K 19/07728; G06K 19/07732; G06K 19/07747; G06K 19/077; G06K 19/0772; G11B 2220/60; H01L 23/34; H01L 23/40; H05K 5/03; H05K 5/04; H05K 5/06; H05K 5/061; H05K 5/0214; H05K 5/0086; H05K 5/0256; H05K 5/026; H05K 5/0269; H05K 5/0278; H05K 5/0243; H05K 5/0004; H05K 5/0008; H05K 5/0039; H05K 5/0043; H05K 5/0047; G11C 5/00

DESCRIPTION

FIG. 1 is a front perspective view of a solid state drive memory device showing our new design; FIG. 2 is a front view thereof; FIG. 3 is a rear view thereof; FIG. 4 is a left-side view thereof; FIG. 5 is a right-side view thereof; FIG. 6 is a top plan view thereof; FIG. 7 is a bottom plan view thereof; and, FIG. 8 is a bottom perspective view thereof. The evenly dashed broken lines in the figures depict portions of the solid state drive memory device that form no part of the claimed design.

See application file for complete search history.

1 Claim, 8 Drawing Sheets



(56)

References Cited

U.S. PATENT DOCUMENTS

10,346,735 B1 * 7/2019 Lee H05K 5/03
D888,000 S * 6/2020 Lim D13/184
D896,230 S * 9/2020 Jun D14/435
10,929,327 B1 * 2/2021 Schrempp G06F 13/4068
D921,627 S * 6/2021 Jun D14/348
D967,823 S * 10/2022 Crisp D14/435
2012/0250279 A1 * 10/2012 Harashima H05K 1/144
361/760
2012/0281361 A1 * 11/2012 Gunderson H05K 7/20472
29/428
2018/0249585 A1 * 8/2018 Yoshida H05K 5/04
2018/0270943 A1 * 9/2018 Suzuki G06F 1/187
2019/0045674 A1 * 2/2019 Liang H05K 1/181
2022/0248554 A1 * 8/2022 Suzuki G06F 1/187
2022/0394862 A1 * 12/2022 Okubo H05K 5/0026

* cited by examiner

FIG. 1

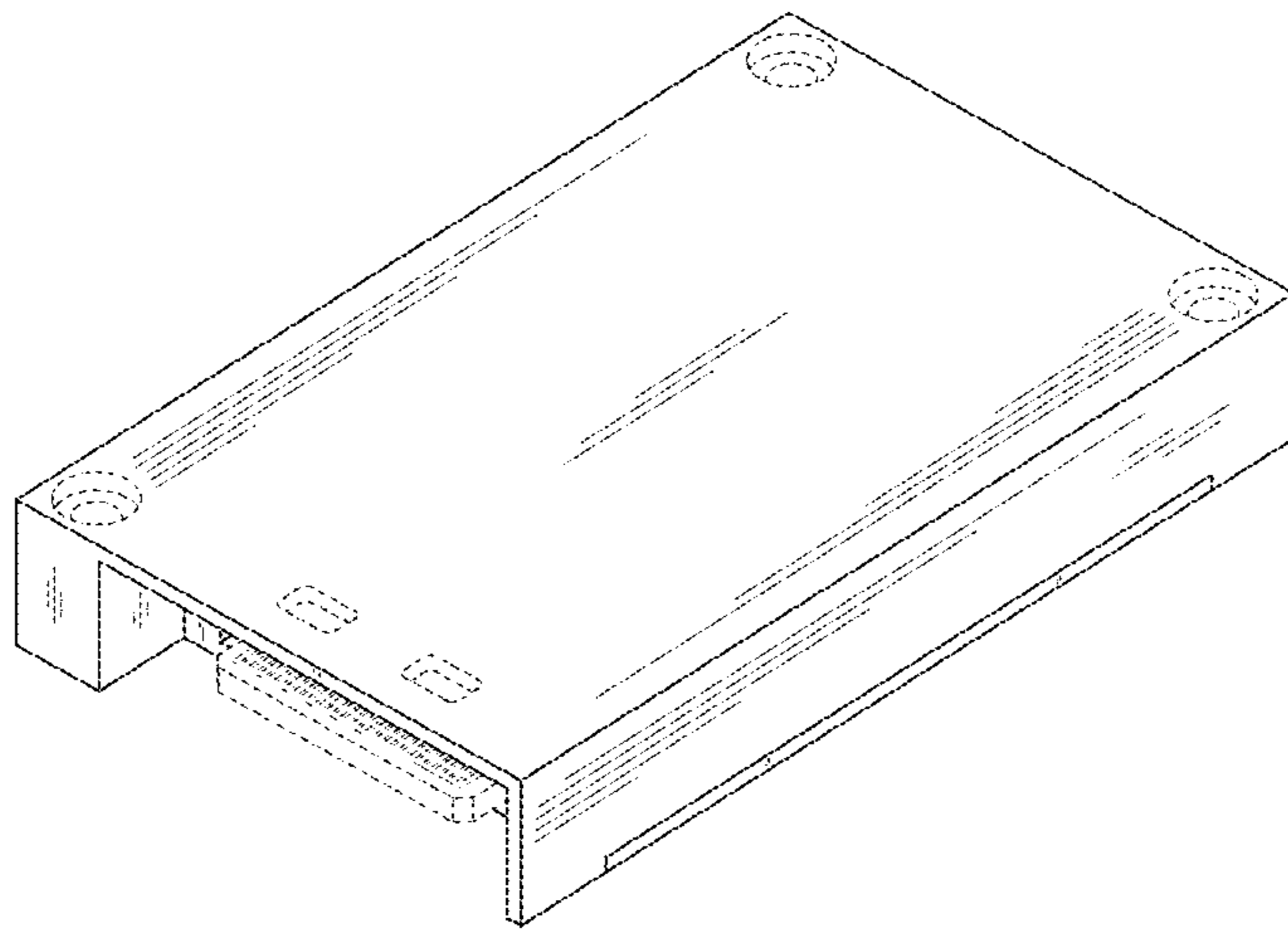


FIG. 2

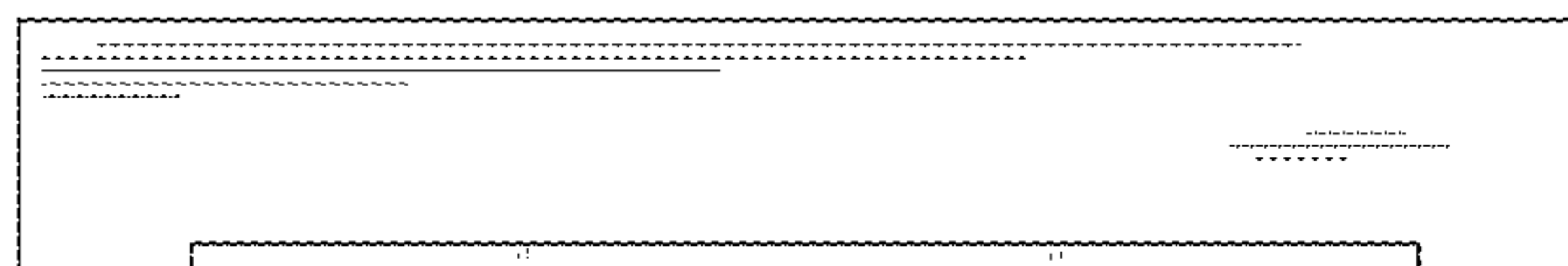


FIG. 3

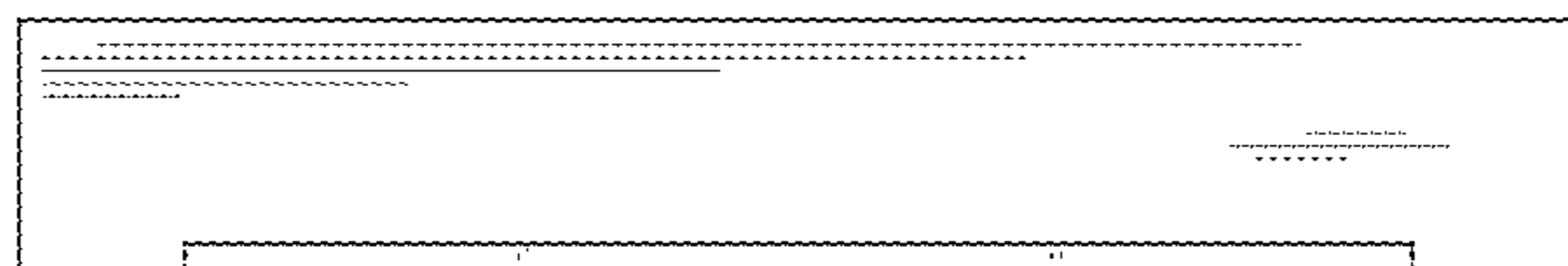


FIG. 4

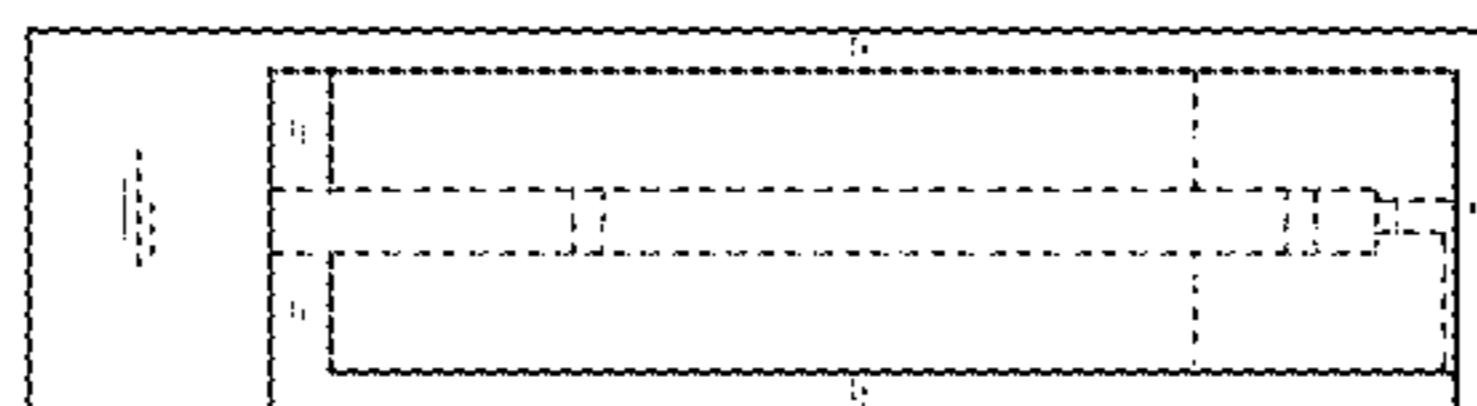


FIG. 5

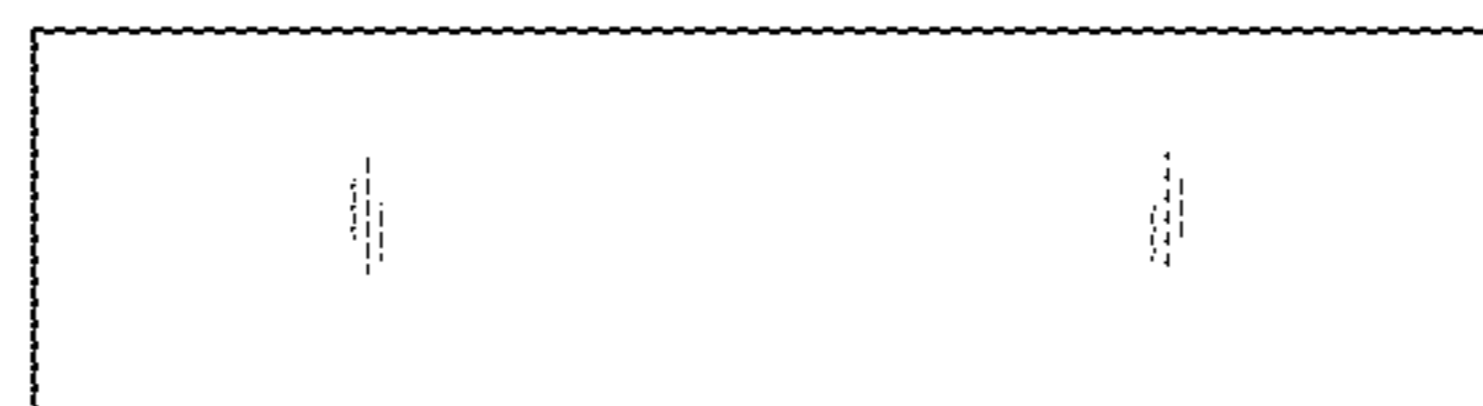


FIG. 6

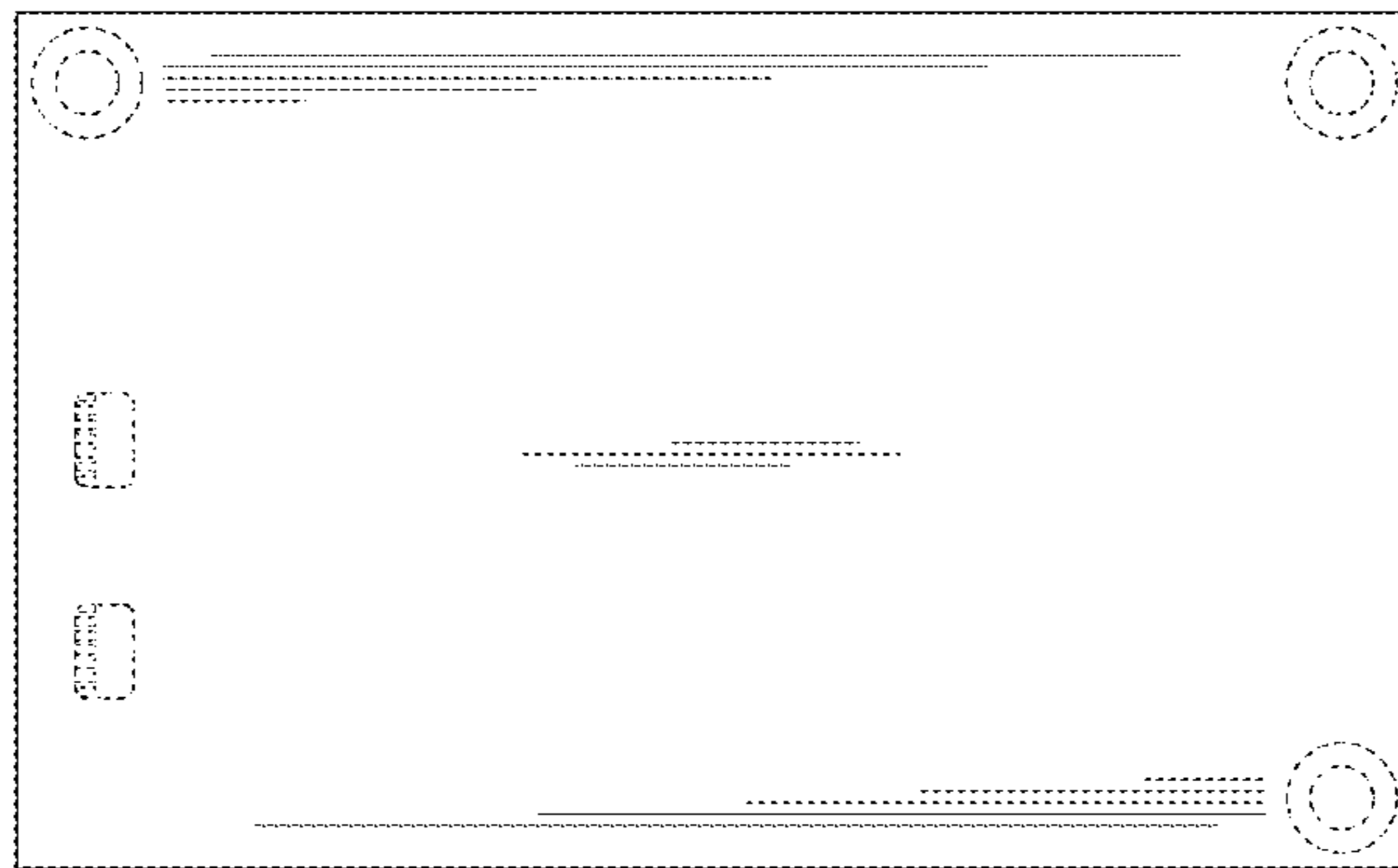


FIG. 7

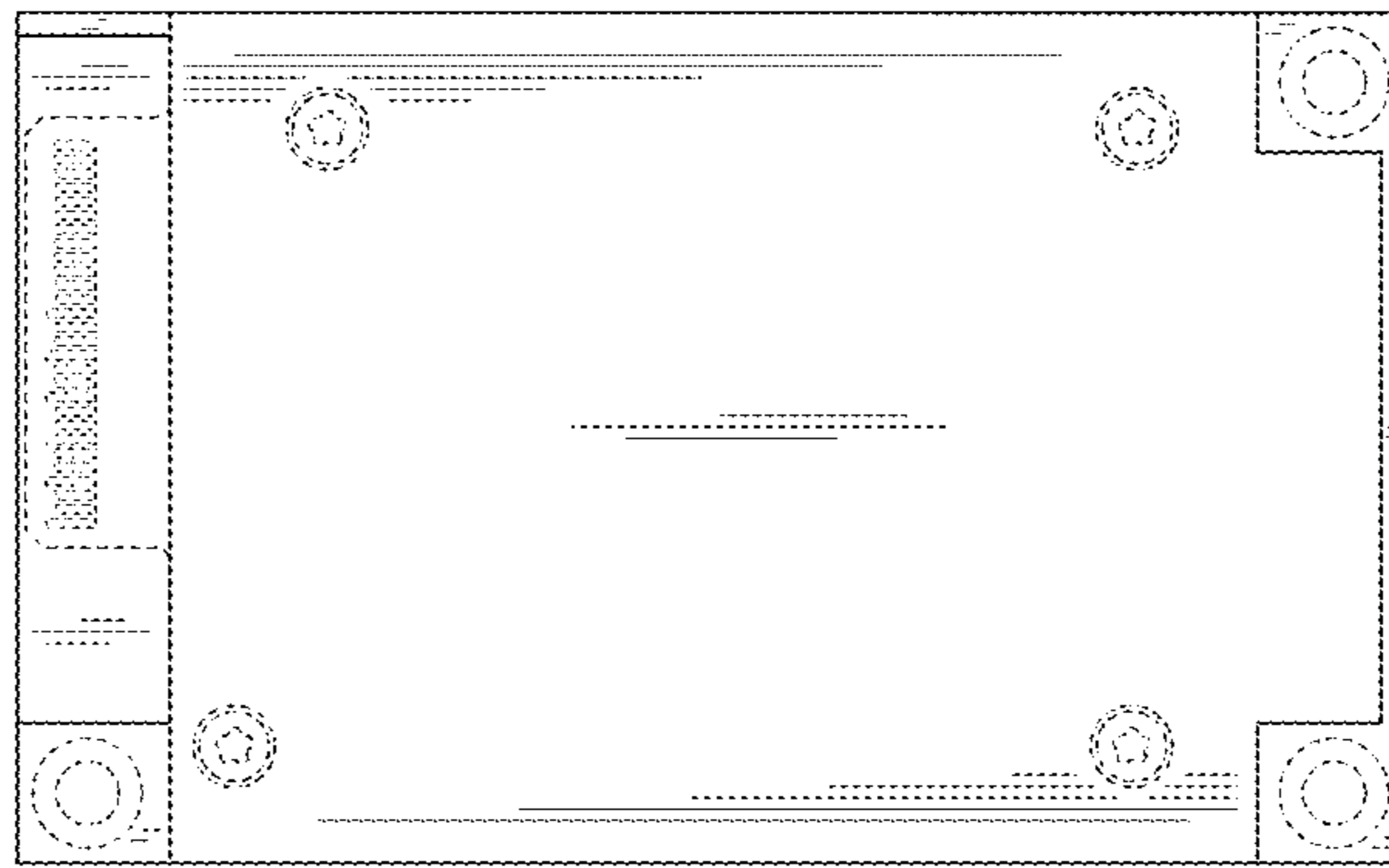


FIG. 8

