



US00D986898S

(12) **United States Design Patent** (10) **Patent No.:** **US D986,898 S**
Cinar et al. (45) **Date of Patent:** **** May 23, 2023**

(54) **SOLID STATE DRIVE MEMORY DEVICE**
(71) Applicant: **SAMSUNG ELECTRONICS CO., LTD.**, Suwon-si (KR)
(72) Inventors: **Yusuf Cinar**, Suwon-si (KR); **Jae Hong Park**, Suwon-si (KR); **Han Hong Lee**, Suwon-si (KR); **Seon Gyun Baek**, Suwon-si (KR); **Won-Gi Hong**, Suwon-si (KR)
(73) Assignee: **SAMSUNG ELECTRONICS CO., LTD.**, Suwon-si (KR)

(**) Term: **15 Years**

(21) Appl. No.: **29/805,766**

(22) Filed: **Aug. 30, 2021**

(51) **LOC (14) Cl.** **14-02**

(52) **U.S. Cl.**
USPC **D14/435**

(58) **Field of Classification Search**
USPC D13/103, 107, 177, 179, 184; D14/301, D14/356, 432, 434, 435, 436, 437, 438, D14/363, 365, 474, 480.1, 484.1
CPC G06F 1/1658; G06F 1/1684; G06F 1/185; G06F 1/187; G06F 1/186; G06K 19/04; G06K 19/041; G06K 19/07728; G06K 19/07732; G06K 19/07747; G06K 19/077; G06K 19/0772; G11B 2220/60; H01L 23/34; H01L 23/40; H05K 5/03; H05K 5/04; H05K 5/06; H05K 5/061; H05K 5/0214; H05K 5/0086; H05K 5/0256; H05K 5/026; H05K 5/0269; H05K 5/0278; H05K 5/0243; H05K 5/0004; H05K 5/0008; H05K 5/0039; H05K 5/0043; H05K 5/0047; G11C 5/00
See application file for complete search history.

(56) **References Cited**
U.S. PATENT DOCUMENTS
D384,648 S * 10/1997 Seirio D13/181
D531,138 S * 10/2006 Ness D13/179
D570,795 S * 6/2008 Horng D13/179
D768,134 S * 10/2016 Andre D14/436
D798,856 S * 10/2017 Menendez D14/313
D799,474 S * 10/2017 Menendez D14/313
D809,515 S * 2/2018 Nada D14/356
D826,944 S * 8/2018 Lim D14/435
D896,230 S * 9/2020 Jun D14/435
D910,465 S * 2/2021 Lindeman D10/49
D914,595 S * 3/2021 Rooyackers D13/110
(Continued)

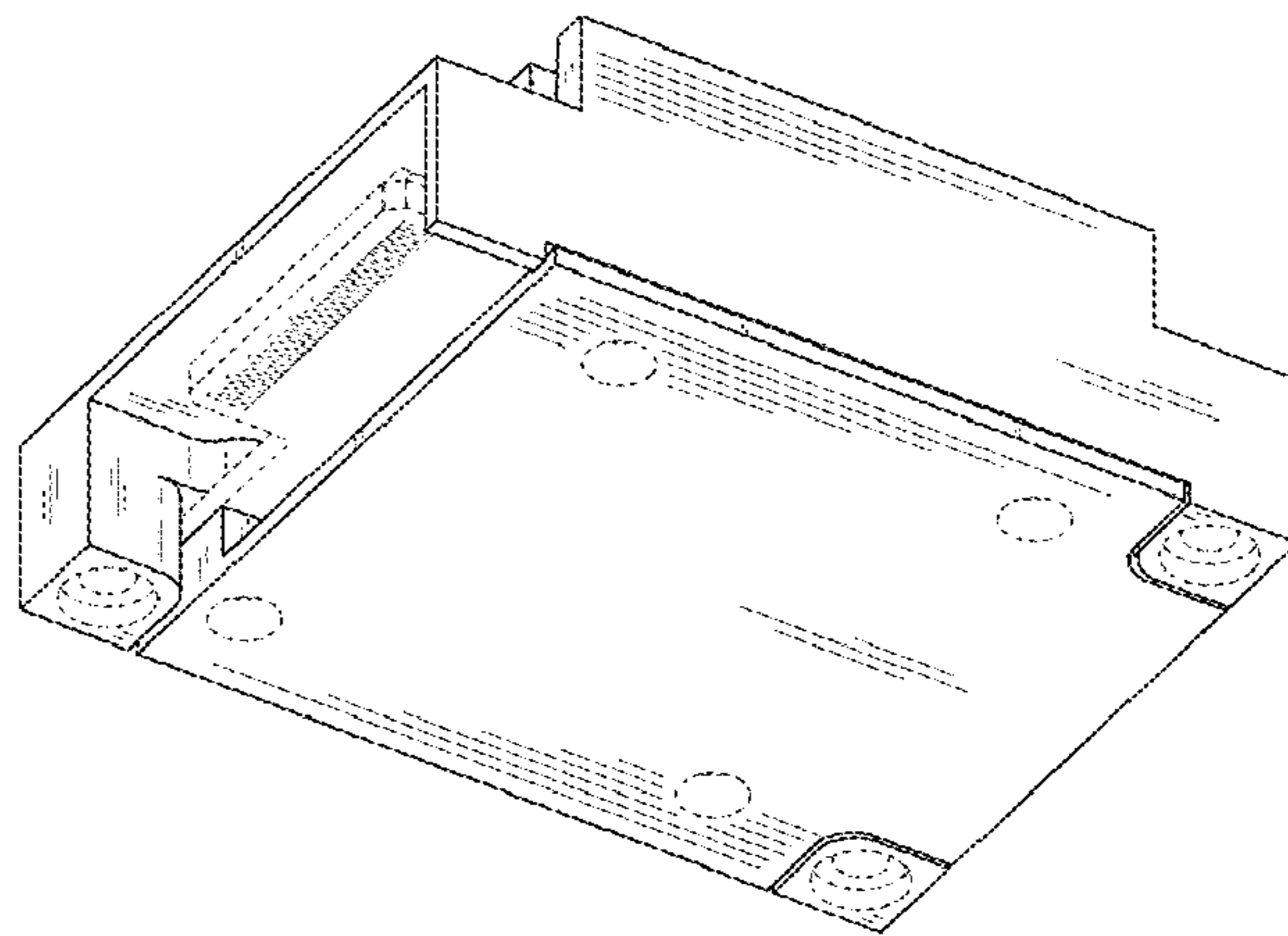
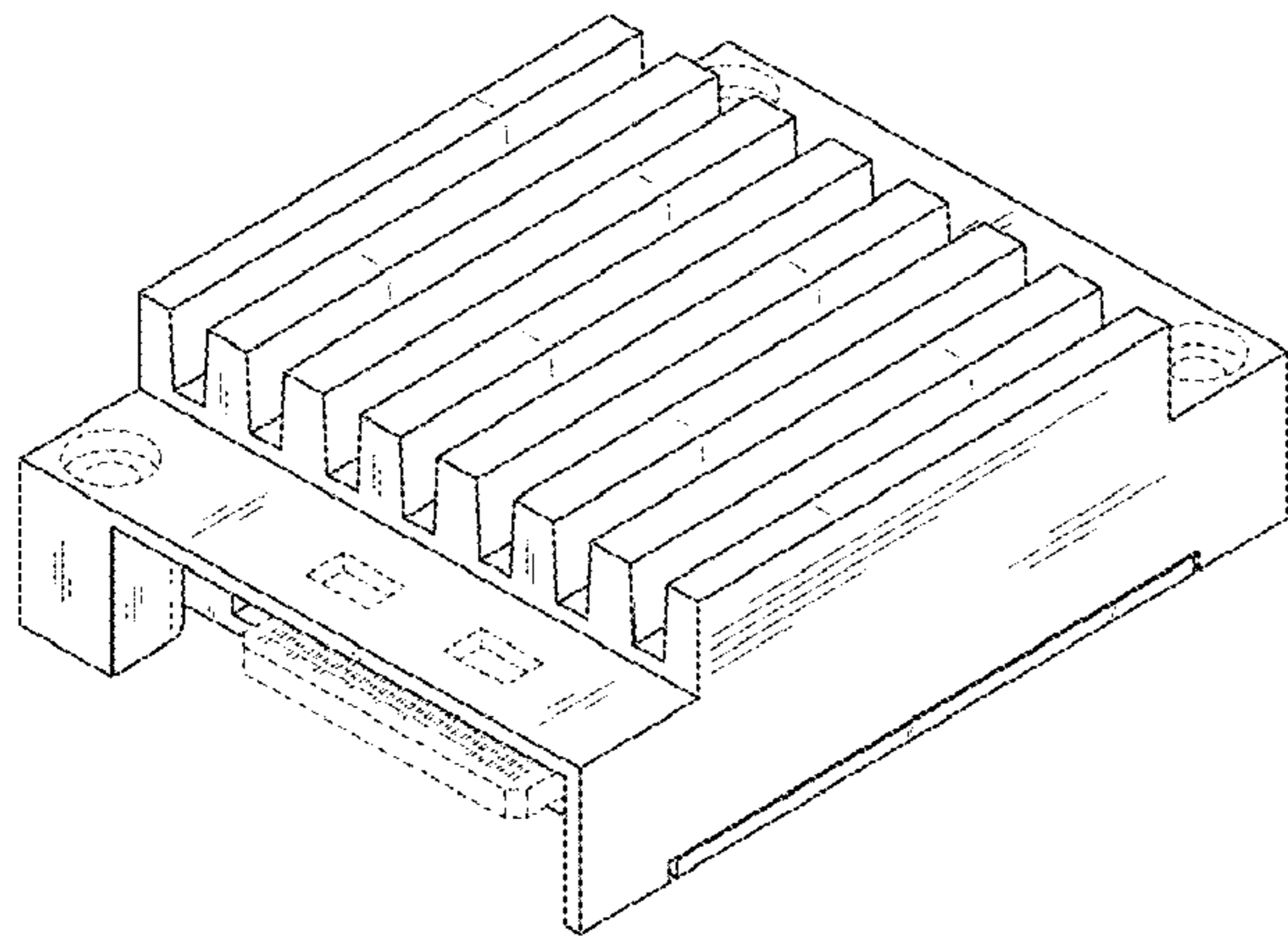
FOREIGN PATENT DOCUMENTS
CN 111818742 A * 10/2020
CN 111988944 A * 11/2020 H05K 5/03
(Continued)

Primary Examiner — Marie D. Fast Horse
Assistant Examiner — Josiah D. Parsons
(74) *Attorney, Agent, or Firm* — Sughrue Mion, PLLC

(57) **CLAIM**
The ornamental design for a solid state drive memory device, as shown and described.

DESCRIPTION
FIG. 1 is a front perspective view of a solid state drive memory device showing our new design;
FIG. 2 is a front view thereof;
FIG. 3 is a rear view thereof;
FIG. 4 is a left-side view thereof;
FIG. 5 is a right-side view thereof;
FIG. 6 is a top plan view thereof;
FIG. 7 is a bottom plan view thereof; and,
FIG. 8 is a bottom perspective view thereof.
The evenly dashed broken lines in the figures depict portions of the solid state drive memory device that form no part of the claimed design.

1 Claim, 8 Drawing Sheets



(56)

References Cited

U.S. PATENT DOCUMENTS

D943,586 S * 2/2022 Jun D14/435
D967,823 S * 10/2022 Crisp D14/435
D977,415 S * 2/2023 Sun D13/103
2011/0168350 A1* 7/2011 Kawano H01L 23/4093
29/428
2015/0201533 A1* 7/2015 Daughtry, Jr. H05K 9/0032
29/840
2016/0150676 A1* 5/2016 Turgeon G02B 6/4269
361/692
2016/0227674 A1* 8/2016 Hsu H01L 23/367
2020/0375064 A1* 11/2020 Chen H05K 7/20172

FOREIGN PATENT DOCUMENTS

FR 3063863 A1 * 9/2018
WO WO-2015161636 A1 * 10/2015 H05K 5/04
WO WO-2016087218 A1 * 6/2016

* cited by examiner

FIG. 1

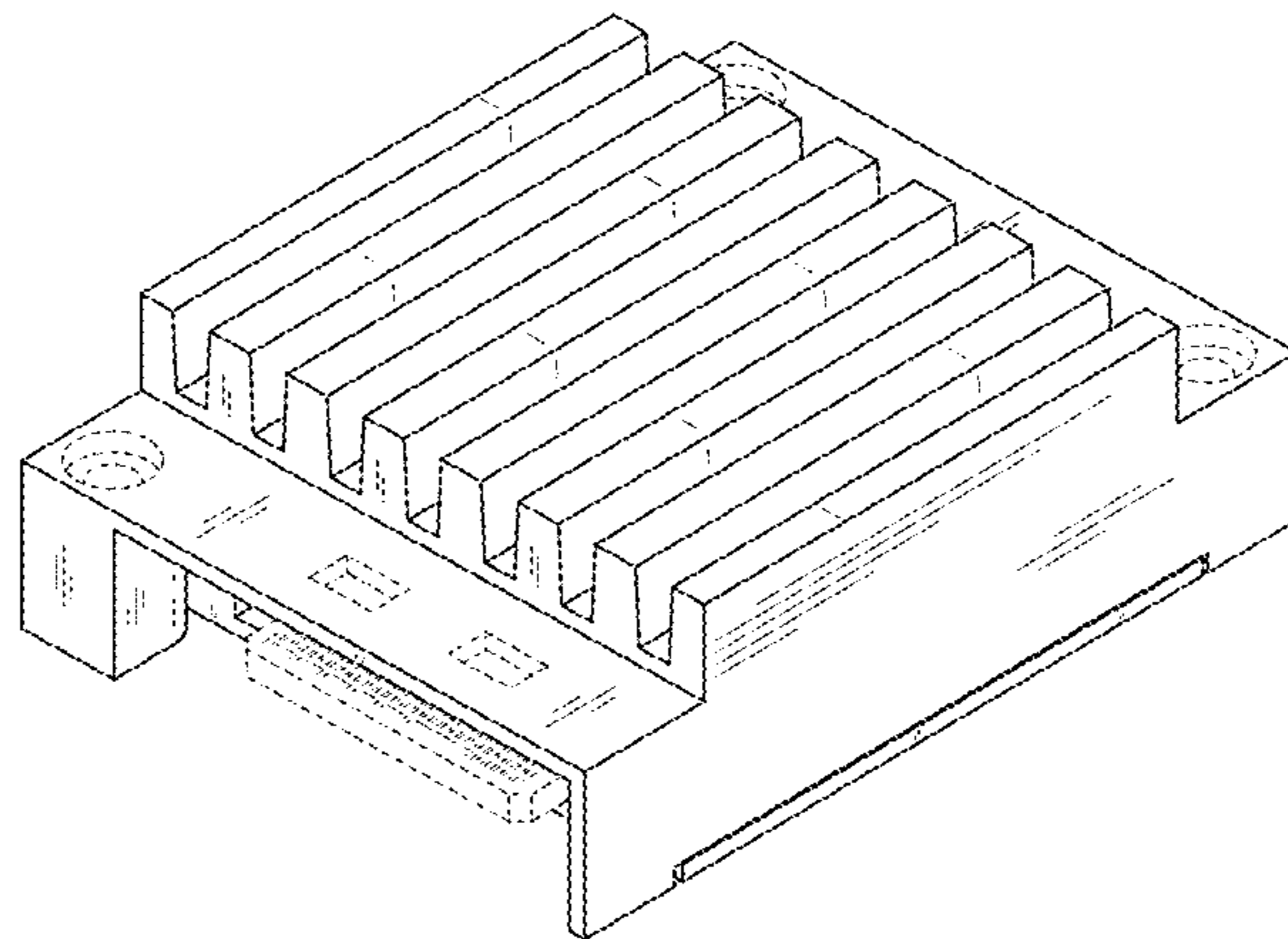


FIG. 2

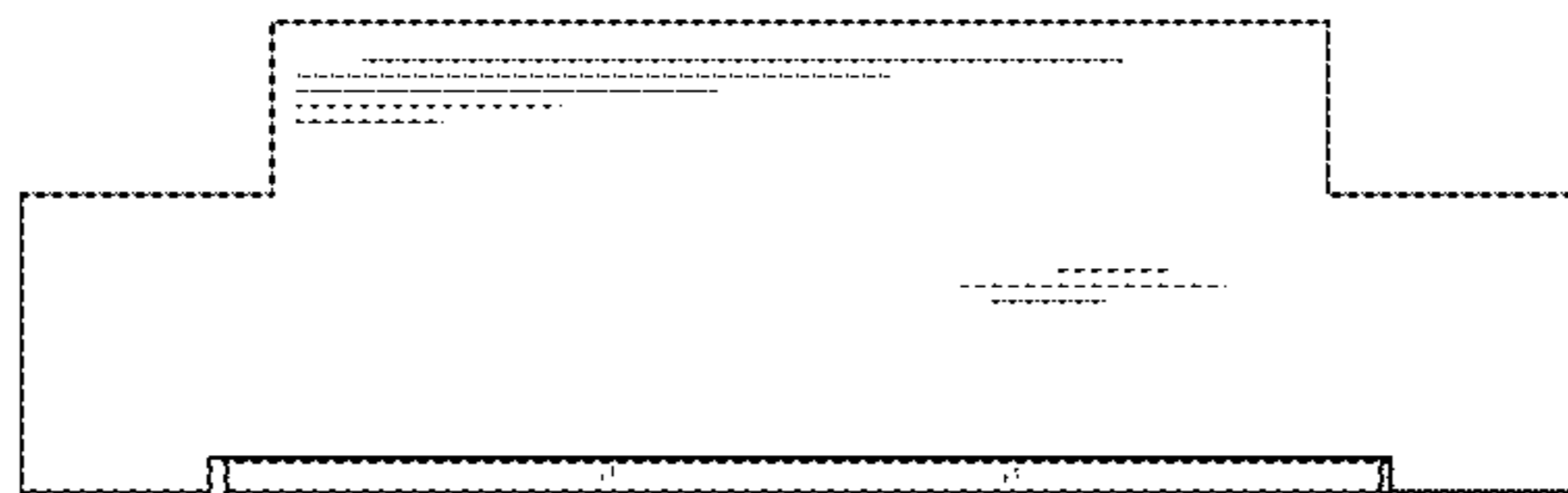


FIG. 3

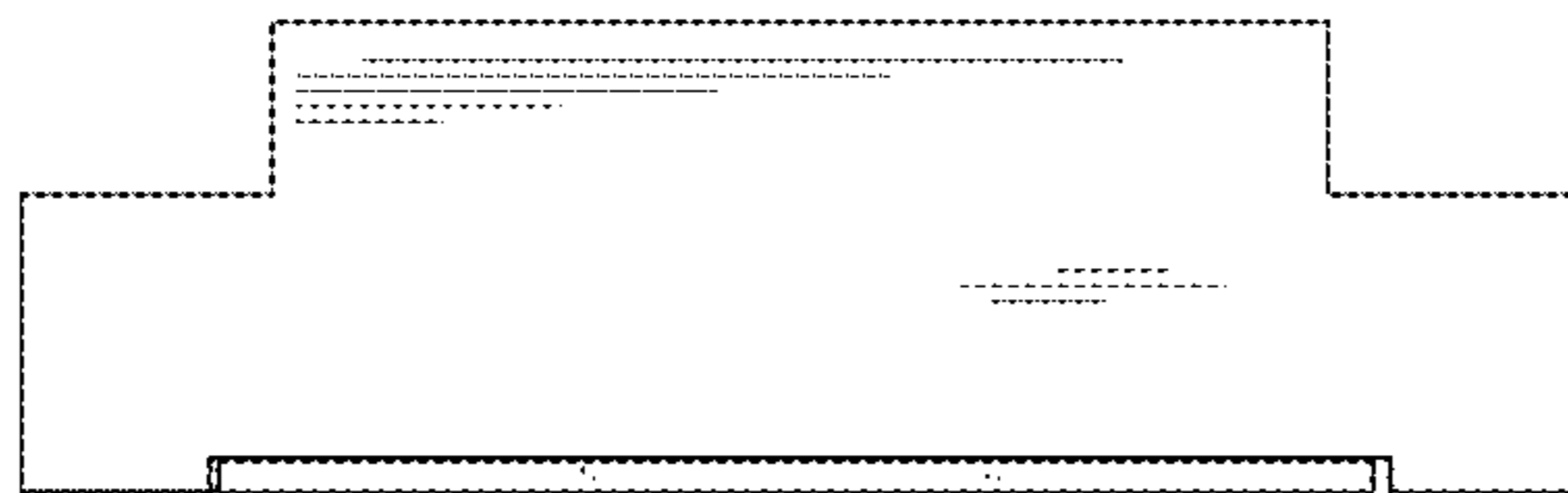


FIG. 4

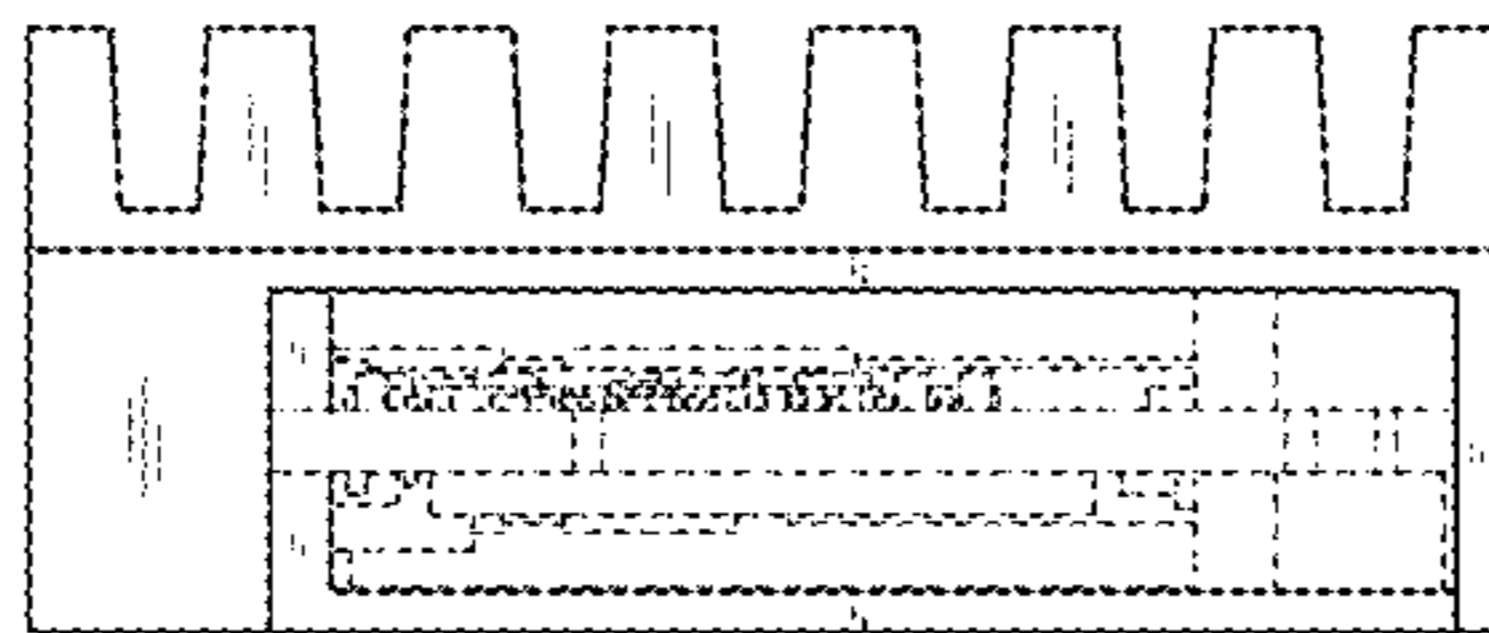


FIG. 5

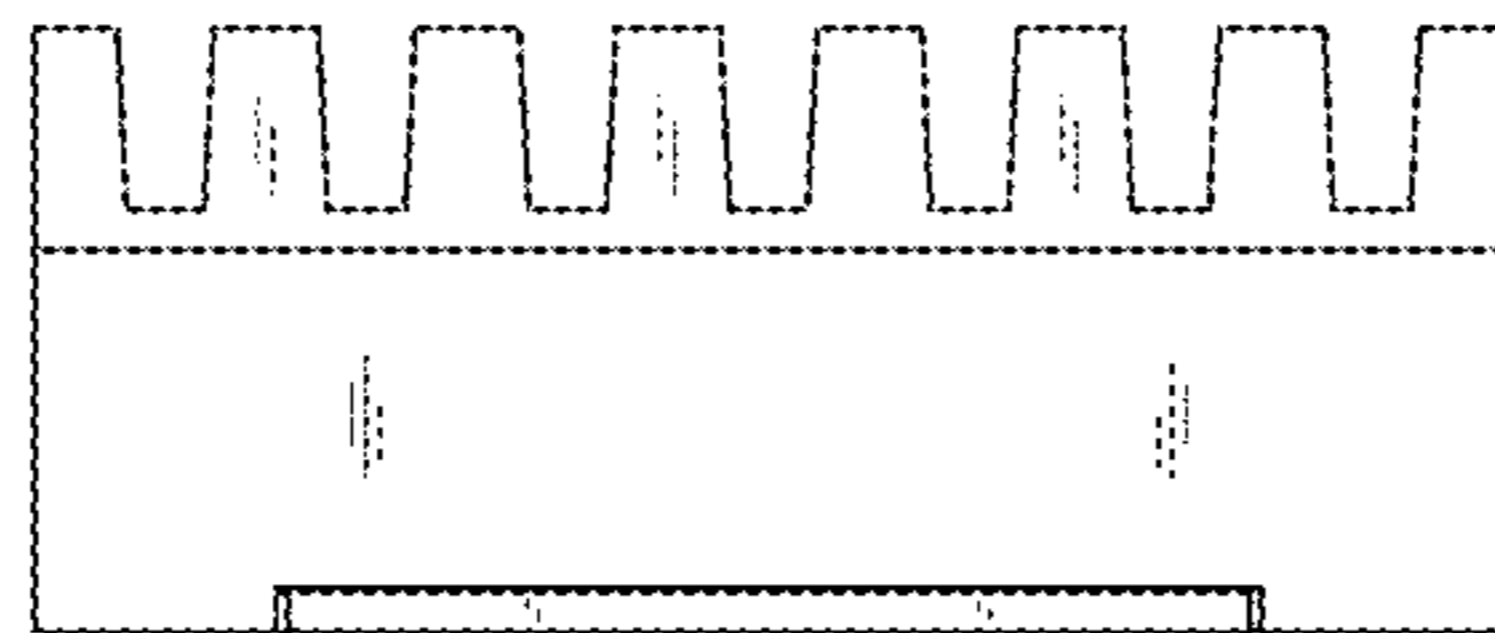


FIG. 6

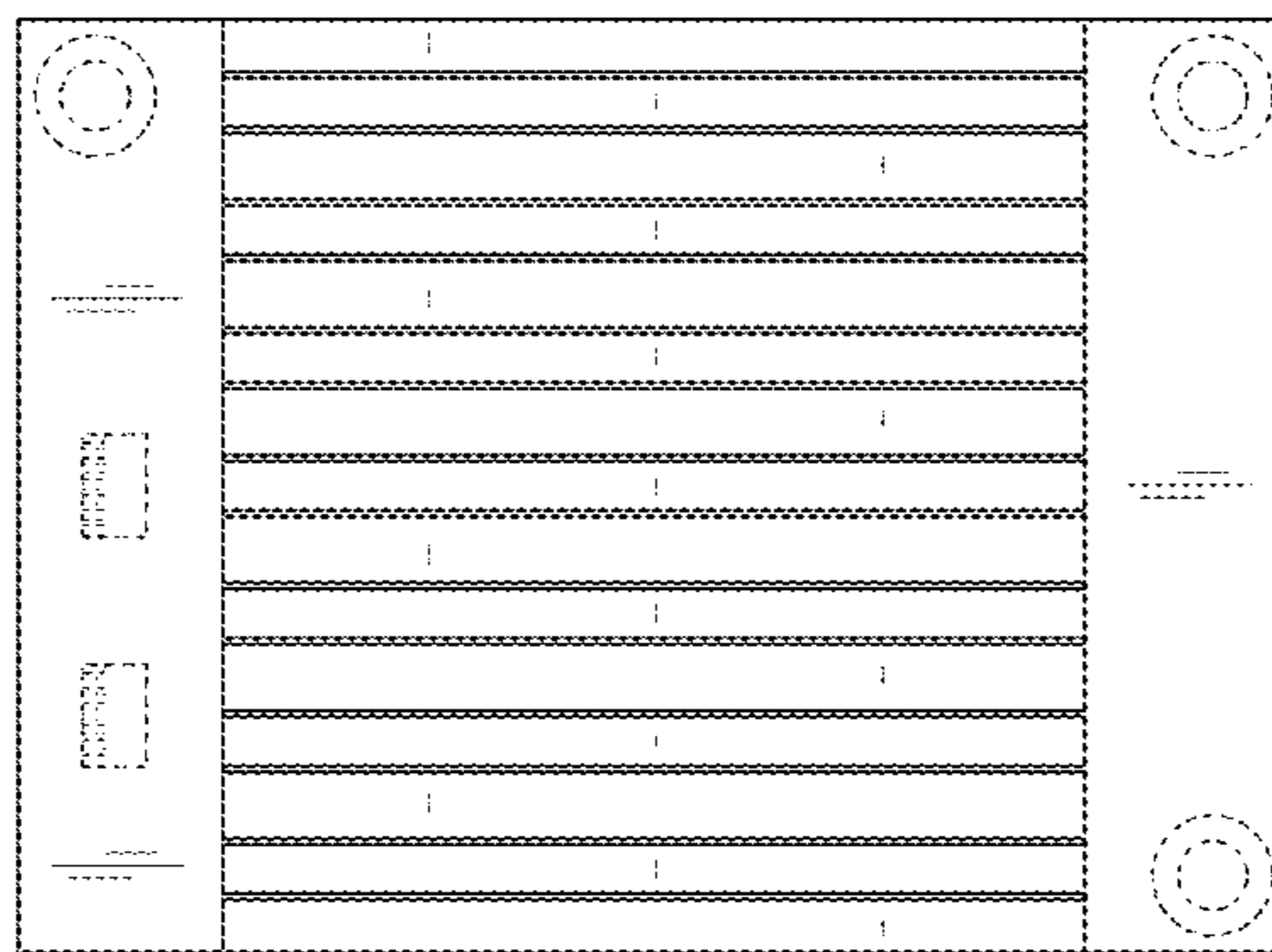


FIG. 7

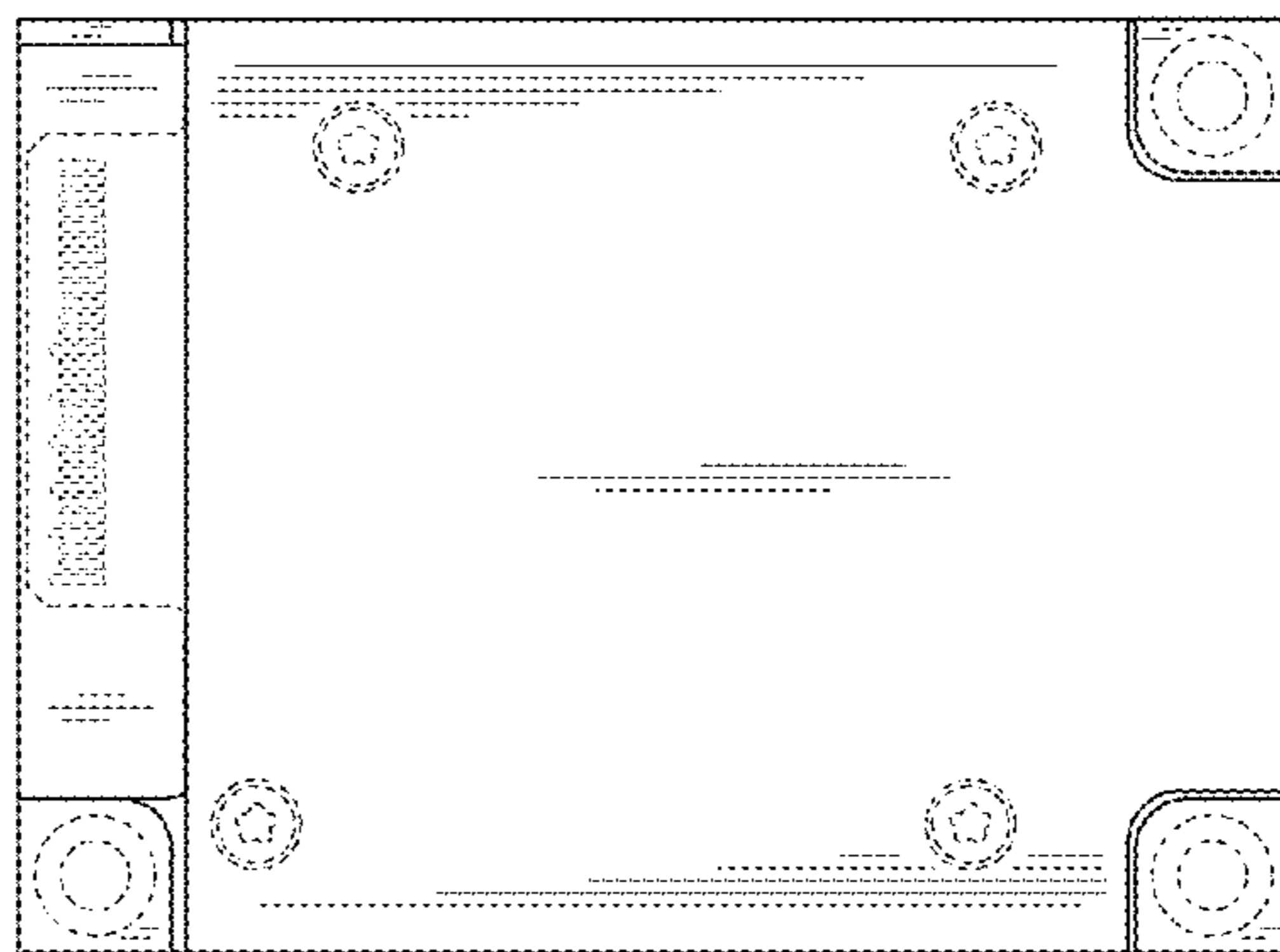


FIG. 8

