



US00D986896S

(12) **United States Design Patent**
Cheng

(10) **Patent No.:** **US D986,896 S**

(45) **Date of Patent:** **** May 23, 2023**

- (54) **GAME PROTECTION CASE**
- (71) Applicant: **GUANGZHOU HUIYUE TECHNOLOGY DEVELOPMENT CO., LTD.**, Guangzhou (CN)
- (72) Inventor: **Ganhua Cheng**, Anqing (CN)
- (73) Assignee: **GUANGZHOU HUIYUE TECHNOLOGY DEVELOPMENT CO., LTD.**, Guangzhou (CN)

D811,412 S *	2/2018	McCurdy	D14/440
D862,480 S *	10/2019	Chan	D14/440
D897,440 S *	9/2020	Weng	D21/333
D916,708 S *	4/2021	Ke	D14/440
D945,428 S *	3/2022	Xu	D14/440
D946,577 S *	3/2022	Wall	D14/440
D959,561 S *	8/2022	Zhang	D21/333
D963,044 S *	9/2022	Zhang et al.	
D964,993 S *	9/2022	Xu	D14/440
D974,356 S *	1/2023	Nie	D14/341
D975,186 S *	1/2023	Weng	D21/333
D977,012 S *	1/2023	Yang	D21/333

(**) Term: **15 Years**

(21) Appl. No.: **29/882,596**

(22) Filed: **Jan. 17, 2023**

(51) **LOC (14) Cl.** **14-02**

(52) **U.S. Cl.**
USPC **D14/440; D21/333**

(58) **Field of Classification Search**
USPC D14/440, 447, 250, 308, 345, 353, 126,
D14/430; 206/45.23, 320, 45.2;
361/679.55; 294/25; 224/218
CPC ... G06F 1/1628; G06F 1/1626; A47B 23/044;
H04B 1/3888; A45C 11/00; F16J 15/32;
A63F 9/06
See application file for complete search history.

(56) **References Cited**

U.S. PATENT DOCUMENTS

D613,285 S *	4/2010	Grant	D14/341
D727,917 S *	4/2015	Yeo	D14/440

* cited by examiner

Primary Examiner — Cynthia R Underwood

(74) *Attorney, Agent, or Firm* — Daniel M. Cohn;
Howard M. Cohn

(57) **CLAIM**

The ornamental design for a game protection case, as shown and described.

DESCRIPTION

FIG. 1 is a perspective view of a game protection case showing my new design;
FIG. 2 is another perspective view thereof;
FIG. 3 is a front elevational view thereof;
FIG. 4 is a rear elevational view thereof;
FIG. 5 is a left side elevational view thereof;
FIG. 6 is a right side elevational view thereof;
FIG. 7 is a top plan view thereof;
FIG. 8 is a bottom plan view thereof; and,
FIG. 9 is a perspective view of the game protection case shown in a position of use.

1 Claim, 9 Drawing Sheets

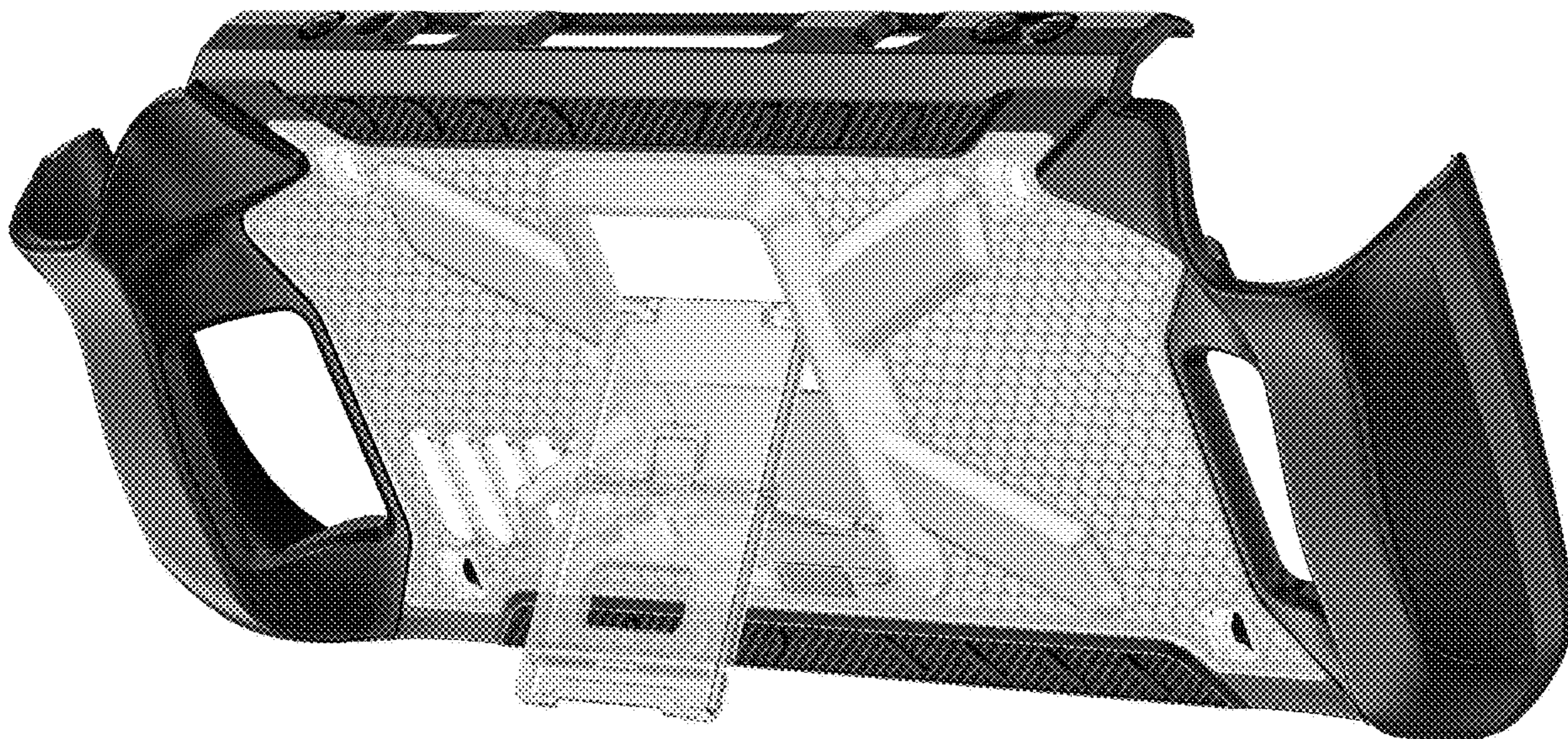




FIG. 1

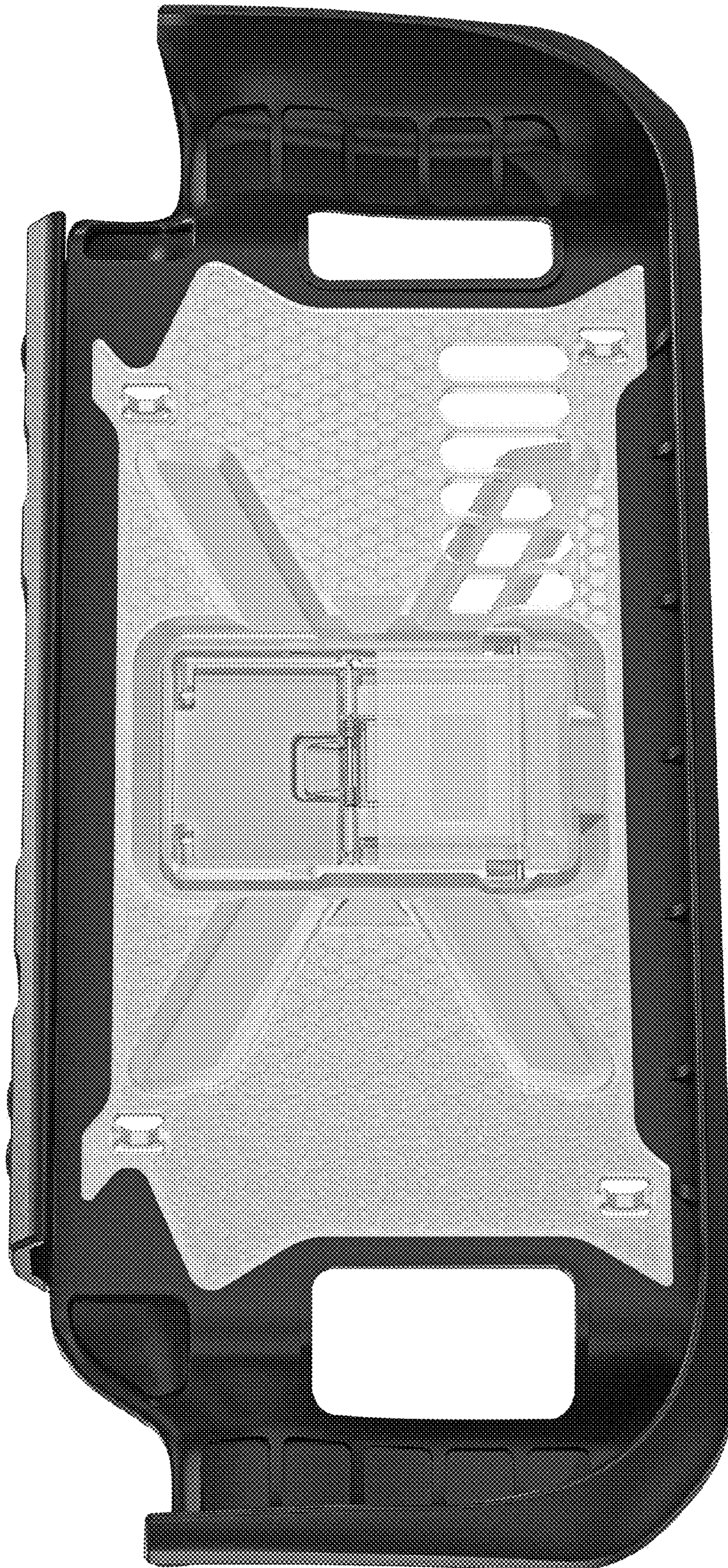


FIG. 2

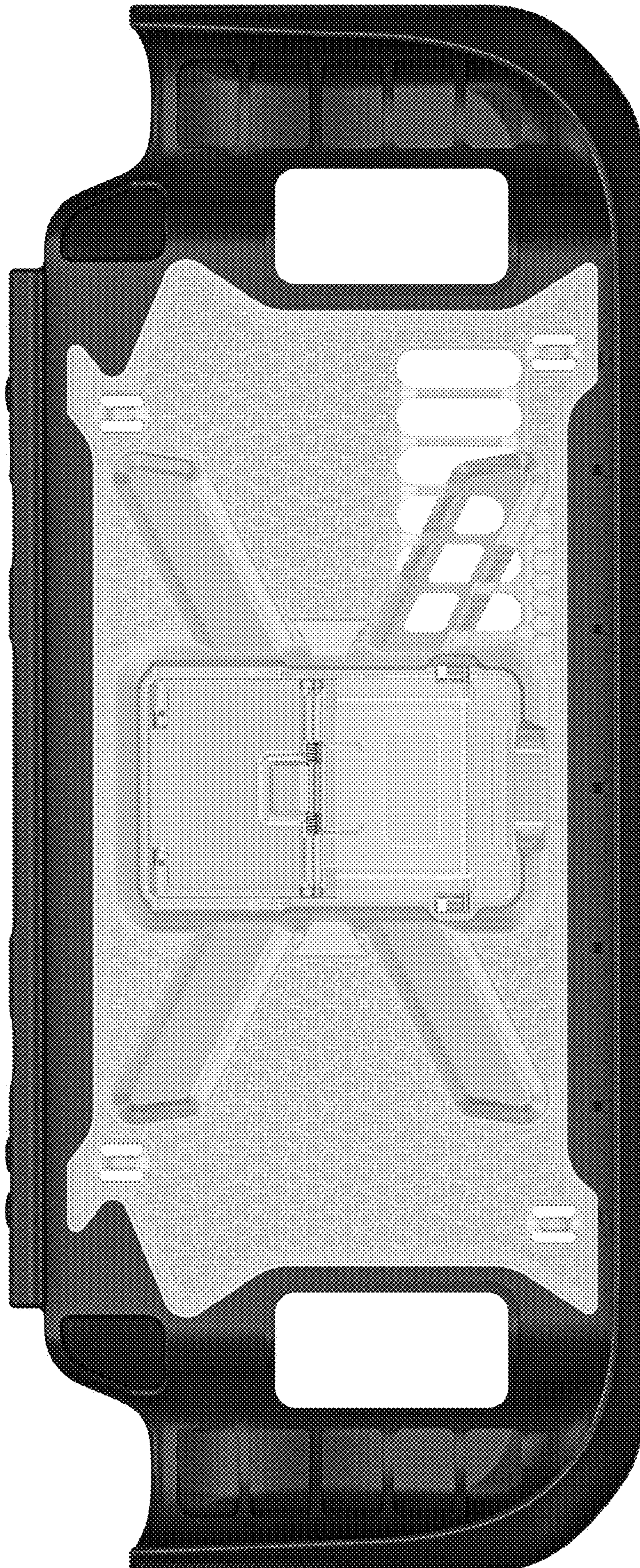


FIG. 3



FIG. 4

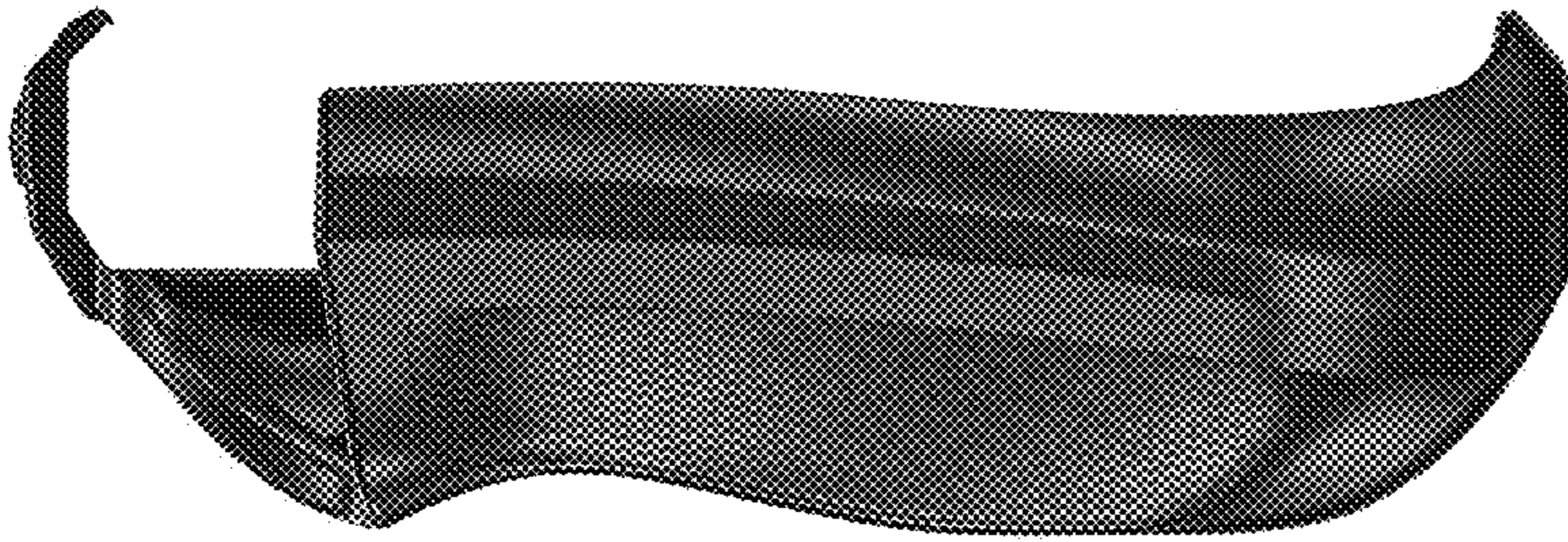


FIG. 5

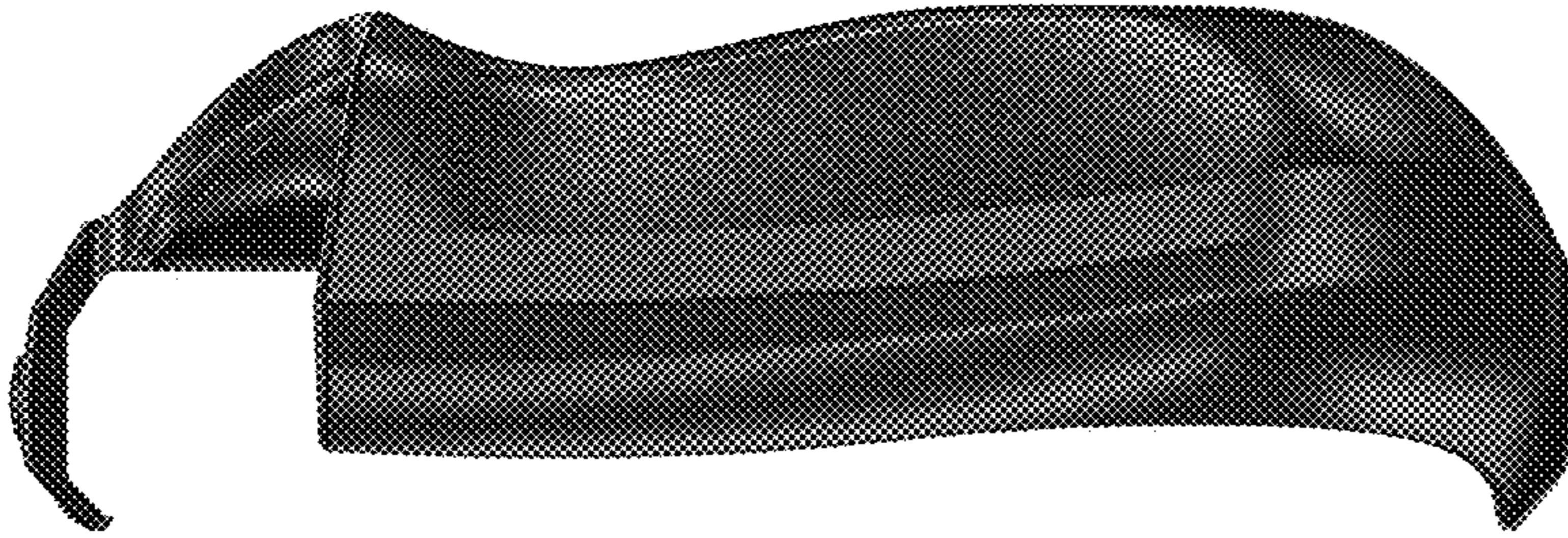


FIG. 6

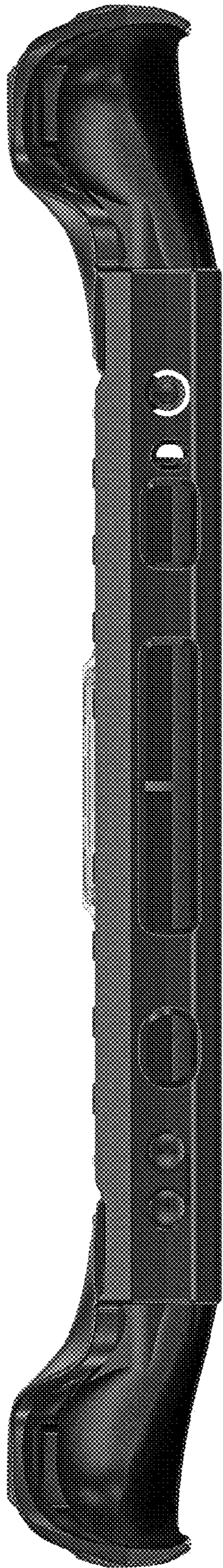


FIG. 7

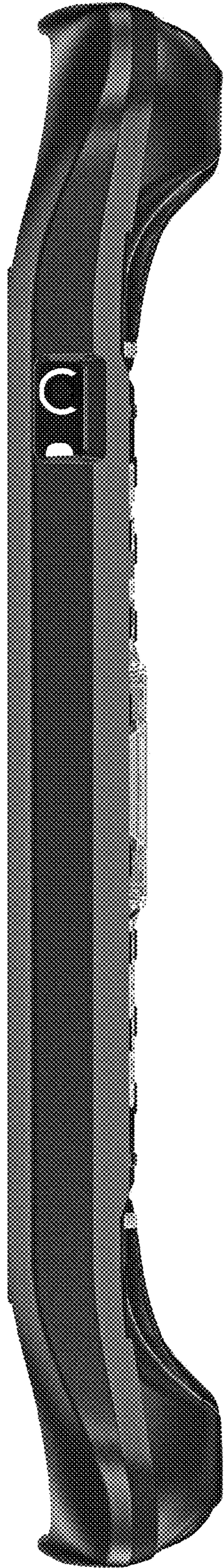


FIG. 8

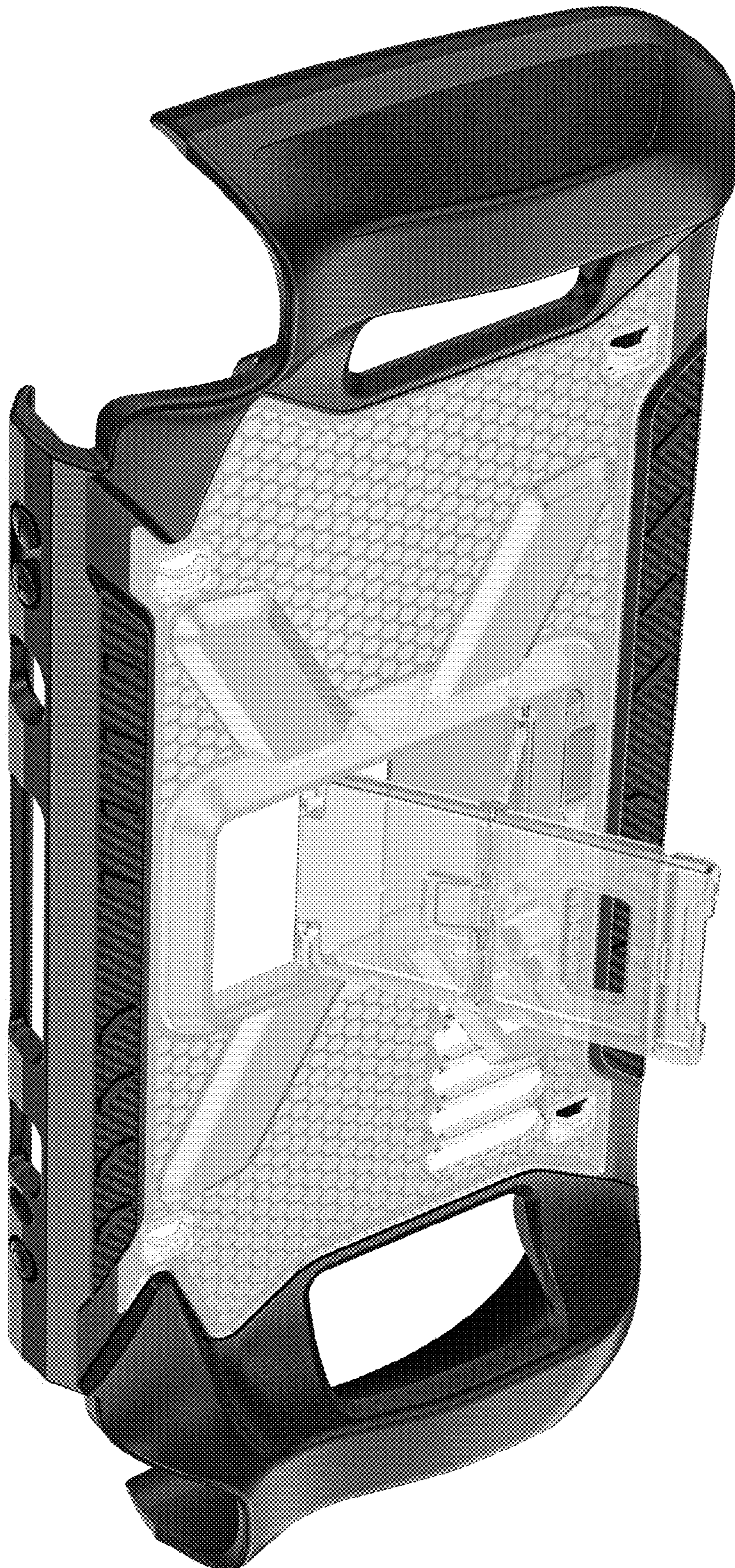


FIG. 9