



US00D986893S

(12) **United States Design Patent** (10) **Patent No.:** **US D986,893 S**  
**Tang** (45) **Date of Patent:** **\*\* May 23, 2023**

(54) **USB HUB**

(71) Applicant: **Li Tang**, Yongzhou (CN)

(72) Inventor: **Li Tang**, Yongzhou (CN)

(\*\*) Term: **15 Years**

(21) Appl. No.: **29/863,402**

(22) Filed: **Dec. 19, 2022**

(51) **LOC (14) Cl.** ..... **14-02**

(52) **U.S. Cl.**

USPC ..... **D14/433**

(58) **Field of Classification Search**

USPC ..... D13/133, 144, 145, 146, 154, 107, 108,  
D13/110, 162; D14/155, 217, 433, 434,  
D14/435.1, 240, 242, 356, 358, 496;  
455/41.2, 41.3

CPC .. H04B 1/385; H04M 1/6091; H04M 1/6066;  
H01R 24/58; H01R 2201/26; H01R  
31/02; B60R 2011/0054; B60R 11/0241

See application file for complete search history.

(56) **References Cited**

**U.S. PATENT DOCUMENTS**

D549,684 S *	8/2007	Lee	.....	D14/155
D552,604 S *	10/2007	Andre	.....	D14/242
D847,139 S *	4/2019	Wang	.....	D14/433
D853,397 S *	7/2019	Wang	.....	D14/435.1
D863,310 S *	10/2019	Liao	.....	D14/433
D868,784 S *	12/2019	Turksu	.....	D14/433
D881,832 S *	4/2020	Zhang	.....	D14/155
D886,824 S *	6/2020	Zhan	.....	D14/433
D893,488 S *	8/2020	Liu	.....	D14/433
D894,190 S *	8/2020	Zhang	.....	D14/433
D900,107 S *	10/2020	Wu	.....	D14/433
D900,108 S *	10/2020	Wu	.....	D14/433
D900,109 S *	10/2020	Wu	.....	D14/433
D902,211 S *	11/2020	Jiang	.....	D14/433
D903,682 S *	12/2020	Zhang	.....	D14/433

D923,626 S *	6/2021	Zhang	.....	D14/433
D930,652 S *	9/2021	Lo	.....	D14/433
D935,429 S *	11/2021	Green	.....	D14/155
D937,271 S *	11/2021	Lin	.....	
2012/0243156 A1*	9/2012	Cheng	.....	G06F 13/4022 361/679.02

**OTHER PUBLICATIONS**

Mekafu USB C, first available Oct. 10, 2022 [online], [retrieved Feb. 25, 2023]. Available from the Internet, URL:<https://a.co/d/ce7rEEem>. (Year: 2022).\*

USB Hub 3.0, first available May 8, 2019 [online], [retrieved Feb. 25, 2023]. Available from the Internet, URL:<https://a.co/d/3ilxGC3>. (Year: 2019).\*

Dockteck USB C Hub, first available Jul. 13, 2021 [online], [retrieved Feb. 25, 2023]. Available from the Internet, URL:<https://a.co/d/aolZqT5>. (Year: 2021).\*

\* cited by examiner

*Primary Examiner* — Sandra Snapp

*Assistant Examiner* — Russell Carnell Smith, Jr.

(74) *Attorney, Agent, or Firm* — Georgi Korobanov

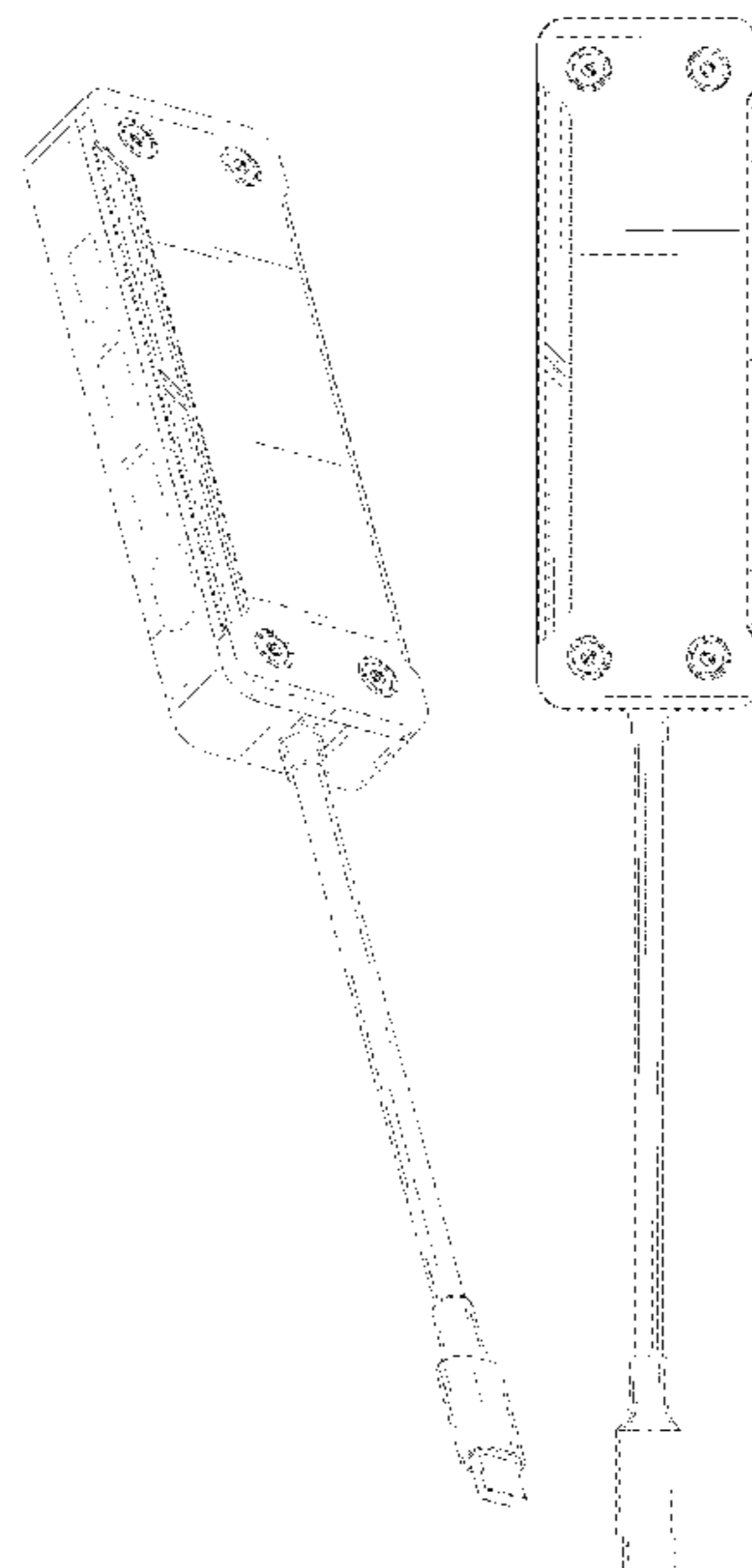
(57) **CLAIM**

The ornamental design for a USB hub, as shown and described.

**DESCRIPTION**

FIG. 1 is a front, bottom and left side perspective view of a USB hub, showing my new design;  
FIG. 2 is a rear, top and right side perspective view thereof;  
FIG. 3 is a front view thereof;  
FIG. 4 is a rear view thereof;  
FIG. 5 is a left side view thereof;  
FIG. 6 is a right side view thereof;  
FIG. 7 is an enlarged top plan view thereof; and,  
FIG. 8 is an enlarged bottom plan view thereof.  
The broken lines shown in the drawings illustrate portions of the USB hub that form no part of the claimed design.

**1 Claim, 8 Drawing Sheets**



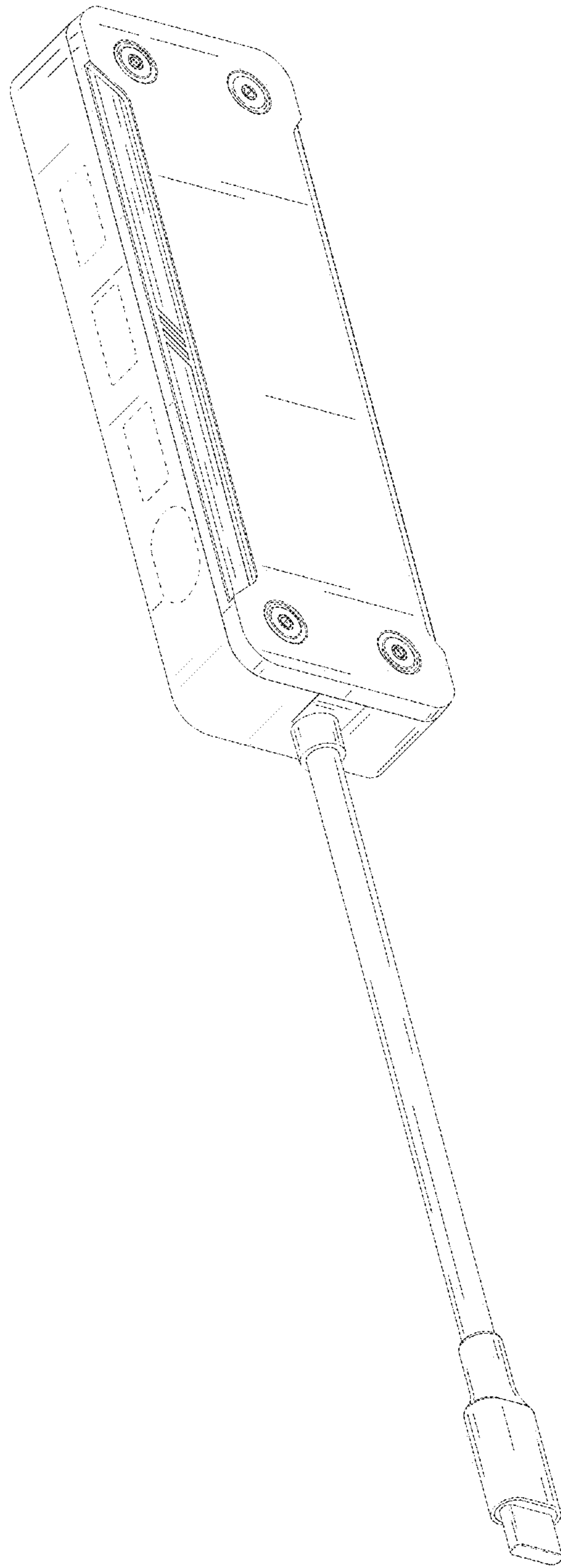


FIG. 1

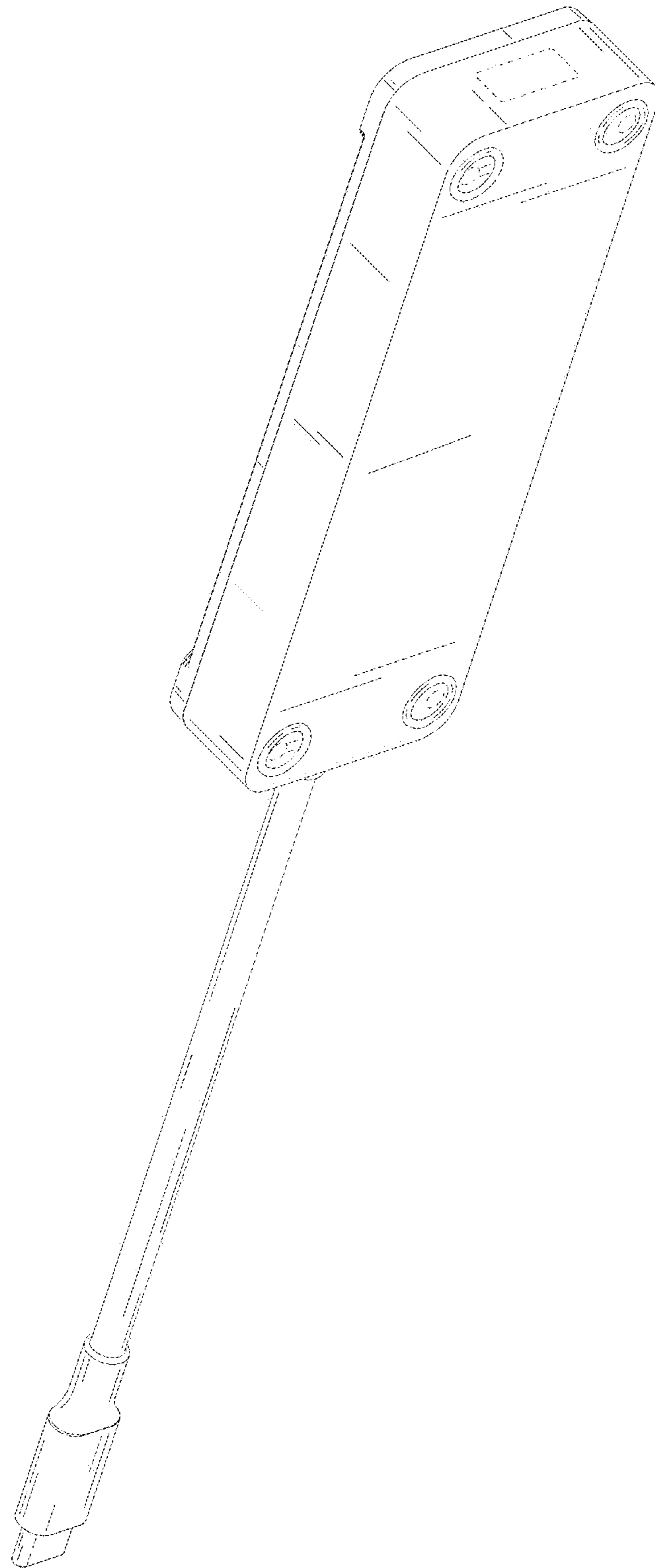


FIG. 2

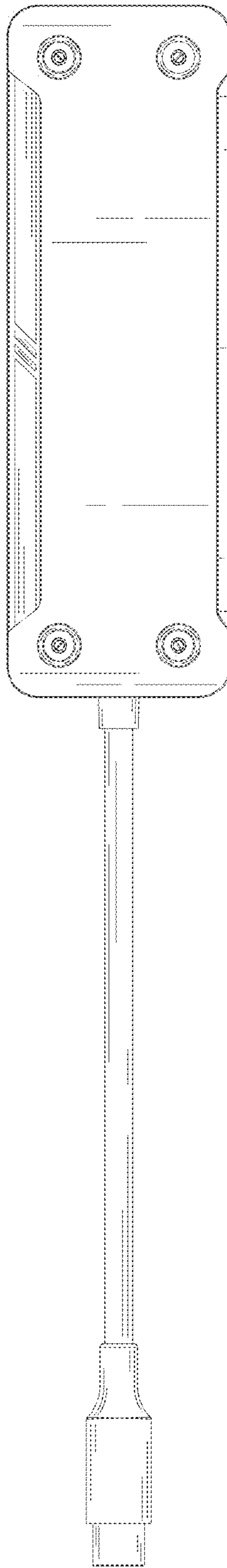


FIG. 3

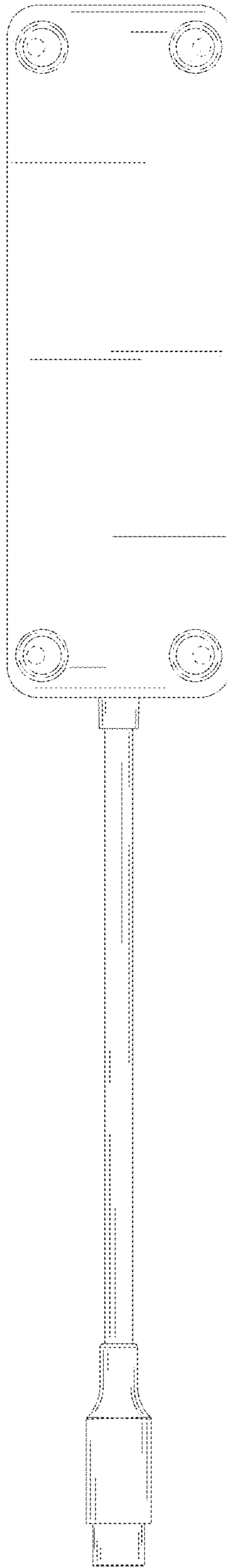


FIG. 4

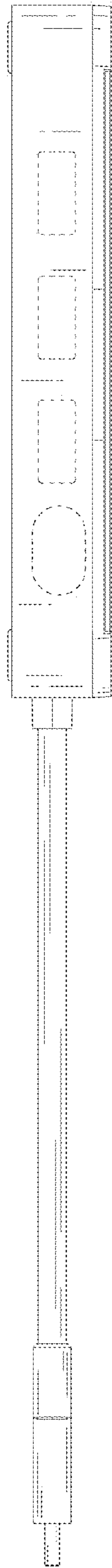


FIG. 5

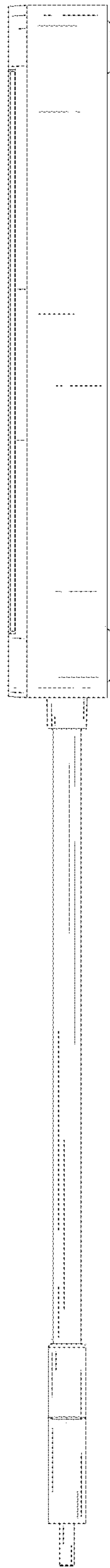


FIG. 6

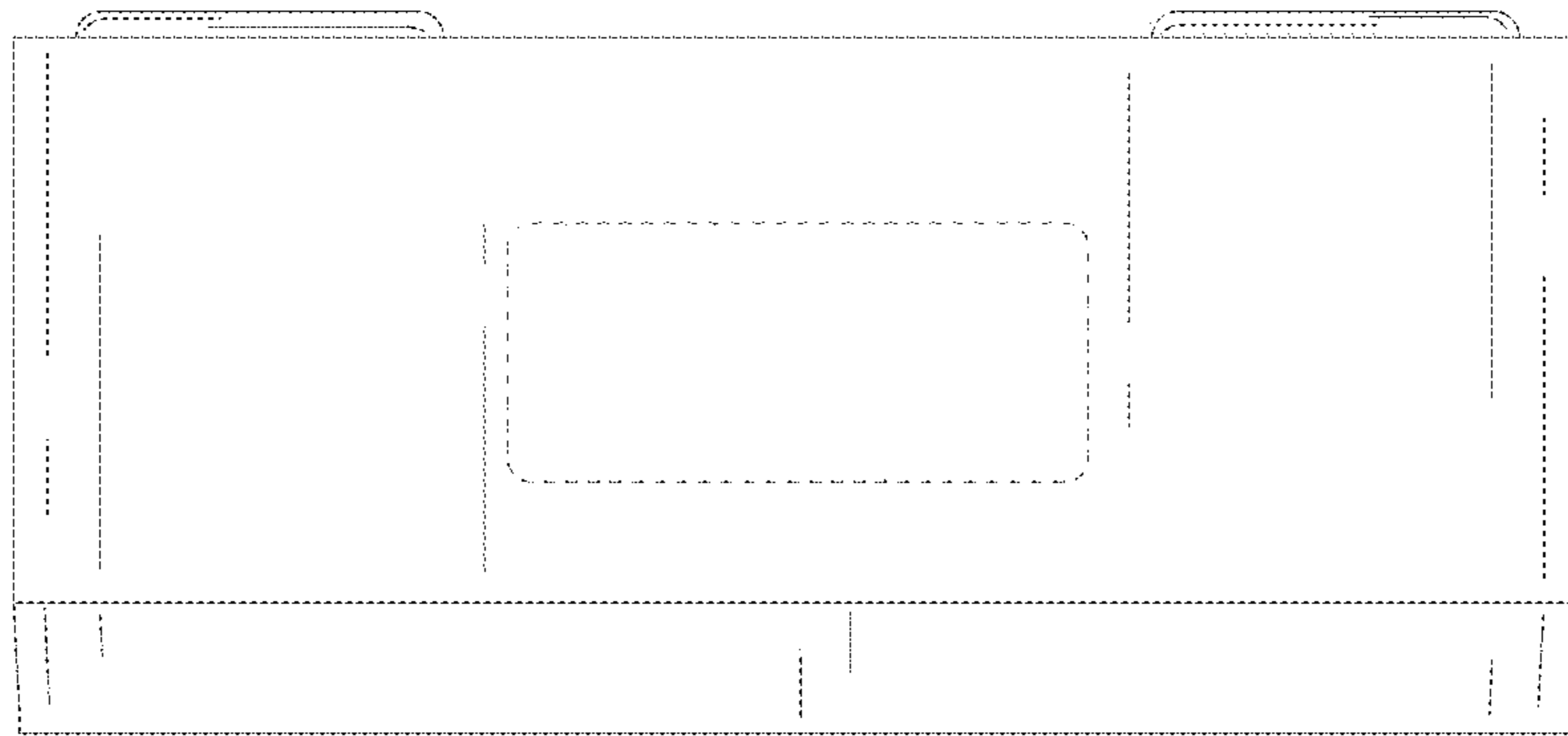


FIG. 7



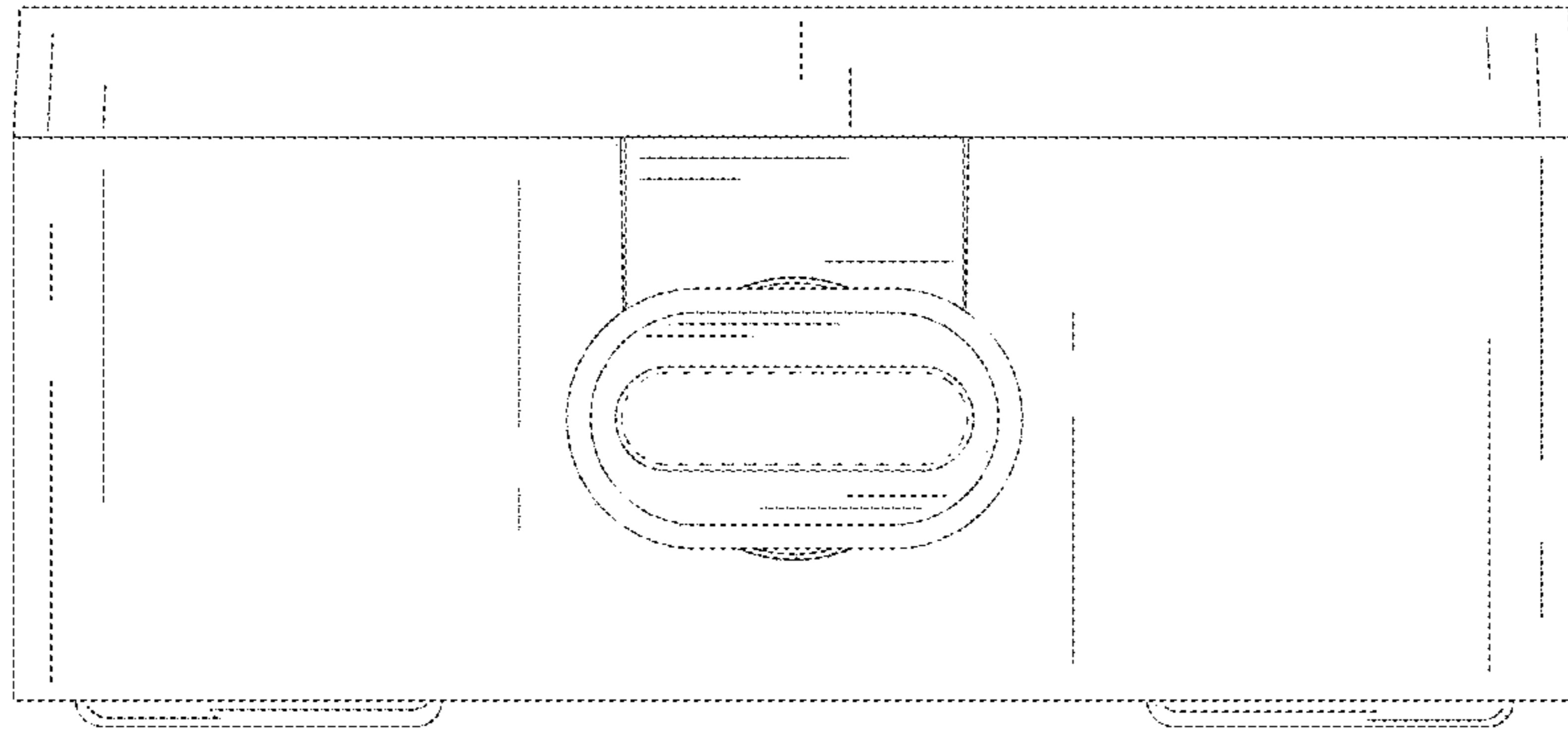


FIG. 8