



US00D986891S

(12) **United States Design Patent** (10) **Patent No.:** **US D986,891 S**
Cronin et al. (45) **Date of Patent:** **** May 23, 2023**

(54) **COMBINATION MULTI-WAY PHONE CORD ADAPTER AND EXTENDER**

(71) Applicants: **John Joseph Cronin**, Chicago, IL (US); **Kimberly Ann Cronin**, Chicago, IL (US)

(72) Inventors: **John Joseph Cronin**, Chicago, IL (US); **Kimberly Ann Cronin**, Chicago, IL (US)

(**) Term: **15 Years**

(21) Appl. No.: **29/845,540**

(22) Filed: **Jul. 8, 2022**

(51) **LOC (14) Cl.** **14-02**

(52) **U.S. Cl.**
USPC **D14/433**

(58) **Field of Classification Search**
USPC 361/683, 684, 686, 724, 735, 737, 752; D18/40; D13/103, 110, 123, 133, 146, D13/147, 159, 160, 162, 164, 184, 199, D13/139.8, 153; D14/125, 168, 240, 242, D14/356, 358, 363, 365, 366, 367, 370, D14/432, 434, 435, 435.1, 436, 437, 439, D14/496, 498, 433
CPC H01R 25/006; H01R 27/02; H01R 31/005; G06F 13/4022; G06F 13/328; G06F 1/1632; G06F 1/1684; G06F 1/20; G06F 1/1607
See application file for complete search history.

(56) **References Cited**

U.S. PATENT DOCUMENTS

2,673,969 A * 3/1954 Pfister H01R 25/006 439/653
D540,257 S * 4/2007 Ivanova D13/137.2
D639,742 S * 6/2011 Doucet D13/139.8
D718,715 S * 12/2014 Si D13/110
D740,756 S 10/2015 Katagiyama et al.

D744,955 S 12/2015 Katagiyama et al.
D807,298 S * 1/2018 Xu D13/139.8
D852,798 S * 7/2019 Biddle D14/433
D864,206 S * 10/2019 Wang D14/433
D865,693 S 11/2019 Xiang
D871,343 S * 12/2019 Yu D13/139.8
D877,084 S 3/2020 Buck et al.
D878,299 S * 3/2020 Lyu D13/139.8
D881,814 S 4/2020 Watanabe et al.
D881,820 S * 4/2020 Li D13/139.8
D884,648 S 5/2020 Kim et al.
D885,345 S * 5/2020 Chen D13/139.8
D894,839 S * 9/2020 Chen D13/139.7
D905,643 S * 12/2020 Wu D13/137.2
D947,131 S * 3/2022 Mao D13/139.8
D953,335 S * 5/2022 Zhang D14/433
D954,652 S * 6/2022 Chen D13/137.2
D964,941 S * 9/2022 Chen D13/139.8
D971,851 S * 12/2022 Wang D13/139.8
2014/0307376 A1 * 10/2014 Lee G06F 1/1632 361/679.4

* cited by examiner

Primary Examiner — Carla J Wright

(74) *Attorney, Agent, or Firm* — Lesley A. Wallerstein, LLC

(57) **CLAIM**

The ornamental design for a combination multi-way phone cord adapter and extender, as shown and described.

DESCRIPTION

FIG. 1 is a front, left, top perspective view of a combination multi-way phone cord adapter and extender.

FIG. 2 is a rear, left, top perspective view thereof.

FIG. 3 is a front view thereof.

FIG. 4 is a right view thereof.

FIG. 5 is a rear view thereof.

FIG. 6 is a left view thereof.

FIG. 7 is a top view thereof; and,

FIG. 8 is a bottom view thereof.

1 Claim, 4 Drawing Sheets

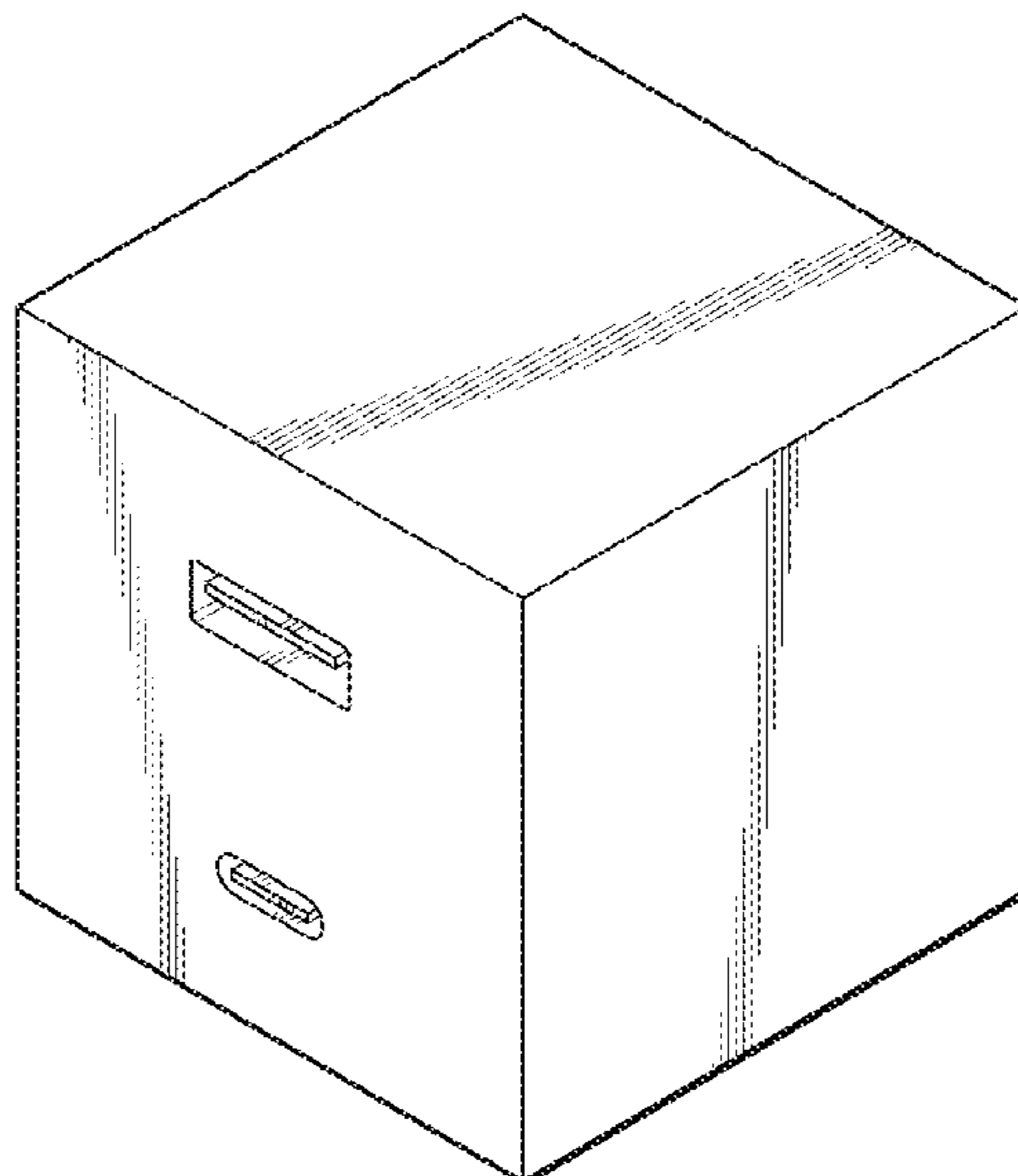


FIG. 1

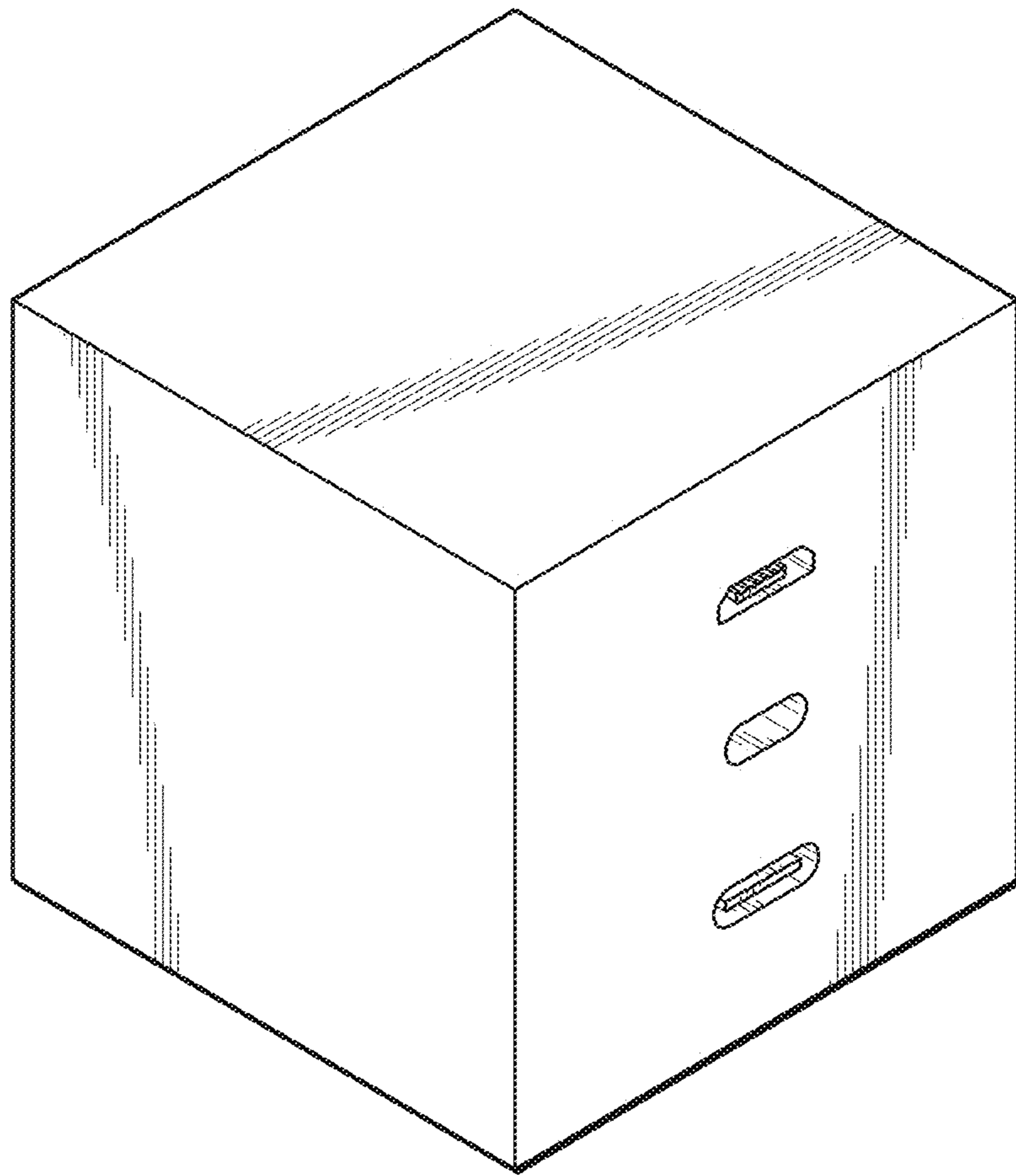


FIG. 2

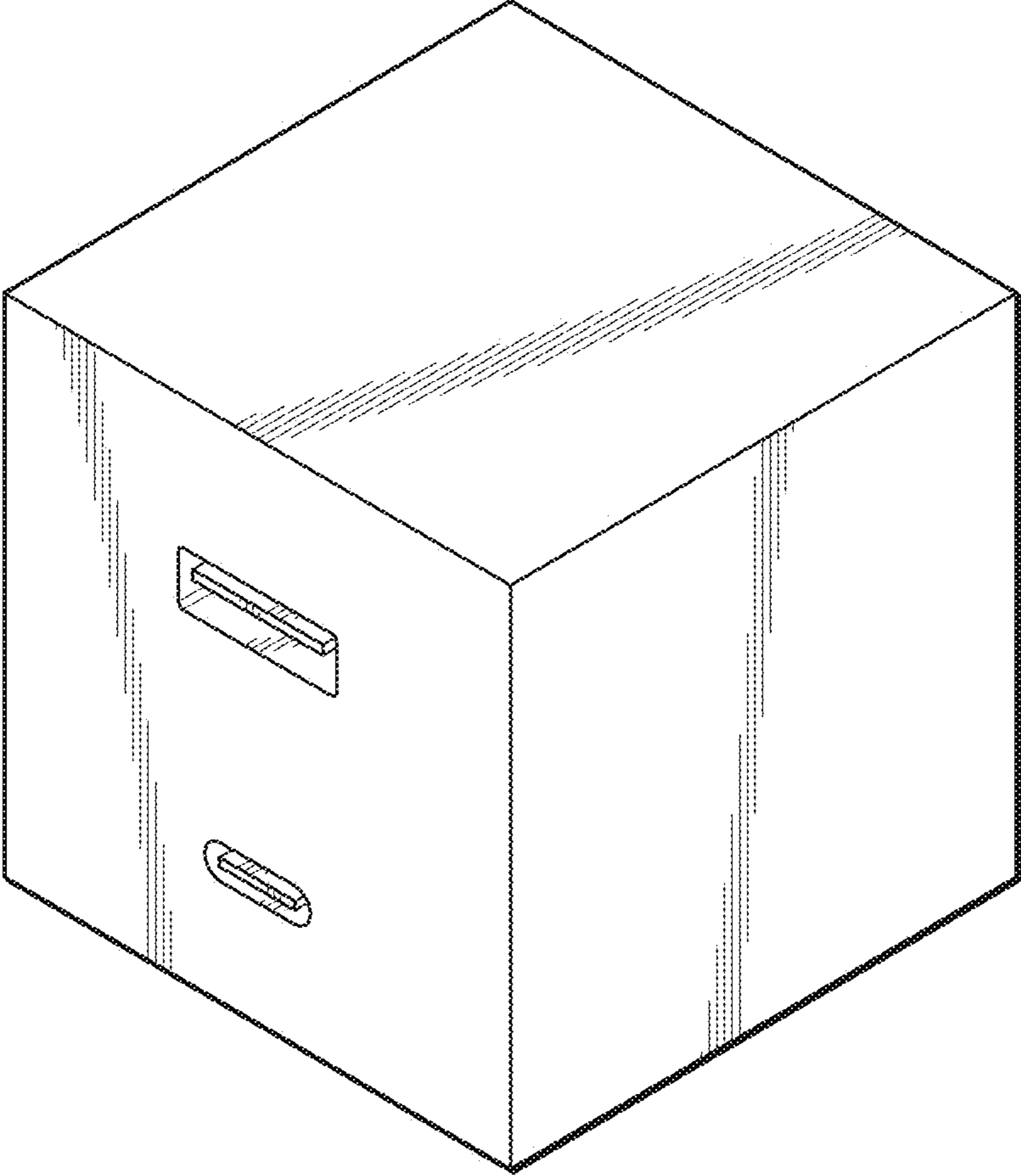


FIG. 3

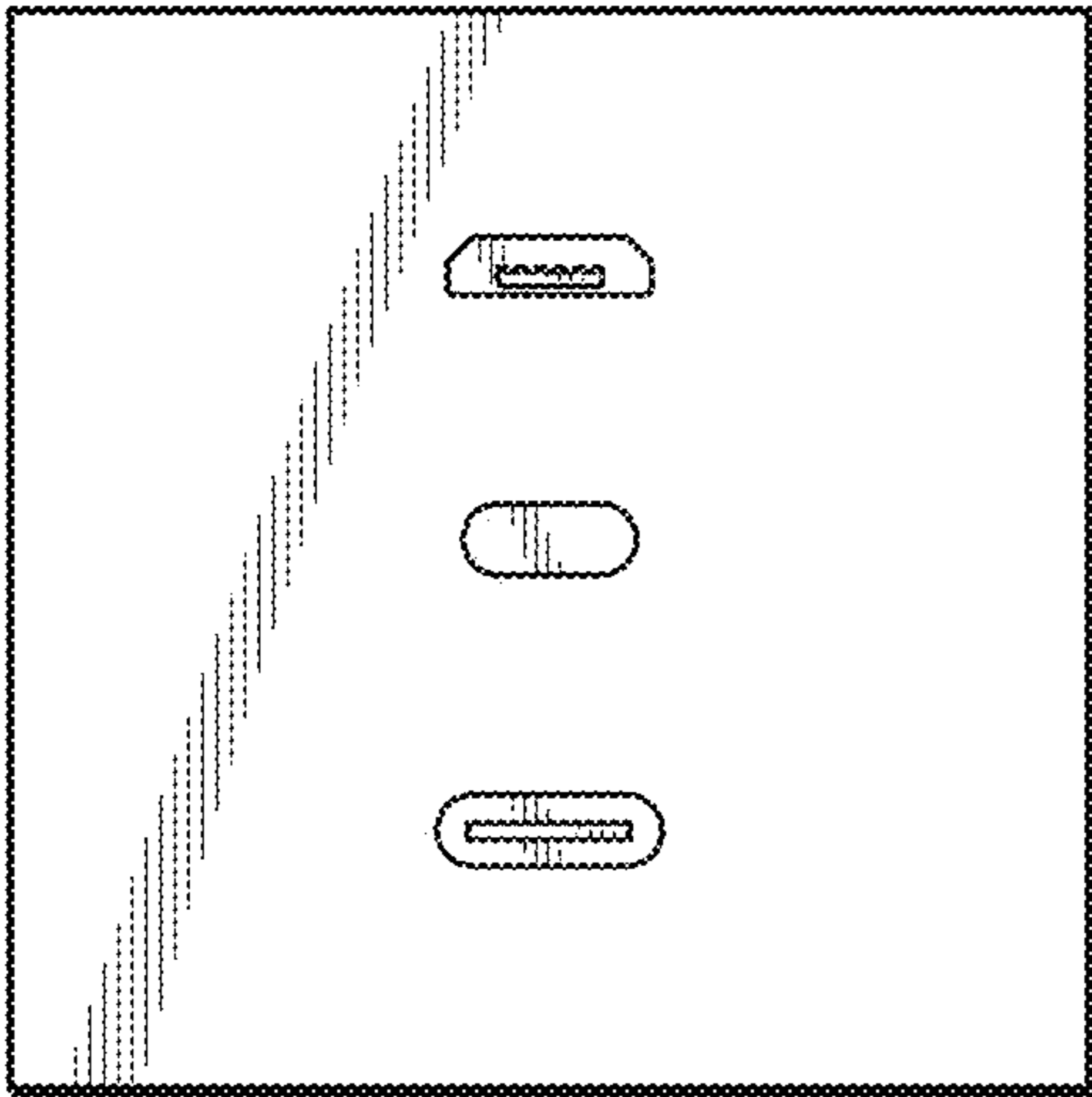


FIG. 4

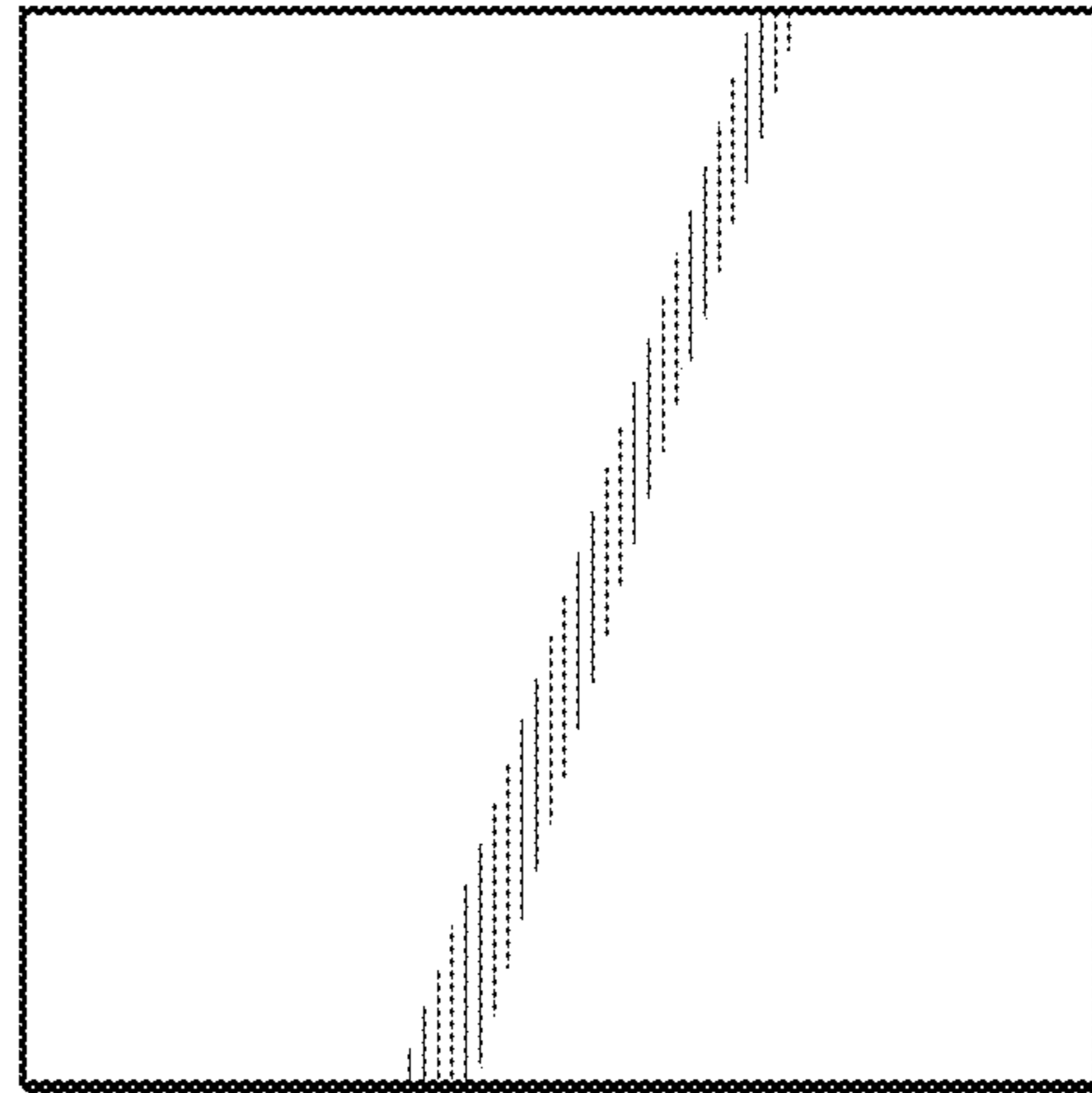


FIG. 5

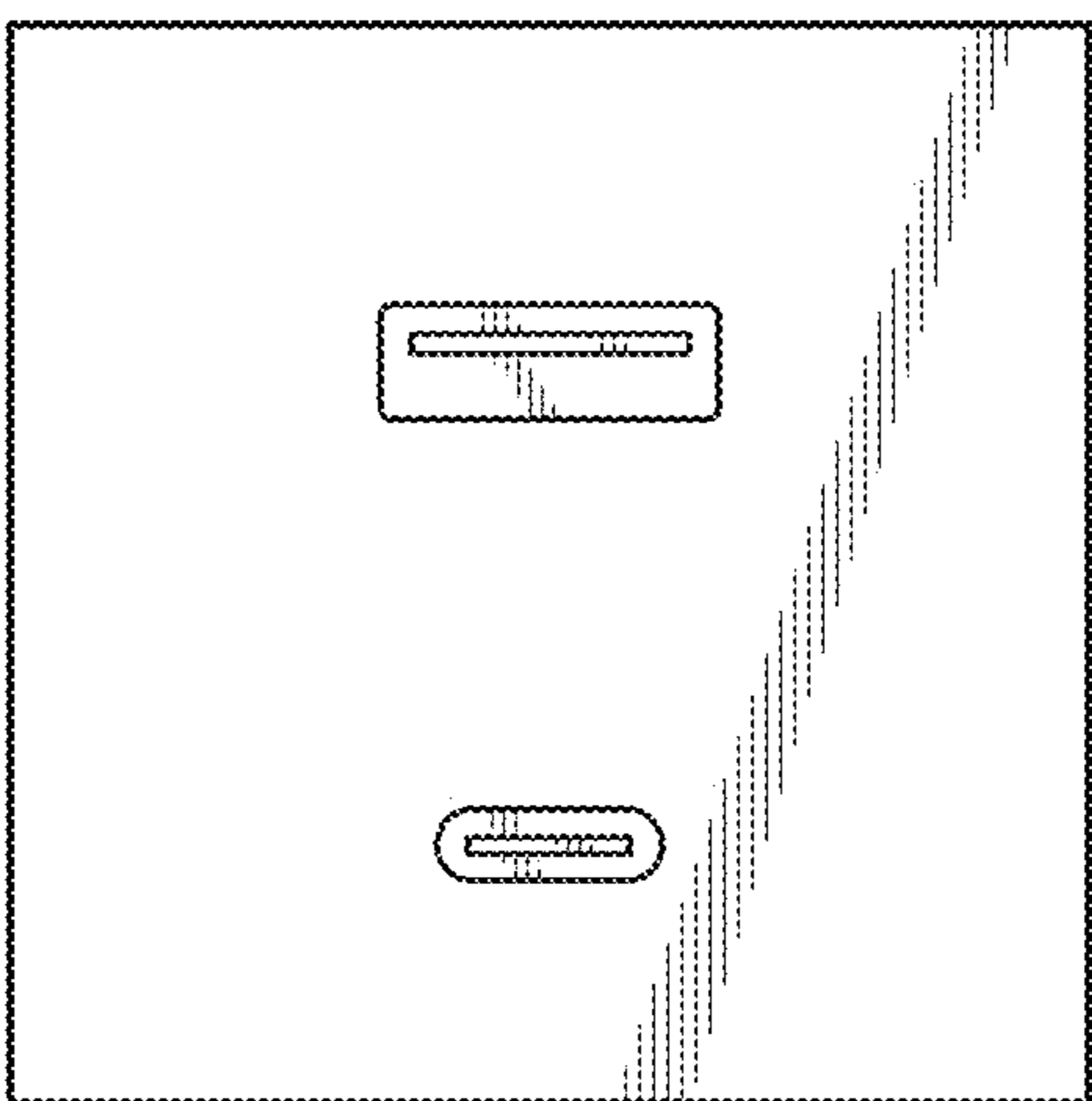


FIG. 6

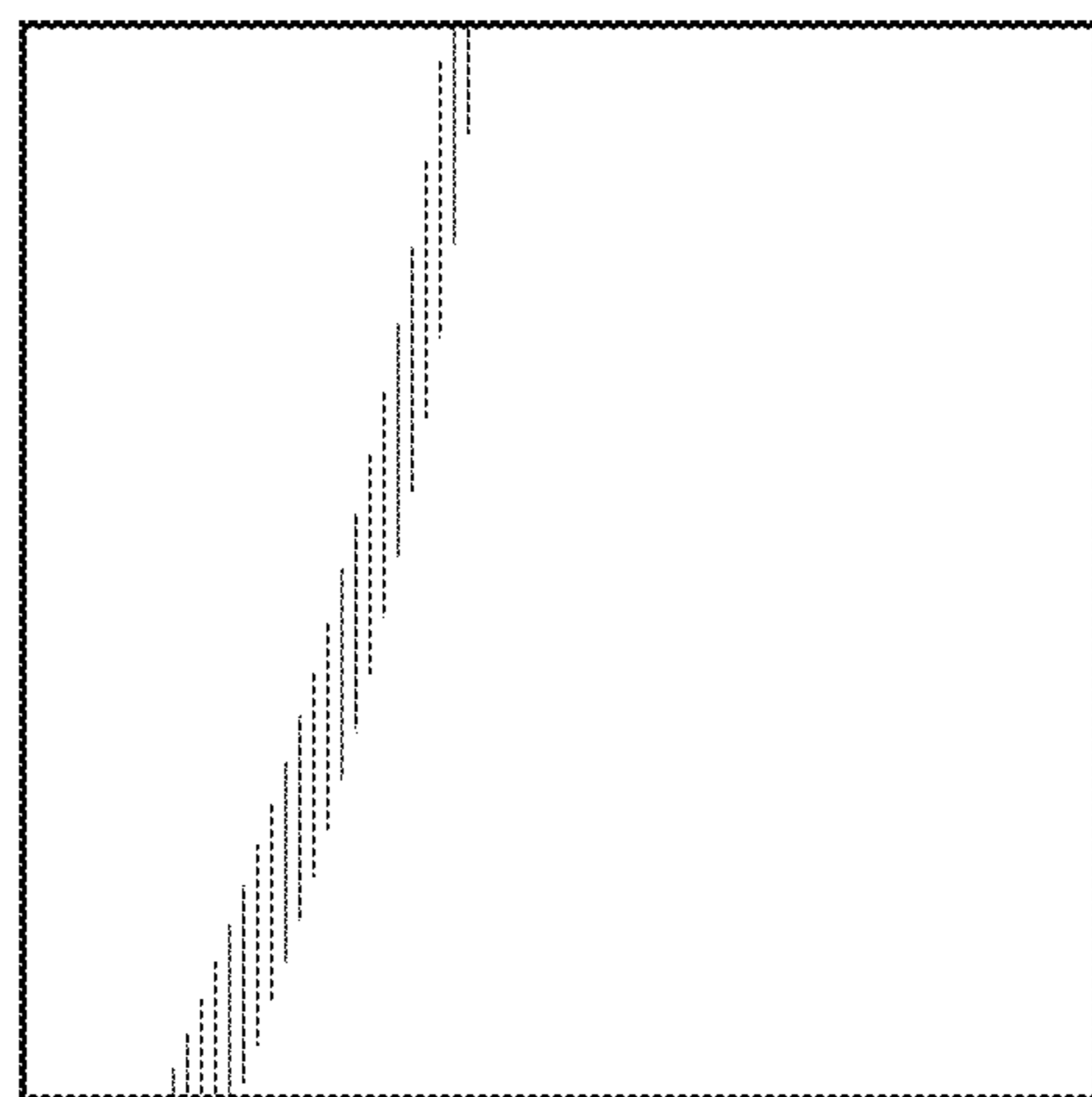


FIG. 7

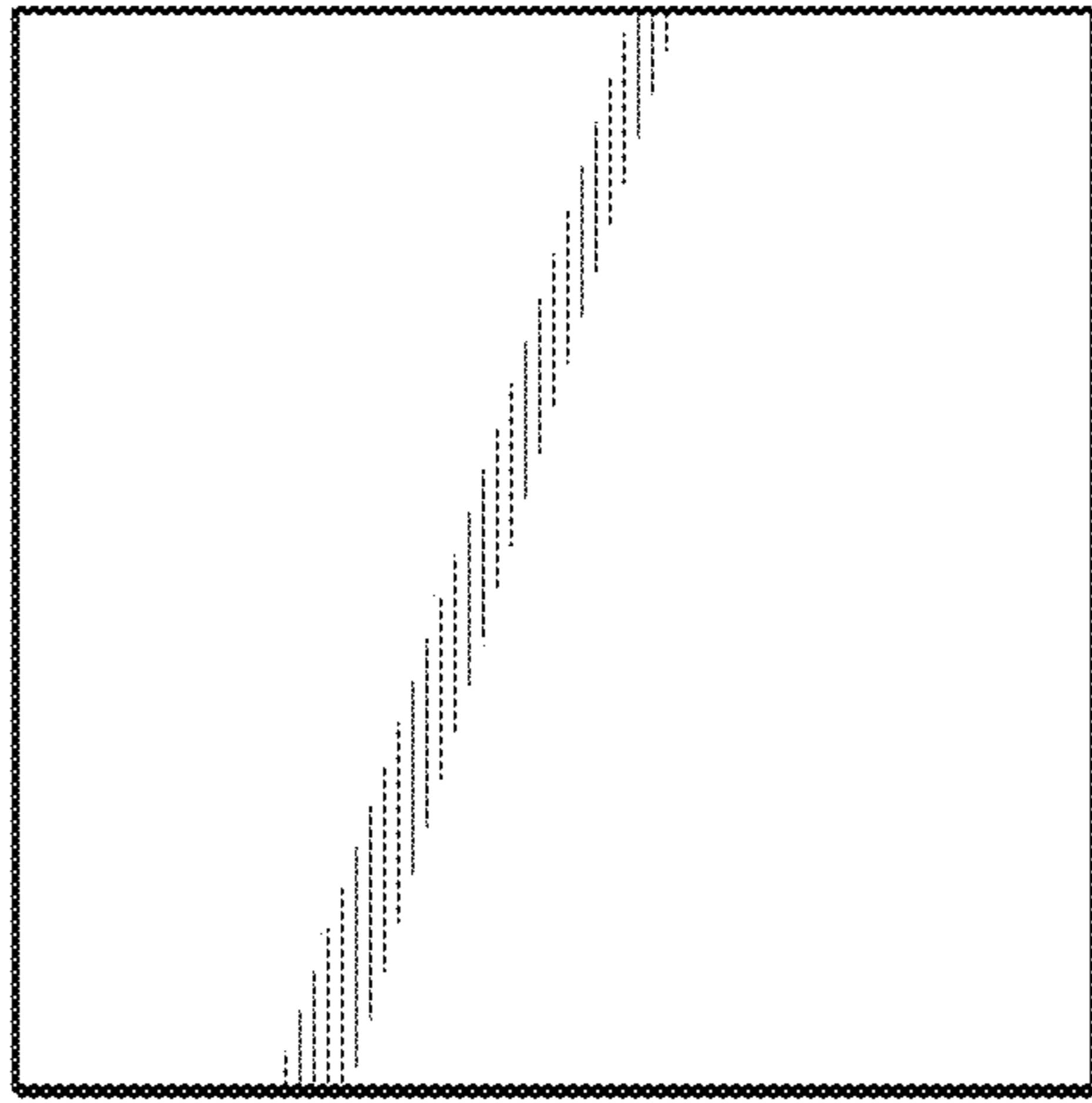


FIG. 8

