



US00D986890S

(12) **United States Design Patent**
Zhang

(10) **Patent No.:** **US D986,890 S**
(45) **Date of Patent:** **** May 23, 2023**

(54) **DATA CABLE COMPONENT**
(71) Applicant: **DongGuan Aikede Electronic Technology Co., Ltd, DongGuan (CN)**
(72) Inventor: **DeHui Zhang, DongGuan (CN)**
(73) Assignee: **DONGGUAN AIKEDE ELECTRONIC TECHNOLOGY CO., LTD, Dongguan (CN)**

D954,059 S * 6/2022 Zhang D14/433
D963,588 S * 9/2022 Seki D13/133
D980,221 S * 3/2023 Cai D14/433
D980,222 S * 3/2023 Cai D14/433

(**) Term: **15 Years**

(21) Appl. No.: **29/814,341**

(22) Filed: **Nov. 5, 2021**

(51) **LOC (14) Cl.** **14-02**

(52) **U.S. Cl.**
USPC **D14/433**

(58) **Field of Classification Search**
USPC D14/356, 432-434, 453, 454, 511, 203.8,
D14/209.1, 238.1, 240, 125; 439/638,
439/928, 105, 502; 710/303, 304;
361/679.41, 679.55, 679.56; D13/110,
D13/133, 146

CPC H01R 24/64; H01R 24/62; H01R 12/714;
H01R 13/506; H01R 13/6658
See application file for complete search history.

(56) **References Cited**

U.S. PATENT DOCUMENTS

D733,142 S * 6/2015 Solomon D14/433
D901,506 S 11/2020 He
D912,675 S * 3/2021 Kim D13/153
D931,858 S * 9/2021 Zhang D14/433
D948,513 S * 4/2022 Li D13/153

FOREIGN PATENT DOCUMENTS

CN 306106248 S 10/2020
CN 306786569 S 8/2021

* cited by examiner

Primary Examiner — Austin Murphy

(74) *Attorney, Agent, or Firm* — Andrew C. Cheng

(57) **CLAIM**

I claim the ornamental design for a data cable component, as shown and described.

DESCRIPTION

FIG. 1 is a perspective view of a data cable component showing my new design.

FIG. 2 is a second perspective view of FIG. 1, viewed in another aspect.

FIG. 3 is a front view thereof.

FIG. 4 is a back view thereof.

FIG. 5 is a left view thereof.

FIG. 6 is a right view thereof.

FIG. 7 is a top view thereof.

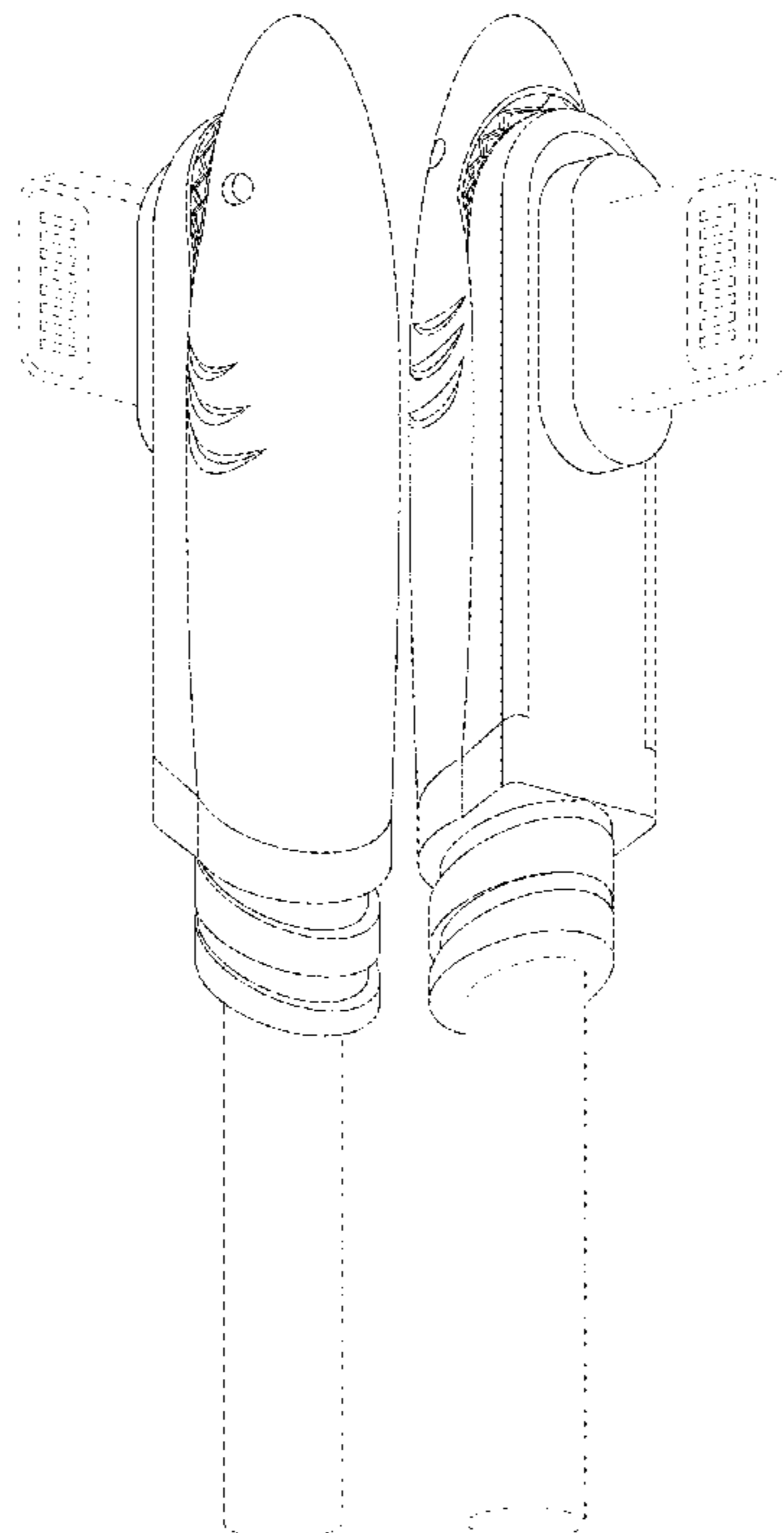
FIG. 8 is a bottom view thereof.

FIG. 9 is a perspective reference view thereof in an environment in which it may be used; and,

FIG. 10 is another perspective reference view thereof in an environment in which it may be used.

The broken lines in the drawings depict portions of the data cable component that form no part of the claimed design.

1 Claim, 10 Drawing Sheets



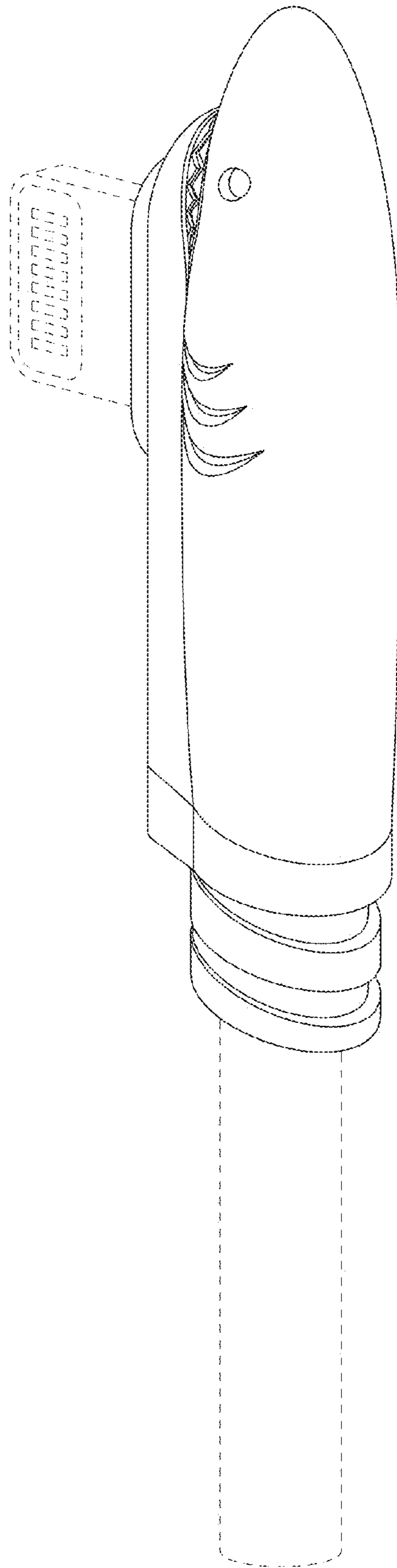


FIG. 1

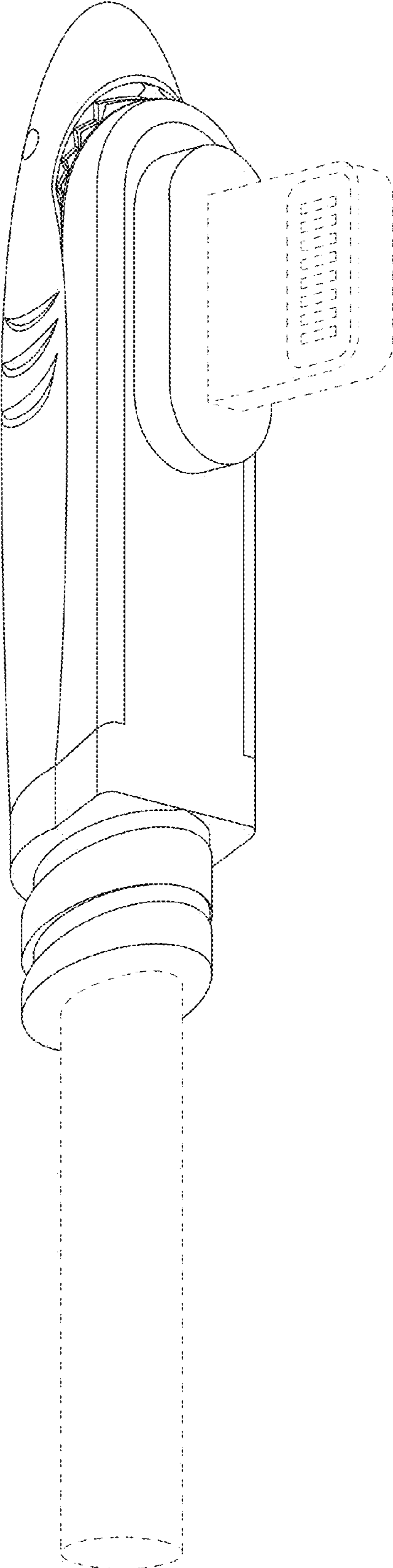


FIG. 2

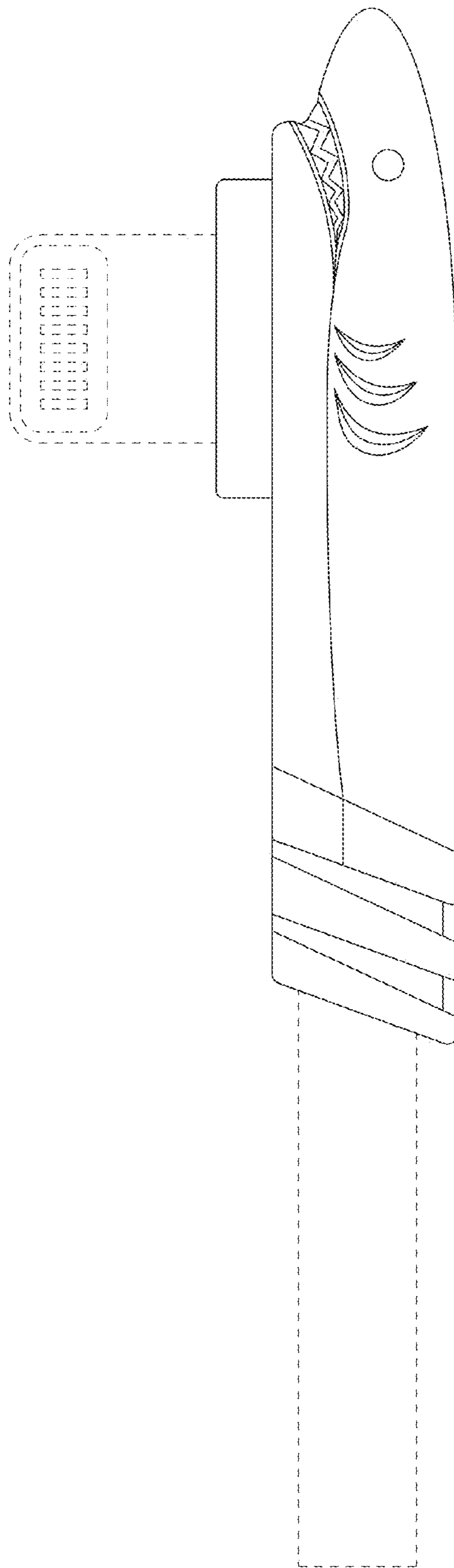


FIG. 3

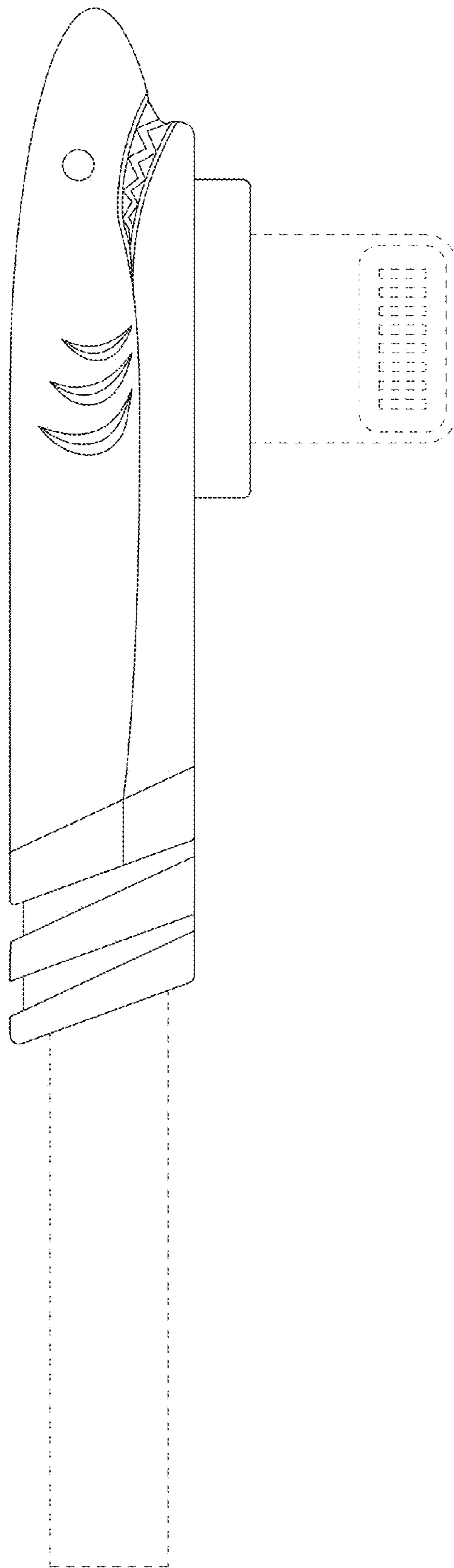


FIG. 4

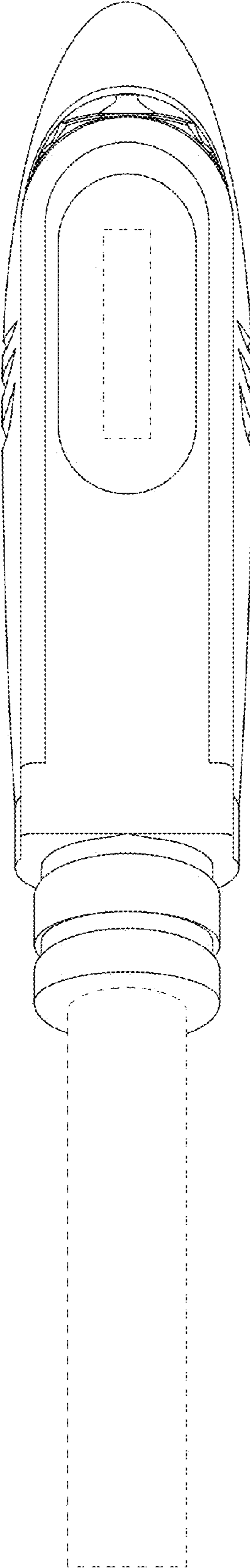


FIG. 5

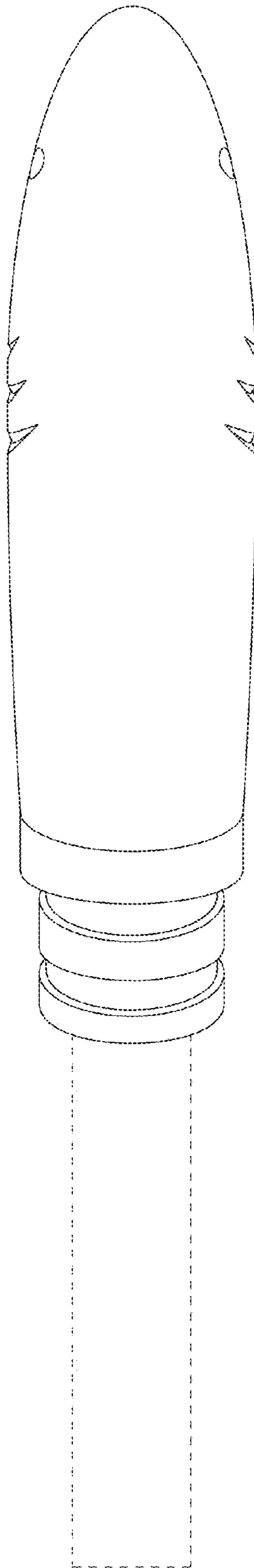


FIG. 6

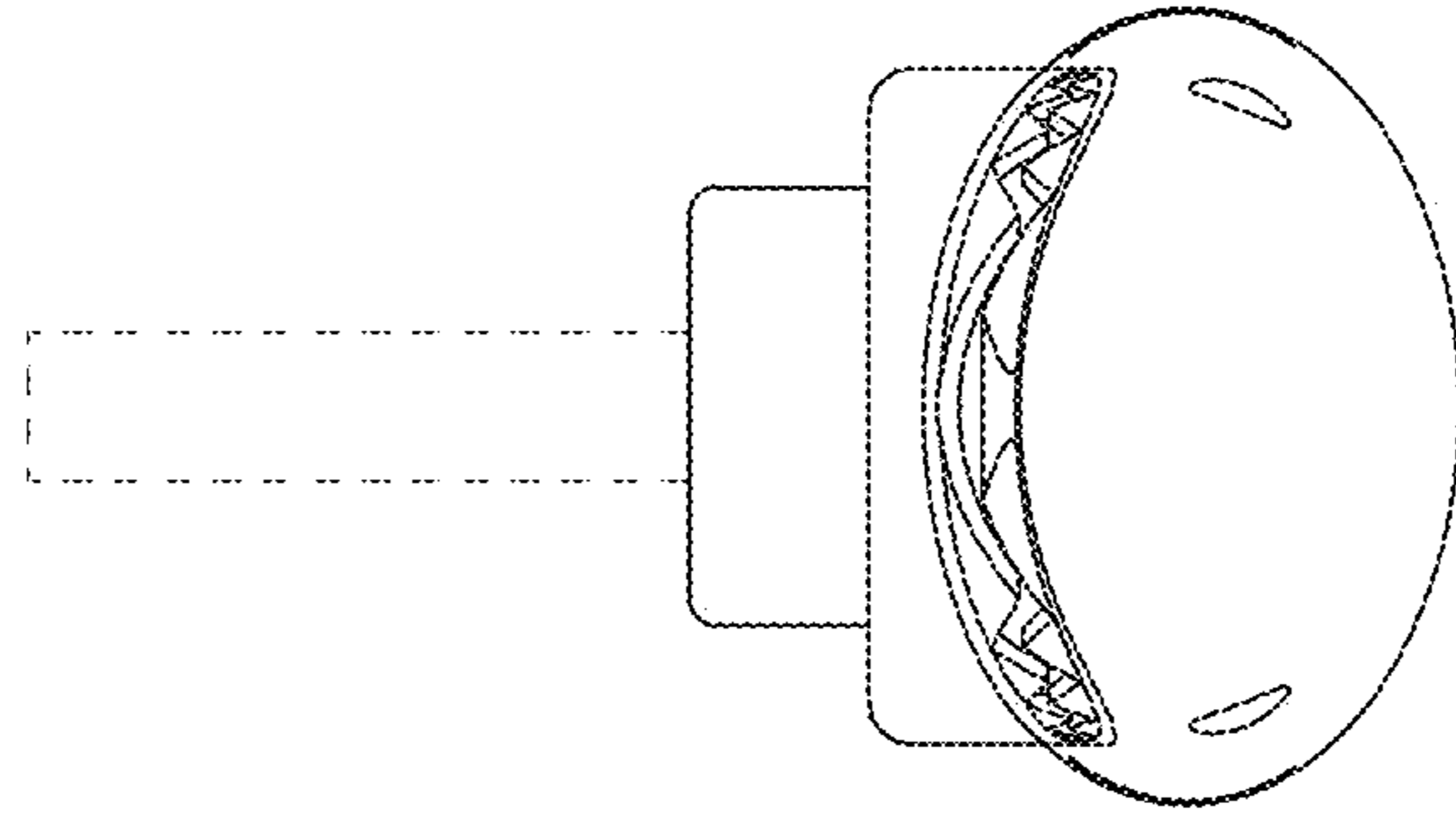


FIG. 7

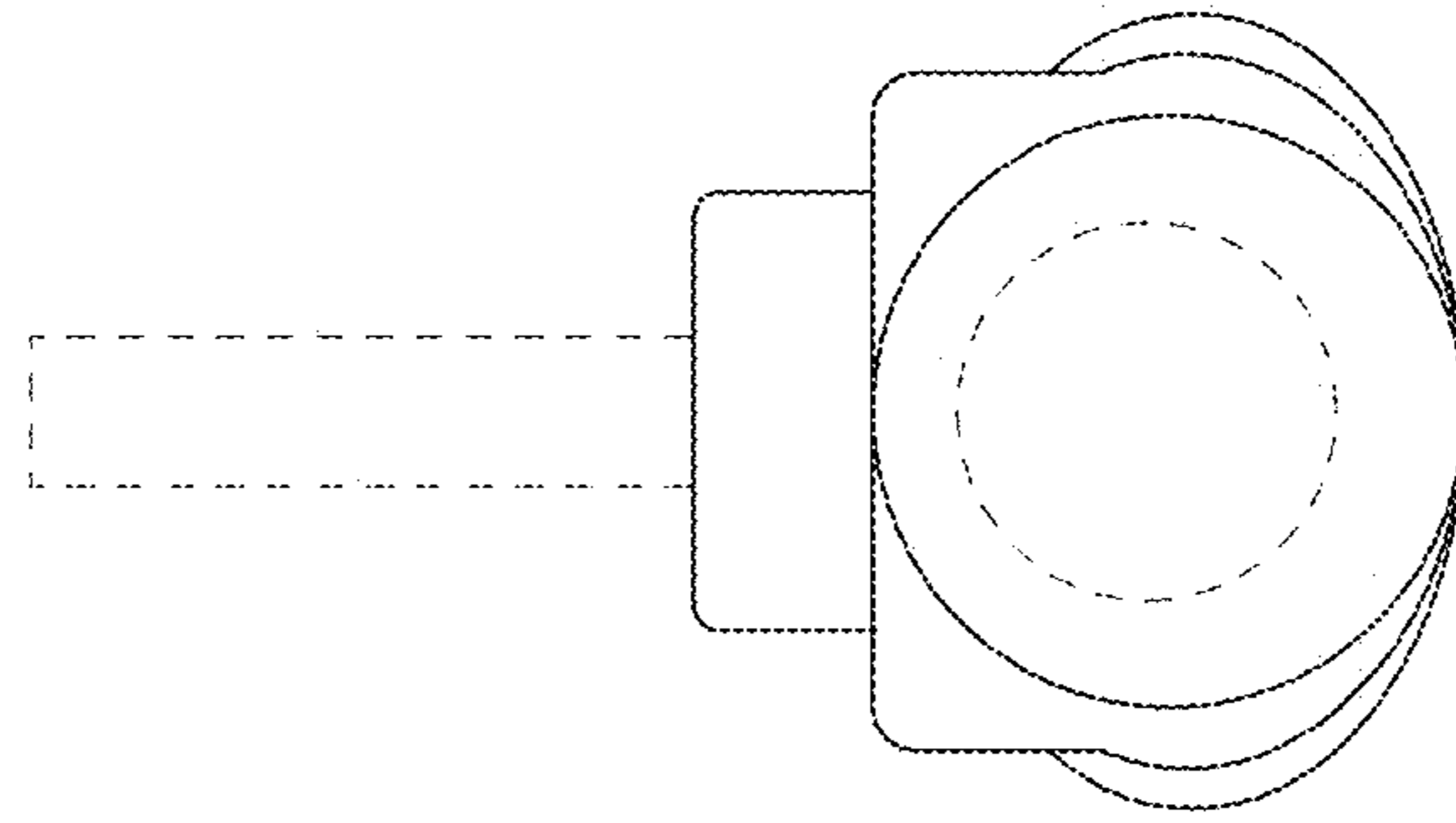


FIG. 8

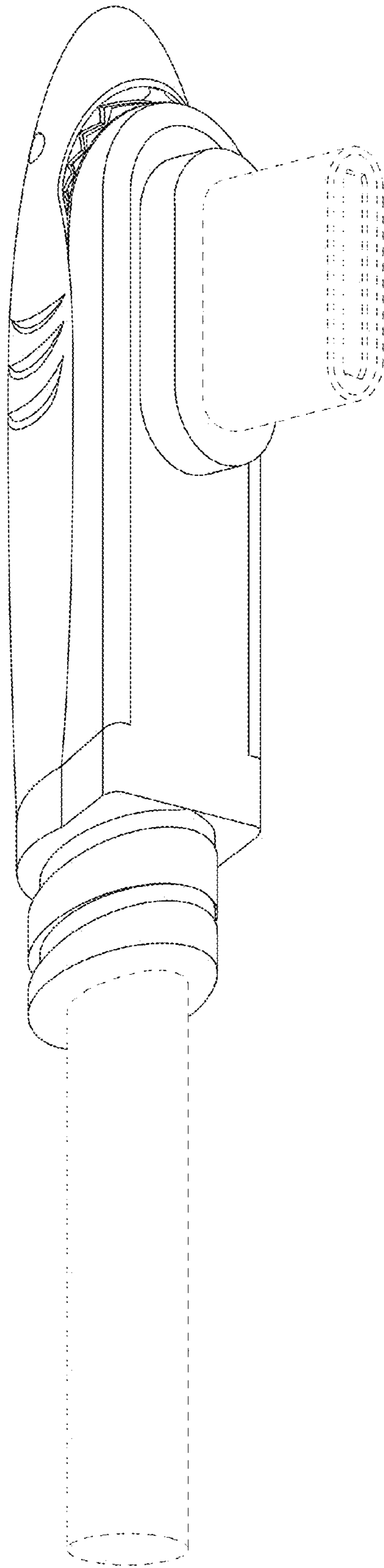


FIG. 9

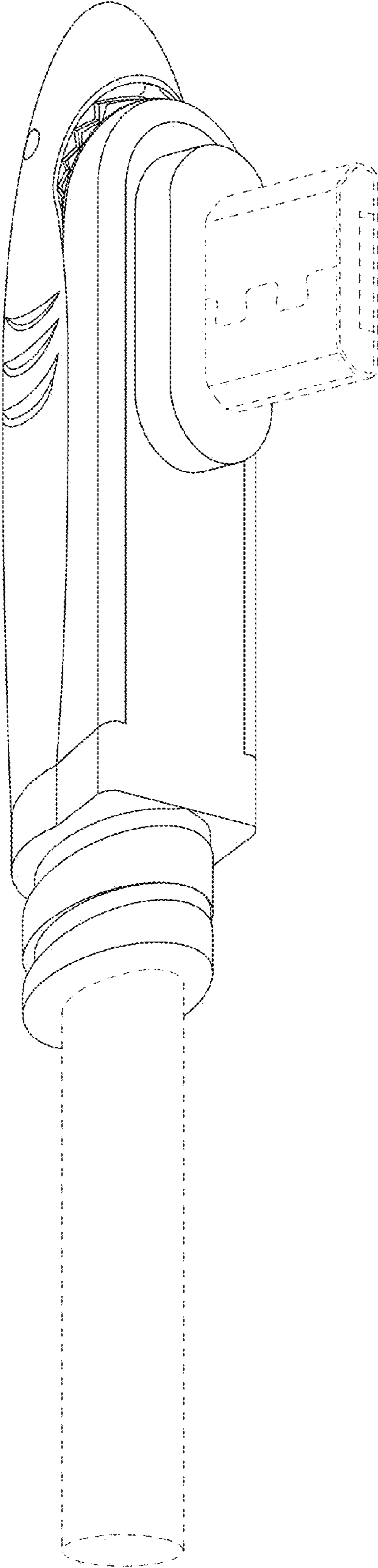


FIG. 10