



US00D986889S

(12) **United States Design Patent**  
**Zhu**

(10) **Patent No.:** **US D986,889 S**  
(45) **Date of Patent:** **\*\* May 23, 2023**

(54) **HANDHELD SCANNER**

(71) Applicant: **ADM TECH LLC**, Monterey Park, CA (US)

(72) Inventor: **Yuhan Zhu**, Monterey Park, CA (US)

(\*\*) Term: **15 Years**

(21) Appl. No.: **29/884,460**

(22) Filed: **Feb. 12, 2023**

(51) **LOC (14) Cl.** ..... **14-02**

(52) **U.S. Cl.**  
USPC ..... **D14/428**

(58) **Field of Classification Search**  
USPC ..... D14/420, 426–430, 453, 346, 341, 347, D14/412, 138; D13/107, 184; 358/473; 235/462.43, 462.45, 462.47, 462.48, 235/462.44, 462.46, 487, 472.01, 472.02, 235/145 A, 145 R, 462.21, 462.42, 462.1, 235/462.35; D10/78, 70; 324/426; D3/273; 710/73; D18/7; 361/679, 728, 361/679.56; 382/313, 312, 276, 285–295, 382/314–325; 455/575.1, 561, 572; 345/156, 168, 169, 172, 173, 87; 705/17, 705/18, 22–25; D26/45–51; D24/185; D8/68; 348/47, 49, E13.074; 702/85, 94, 702/95, 127, 150–168, 189; 356/601–613, 625–640, 2

CPC ..... G06F 1/626; G06F 1/1626; G06F 1/1656; G06F 1/1632; G06F 1/1684; G06F 1/1635; G06F 8/63; G06F 17/30091; G06F 9/4401; G06K 7/10881; G06K 7/1098; G06K 7/10722; G06K 7/1404; G06K 7/0004; G06K 7/10633; G06K 7/10693; G06K 7/10544; G06K 7/10732; G06K 7/14; G06K 7/1413; G06K 7/10831; G06K 7/10851; G06K 7/1091; G06K 7/1092; G06K 7/1093; G06K 7/10; G06K 7/109; G06K 7/1417; G06K 9/228; G06K 17/0022; G06K 17/00; G06K 2207/1011; G06K 2207/1013; G06K 2207/1016; G06K 2207/1018; G06K

2017/0051; G06K 2017/0067; G06K 2007/10524; G06K 19/06018; G06K 19/06028; G06K 19/06037; G07G 1/0081; G07G 1/009; G06Q 20/20; G06Q 20/201; G06Q 20/202; G06Q 20/203; G06Q 20/30; G06Q 20/32; G06Q 20/322; G06Q 20/4014; G06Q 10/087; H04N 1/00127; H04N 1/00135; H04N 1/00326; H04N 1/00334; H04N 1/00307; H04N 1/107; H04N 2201/0084; H04N 2101/00; H04M 1/0249; H04M 1/0262; H04M 1/0266; H04M 1/18; H04M 1/23; H04M 1/236; H04B 1/3827;

(Continued)

(56) **References Cited**

U.S. PATENT DOCUMENTS

D558,206 S 12/2007 Watanabe  
8,016,199 B2 \* 9/2011 Nunnink ..... G06K 7/10732  
235/462.35

(Continued)

*Primary Examiner* — Susan Moon Lee

(57) **CLAIM**

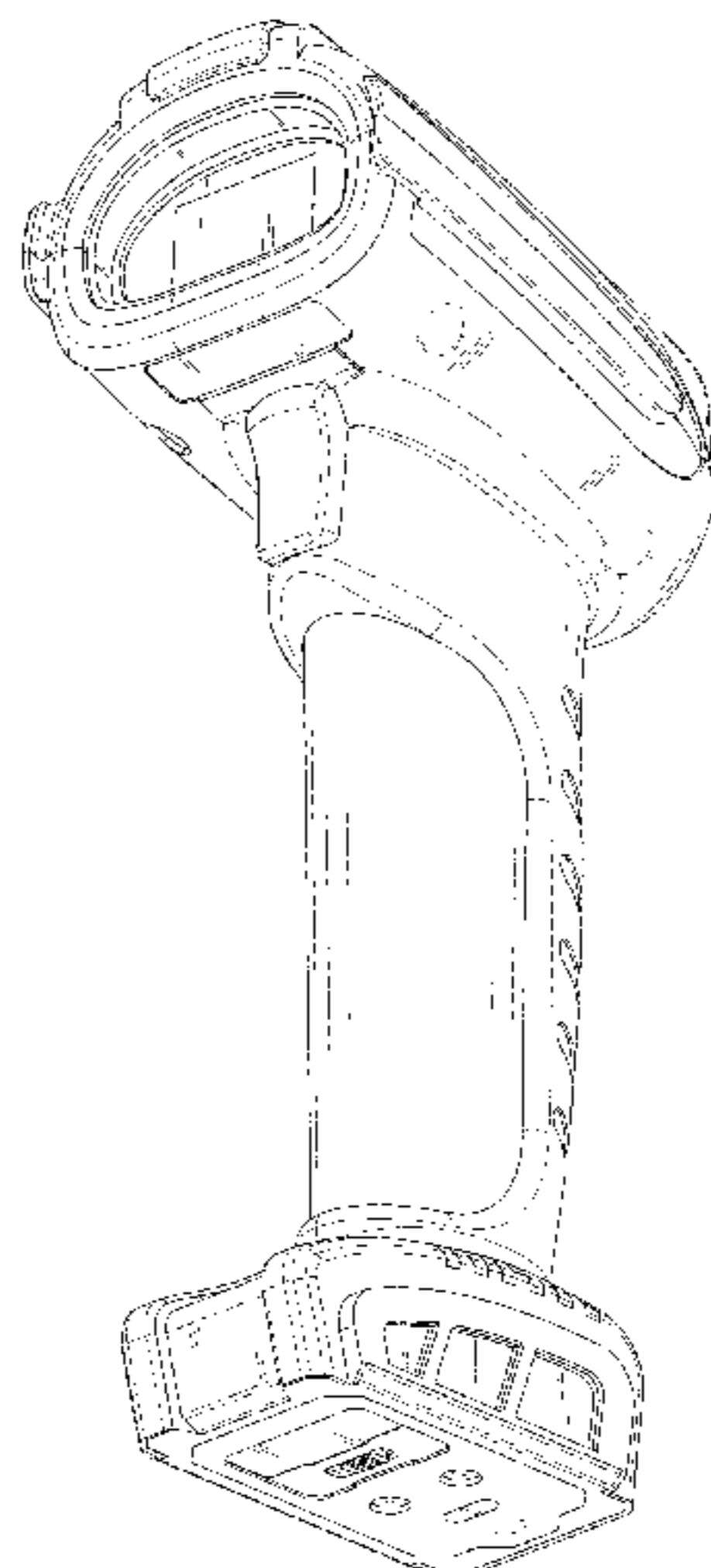
The ornamental design for a handheld scanner, as shown and described.

**DESCRIPTION**

FIG. 1 is a front, right, and bottom perspective view of a handheld scanner, showing my new design;  
FIG. 2 is rear, left, and top perspective view thereof;  
FIG. 3 is a front elevational view thereof;  
FIG. 4 is a rear elevational view thereof;  
FIG. 5 is a left elevational view thereof;  
FIG. 6 is a right elevational view thereof;  
FIG. 7 is a top plan view thereof; and,  
FIG. 8 is a bottom plan view thereof.

The broken lines depict portions of the handheld scanner that form no part of the claimed design.

**1 Claim, 8 Drawing Sheets**



(58) **Field of Classification Search**  
 CPC .. H04B 1/3833; H04B 1/3877; H04B 1/3883;  
 H04B 1/3888; H04B 2001/3894; H01M  
 2/1066; G01B 11/2513; G01B 11/25;  
 G01B 11/2518; G01C 11/02; G01C  
 11/025

See application file for complete search history.

(56) **References Cited**

U.S. PATENT DOCUMENTS

8,157,177 B1 \* 4/2012 O'Donnell ..... G06K 7/10386  
 235/472.01  
 8,421,604 B2 \* 4/2013 Bellows ..... H04K 3/86  
 340/12.51  
 D682,277 S \* 5/2013 Tasselli ..... D14/428  
 D702,238 S \* 4/2014 Alegiani ..... D14/428  
 8,835,825 B2 \* 9/2014 Barkan ..... G06K 7/10821  
 235/472.01  
 8,970,823 B2 \* 3/2015 Heidemann ..... G01B 11/2513  
 356/601  
 D730,357 S \* 5/2015 Fitch ..... D14/428  
 D776,887 S \* 1/2017 Deffrennes ..... D32/17  
 D791,137 S 7/2017 Wang et al.  
 D804,482 S \* 12/2017 Jenkins ..... D14/428

D822,027 S \* 7/2018 Jenkins ..... D14/428  
 10,025,966 B1 \* 7/2018 Volta ..... H02J 7/0044  
 D826,234 S 8/2018 Zhou et al.  
 10,140,491 B1 \* 11/2018 Barkan ..... G06K 7/10881  
 D849,746 S \* 5/2019 Sieckowski ..... D14/428  
 D857,018 S 8/2019 Wang et al.  
 D861,692 S 10/2019 Memke et al.  
 D879,099 S 3/2020 Bidwell et al.  
 D900,103 S 10/2020 Bidwell et al.  
 2006/0133089 A1 \* 6/2006 Reid ..... F21L 14/02  
 362/399  
 2010/0308116 A1 \* 12/2010 Sani ..... A45C 11/00  
 248/346.03  
 2011/0290889 A1 \* 12/2011 Tamburrini ..... G06K 7/109  
 235/472.01  
 2014/0168380 A1 \* 6/2014 Heidemann ..... G01B 11/2513  
 348/46  
 2015/0102109 A1 \* 4/2015 Huck ..... G06K 7/109  
 235/462.14  
 2016/0350563 A1 \* 12/2016 Ye ..... G06K 7/1091  
 2017/0134614 A1 \* 5/2017 Gurevich ..... H04N 1/0288  
 2017/0147843 A1 \* 5/2017 Todeschini ..... A61L 2/10  
 2017/0310856 A1 \* 10/2017 Handshaw ..... G03B 17/563  
 2017/0318206 A1 \* 11/2017 Handshaw ..... G01C 3/00  
 2018/0293412 A1 \* 10/2018 Volta ..... H02J 7/00

\* cited by examiner

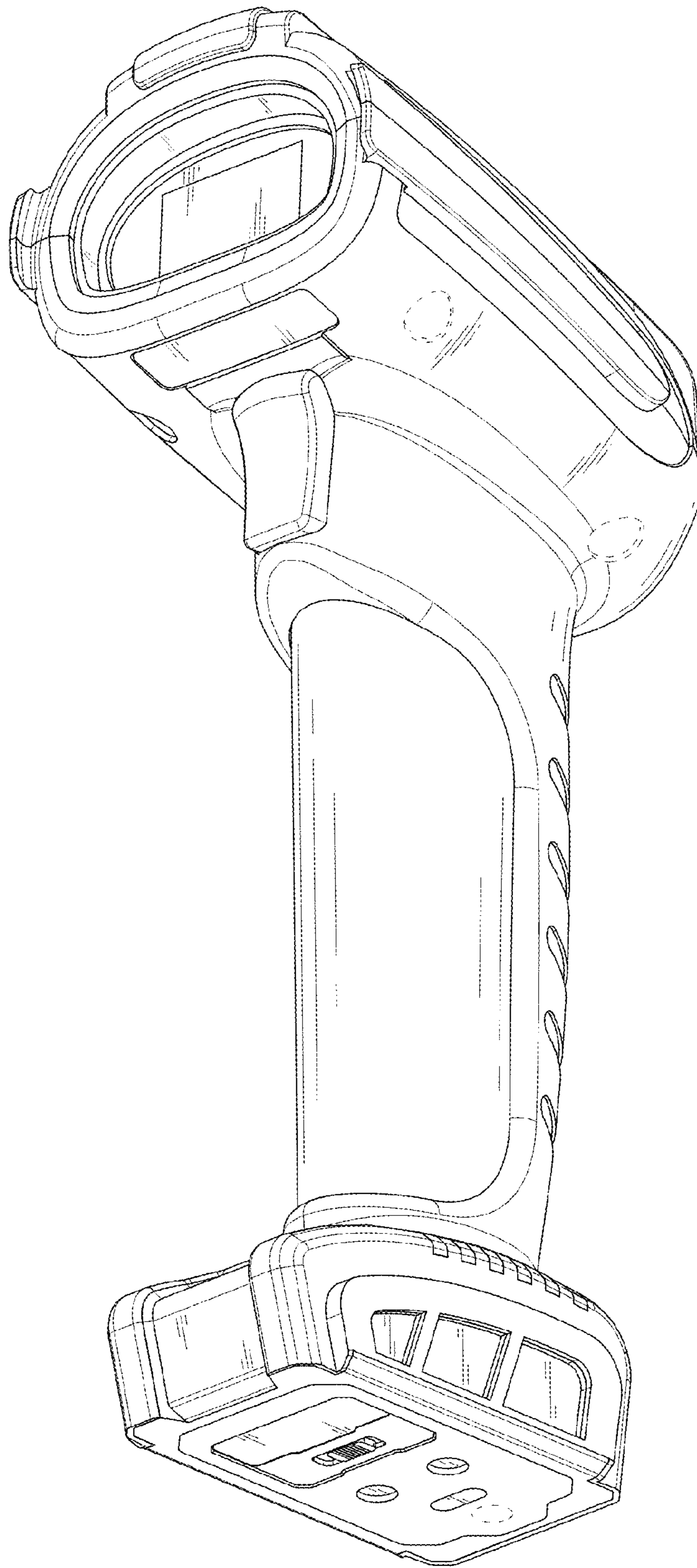


FIG. 1

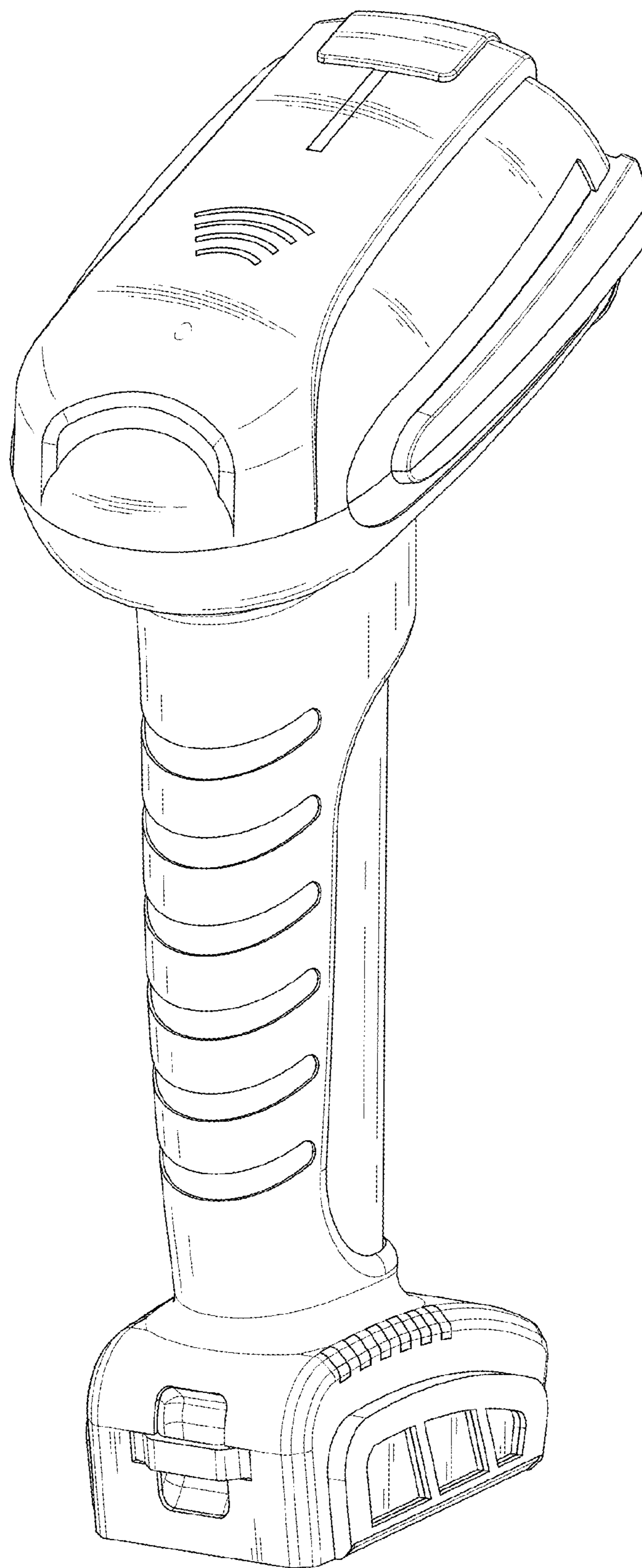


FIG. 2

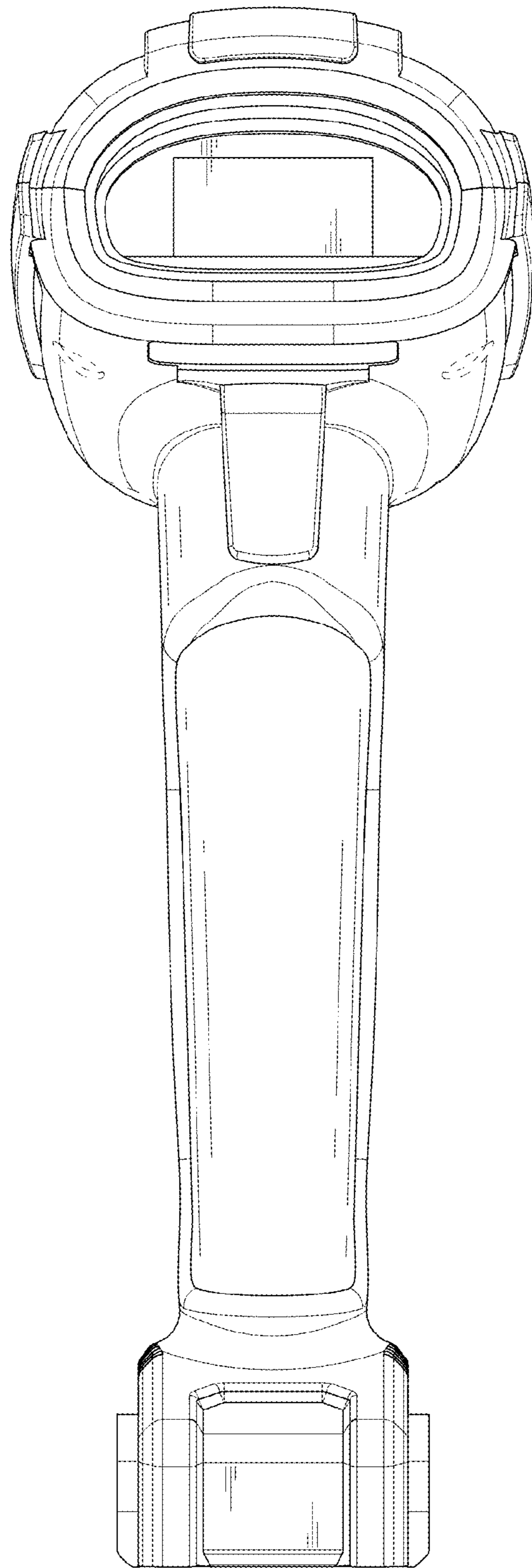


FIG. 3

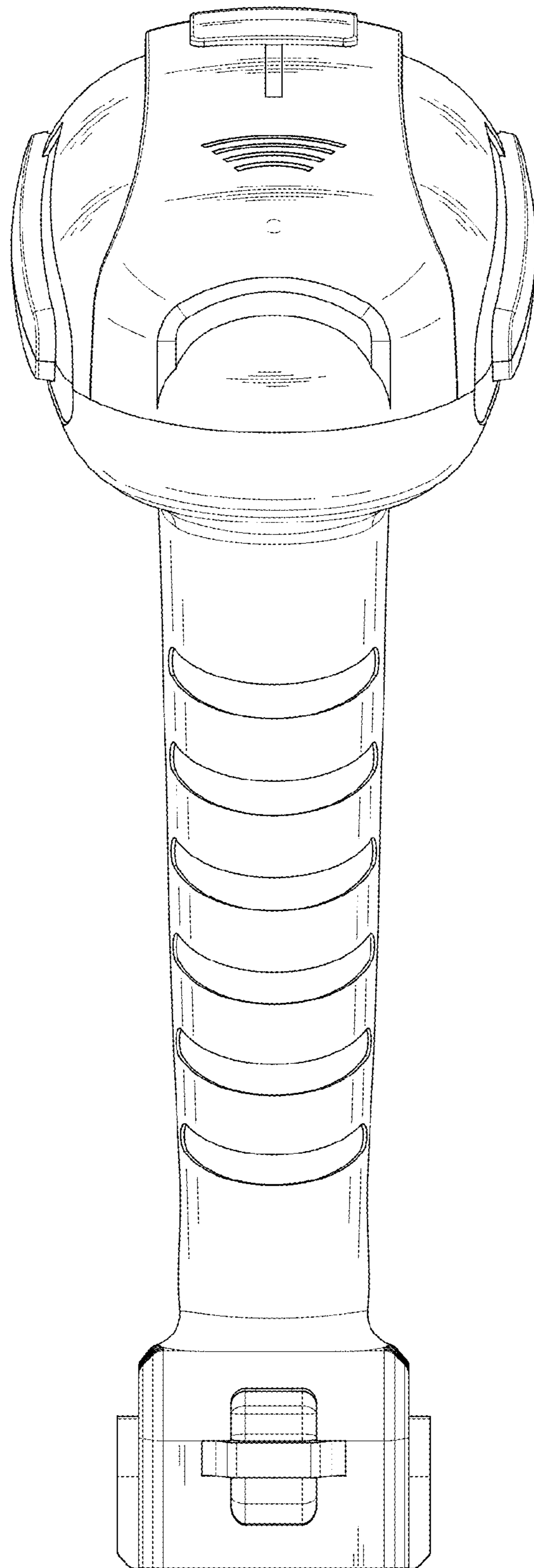


FIG. 4

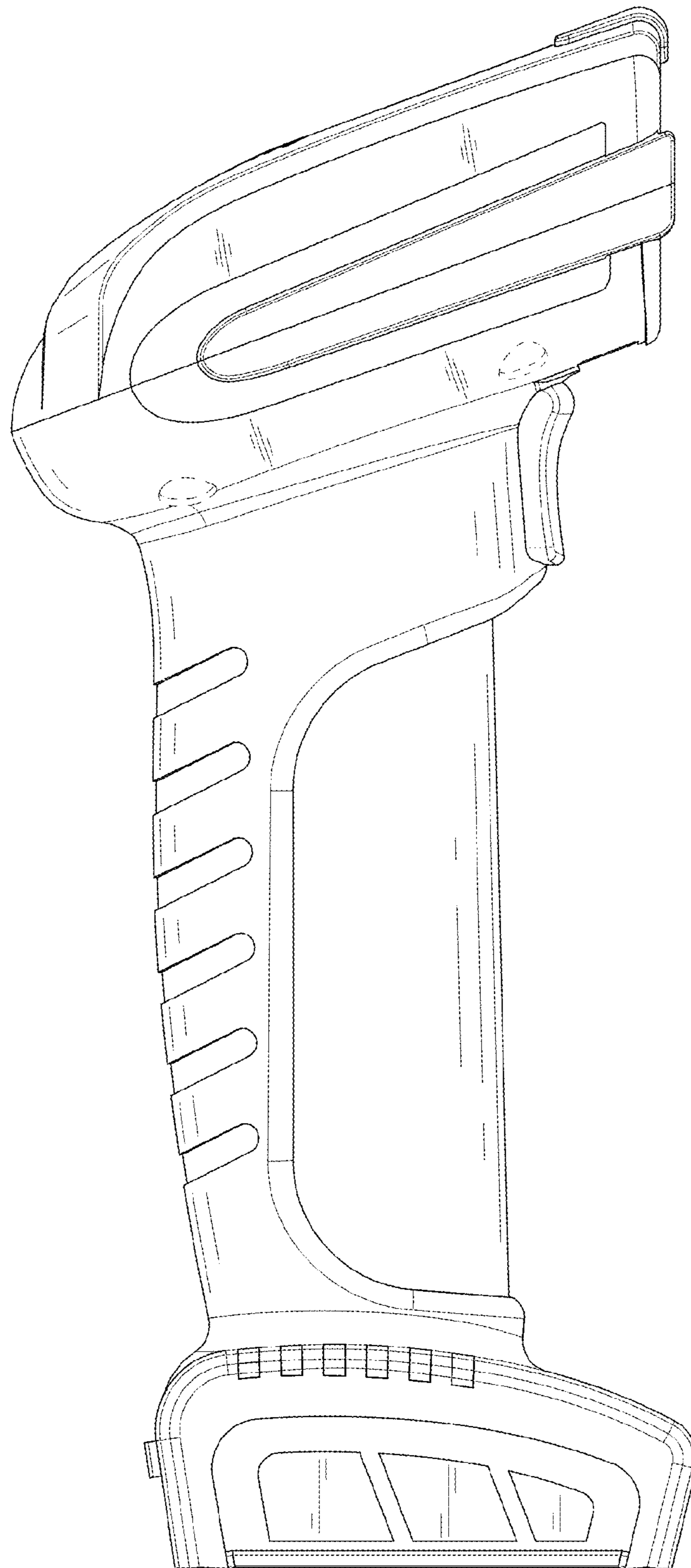


FIG.5

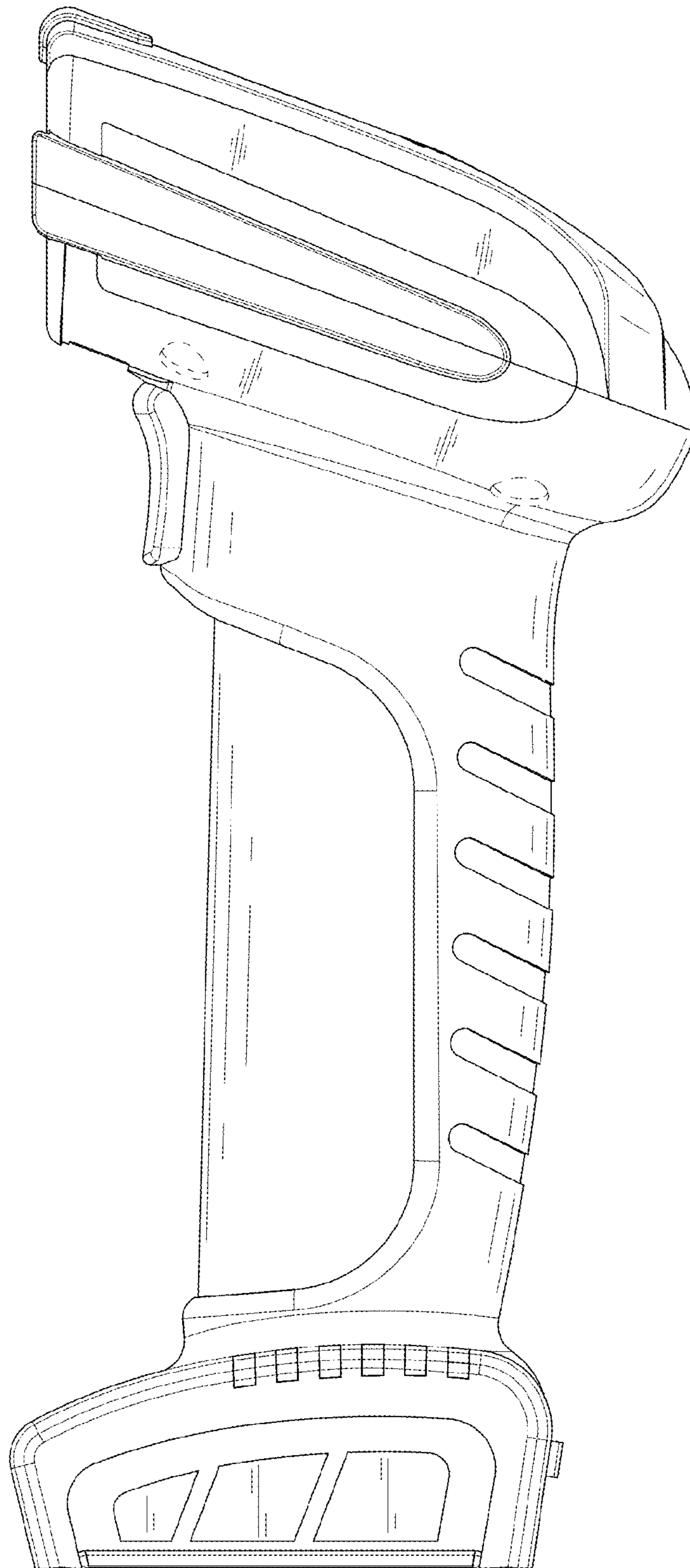


FIG.6



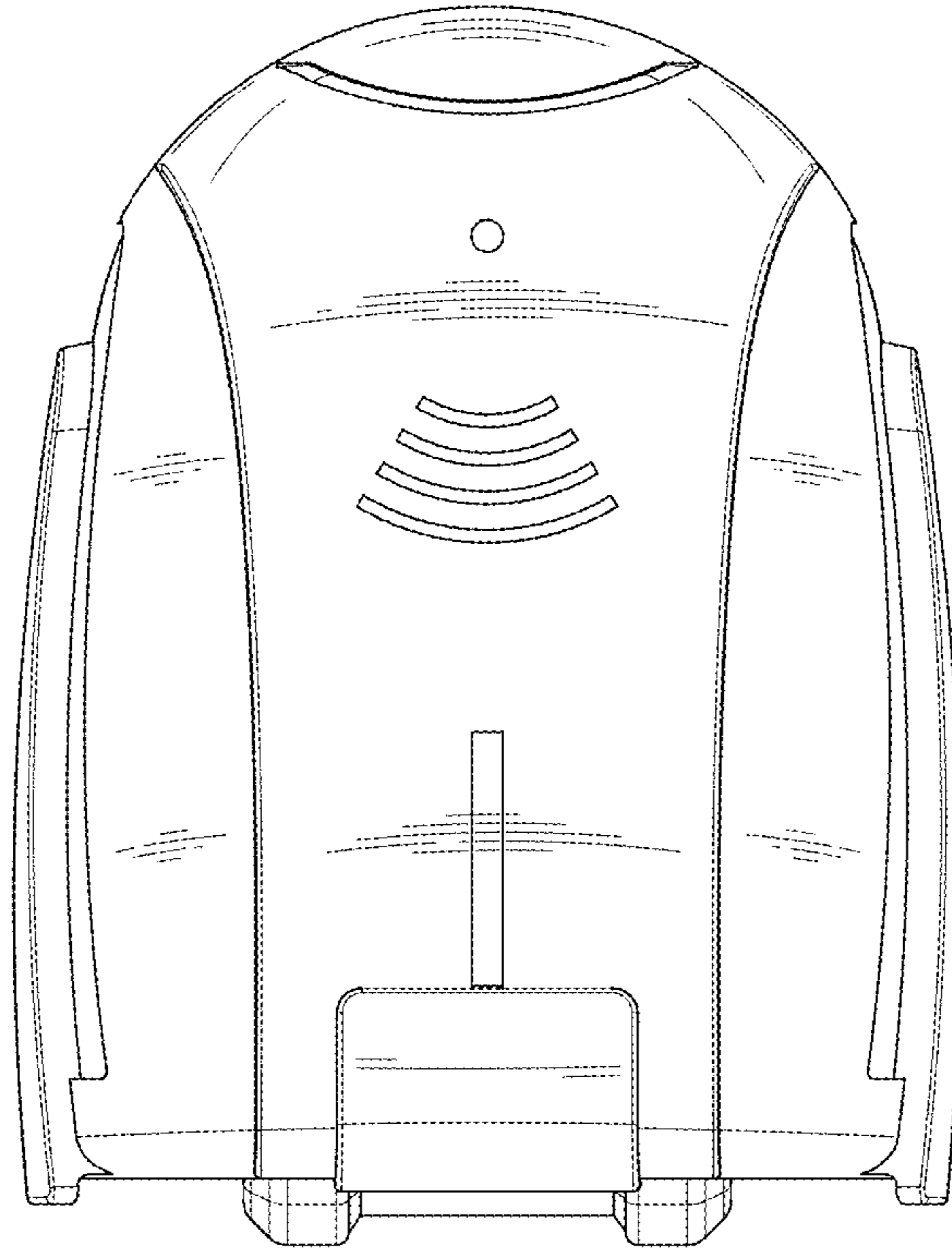


FIG. 7

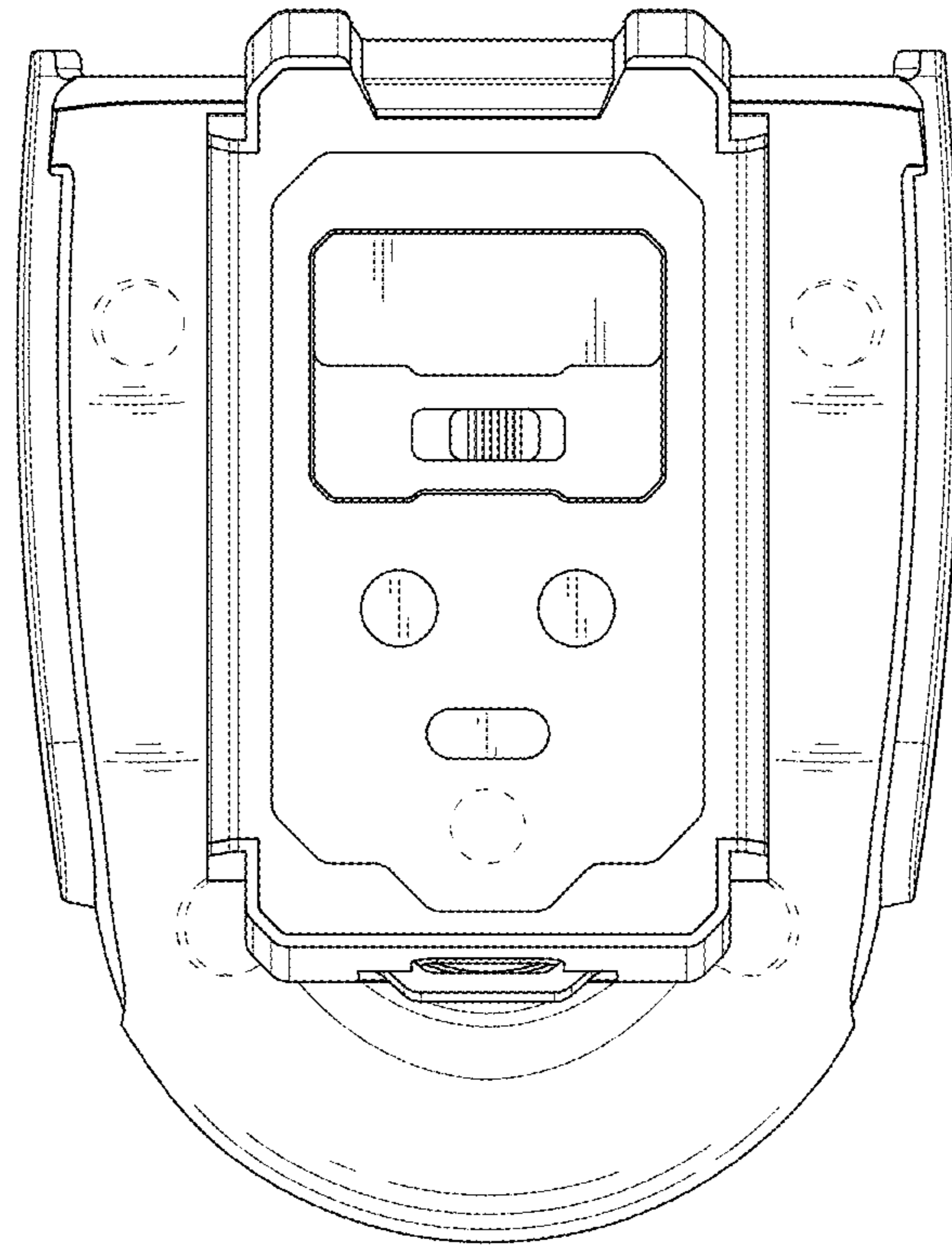


FIG. 8