



US00D986883S

(12) **United States Design Patent** (10) **Patent No.:** **US D986,883 S**  
**Yao** (45) **Date of Patent:** **\*\* May 23, 2023**

(54) **PORTABLE MONITOR**

FOREIGN PATENT DOCUMENTS

(71) Applicant: **Jin Yao**, Shenzhen (CN)  
(72) Inventor: **Jin Yao**, Shenzhen (CN)  
(\*\*) Term: **15 Years**

JP D1685263 \* 5/2021  
JP D1698654 \* 11/2021  
JP D1706159 \* 1/2022  
JP D1708420 \* 2/2022  
KR 301033296.0000 \* 11/2019

(21) Appl. No.: **29/740,483**

OTHER PUBLICATIONS

(22) Filed: **Jul. 4, 2020**

HP 14 E14 G4 Portable Monitor, date first available: Oct. 17, 2020, [retrieved Apr. 6, 2022], Retrieved from Internet, URL: <https://www.amazon.com/HP-14-E14-Portable-Monitor/dp/B08LBR1DL4> (Year: 2020).\*

(51) **LOC (14) Cl.** ..... **14-02**

(52) **U.S. Cl.** ..... **D14/341; D14/336**  
USPC .....

(58) **Field of Classification Search**  
USPC ... D14/126-127, 138 AA, 138 AB, 138 AC, D14/138 AD, 138 C, 138 G, 248, D14/315-318, 341-347, 371, 374, 336; D6/308, 310; D10/50, 65, 70, 78, 83, 87, D10/92, 98, 104.1; D18/6-7; D19/26, D19/59-60; D21/324, 329-330, 332; D12/114, 223

CPC ... H04M 1/0202; H04M 1/0266; H04M 1/725  
See application file for complete search history.

(Continued)

*Primary Examiner* — Messina L Smith  
*Assistant Examiner* — Aram Kwon

(57) **CLAIM**

The ornamental design for a portable monitor, as shown and described.

**DESCRIPTION**

(56) **References Cited**

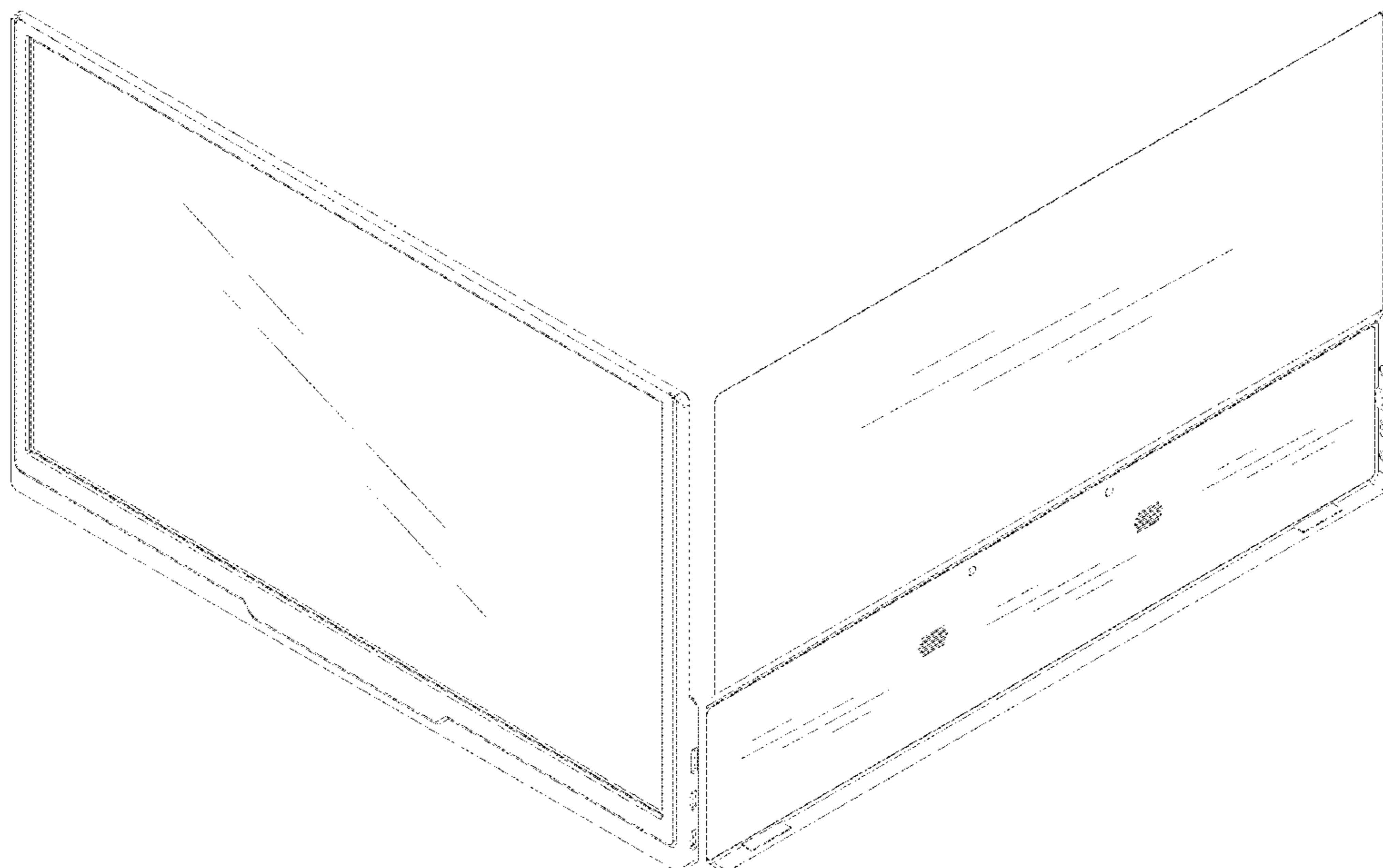
U.S. PATENT DOCUMENTS

D637,167 S \* 5/2011 Tsai ..... D14/126  
D724,582 S \* 3/2015 Kim ..... D14/341  
D745,001 S \* 12/2015 Cho ..... D14/341  
D760,718 S \* 7/2016 Wallace ..... D14/374  
D779,483 S \* 2/2017 Wall ..... D14/341  
D820,254 S \* 6/2018 Wall ..... D14/341  
D856,323 S \* 8/2019 Wall ..... D14/341  
D877,143 S \* 3/2020 Wall ..... D14/341  
D906,329 S \* 12/2020 Wu ..... D14/126  
D910,615 S \* 2/2021 Wall ..... D14/341  
D925,531 S \* 7/2021 Kim ..... D14/374  
D950,550 S \* 5/2022 Xu ..... D14/345  
D955,385 S \* 6/2022 Zhou ..... D14/371

FIG. 1 is a front, top perspective view of a portable monitor showing my new design;  
FIG. 2 is a rear, bottom perspective view thereof;  
FIG. 3 is a front elevational view thereof;  
FIG. 4 is a rear elevational view thereof;  
FIG. 5 is a left side elevational view thereof;  
FIG. 6 is a right side elevational view thereof;  
FIG. 7 is a top plan view thereof; and,  
FIG. 8 is a bottom plan view thereof.

The broken lines shown in the figures are for the purpose of illustrating portions of the portable monitor that forms no part of the claimed design.

**1 Claim, 8 Drawing Sheets**



(56)

**References Cited**

## OTHER PUBLICATIONS

Lenovo ThinkVision, date first available: Oct. 9, 2019, [retrieved Apr. 6, 2022], Retrieved from Internet, URL: <[https://www.amazon.com/dp/B07YX5NKK2?ots=1&slotNum=2&imprToken=32c0006e-9688-3099-a9c&ascsubtag=\[\]](https://www.amazon.com/dp/B07YX5NKK2?ots=1&slotNum=2&imprToken=32c0006e-9688-3099-a9c&ascsubtag=[])> (Year: 2019).\*

Portable Monitor, date first available: Oct. 24, 2019, [retrieved Apr. 6, 2022], Retrieved from Internet, URL: <[https://www.amazon.com/dp/B07YTNYT11?ots=1&slotNum=9&imprToken=32c0006e-9688-3099-a9c&ascsubtag=\[\]](https://www.amazon.com/dp/B07YTNYT11?ots=1&slotNum=9&imprToken=32c0006e-9688-3099-a9c&ascsubtag=[])> (Year: 2019).\*

Portable Monitor, date first available: Oct. 25, 2019, [retrieved Apr. 6, 2022], Retrieved from Internet, URL: <<https://www.amazon.com/Portable-Monitor-FreeSync-Speaker-Nintendo/dp/B07ZLXCVPN>> (Year: 2019).\*

Portable Monitor, date first available: Mar. 19, 2020, [retrieved Apr. 6, 2022], Retrieved from Internet, URL: <<https://www.amazon.com/>

[dp/B0863NZF2R?ots=1&slotNum=13&imprToken=32c0006e-9688-3099-a9c&ascsubtag=%5B%5D&th=1](https://www.amazon.com/dp/B0863NZF2R?ots=1&slotNum=13&imprToken=32c0006e-9688-3099-a9c&ascsubtag=%5B%5D&th=1)> (Year: 2020).\*

UPerfect True 4K Portable Monitor, date first available: Nov. 18, 2020, [retrieved Apr. 6, 2022], Retrieved from Internet, URL: <<https://www.amazon.com/UPERFECT-Portable-3840x2160-Brightness-FreeSync/dp/B08NSW5F8V/?ots=1&slotNum=36&imprToken=12c00071-16e%E2%80%A6&th=1>> (Year: 2020).\*

USB-C Portable Monitor, date first available: Oct. 25, 2019, [retrieved Apr. 6, 2022], Retrieved from Internet, URL: <<https://www.amazon.com/Portable-Monitor-Upgraded-1920x1080-Computer/dp/B07ZLY26FW?th=1>> (Year: 2019).\*

15.6inch Touch Screen, date not available, [retrieved Apr. 6, 2022], Retrieved from Internet, URL: <[https://g-story.com.hk/products/g-story-authorized-goods-15-6inch-touch-screen-4k-uhd-ips-usb-type-c-portable-monitor-gs156ut-switch-ps4-ps5?pr\\_p%E2%80%A6](https://g-story.com.hk/products/g-story-authorized-goods-15-6inch-touch-screen-4k-uhd-ips-usb-type-c-portable-monitor-gs156ut-switch-ps4-ps5?pr_p%E2%80%A6)> (Year: 2022).\*

\* cited by examiner

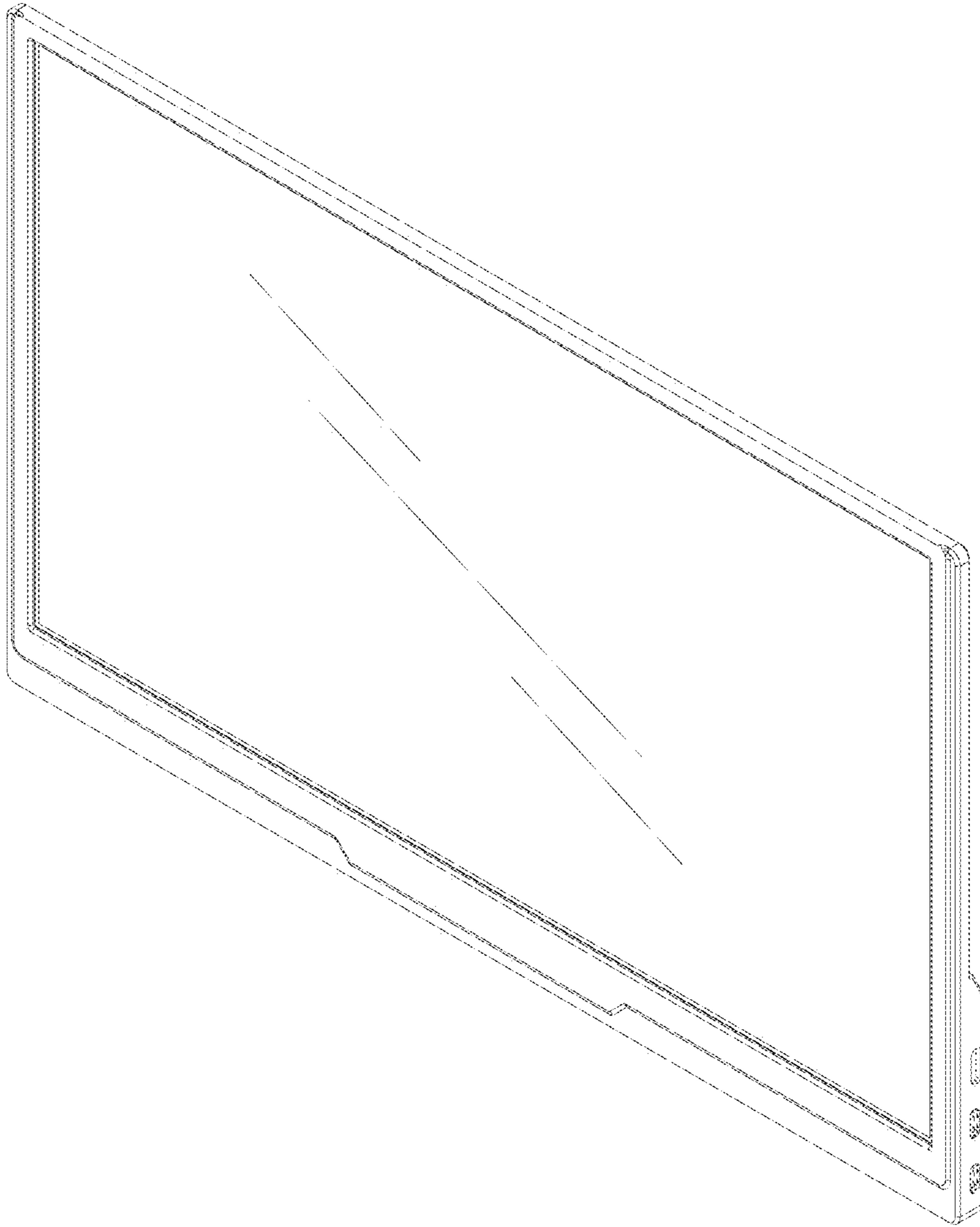


FIG. 1

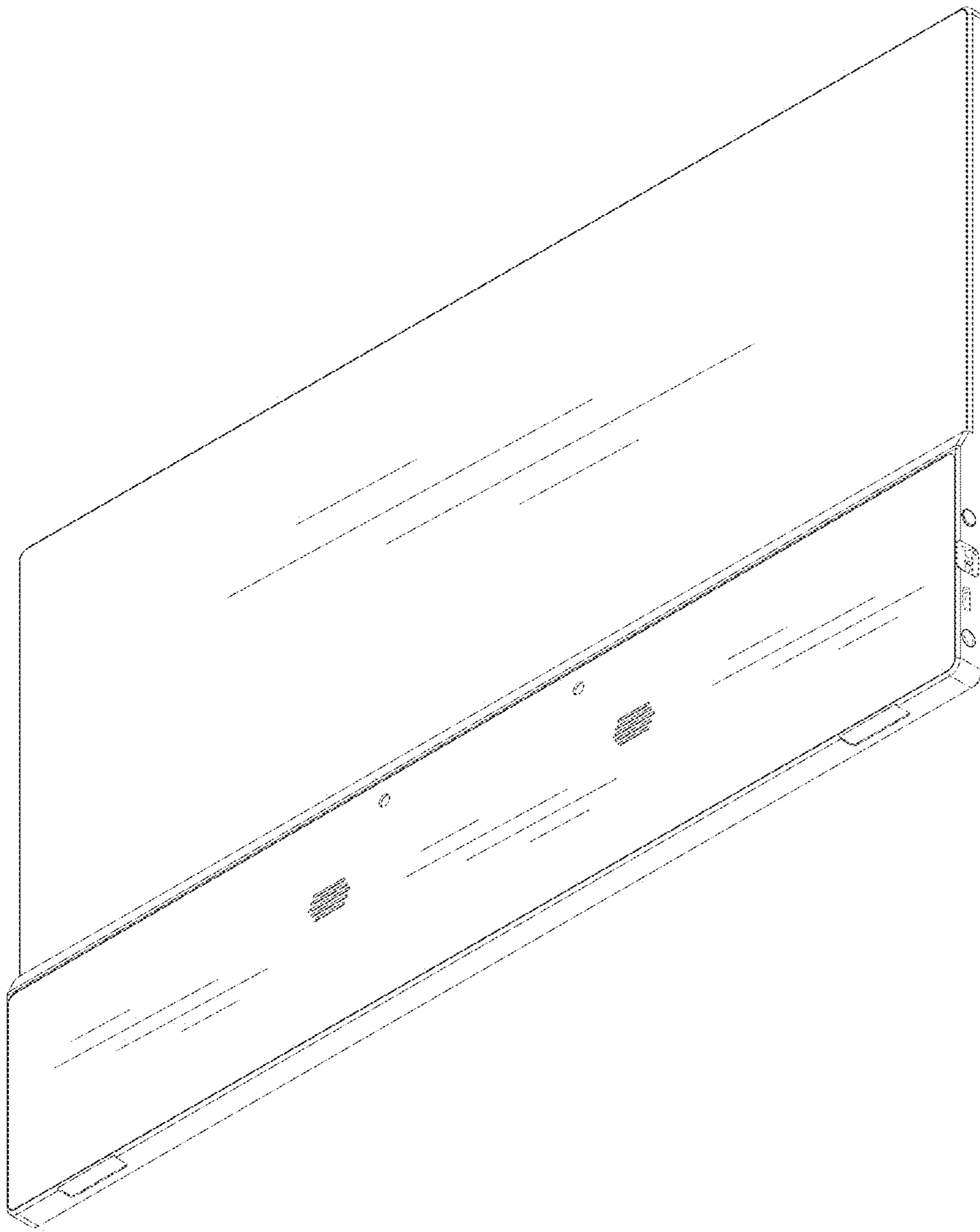


FIG. 2

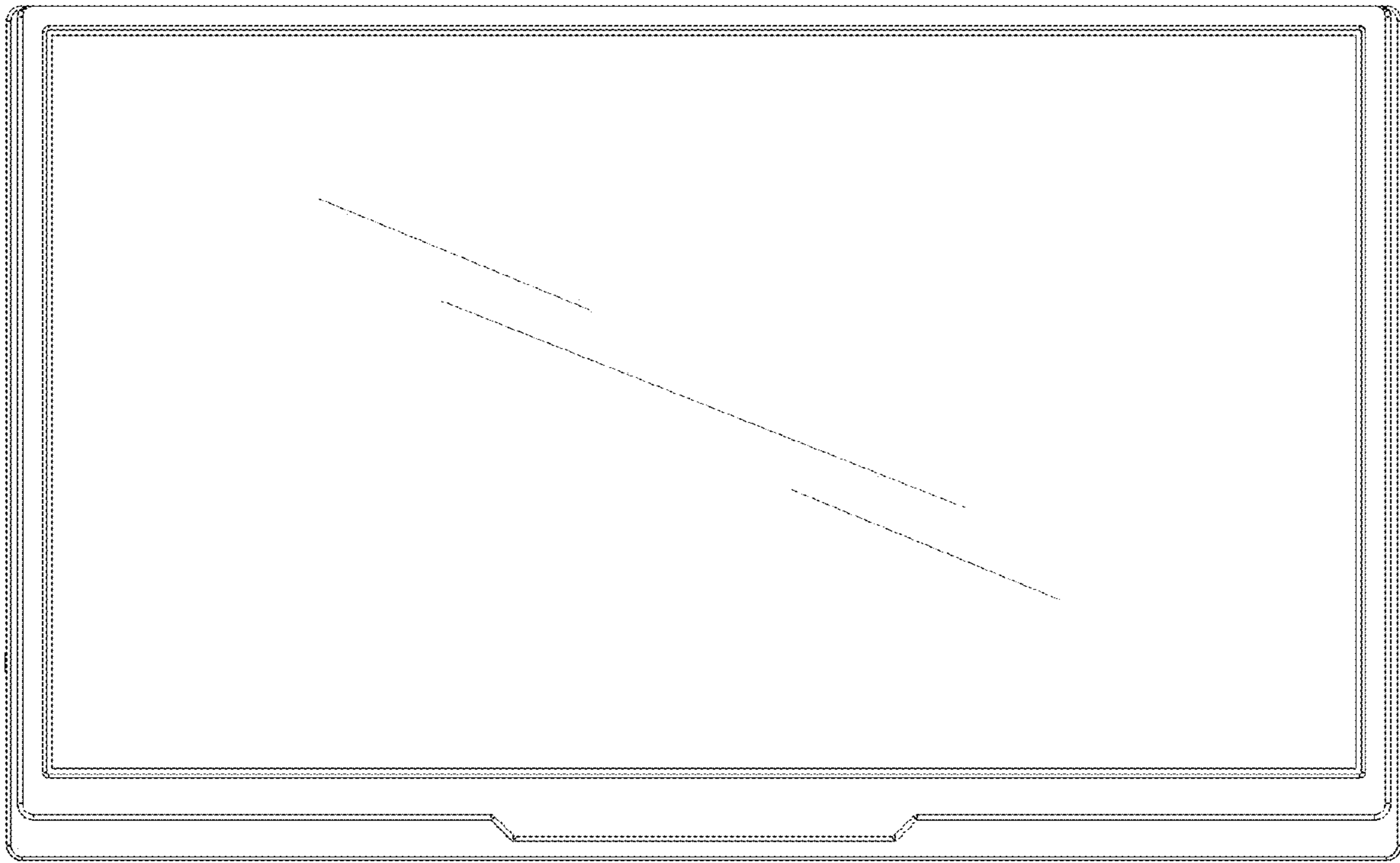


FIG. 3

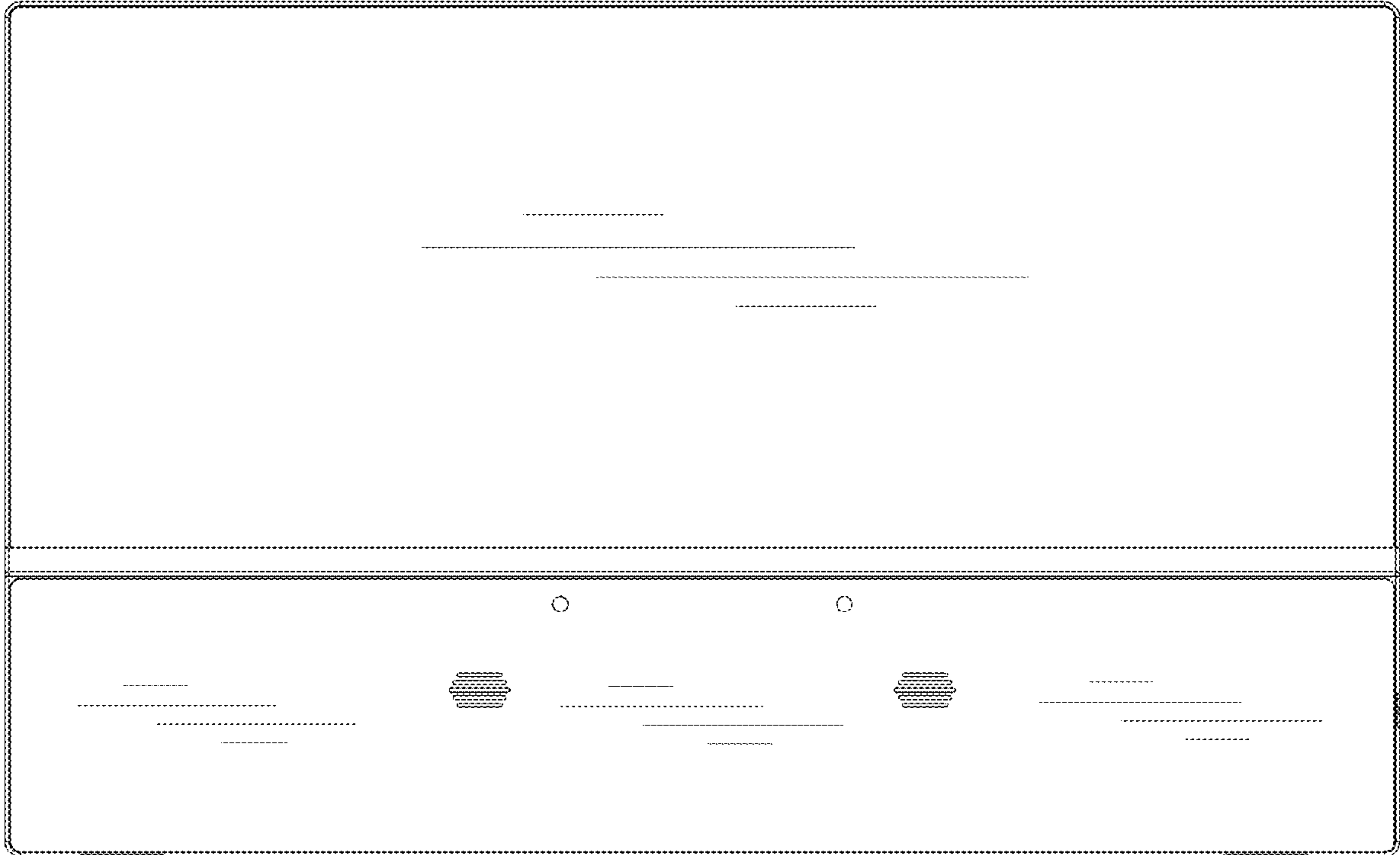


FIG. 4



FIG. 5

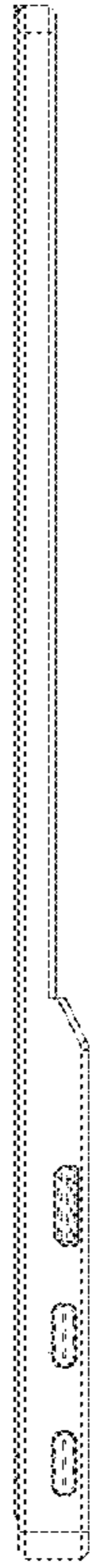


FIG. 6



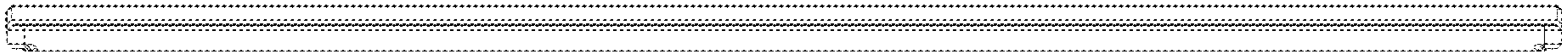


FIG. 7

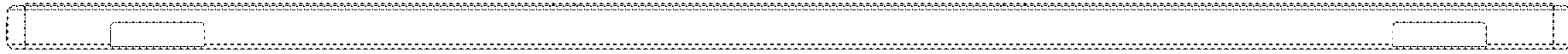


FIG. 8