



US00D986881S

(12) **United States Design Patent** (10) **Patent No.:** **US D986,881 S**
Li (45) **Date of Patent:** **** May 23, 2023**

(54) **MINI PERSONAL COMPUTER**
(71) Applicant: **SHENZHEN AZW TECHNOLOGY CO., LTD**, Shenzhen (CN)

(72) Inventor: **Jun Li**, Guangdong (CN)

(73) Assignee: **SHENZHEN AZW TECHNOLOGY CO., LTD**, Shenzhen (CN)

(**) Term: **15 Years**

(21) Appl. No.: **29/840,944**

(22) Filed: **Jun. 2, 2022**

(30) **Foreign Application Priority Data**

May 16, 2022 (CN) 202230288176.7

(51) **LOC (14) Cl.** **14-02**

(52) **U.S. Cl.**
USPC **D14/314**

(58) **Field of Classification Search**
USPC D14/125, 314, 400, 242; D21/333
CPC G06F 1/20; G06F 1/181; G06F 1/26
See application file for complete search history.

(56) **References Cited**

U.S. PATENT DOCUMENTS

- D354,500 S * 1/1995 Georgopoulos D14/242
- D434,737 S * 12/2000 Jensen D14/125
- D457,158 S * 5/2002 Awamori D14/356
- D464,044 S * 10/2002 Wang D14/242
- D491,563 S * 6/2004 Sato D14/242
- D494,579 S * 8/2004 Chuang D14/314
- D508,047 S * 8/2005 Taniho D14/314
- D537,817 S * 3/2007 Andre D14/314
- D546,785 S * 7/2007 Mathews D14/125
- D650,377 S * 12/2011 Akana D14/314
- D662,904 S * 7/2012 Wu D14/125
- D684,957 S * 6/2013 Smith D14/242
- D694,745 S * 12/2013 Akana D14/314
- D720,347 S 12/2014 Lo

- D777,695 S * 1/2017 Odryna D14/125
- D780,137 S * 2/2017 Tallqvist D14/125
- D816,625 S * 5/2018 Kim D14/125
- D828,817 S * 9/2018 Odryna D14/125
- D843,959 S * 3/2019 Tang D14/125

(Continued)

FOREIGN PATENT DOCUMENTS

CN 307532107 * 9/2022

OTHER PUBLICATIONS

Beelink miniPC, Amazon website reviews 2021, site visited Feb. 24, 2023, <https://www.amazon.com/Beelink-Mini-PC-i5-8279U-Performance/dp/B095SNXFHW?th=1>.*

Primary Examiner — John R Yeh

(57) **CLAIM**

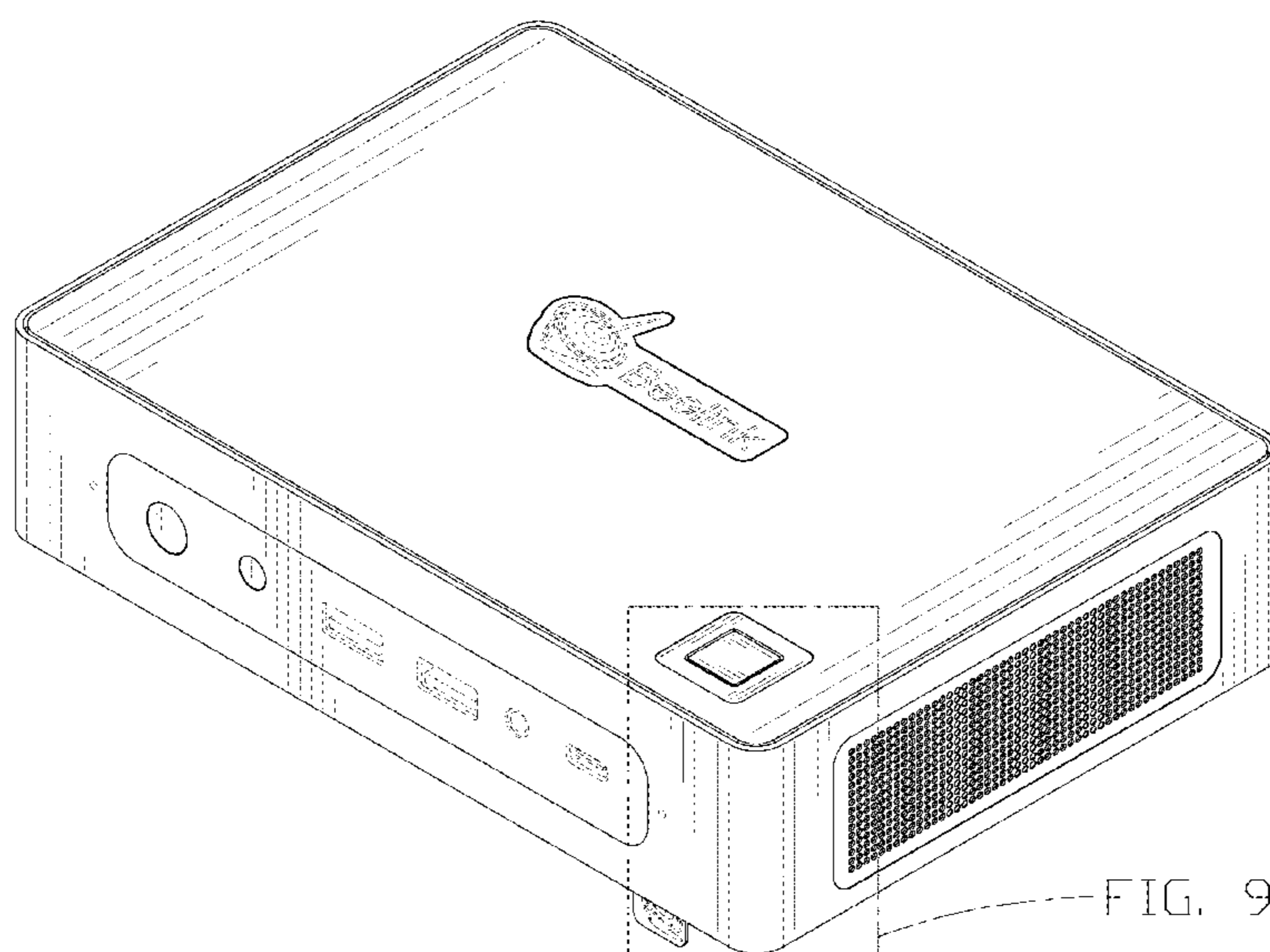
The ornamental design for a mini personal computer, as shown and described.

DESCRIPTION

FIG. 1 is a front and top perspective view of a mini personal computer, showing my new design;
FIG. 2 is a rear and bottom perspective view thereof;
FIG. 3 is a front elevation view thereof;
FIG. 4 is a rear elevation view thereof;
FIG. 5 is a left side elevation view thereof;
FIG. 6 is a right side elevation view thereof;
FIG. 7 is a top plan view thereof;
FIG. 8 is a bottom plan view thereof; and,
FIG. 9 is an enlarged view of a portion labeled, 'FIG. 9' in FIG. 1.

The broken lines in the figures illustrate portions of the mini personal computer that form no part of the claimed design. The dash dot dash lines in FIGS. 1 and 9 are for the purpose of depicting the boundary lines of the enlarged view and form no part of the claimed design.

1 Claim, 9 Drawing Sheets



(56)

References Cited

U.S. PATENT DOCUMENTS

D961,580 S *	8/2022	Chen	D14/301
2002/0122292 A1 *	9/2002	Stone	G06F 1/181
			361/679.59

* cited by examiner

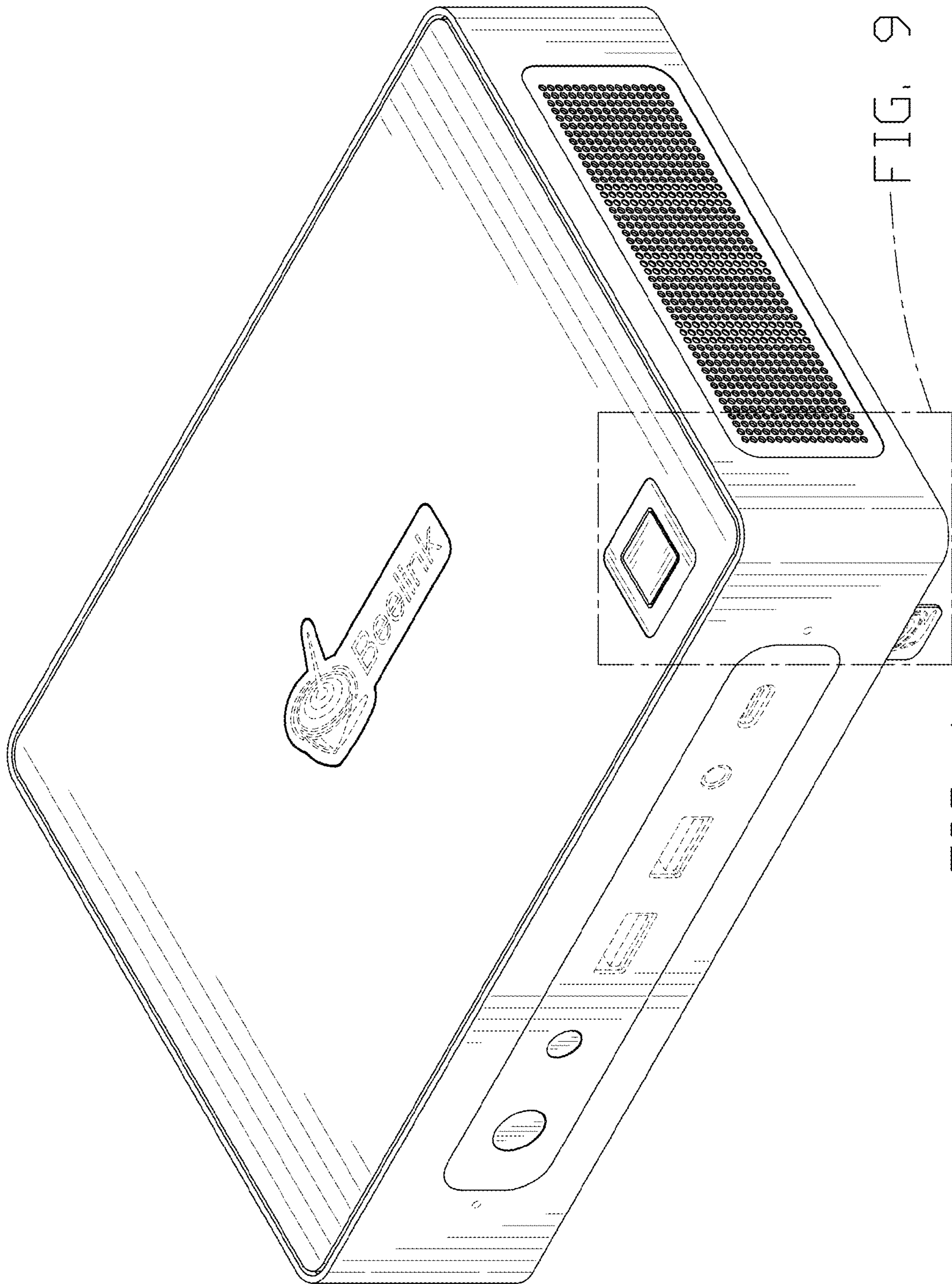


FIG. 1

FIG. 9

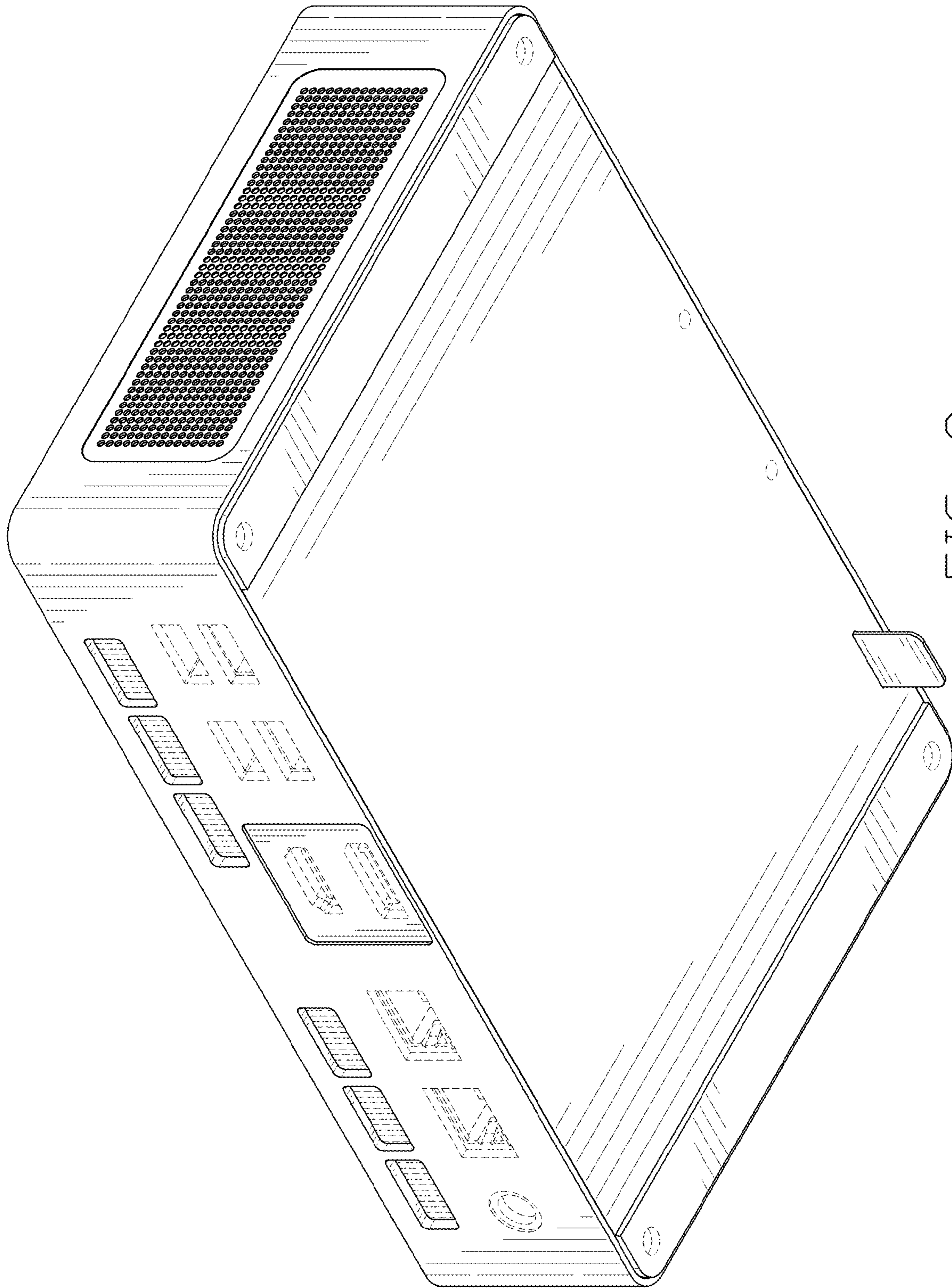


FIG. 2

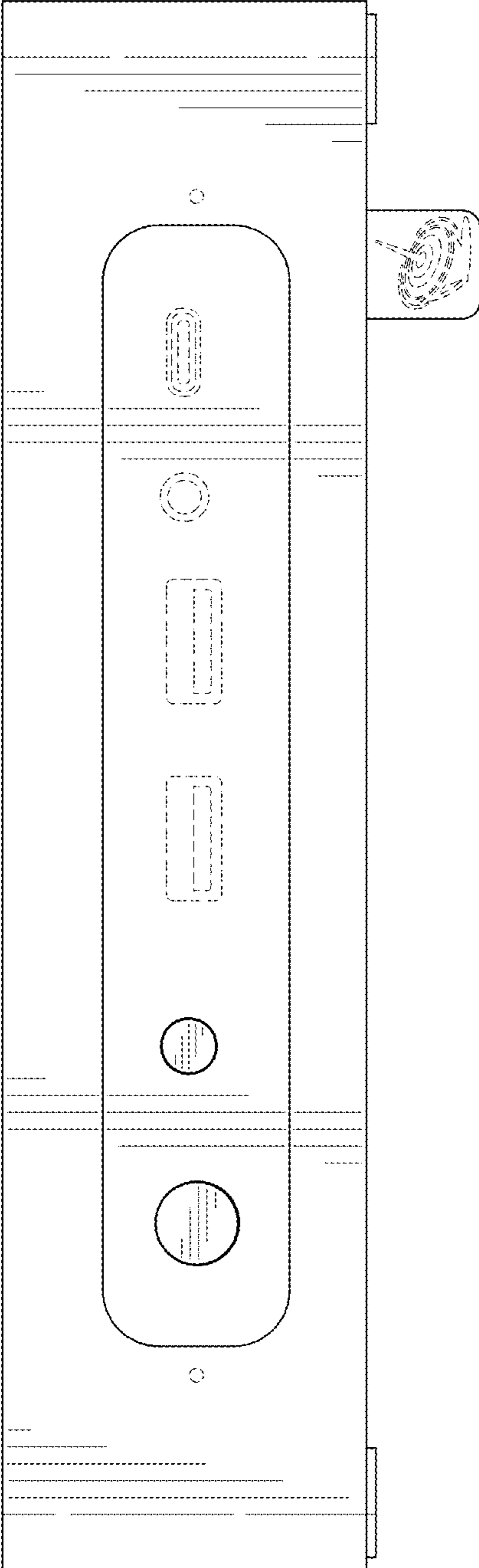


FIG. 3

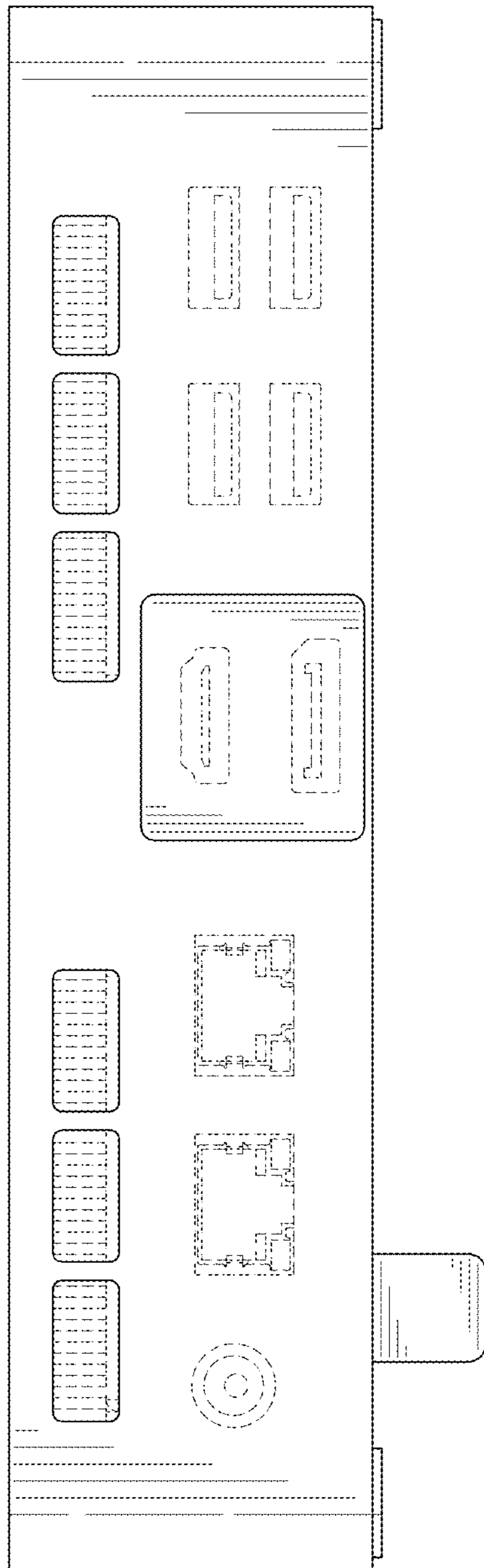


FIG. 4

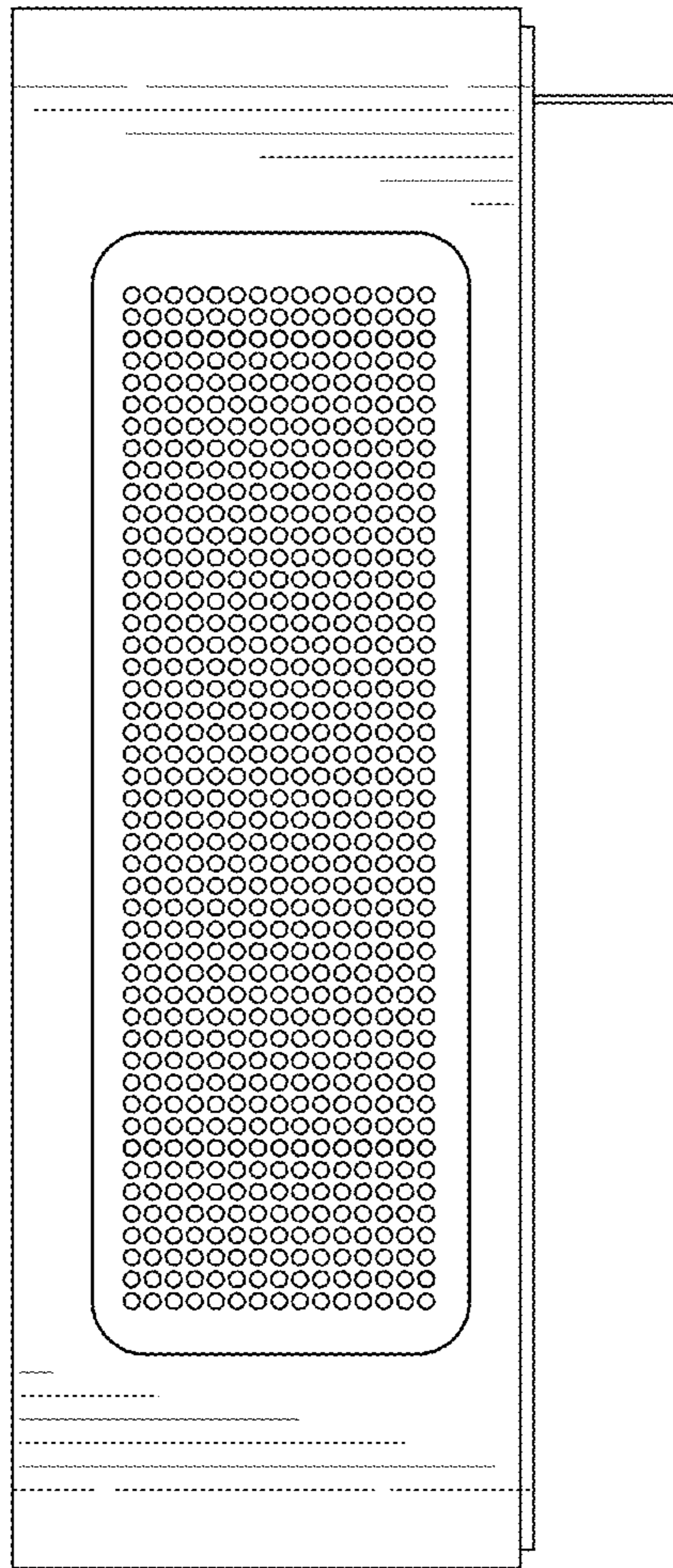


FIG. 5

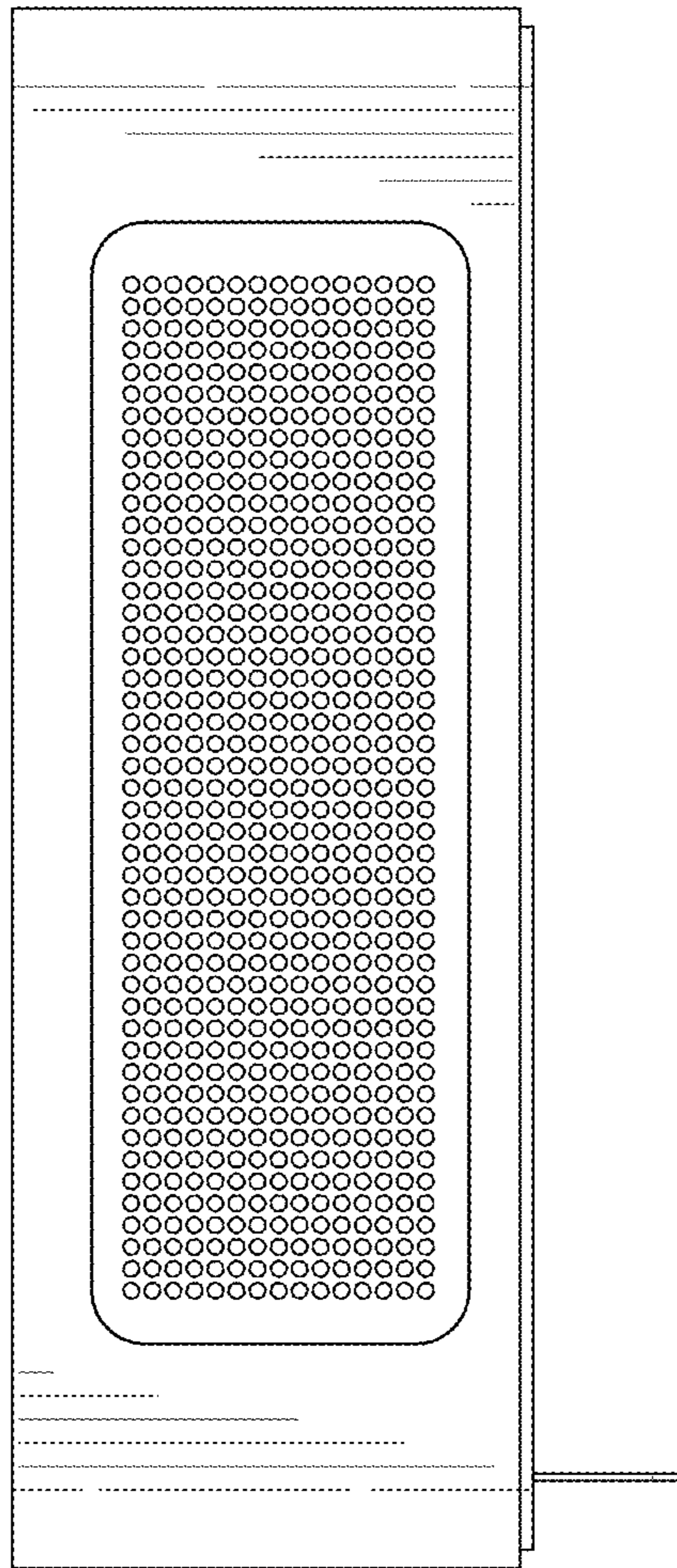


FIG. 6

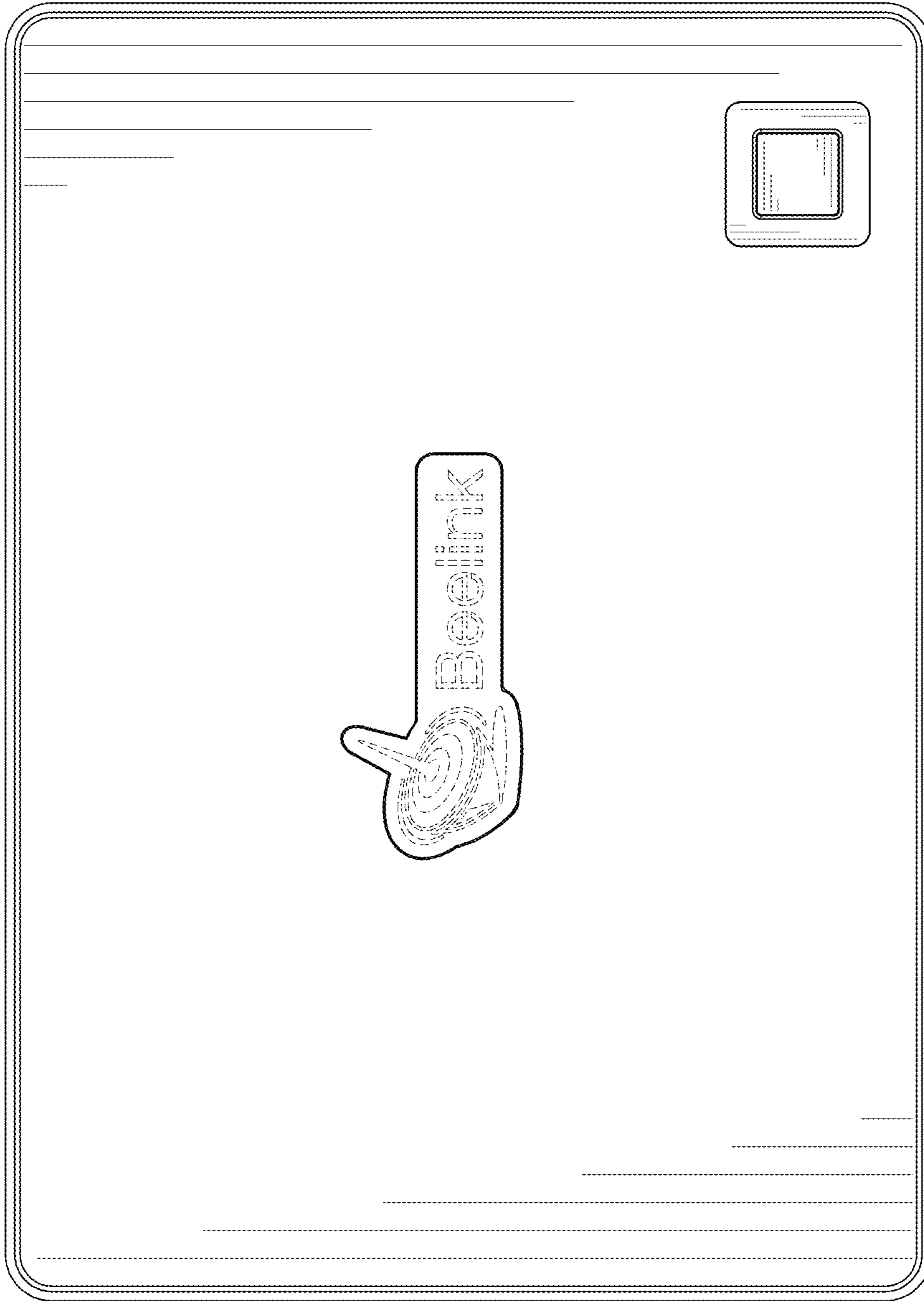


FIG. 7

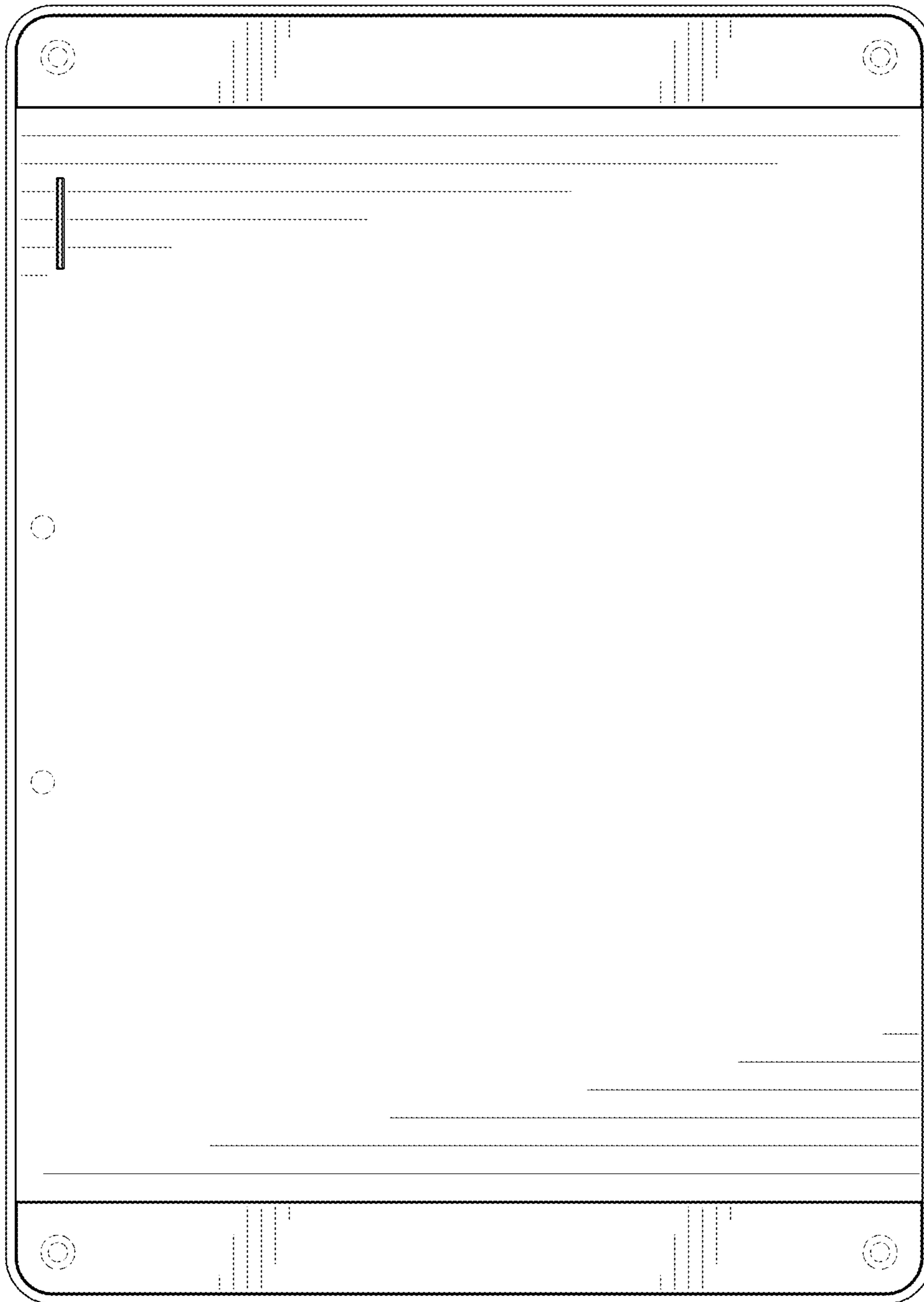


FIG. 8

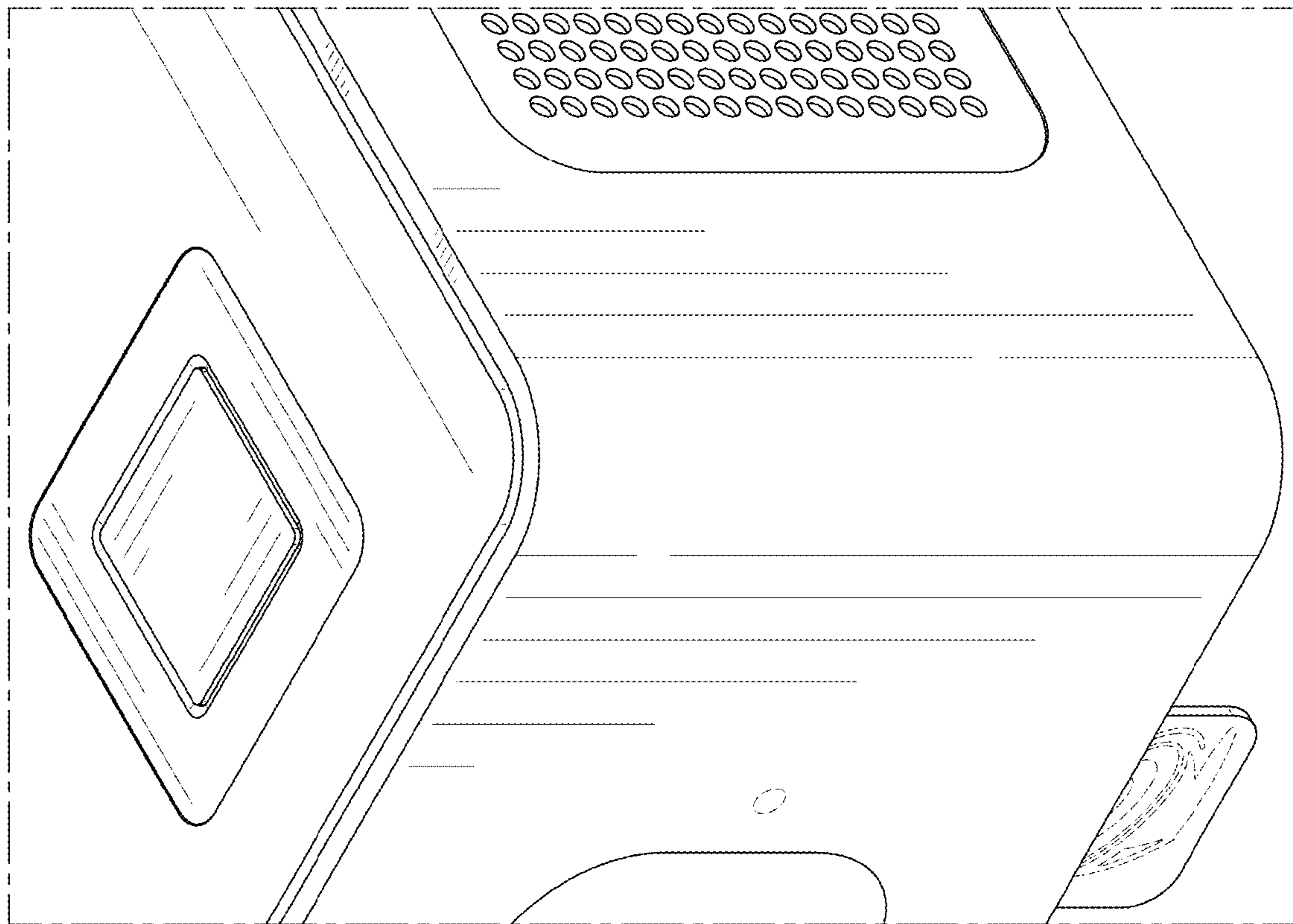


FIG. 9