



US00D986880S

(12) **United States Design Patent** (10) **Patent No.:** **US D986,880 S**
Yeom et al. (45) **Date of Patent:** **** May 23, 2023**

(54) **INFORMATION HANDLING SYSTEM**

(71) Applicant: **Dell Products L.P.**, Round Rock, TX (US)

(72) Inventors: **Jihun Yeom**, Seoul (KR); **Eid Beng Goh**, Taipei (TW)

(73) Assignee: **Dell Products L.P.**, Round Rock, TX (US)

(**) Term: **15 Years**

(21) Appl. No.: **29/755,017**

(22) Filed: **Oct. 16, 2020**

(51) **LOC (14) Cl.** **14-02**

(52) **U.S. Cl.**
USPC **D14/327**; D14/318

(58) **Field of Classification Search**

USPC D14/315-327, 331, 333, 334, 335, D14/338-340, 371, 388, 390, 391, 392, D14/394, 396, 399, 432, 433, 454, 455, D14/471, 203.1, 203.7, 341, 356, 488, D14/239, 125, 126, 129, 135, 373, 389, D14/439, 443, 127; D18/1, 4.3, 4.5, 7, D18/11, 12, 12.2, 12.3; D20/19, 29
CPC G06F 1/16; G06F 1/1601; G06F 1/1605; G06F 1/1607; G06F 1/1613; G06F 1/1616; G06F 1/1618; G06F 1/162; G06F 1/1622; G06F 1/1624; G06F 1/1626; G06F 1/1628; G06F 1/1633; G06F 1/1637; G06F 1/1641; G06F 1/1643; G06F 1/1647; G06F 1/1649; G06F 1/165; G06F 1/1652; G06F 1/1654; G06F 1/1656; G06F 1/1662; G06F 1/1664; G06F 1/1666; G06F 1/1667; G06F 1/1669; G06F 1/1671; G06F 1/1675; G06F 1/1681; G06F 1/1686; G06F 1/1688; G06F 1/169; G06F 1/1692; G06F 1/181; H05K 5/0017; H05K 5/03; H05K 5/0052; H05K 5/0069;

(Continued)

(56) **References Cited**

U.S. PATENT DOCUMENTS

D725,648 S * 3/2015 Chang D14/327
D743,958 S 11/2015 Goh et al.

(Continued)

OTHER PUBLICATIONS

2022 Newest Dell Inspiron 16 Plus 7610. Dell, amazon.com (online) 17 pages. Posted Jun. 2, 2022. [Retrieved Jun. 15, 2022] https://www.amazon.com/dp/B0B33HBT8J/ref=cm_sw_em_r_mt_dp_2JQDJC3E5QQT94J7P217?_encoding=UTF8&psc=1 (Year: 2022).*

(Continued)

Primary Examiner — Rebekah A Caruso

Assistant Examiner — Cole Sanders Holman

(74) *Attorney, Agent, or Firm* — Zagorin Cave LLP; Robert W. Holland

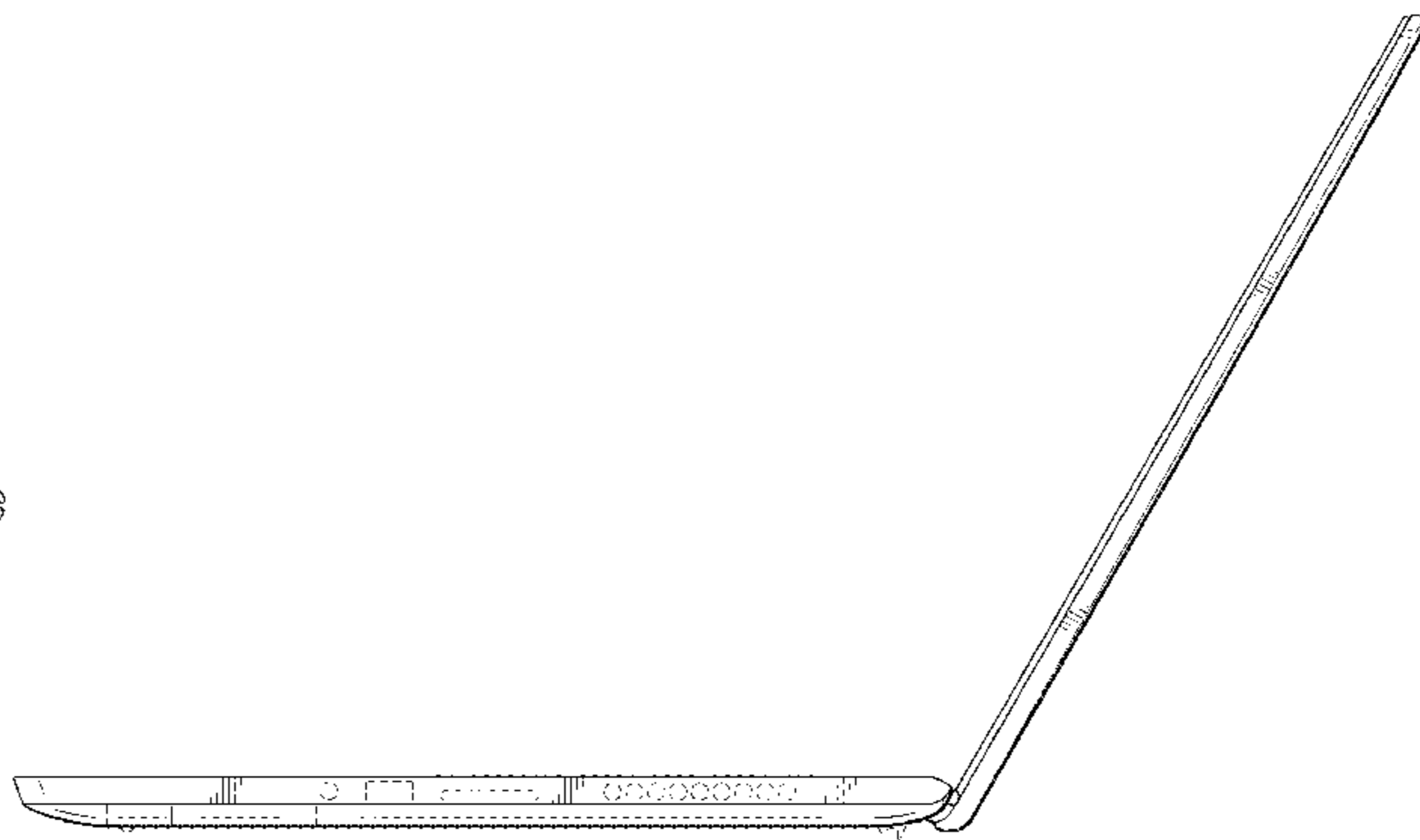
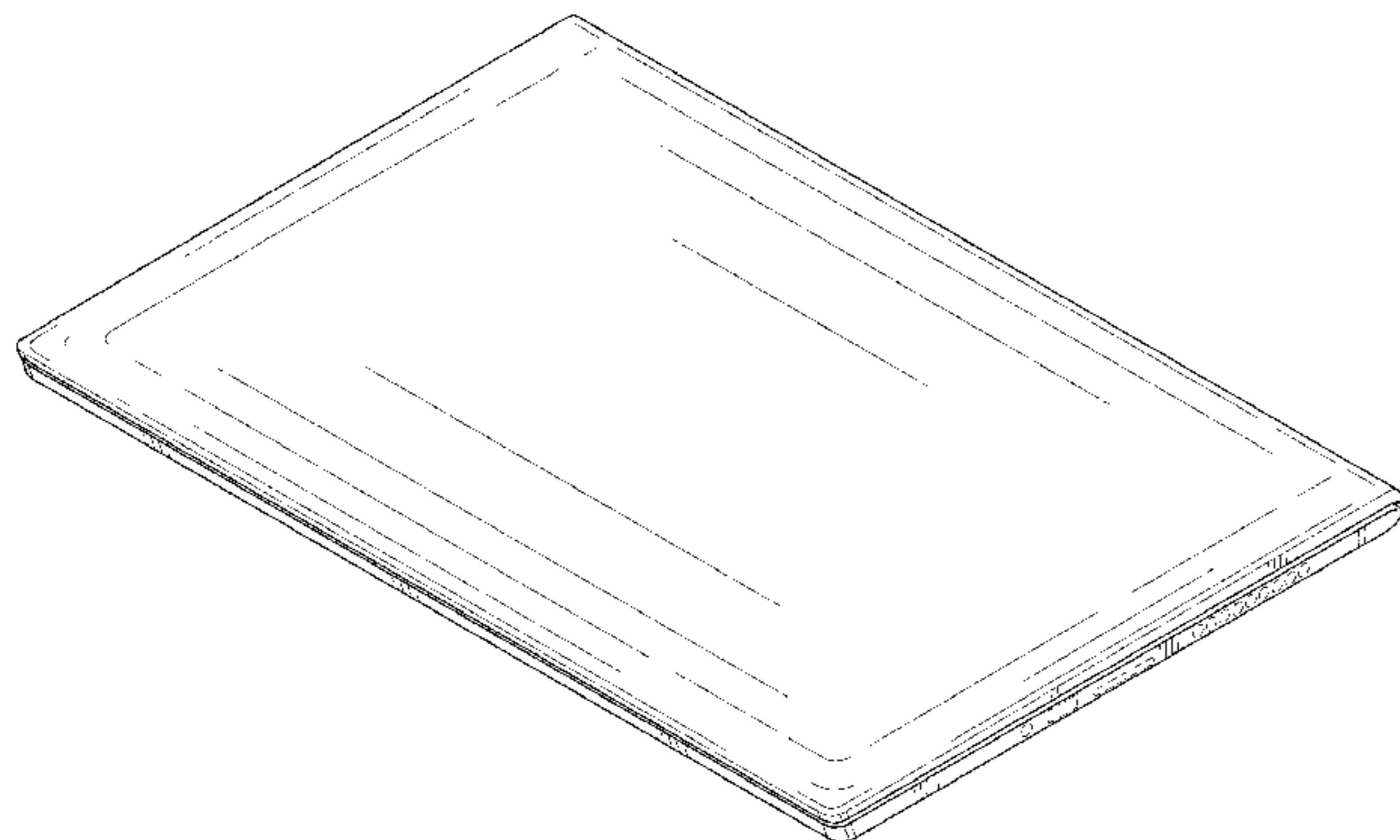
(57) **CLAIM**

We claim the ornamental design for an information handling system, as shown and described.

DESCRIPTION

FIG. 1 is a front perspective view of the information handling system comprising the present invention; FIG. 2 is a front elevation view thereof; FIG. 3 is a rear elevation view thereof; FIG. 4 is a right side view thereof; FIG. 5 is a left side view thereof; FIG. 6 is a top view thereof; FIG. 7 is a bottom view thereof; FIG. 8 is a bottom perspective view thereof; FIG. 9 is a front perspective view thereof in an open position; and, FIG. 10 is a right side view thereof in an open position. Broken lines shown in the drawings illustrate portions of the information handling system and form no part of the claimed design.

1 Claim, 7 Drawing Sheets



(58) **Field of Classification Search**

CPC .. H05K 5/0217; H05K 5/0239; H05K 5/0249;
H05K 5/0247; H05K 5/003; H04B
1/3888; H04M 1/0202; H04M 1/021;
H04M 1/0212; H04M 1/0279; H04M
1/0281; H04M 1/0283

See application file for complete search history.

(56) **References Cited**

U.S. PATENT DOCUMENTS

| | | | | | | |
|--------------|----|---|---------|------------|-------|-------------|
| D746,809 | S | * | 1/2016 | Takada | | D14/327 |
| D758,360 | S | * | 6/2016 | Lyles | | D14/315 |
| D770,442 | S | * | 11/2016 | Tu | | D14/315 |
| D781,282 | S | | 3/2017 | Hsu et al. | | |
| D807,343 | S | * | 1/2018 | Goh | | D14/315 |
| D915,396 | S | * | 4/2021 | Sheu | | D14/327 |
| D917,461 | S | * | 4/2021 | DiLoreto | | D14/327 |
| D928,775 | S | * | 8/2021 | Yeom | | D14/315 |
| D949,142 | S | * | 4/2022 | Kim | | D14/327 |
| D950,548 | S | * | 5/2022 | Eguchi | | D14/327 |
| 2020/0174530 | A1 | * | 6/2020 | Wu | | G06F 1/1686 |

OTHER PUBLICATIONS

HP Envy 13 Review. HP, techspot.com (online) 7 pages. Posted Mar. 25, 2016. [Retrieved Jun. 16, 2022] <https://www.techspot.com/review/1143-hp-envy-13/.%20%20Maybe%20even%20this%20vintage%20toshiba:%20https://geardiary.com/2007/10/01/the-toshiba-tecra-m8-laptop-computer-review/> (Year: 2016).*

U.S. Appl. No. 29/754,901, filed Oct. 15, 2020, entitled "Information Handling System," by inventors Duck Soo Choi et al.

U.S. Appl. No. 29/743,858, filed Jul. 24, 2020, entitled "Information Handling System Display," by inventors Duck Soo Choi et al.

U.S. Appl. No. 29/743,857, filed Jul. 24, 2020, entitled "Information Handling System Display," by inventors Duck Soo Choi et al.

U.S. Appl. No. 29/743,855, filed Jul. 24, 2020, entitled "Information Handling System Display," by inventors Duck Soo Choi et al.

U.S. Appl. No. 29/725,239, filed Feb. 24, 2020, entitled "Information Handling System," by inventors Eid-Beng Goh et al.

* cited by examiner

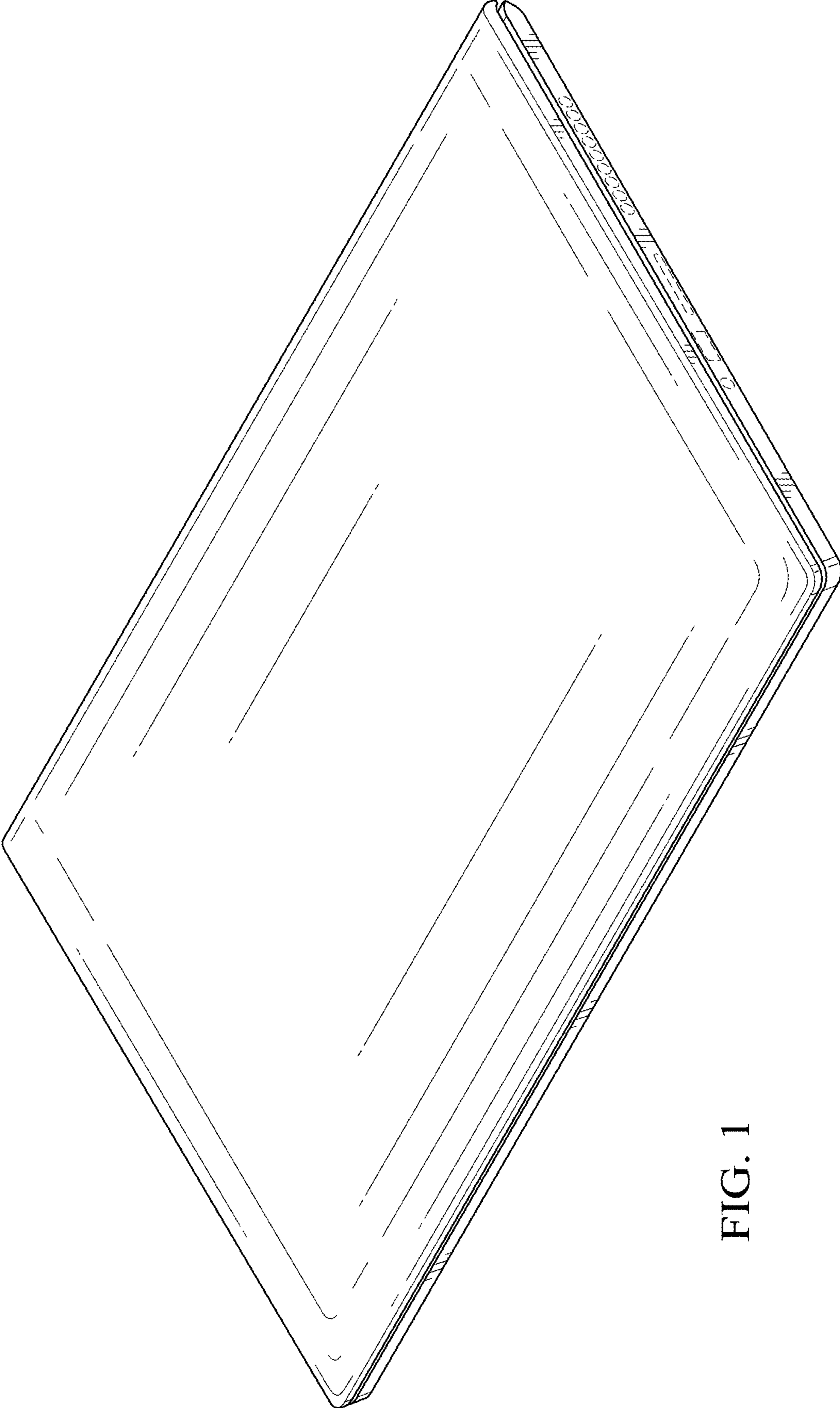


FIG. 1

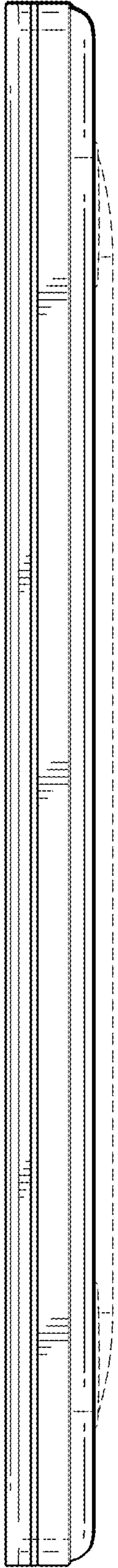


FIG. 2

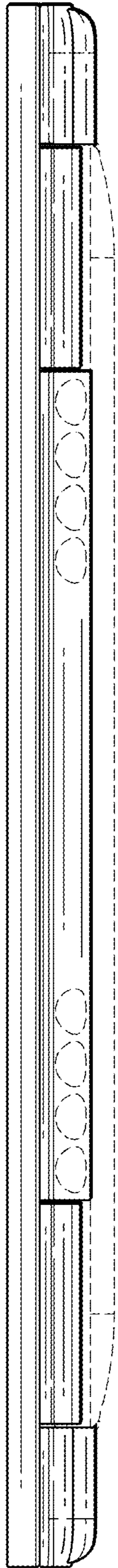


FIG. 3

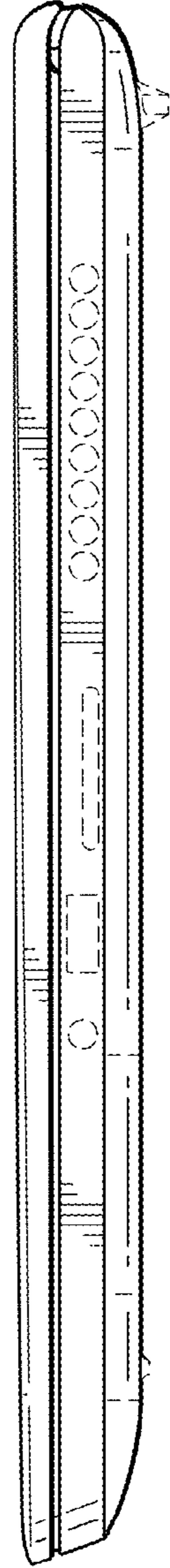


FIG. 4

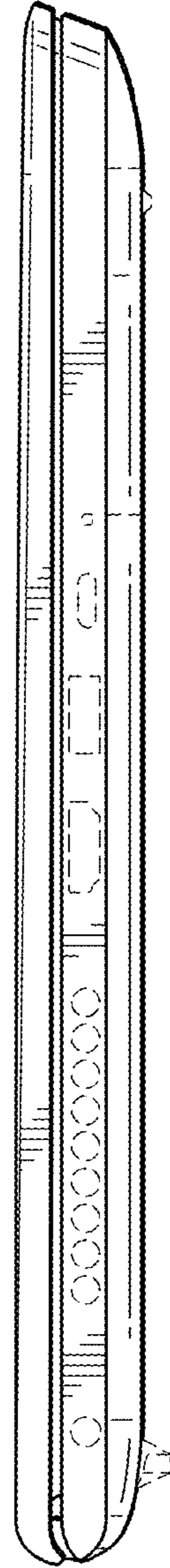


FIG. 5

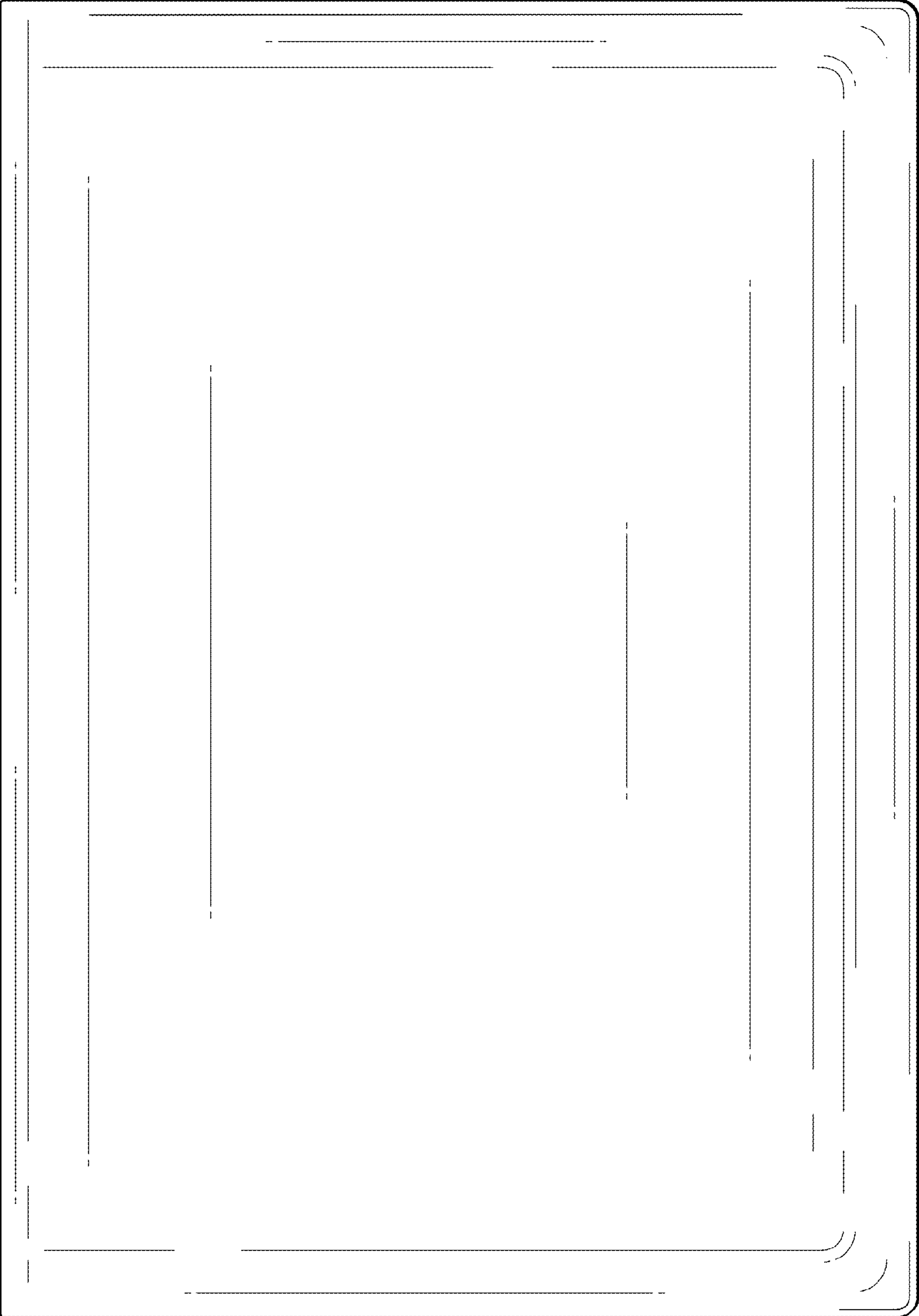


FIG. 6

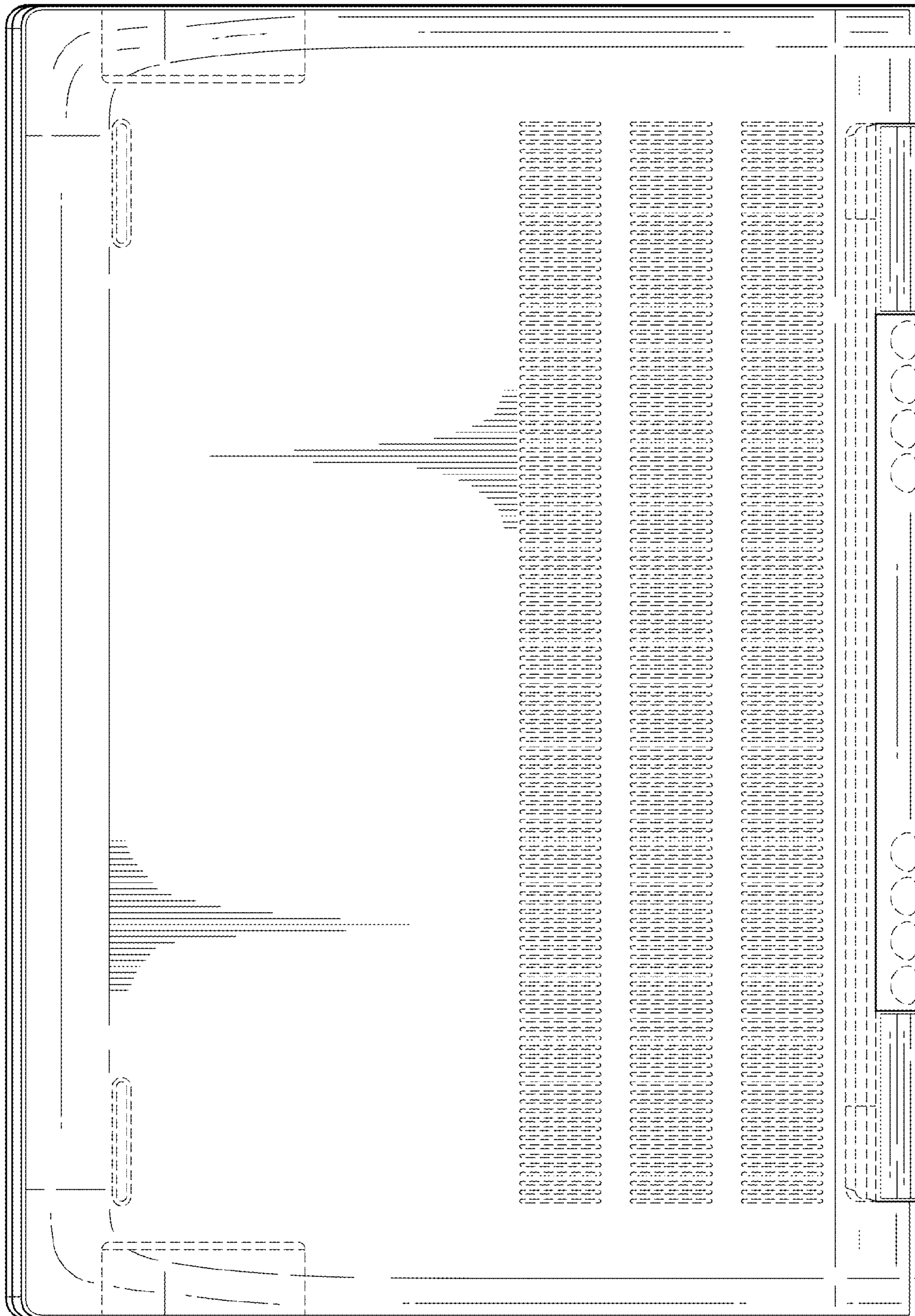


FIG. 7

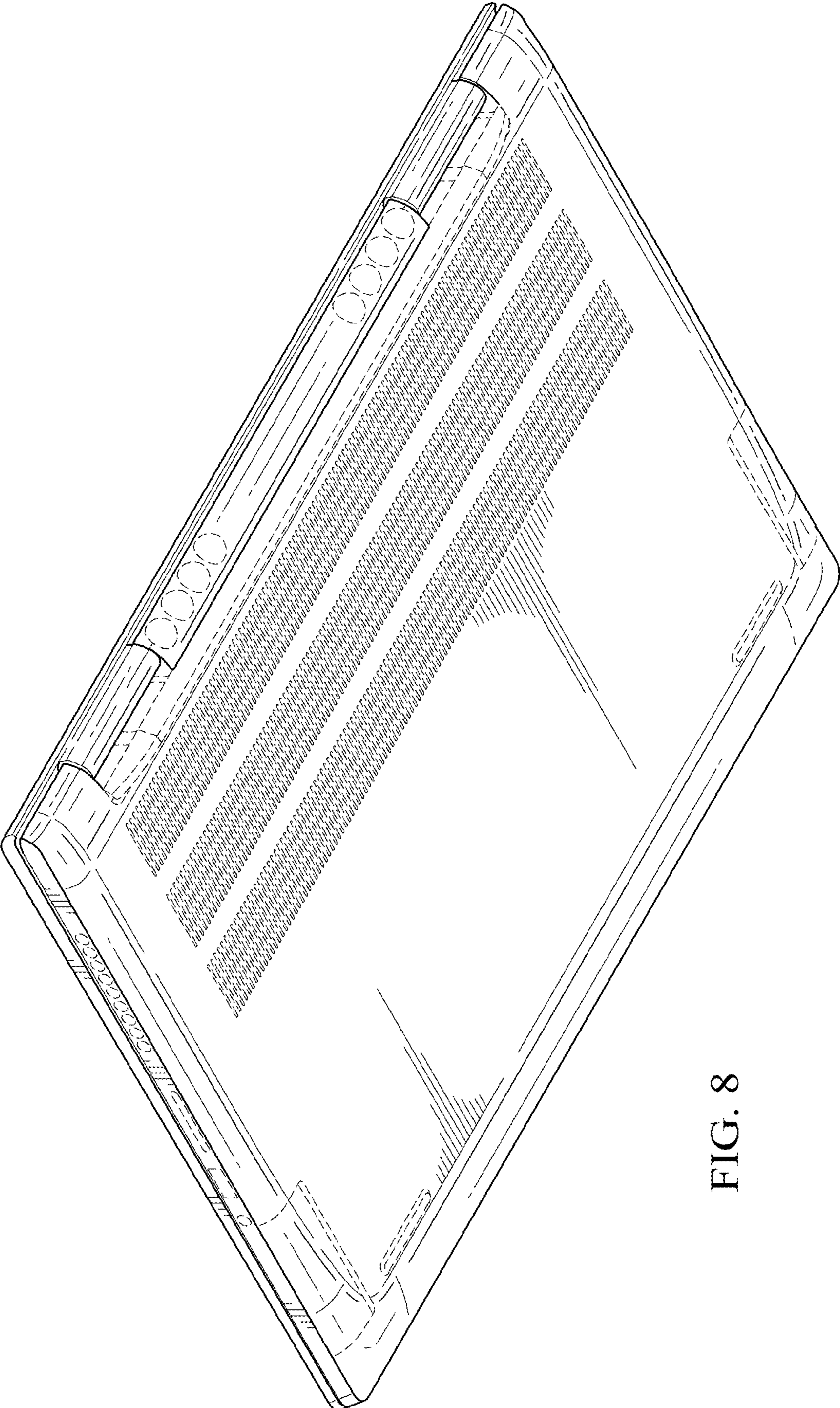


FIG. 8

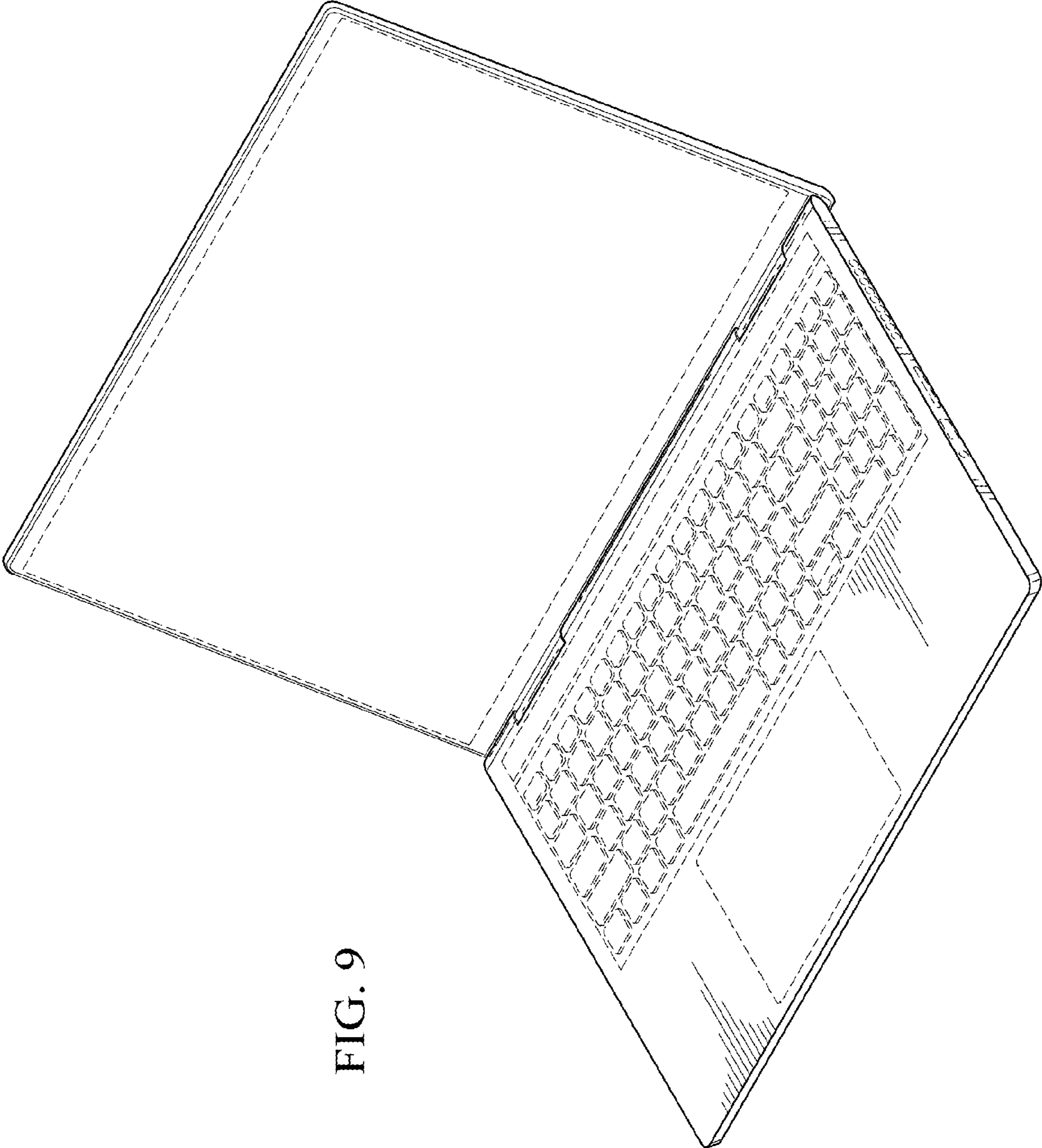


FIG. 9

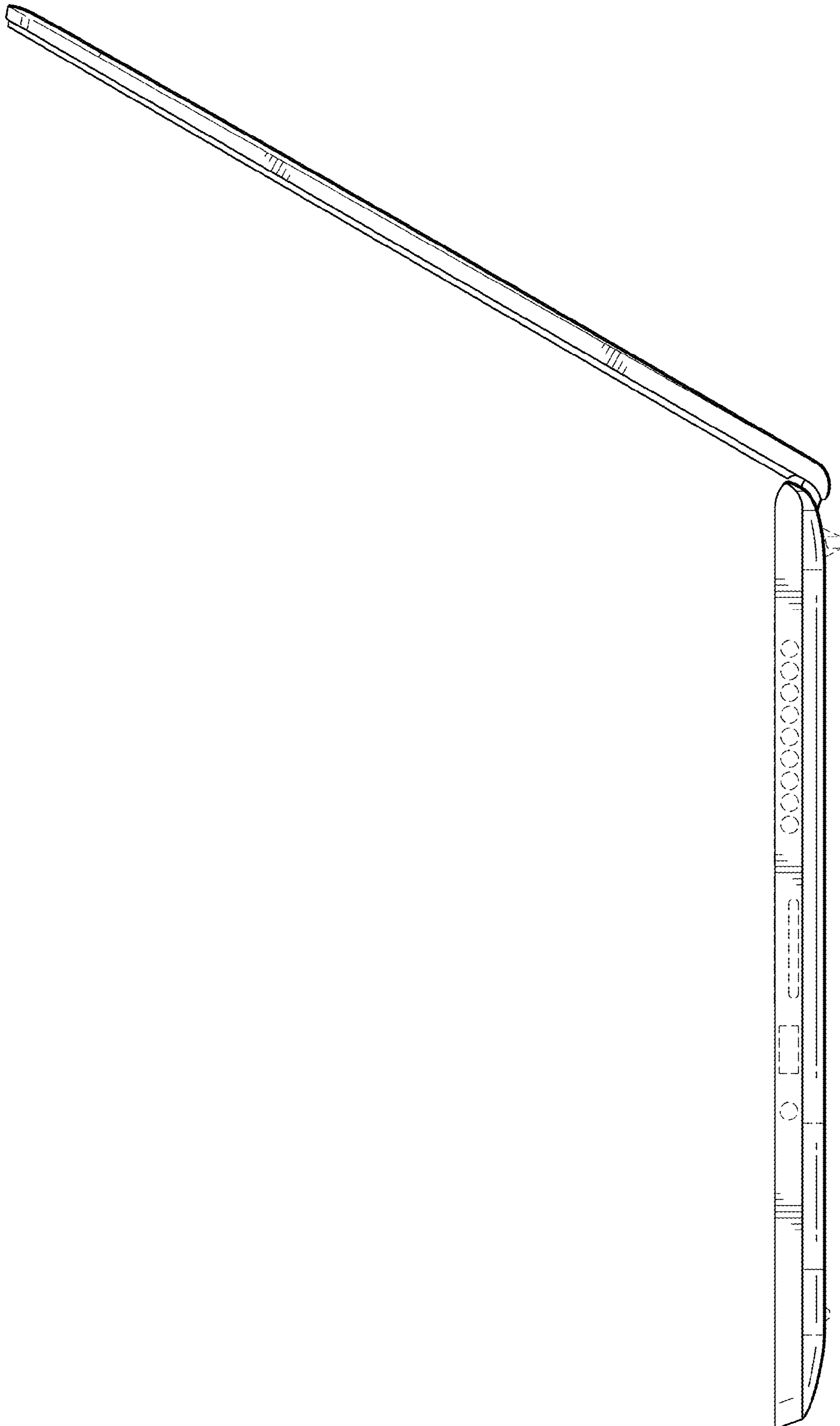


FIG. 10