



US00D986879S

(12) **United States Design Patent**
Zhou

(10) **Patent No.:** **US D986,879 S**
(45) **Date of Patent:** **** May 23, 2023**

(54) **MOBILE PHONE HOLDER**

(71) Applicant: **WenMeng Zhou**, Heyuan (CN)

(72) Inventor: **WenMeng Zhou**, Heyuan (CN)

(**) Term: **15 Years**

(21) Appl. No.: **29/869,622**

(22) Filed: **Jan. 5, 2023**

(51) **LOC (14) Cl.** **14-03**

(52) **U.S. Cl.**
USPC **D14/253**

(58) **Field of Classification Search**
USPC D13/108; D14/217, 250–253, 440, 447;
D12/223, 114, 415; D3/218
CPC H04M 1/02; H04M 1/04; H04M 1/11;
H04M 1/12; F16M 13/02; F16M 11/06;
F16M 13/00; B62J 11/00; B60R 11/02;
B60R 2325/205; A45C 2011/002
See application file for complete search history.

(56) **References Cited**

U.S. PATENT DOCUMENTS

D504,564 S *	5/2005	Robertson, Jr.	D3/218
D753,126 S *	4/2016	Alesi	D14/447
D770,171 S *	11/2016	Lai	D3/218
D934,557 S *	11/2021	Eremita	D3/218
D936,645 S *	11/2021	Deng	D12/114
D960,144 S *	8/2022	Yuan	D14/253
D960,145 S *	8/2022	Zhou	D14/253
D960,883 S	8/2022	Li	
D967,086 S *	10/2022	Wang	D14/253
D971,202 S *	11/2022	Wang	D14/253
2013/0037590 A1 *	2/2013	Yoon	B60R 11/02 224/483
2013/0244735 A1 *	9/2013	Bury	H02J 50/90 455/573
2014/0268622 A1 *	9/2014	Chao	H04M 1/04 248/309.4
2015/0137760 A1 *	5/2015	Yang	B60R 11/02 320/115

FOREIGN PATENT DOCUMENTS

CN	304863297	* 10/2018
JP	D1695987	* 9/2021

OTHER PUBLICATIONS

Andobil Bike Phone Mount, Aug. 8, 2022 [online], retrieved Feb. 8, 2023, retrieved from the internet URL: < https://www.amazon.com/dp/B0B8Z9J8GH/ref=sspa_dk_detail_2? > (Year: 2022).*

* cited by examiner

Primary Examiner — Janice Hallmark
Assistant Examiner — Rodolfo Castro, Jr.

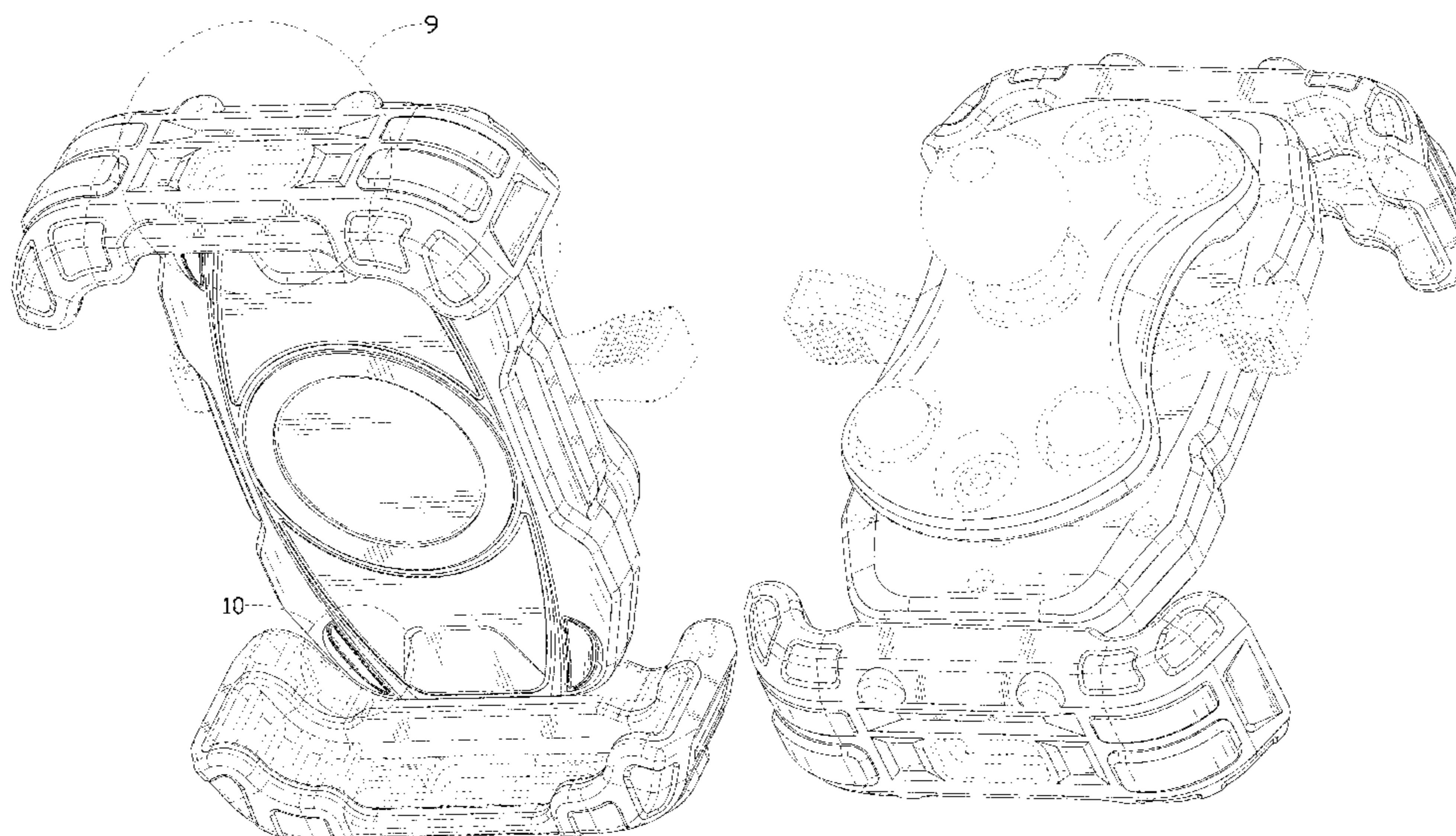
(57) **CLAIM**

The ornamental design for a mobile phone holder, as shown and described.

DESCRIPTION

FIG. 1 is a front and top perspective view of a mobile phone holder, showing my new design;
FIG. 2 is a rear and bottom perspective view thereof;
FIG. 3 is a front elevation view thereof;
FIG. 4 is a rear elevation view thereof;
FIG. 5 is a left side elevation view thereof;
FIG. 6 is a right side elevation view thereof;
FIG. 7 is a top plan view thereof;
FIG. 8 is a bottom plan view thereof;
FIG. 9 is an enlarged perspective view of detail “9” identified in FIG. 1;
FIG. 10 is an enlarged perspective view of detail “10” identified in FIG. 1;
FIG. 11 is an enlarged perspective view of detail “11” identified in FIG. 5; and,
FIG. 12 is an enlarged perspective view of detail “12” identified in FIG. 7.
The broken lines illustrate portions of the mobile phone holder that form no part of the claimed design.

1 Claim, 12 Drawing Sheets



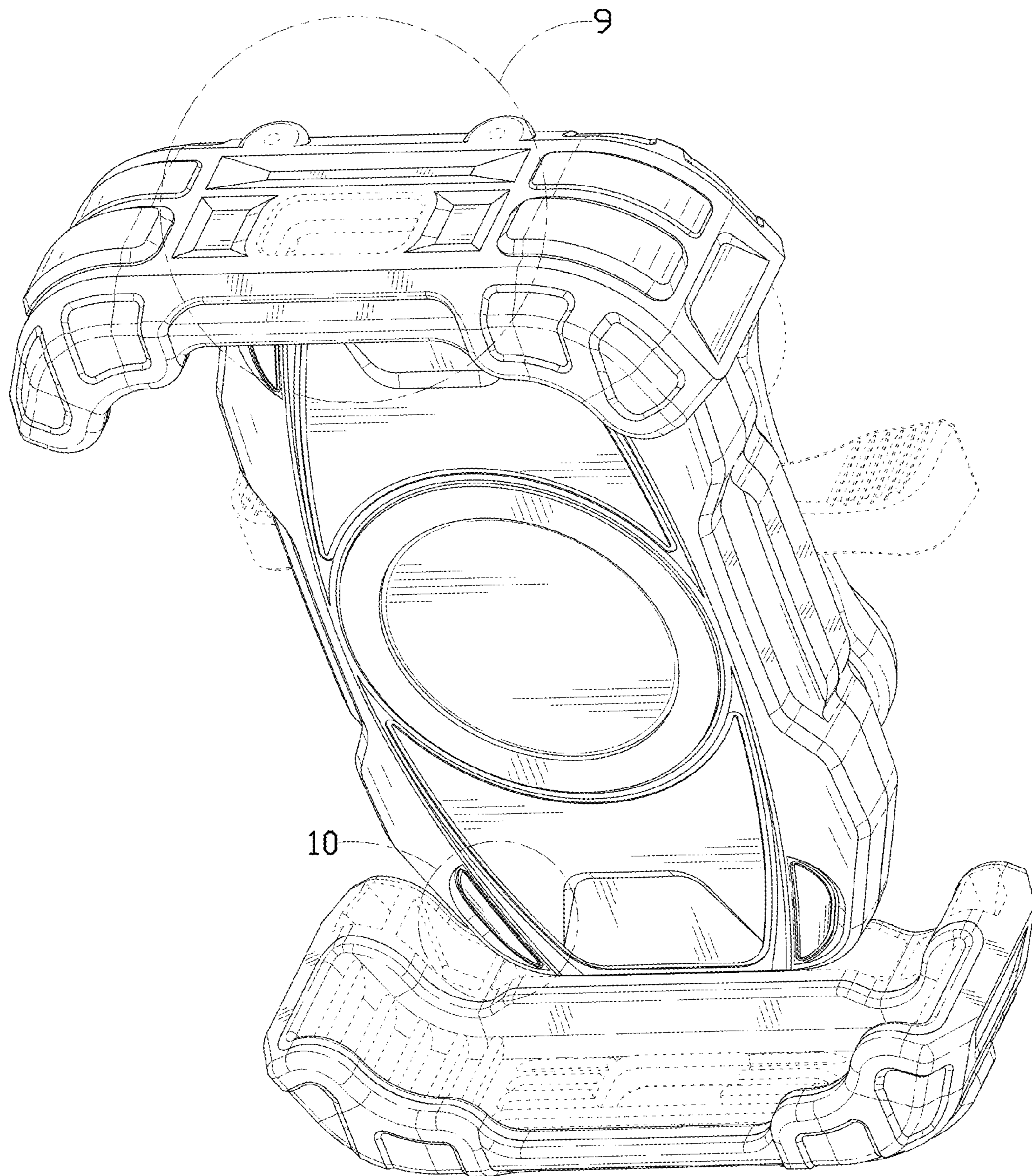


FIG. 1

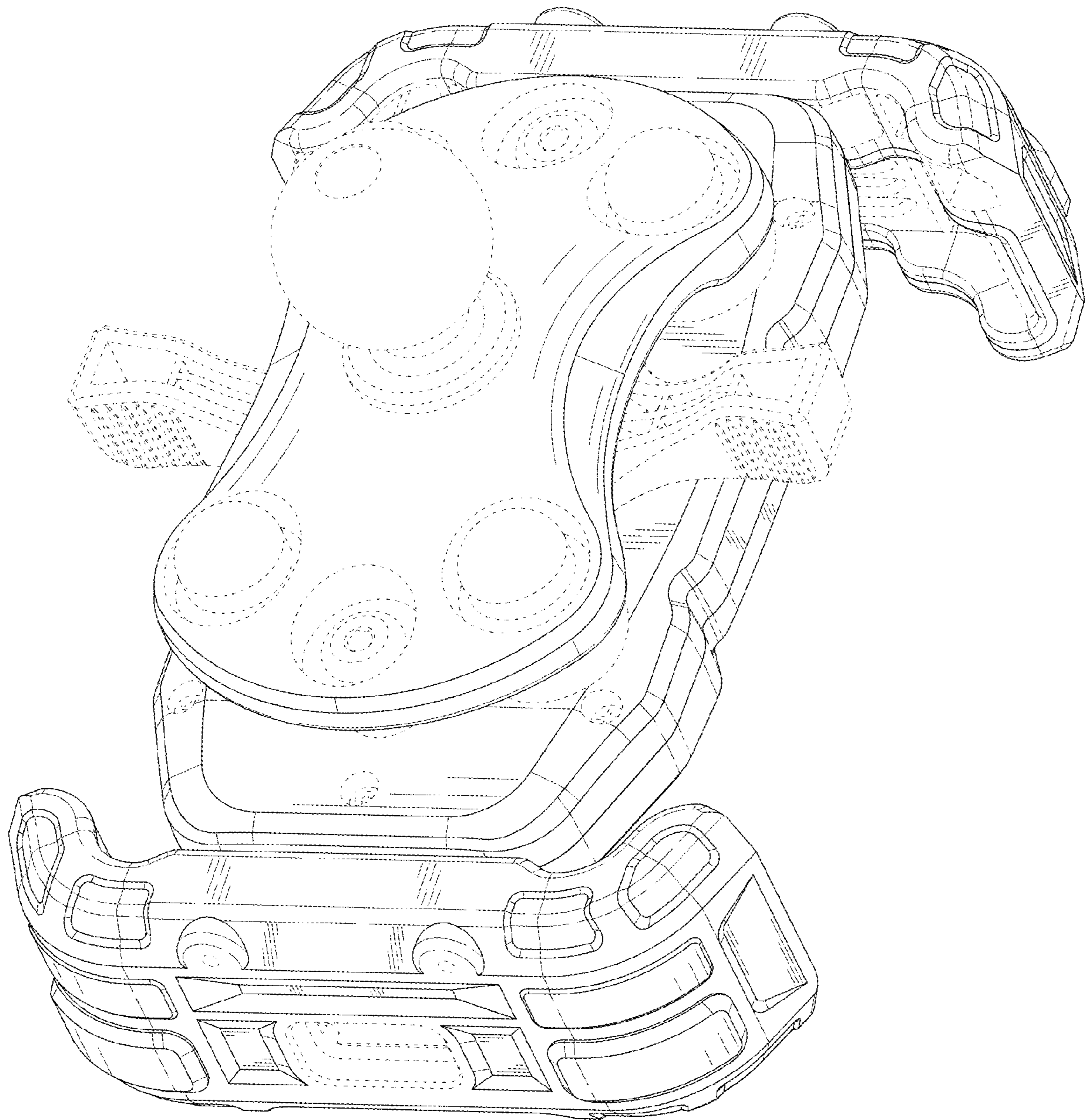


FIG. 2

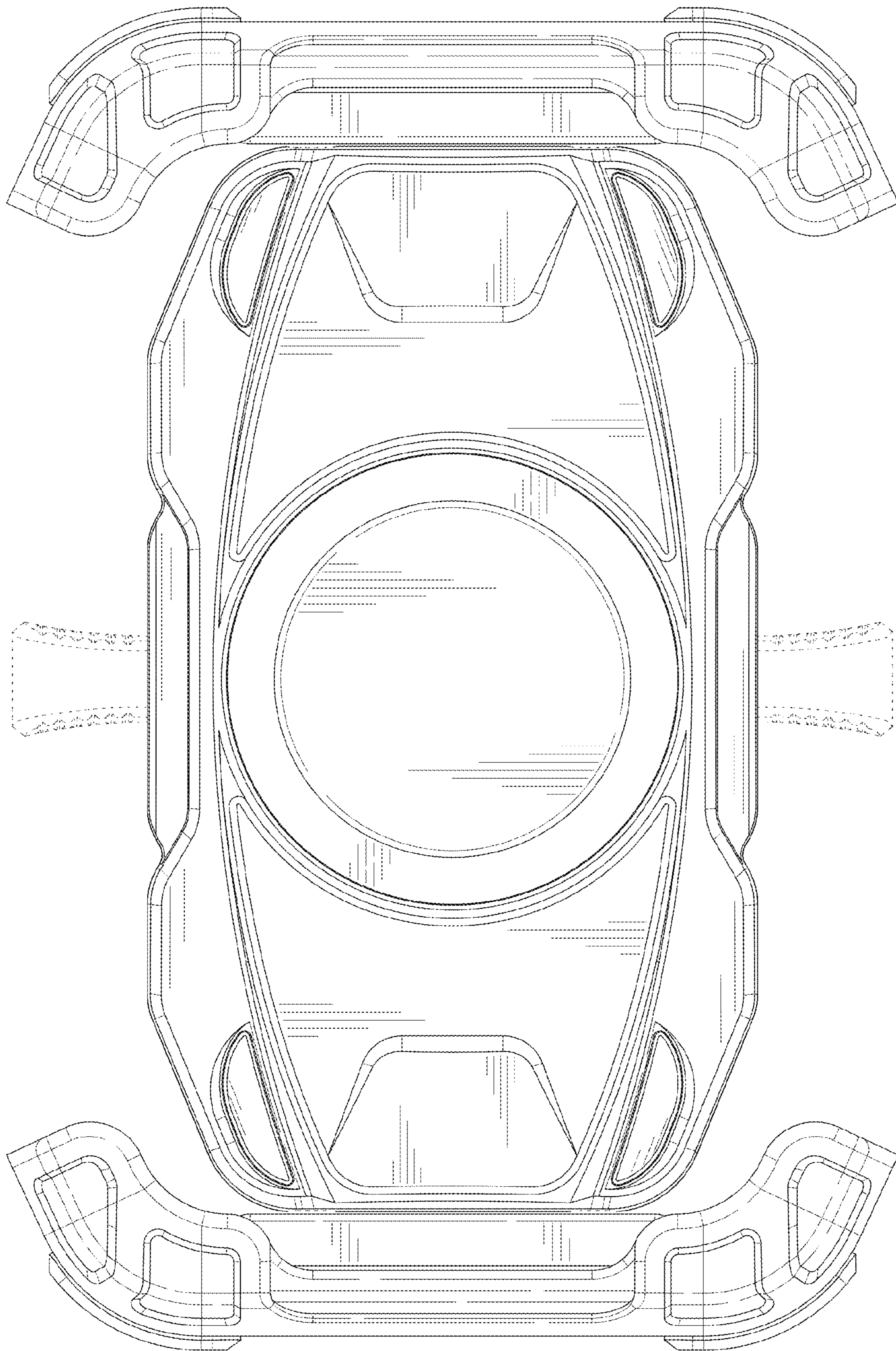


FIG. 3

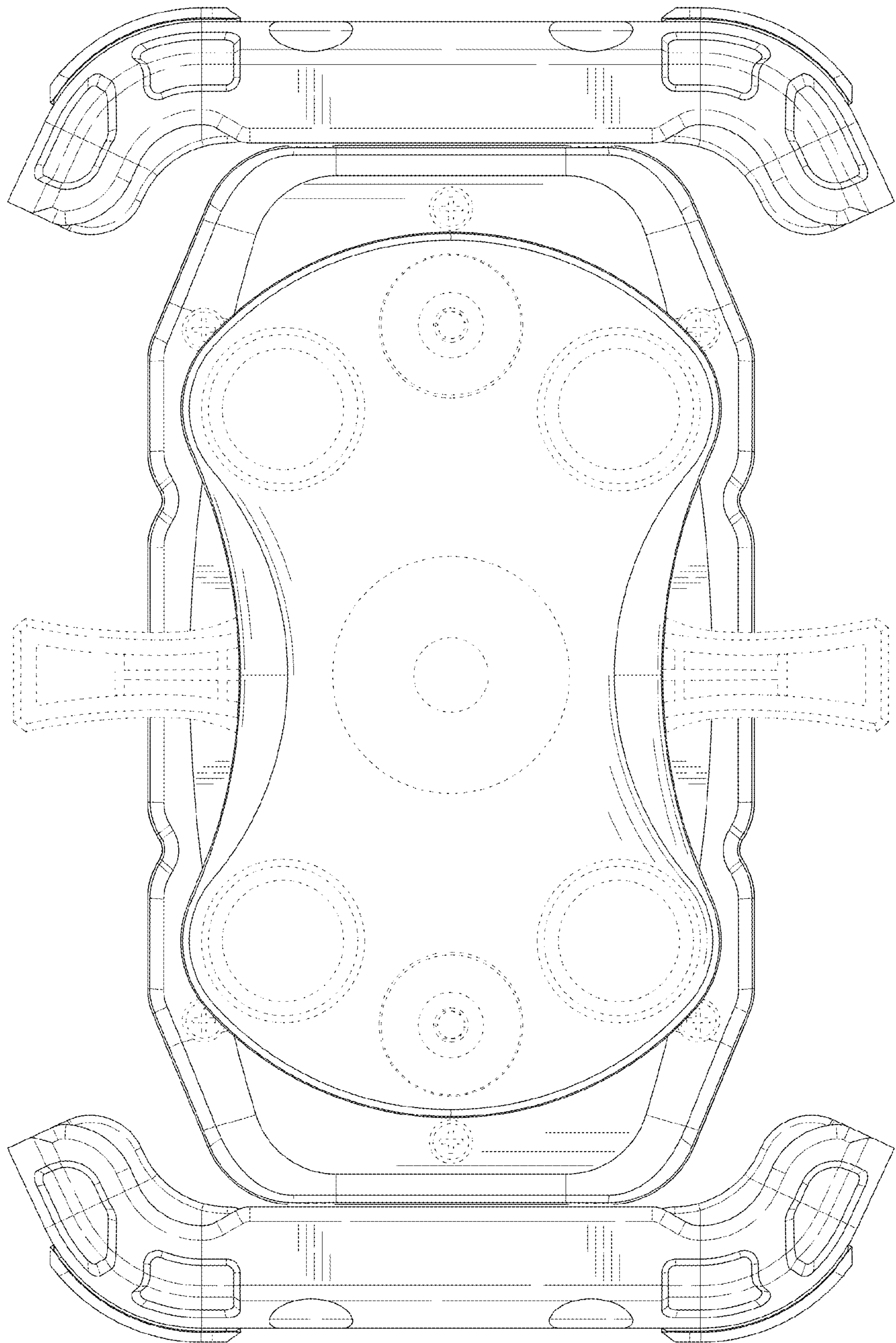


FIG. 4

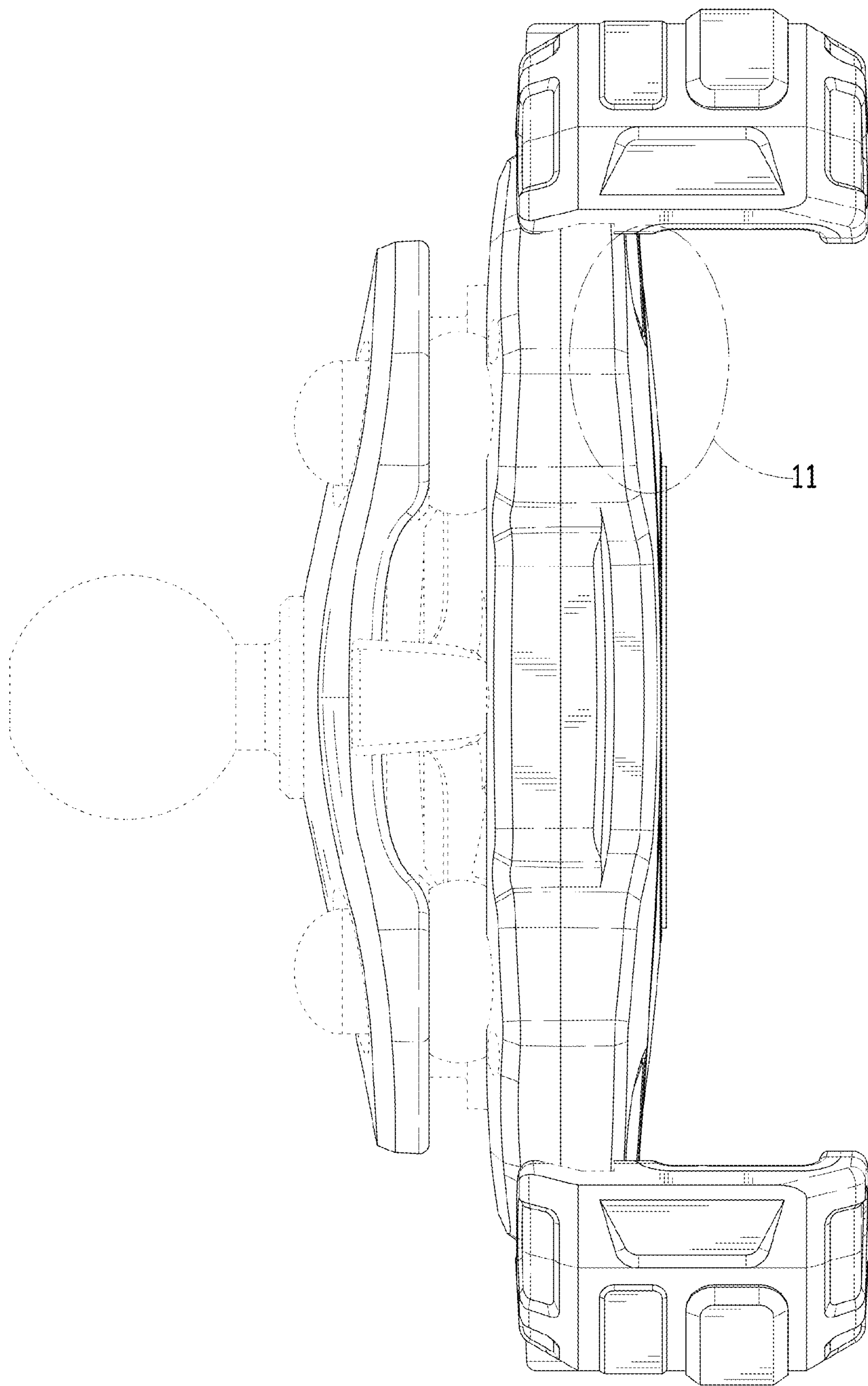


FIG. 5

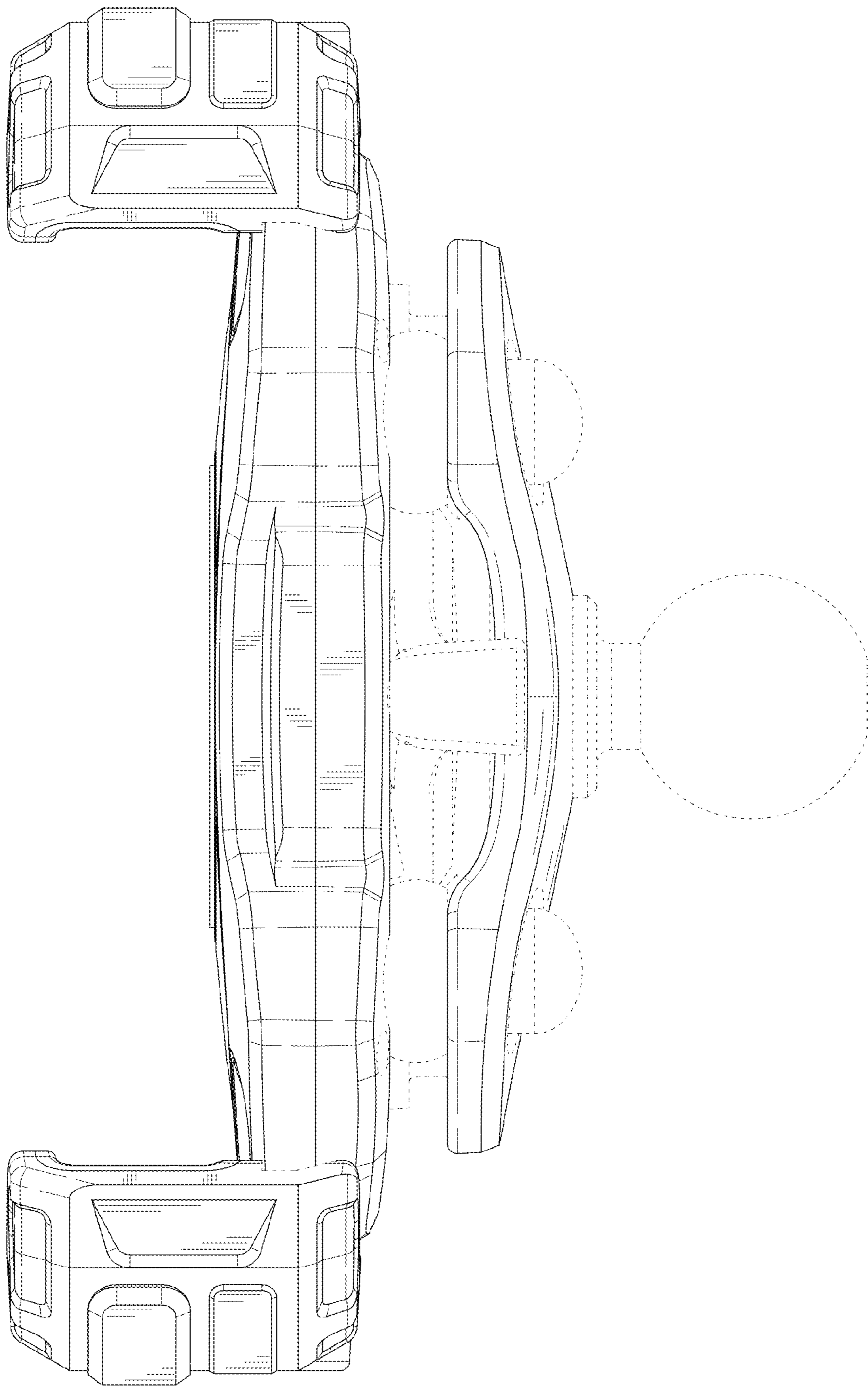


FIG. 6

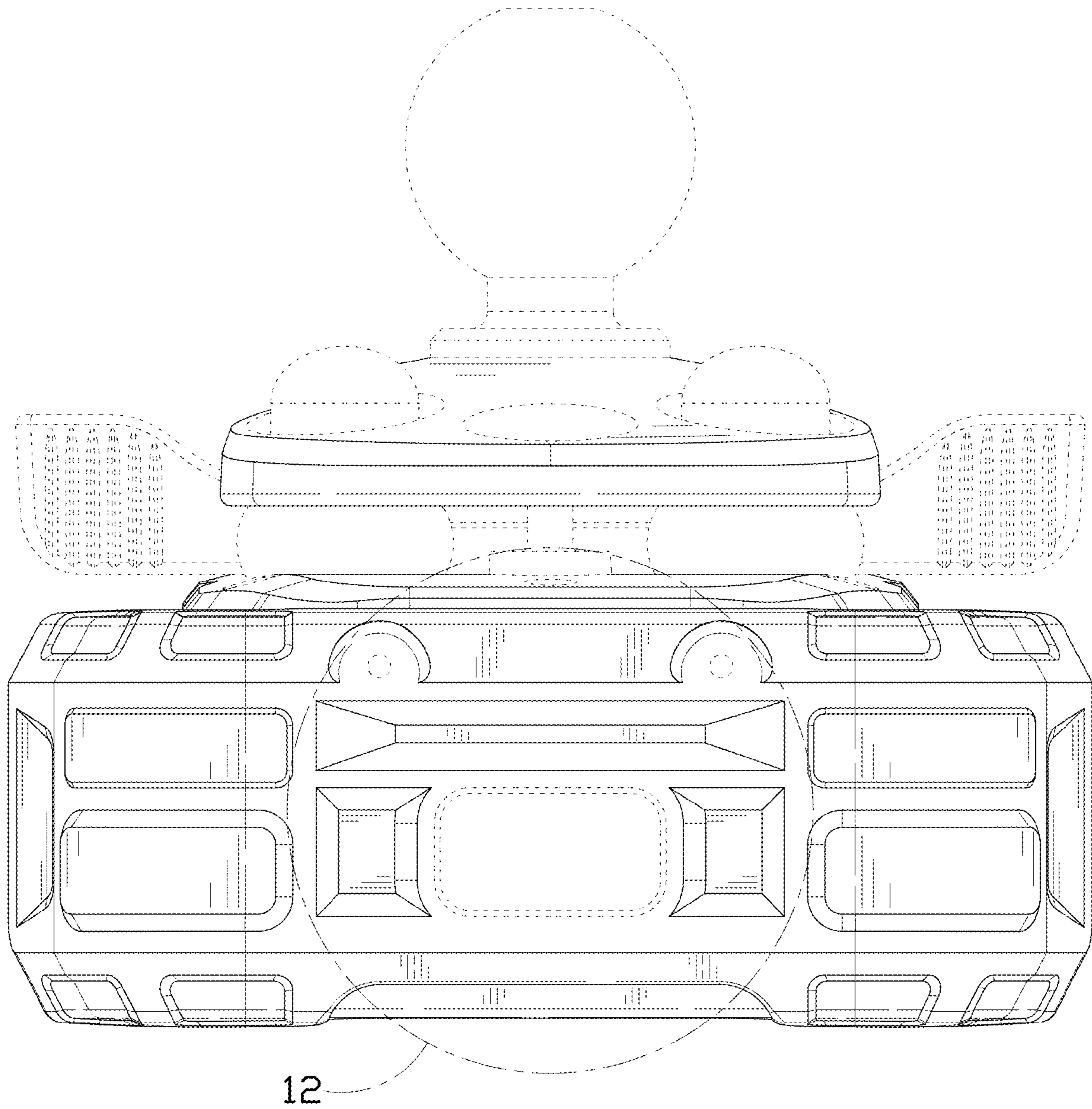


FIG. 7

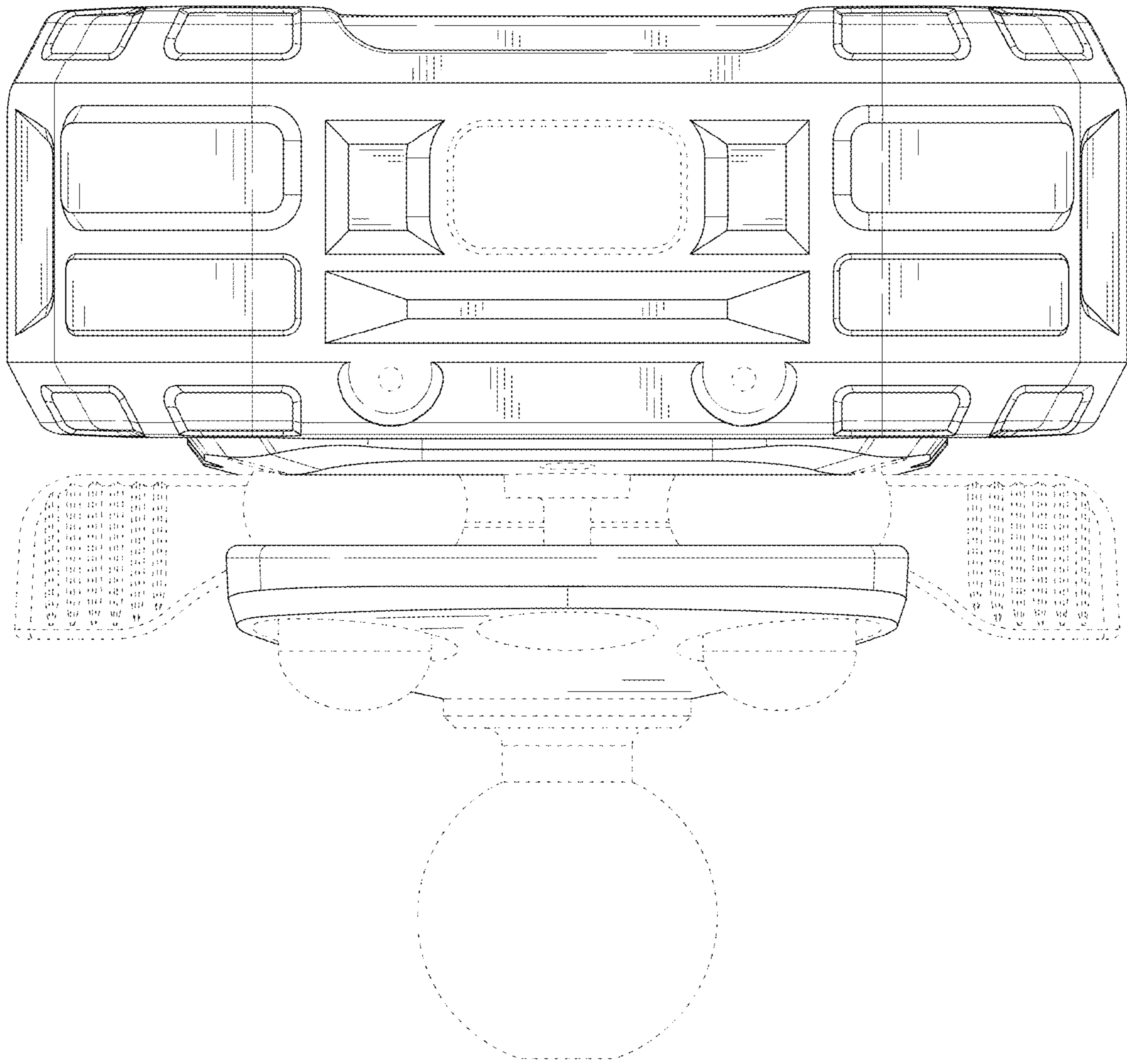


FIG. 8

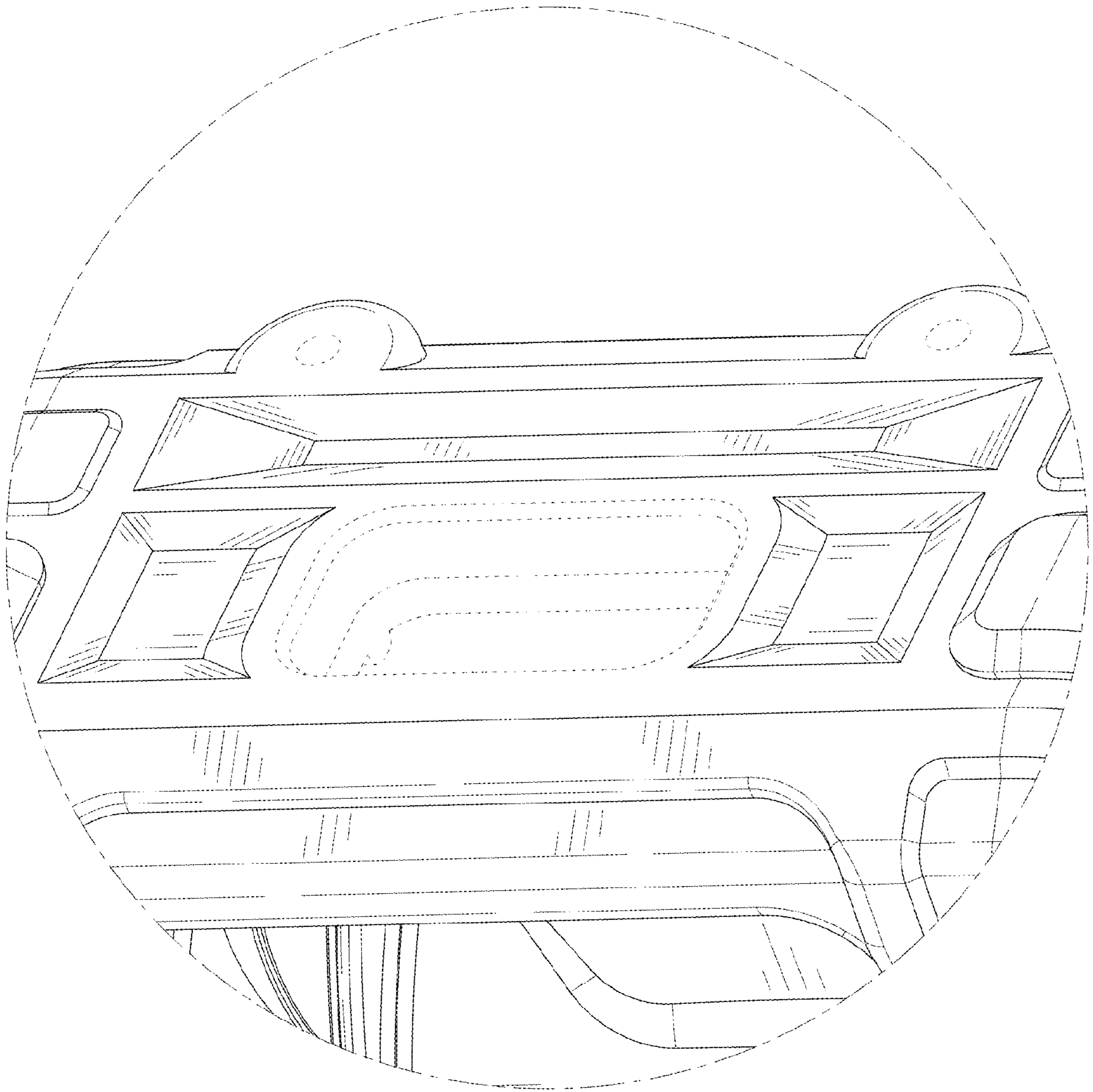


FIG. 9

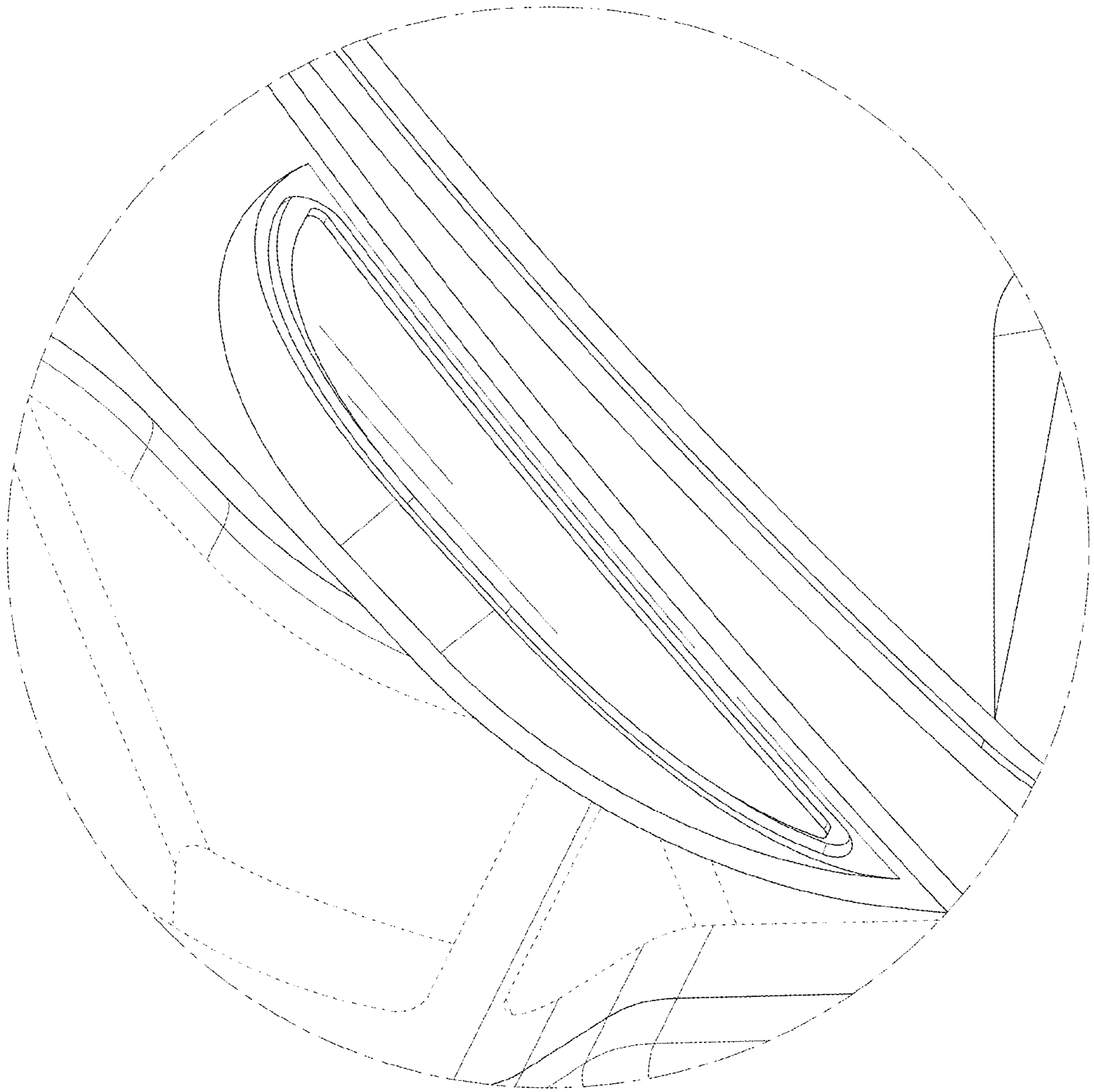


FIG. 10

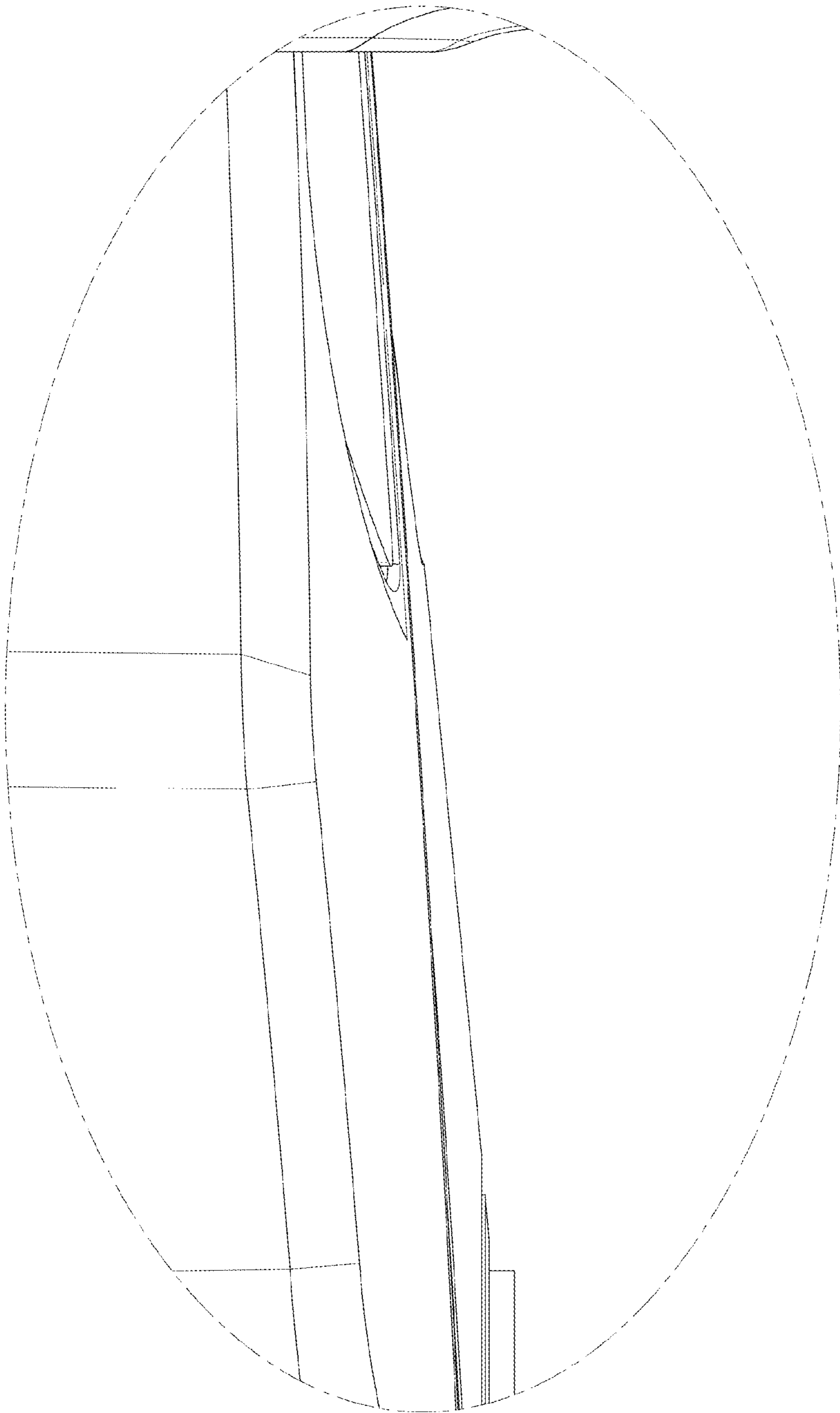


FIG. 11

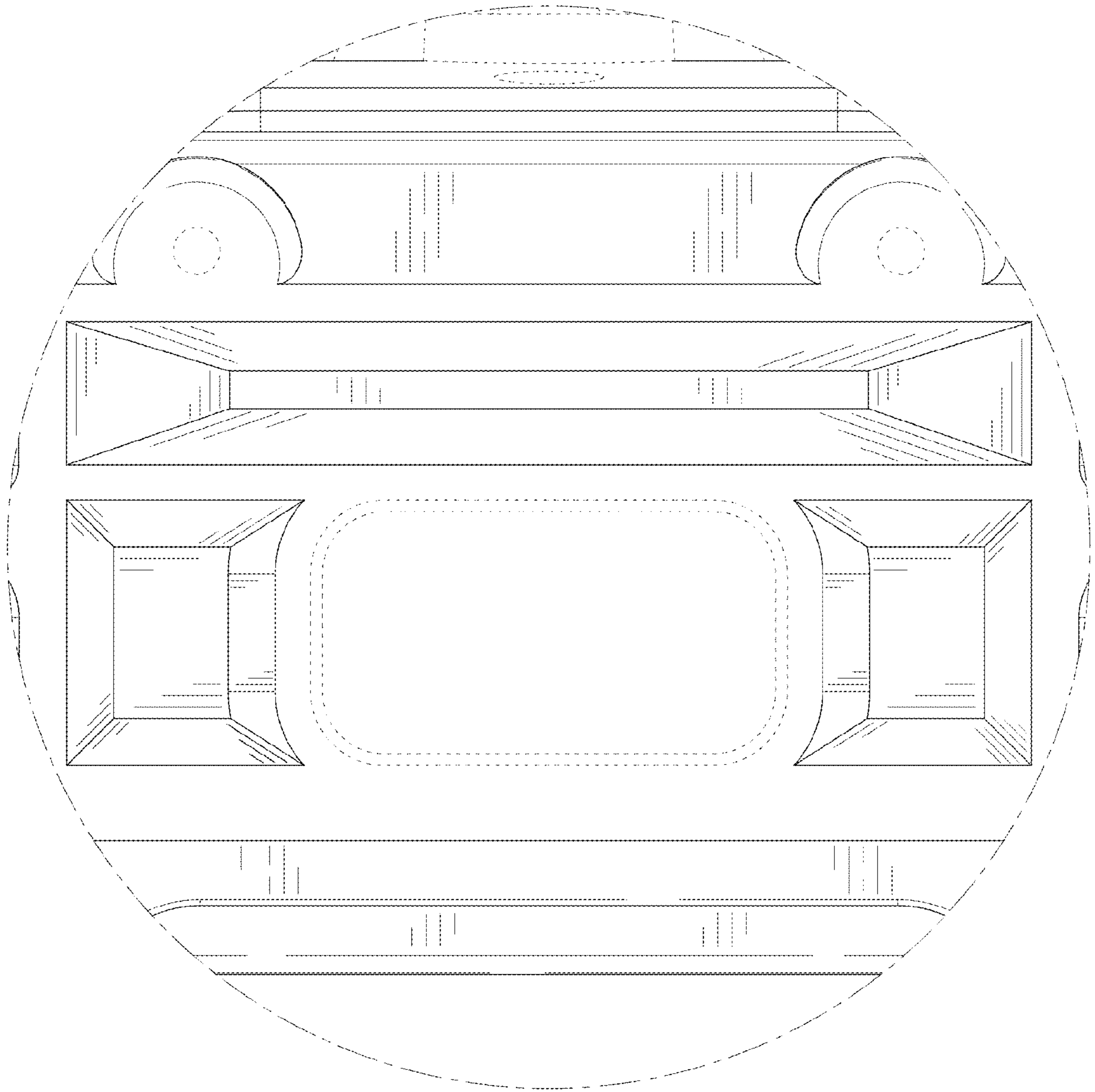


FIG. 12