



US00D986878S

(12) **United States Design Patent**
Zhou

(10) **Patent No.:** **US D986,878 S**

(45) **Date of Patent:** **** May 23, 2023**

(54) **MOBILE PHONE HOLDER**

(71) Applicant: **WenMeng Zhou**, Heyuan (CN)

(72) Inventor: **WenMeng Zhou**, Heyuan (CN)

(**) Term: **15 Years**

(21) Appl. No.: **29/869,365**

(22) Filed: **Dec. 29, 2022**

(51) **LOC (14) Cl.** **14-03**

(52) **U.S. Cl.**
USPC **D14/253**

(58) **Field of Classification Search**
USPC D13/108; D14/217, 250–253, 440, 447;
D12/223, 114, 415; D3/218
CPC H04M 1/02; H04M 1/04; H04M 1/11;
H04M 1/12; F16M 13/02; F16M 11/06;
F16M 13/00; B62J 11/00; B60R 11/02;
B60R 2325/205; A45C 2011/002

See application file for complete search history.

(56) **References Cited**

U.S. PATENT DOCUMENTS

| | | | | |
|---------------|--------|----------|-------|----------------------|
| 5,615,258 A * | 3/1997 | Ho | | H04M 1/04 379/454 |
| D685,804 S * | 7/2013 | Richter | | D14/447 |
| D750,060 S * | 2/2016 | Brassard | | D14/253 |
| D881,551 S * | 4/2020 | Feng | | D14/447 |
| D949,842 S * | 4/2022 | Qiu | | D12/407 |
| D960,883 S | 8/2022 | Li | | |

FOREIGN PATENT DOCUMENTS

| | | | |
|----|----------------|---|---------|
| EM | 002550996-0001 | * | 10/2014 |
| GB | 6140342 | * | 6/2021 |

OTHER PUBLICATIONS

A quick-release motorcycle phone holder that's tough and secure, May 18, 2020 [online], retrieved Feb. 8, 2023, retrieved from the internet URL: < <https://www.advpulse.com/uncategorized/ram-quick-grip-motorcycle-phone-holder-review/> > (Year: 2020).*
Phone Holder for Motorcycle GTV-8-9-J, date not known [online], retrieved Feb. 8, 2023, retrieved from the internet URL: < <https://grandtour-shop.com/product/phone-holder-for-motorcycle-gtv-8-9-j/> > (Year: 2023).*

* cited by examiner

Primary Examiner — Janice Hallmark
Assistant Examiner — Rodolfo Castro, Jr.

(57) **CLAIM**

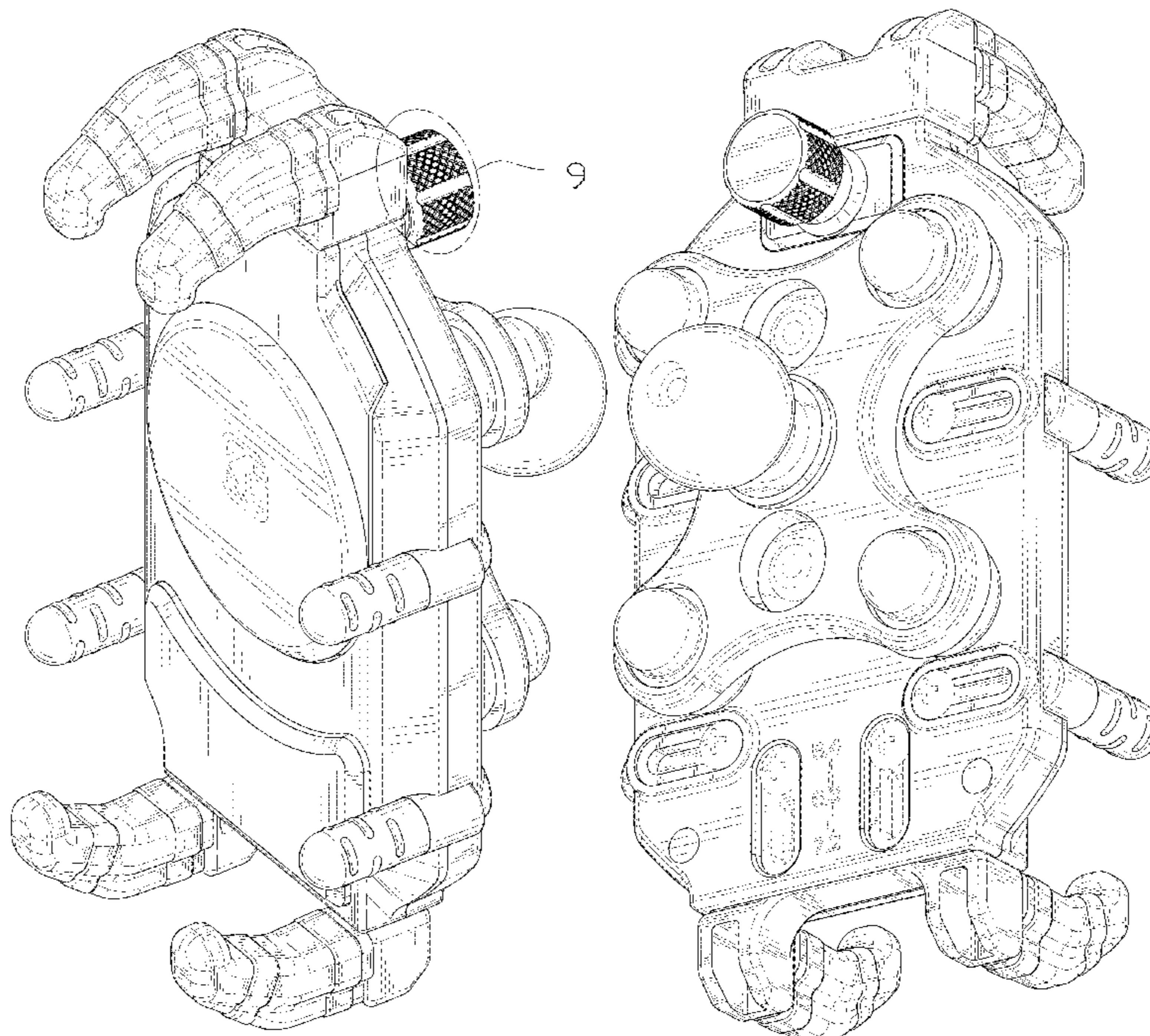
The ornamental design for a mobile phone holder, as shown and described.

DESCRIPTION

FIG. 1 is a front and top perspective view of a mobile phone holder, showing my new design;
FIG. 2 is a rear and bottom perspective view thereof;
FIG. 3 is a front elevation view thereof;
FIG. 4 is a rear elevation view thereof;
FIG. 5 is a left side elevation view thereof;
FIG. 6 is a right side elevation view thereof;
FIG. 7 is a top plan view thereof;
FIG. 8 is a bottom plan view thereof; and,
FIG. 9 is an enlarged perspective view of detail "9" identified in FIG. 1.

The broken lines illustrate portions of the mobile phone holder that form no part of the claimed design.

1 Claim, 9 Drawing Sheets



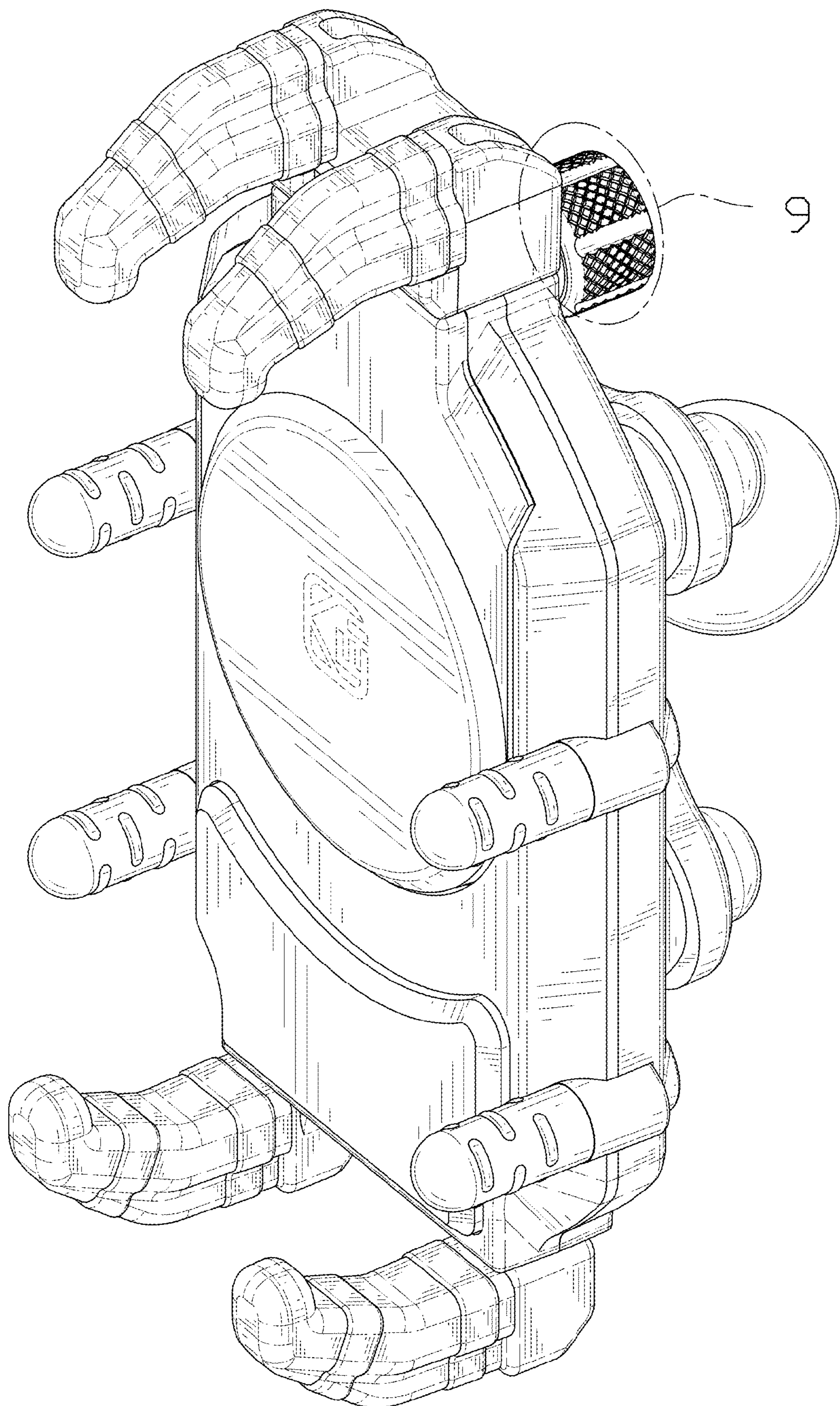


FIG. 1

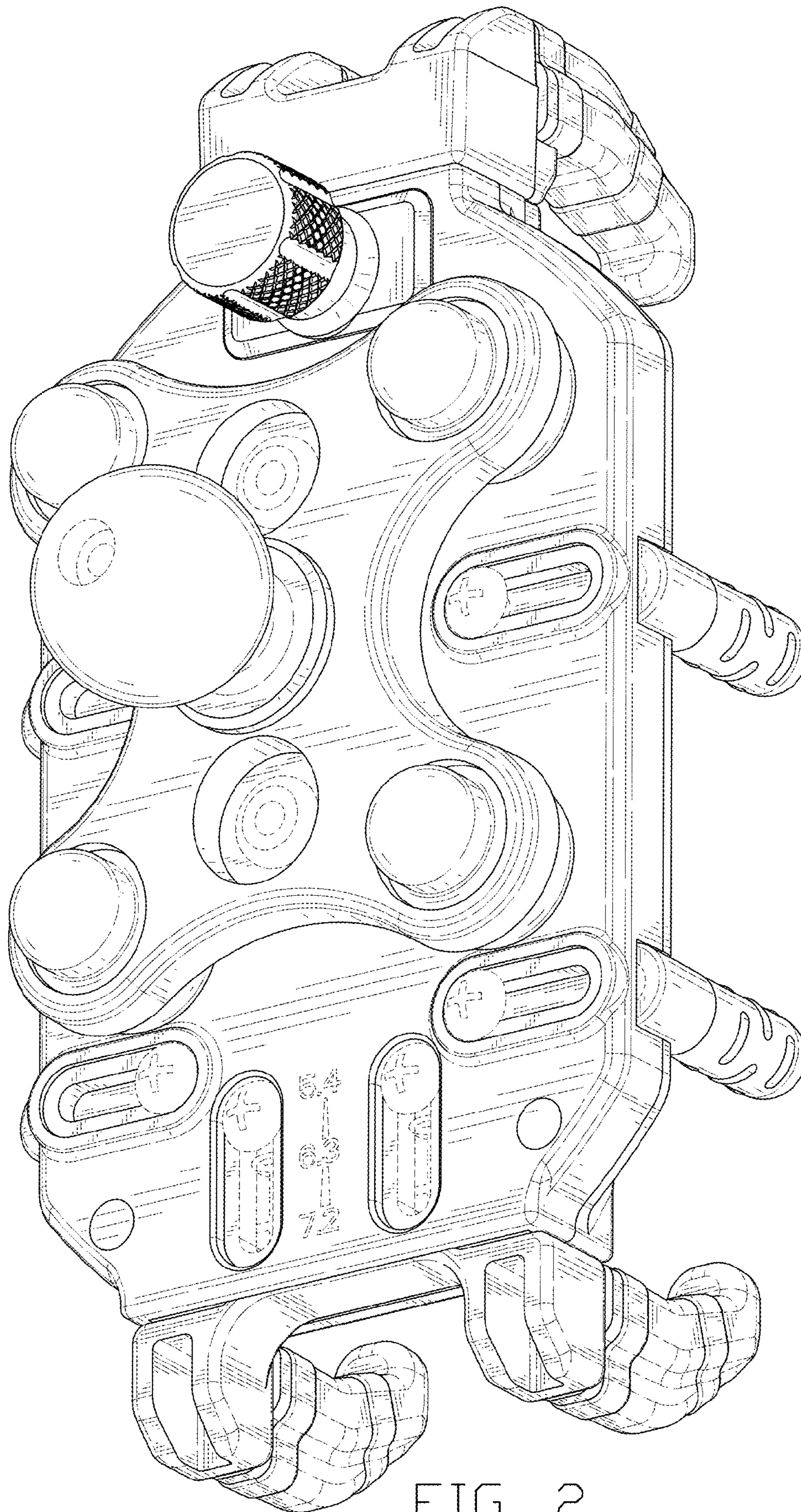


FIG. 2

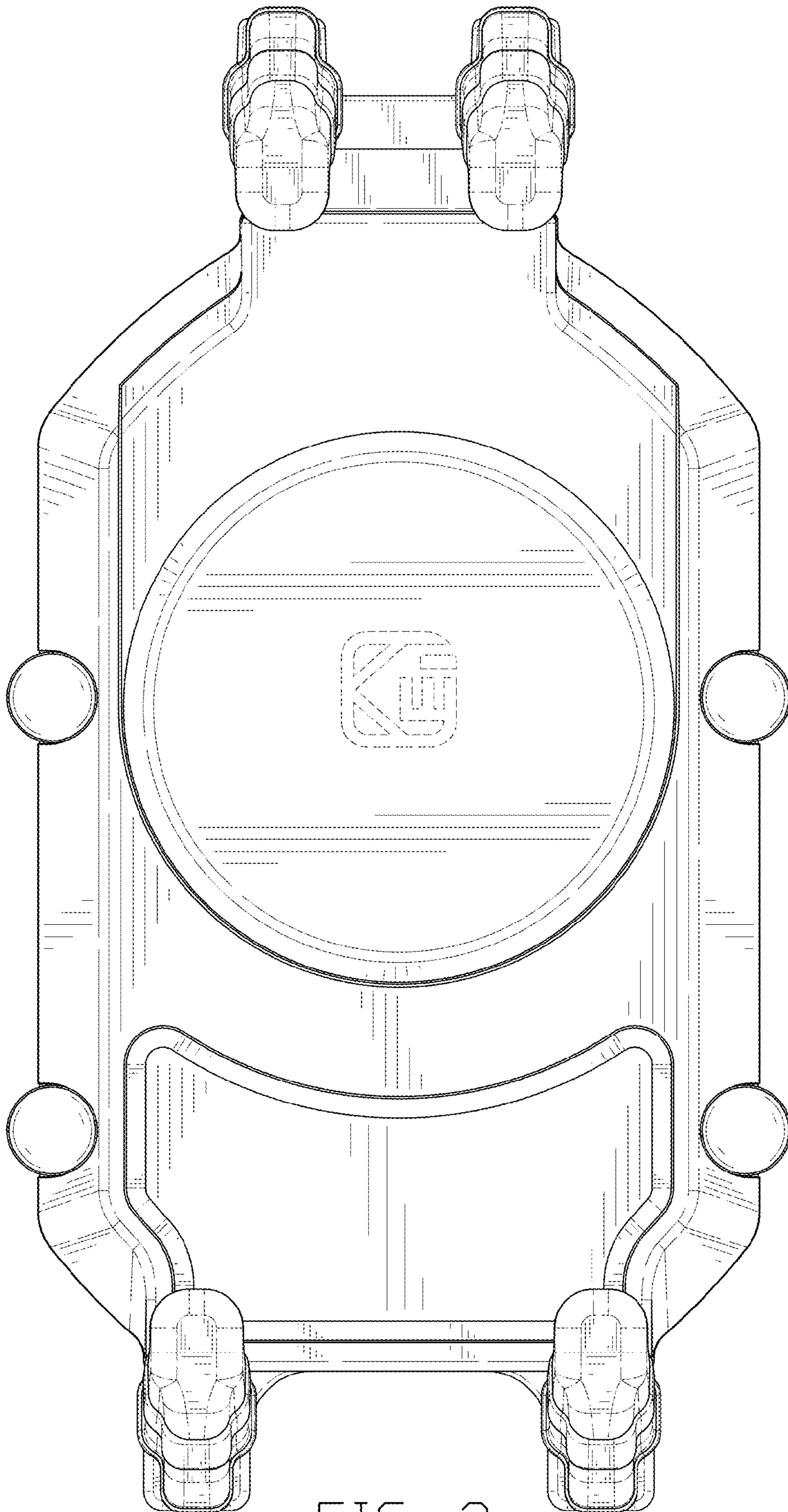


FIG. 3

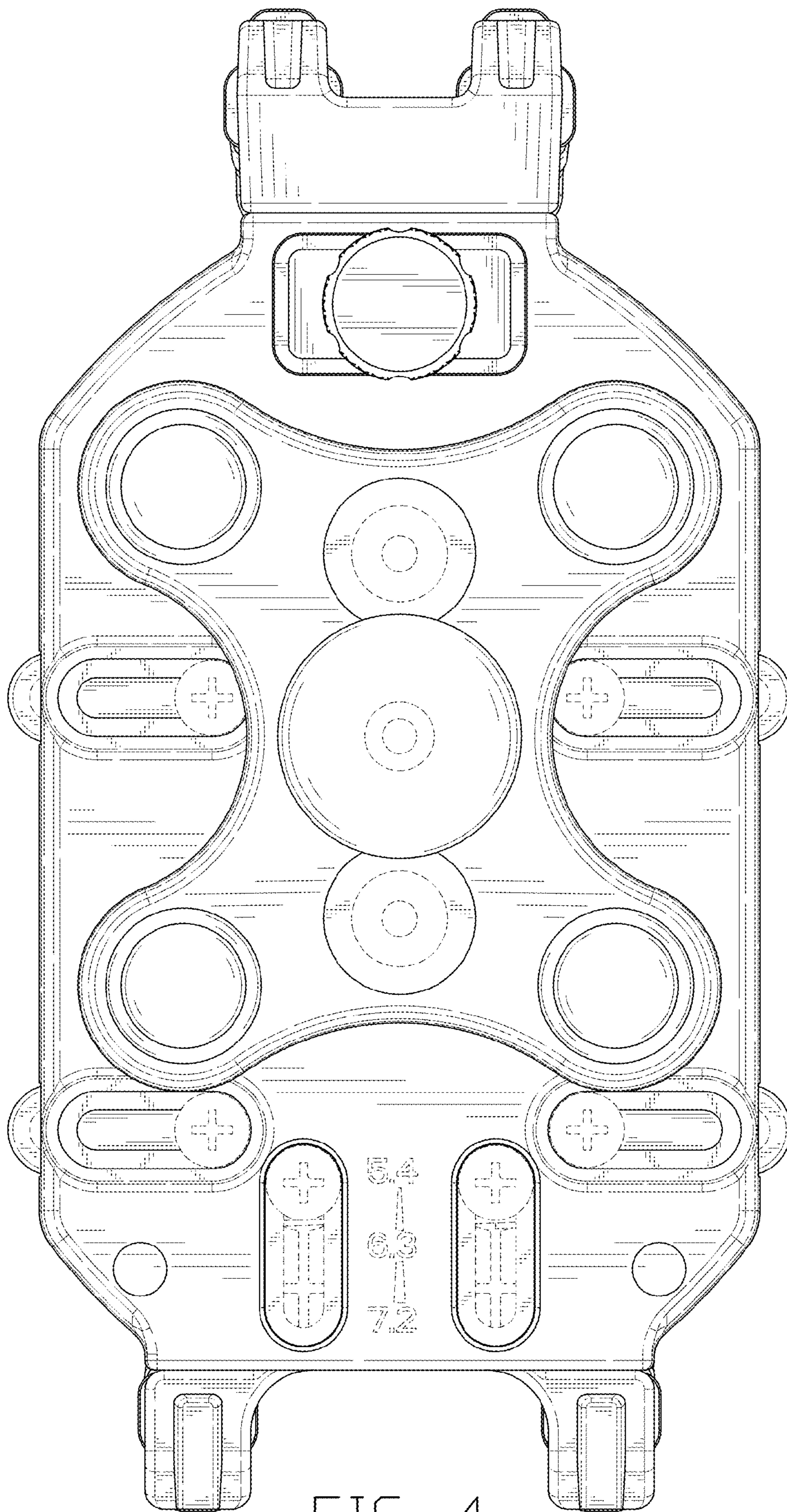


FIG. 4

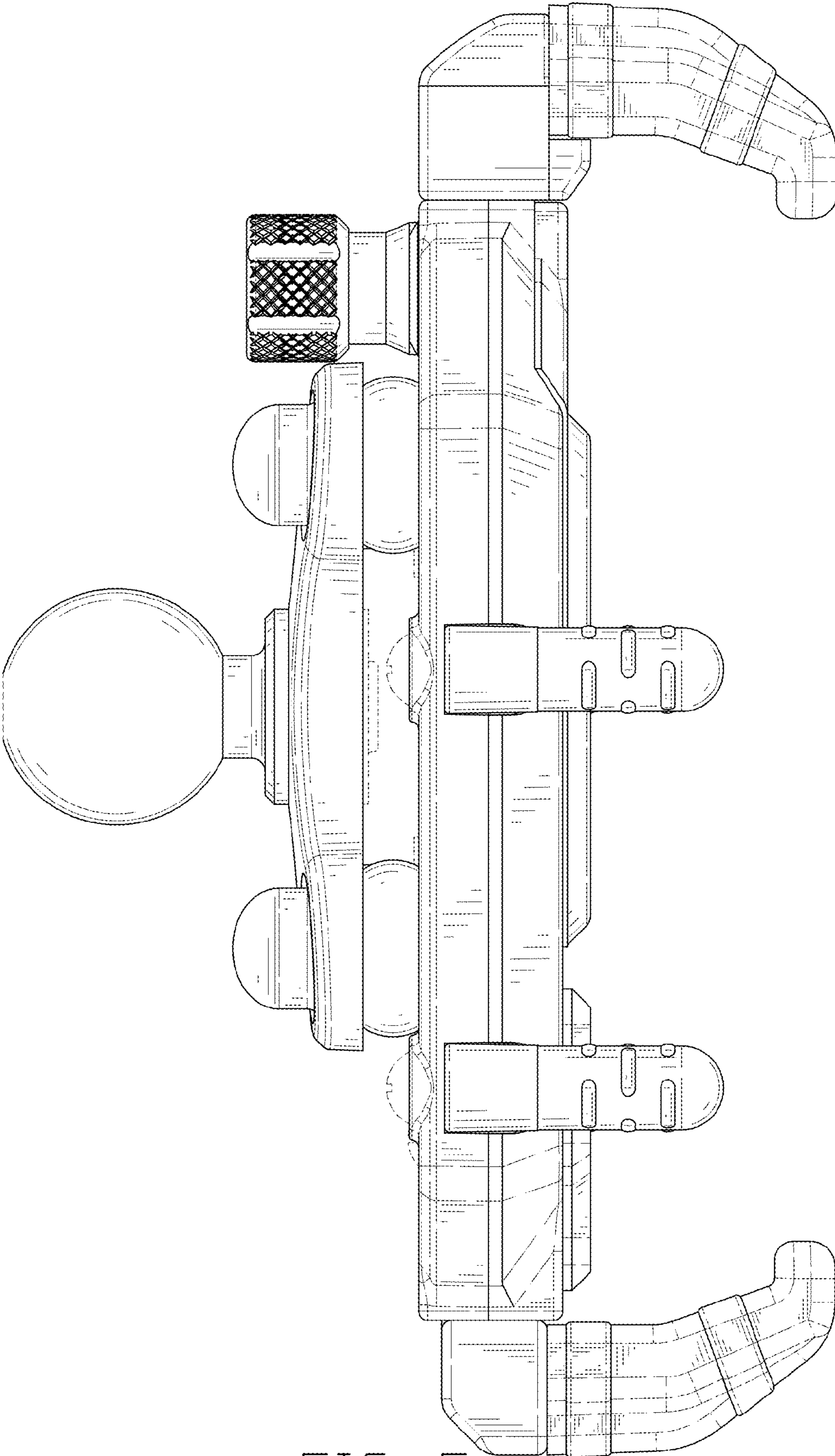


FIG. 5

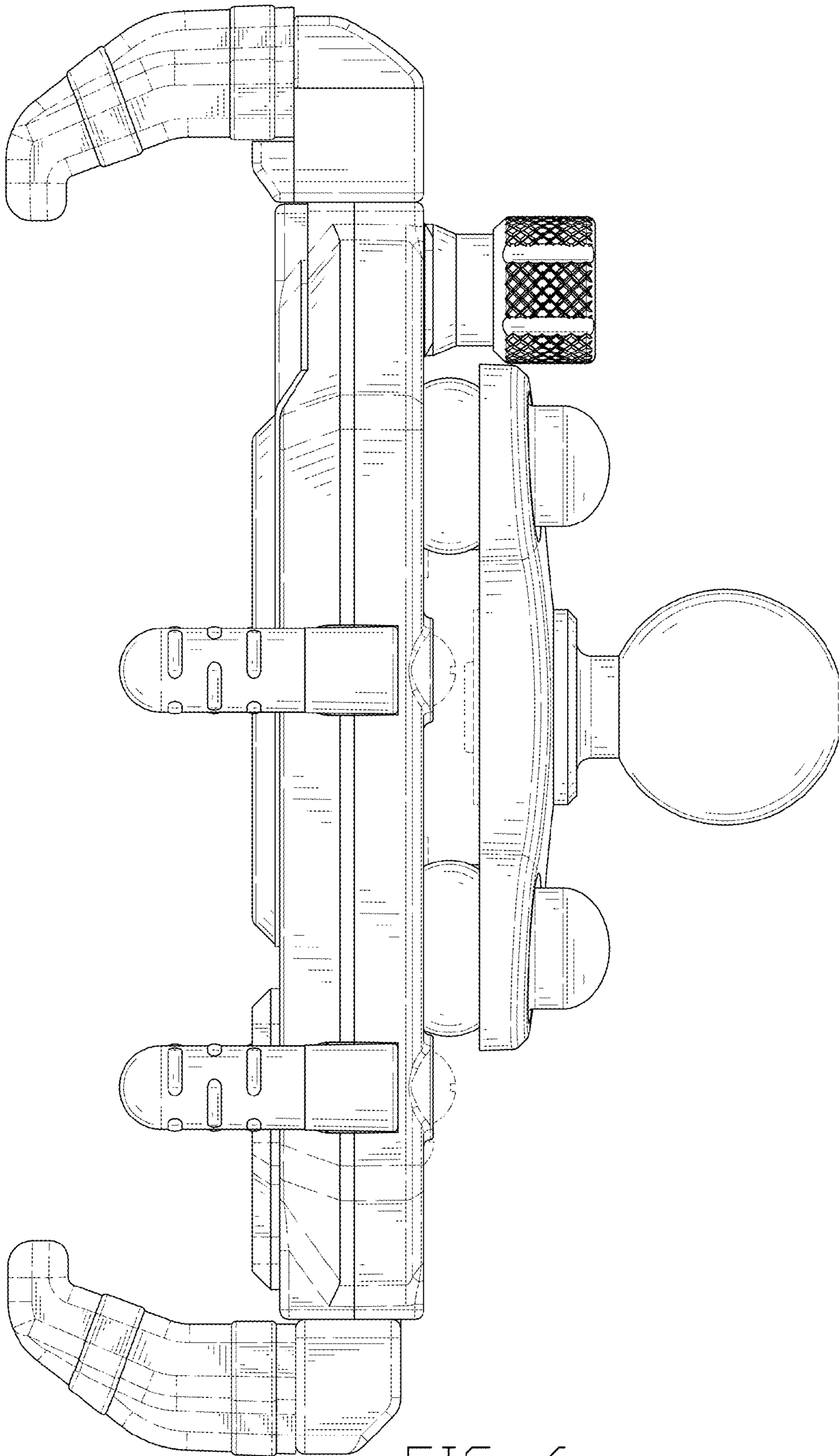


FIG. 6

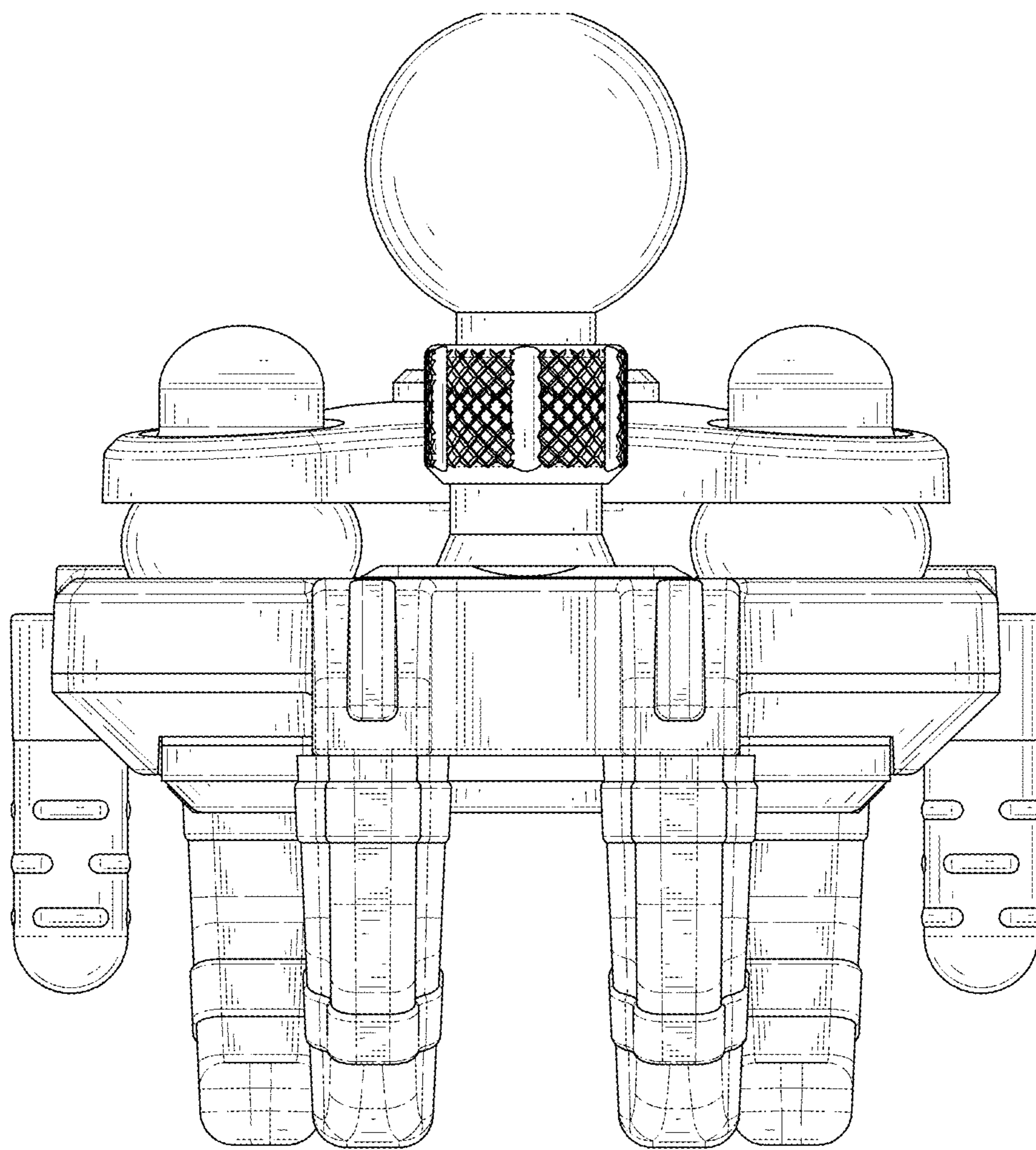


FIG. 7

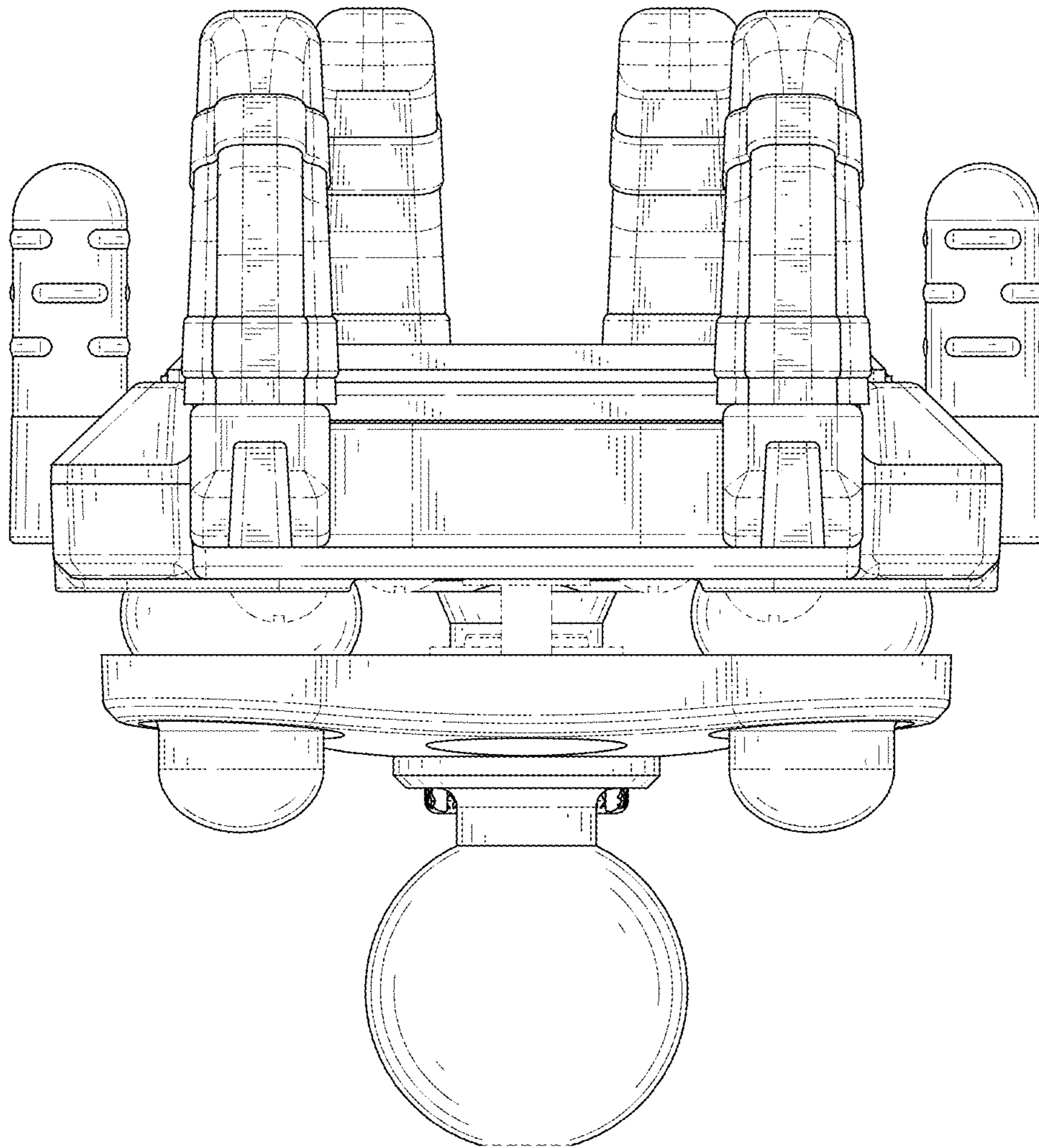


FIG. 8

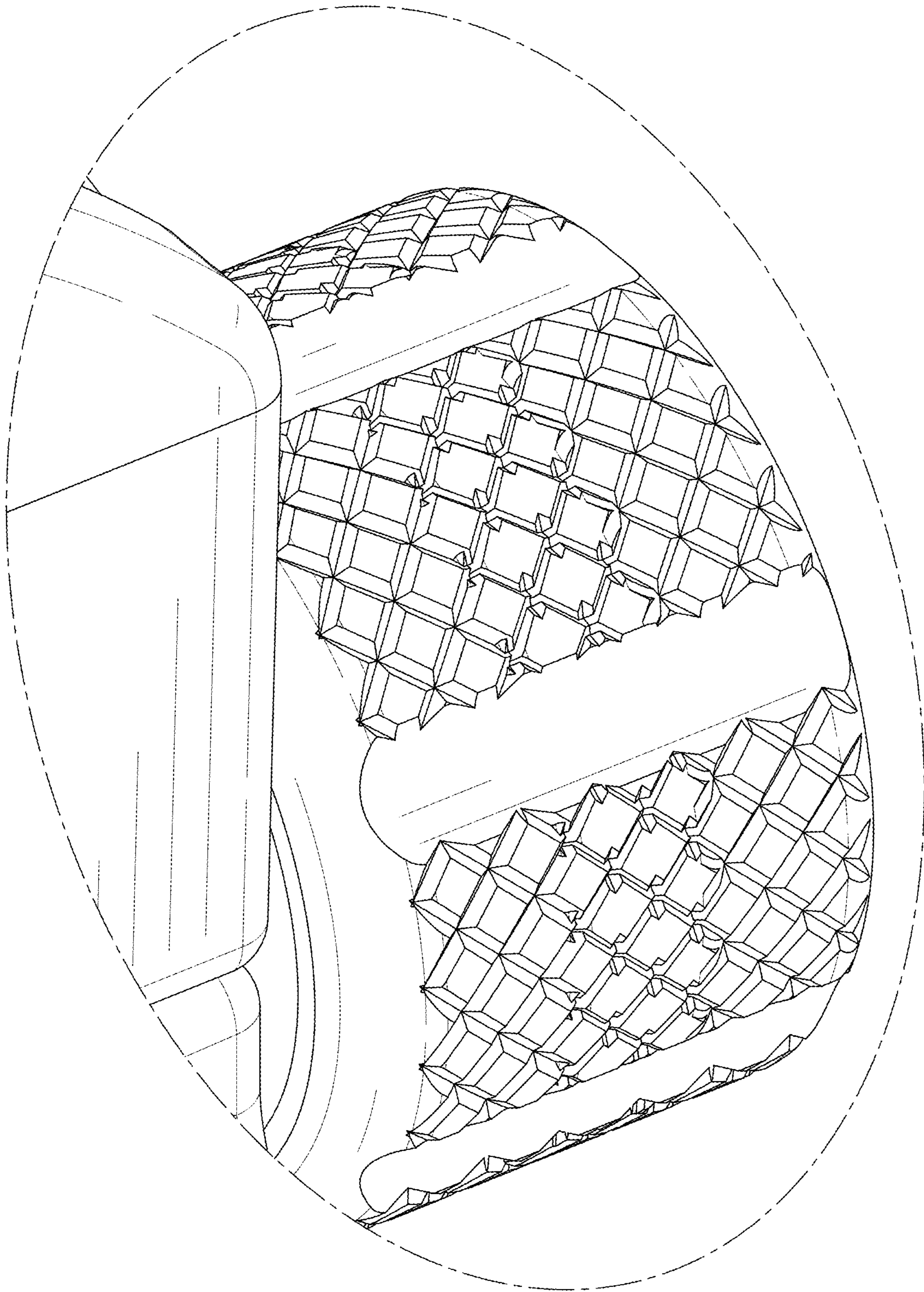


FIG. 9