



US00D986877S

(12) **United States Design Patent**  
**Qiu**

(10) **Patent No.:** **US D986,877 S**

(45) **Date of Patent:** **\*\* May 23, 2023**

(54) **PHONE HOLDER**

(71) Applicant: **Shenzhen GUB Bike Trading Co., Ltd.**, Shenzhen (CN)

(72) Inventor: **Yaofeng Qiu**, Shenzhen (CN)

(73) Assignee: **SHENZHEN GUB BIKE TRADING CO., LTD.**, Shenzhen (CN)

(\*\*) Term: **15 Years**

(21) Appl. No.: **29/785,955**

(22) Filed: **May 28, 2021**

(51) **LOC (14) Cl.** ..... **14-03**

(52) **U.S. Cl.**  
USPC ..... **D14/253**

(58) **Field of Classification Search**  
USPC ..... D14/251–253, 447; D13/108; D12/415  
CPC ..... H04M 1/04; H04M 1/21; H04M 1/06;  
H04M 1/12; G06F 1/1632; G06F 1/203;  
G06F 1/1628  
See application file for complete search history.

(56) **References Cited**

**U.S. PATENT DOCUMENTS**

D666,614	S	*	9/2012	Ding	.....	D14/253
D685,366	S	*	7/2013	Ding	.....	D14/253
D686,200	S	*	7/2013	Huang	.....	D14/253
D686,609	S	*	7/2013	Kadivar	.....	D14/253
D729,223	S	*	5/2015	Haarburger	.....	D14/253
D730,091	S	*	5/2015	Chan	.....	D6/681
9,671,057	B2	*	6/2017	Lin	.....	F16M 11/10
9,730,345	B2	*	8/2017	Wu	.....	F16M 13/00
D809,289	S	*	2/2018	DeChant	.....	D3/247
D839,867	S	*	2/2019	Zhao	.....	D14/253
D839,869	S	*	2/2019	Wang	.....	D14/447
D863,291	S	*	10/2019	Shi	.....	D14/253
10,563,812	B2	*	2/2020	Chen	.....	F16M 11/041
D878,751	S	*	3/2020	DeChant	.....	D3/247

10,656,364	B2	*	5/2020	Lin	.....	H01F 7/02
RE48,041	E	*	6/2020	Wu	.....	G06F 1/16
D904,388	S	*	12/2020	Martin	.....	D14/253
D907,628	S	*	1/2021	Feng	.....	D14/253
D908,688	S	*	1/2021	Zhang	.....	D14/253
D912,036	S	*	3/2021	Zhang	.....	D14/253
D912,654	S	*	3/2021	Weng	.....	D14/253
10,935,182	B2	*	3/2021	Lin	.....	F16M 13/005
D929,393	S	*	8/2021	Chen	.....	D14/253
D929,986	S	*	9/2021	Chen	.....	D14/253
D930,642	S	*	9/2021	Chen	.....	D14/253
D934,228	S	*	10/2021	Patterson	.....	D14/447
D934,230	S	*	10/2021	He	.....	D14/447
D937,775	S	*	12/2021	Maloney	.....	D13/108
D944,806	S	*	3/2022	Zhang	.....	D14/251
11,290,585	B2	*	3/2022	Lin	.....	H04M 1/04
D948,519	S	*	4/2022	Zhou	.....	D14/447
D949,140	S	*	4/2022	He	.....	D14/447
D951,261	S	*	5/2022	Zhou	.....	D14/447
D952,641	S	*	5/2022	Zhong	.....	D14/440

(Continued)

*Primary Examiner* — Janice Hallmark

(57) **CLAIM**

The ornamental design for a phone holder, as shown and described.

**DESCRIPTION**

FIG. 1 is a perspective view of a phone holder showing my new design;

FIG. 2 is another perspective view thereof;

FIG. 3 is a front elevational view thereof;

FIG. 4 is a rear elevational view thereof;

FIG. 5 is a left side elevational view thereof;

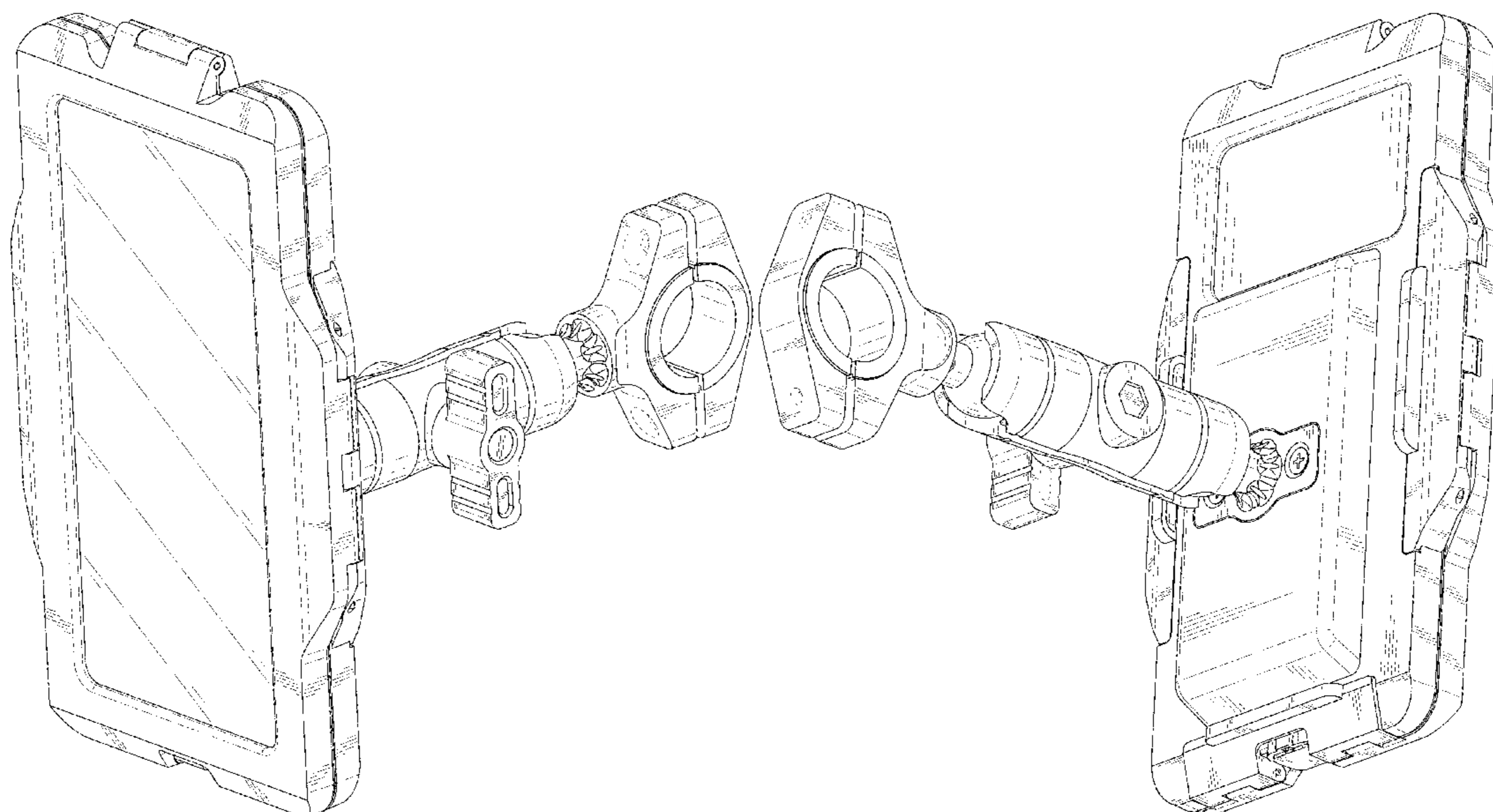
FIG. 6 is a right side elevational view thereof;

FIG. 7 is a top plan view thereof; and,

FIG. 8 is a bottom plan view thereof.

The broken lines in the drawings are for the purpose of illustrating portions of the phone holder that form no part of the claimed design.

**1 Claim, 8 Drawing Sheets**



(56)

**References Cited**

U.S. PATENT DOCUMENTS

11,359,761	B2 *	6/2022	Liu	.....	F16M 11/10
D963,571	S *	9/2022	Peng	.....	D13/107
D964,343	S *	9/2022	Nguyen	.....	D14/447
D966,274	S *	10/2022	Yu	.....	D14/447
D966,275	S *	10/2022	Yu	.....	D14/447
2016/0377220	A1 *	12/2016	Lin	.....	F16M 11/10
					248/176.3
2020/0208773	A1 *	7/2020	Lin	.....	F16M 13/005
2021/0014348	A1 *	1/2021	Lin	.....	G06F 1/166
2022/0202179	A1 *	6/2022	Lin	.....	F16M 11/10
2022/0205585	A1 *	6/2022	Lin	.....	F16M 11/10
2022/0228703	A1 *	7/2022	Lin	.....	F16M 11/10

\* cited by examiner

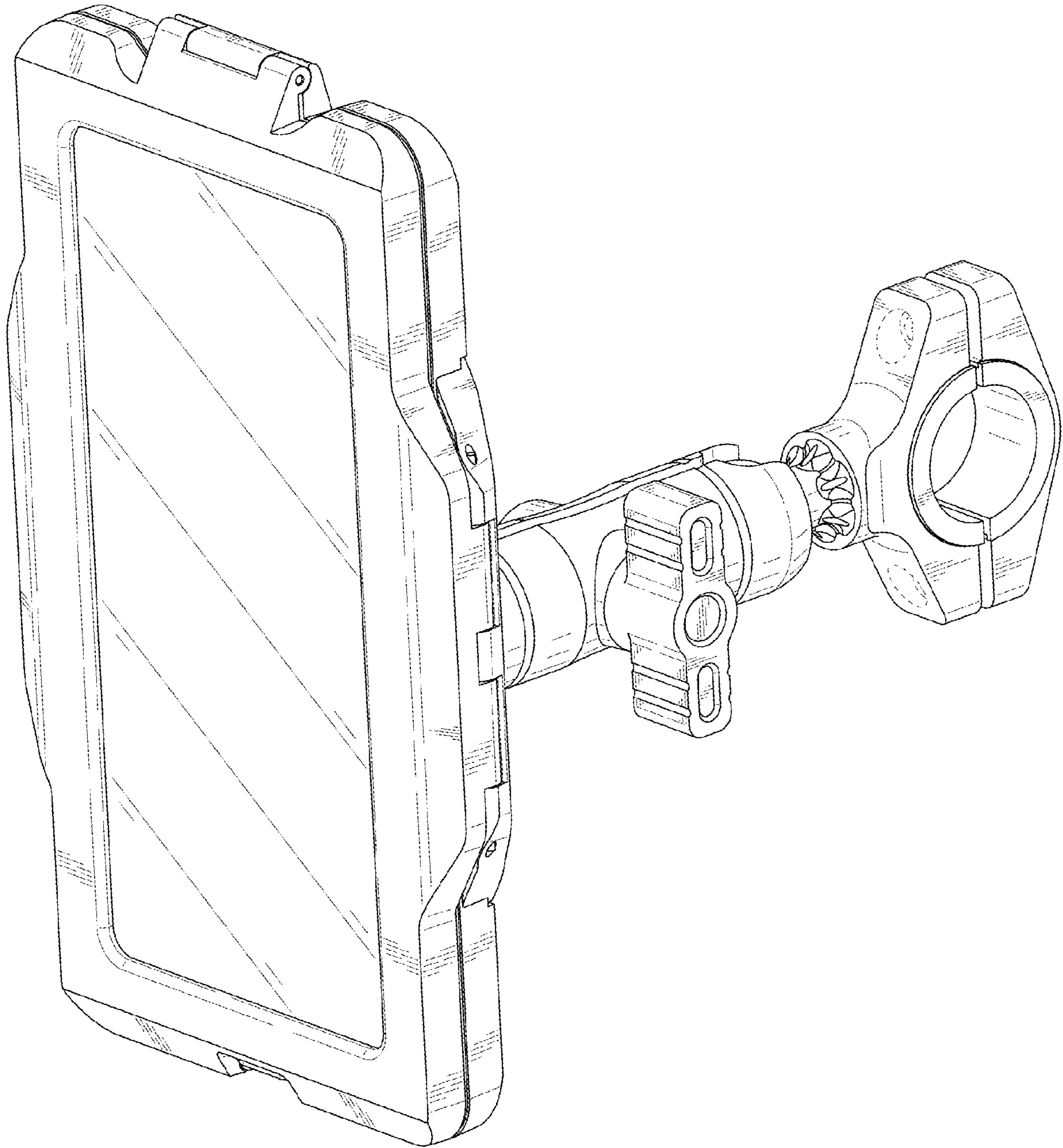


FIG. 1

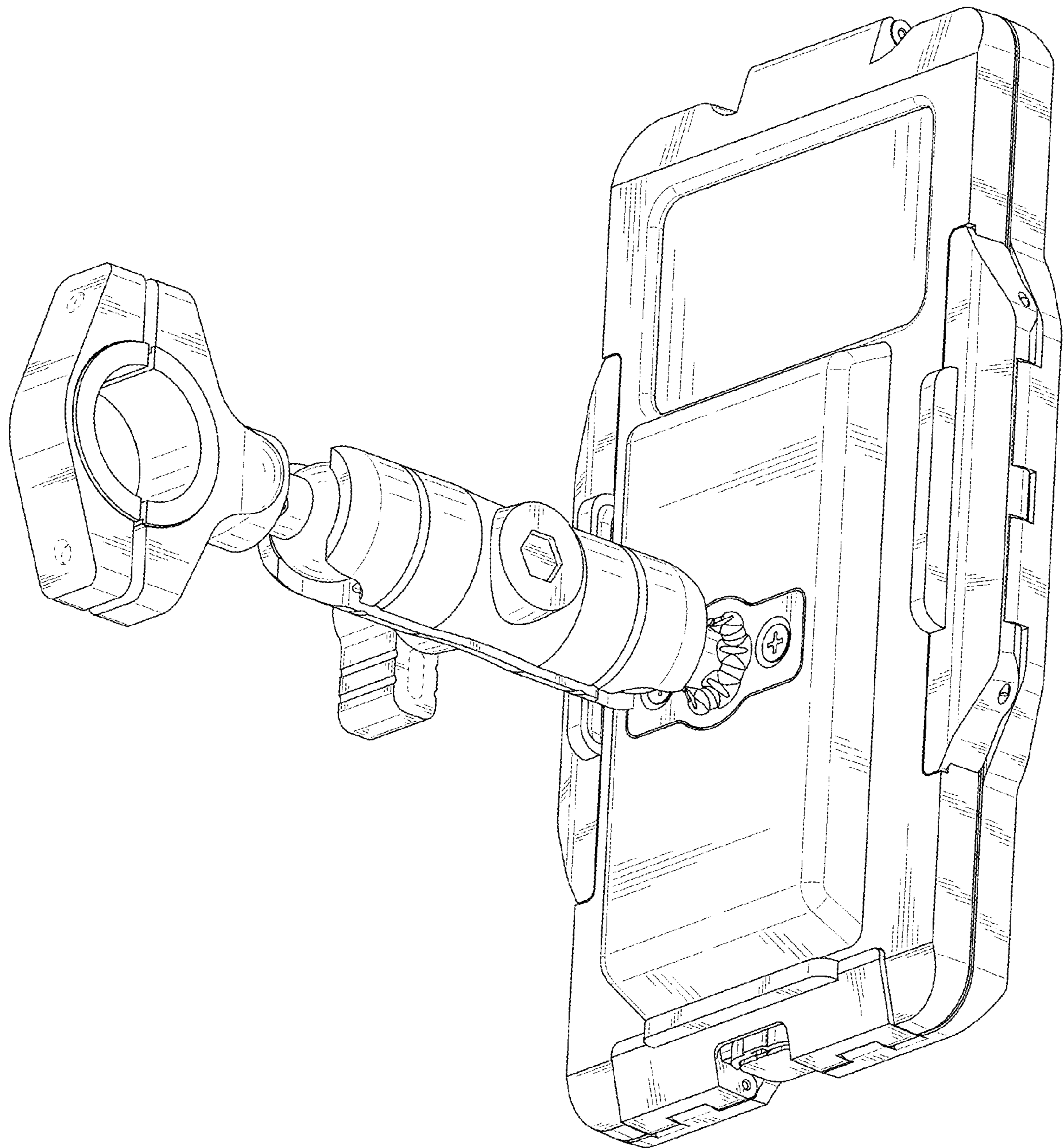


FIG. 2

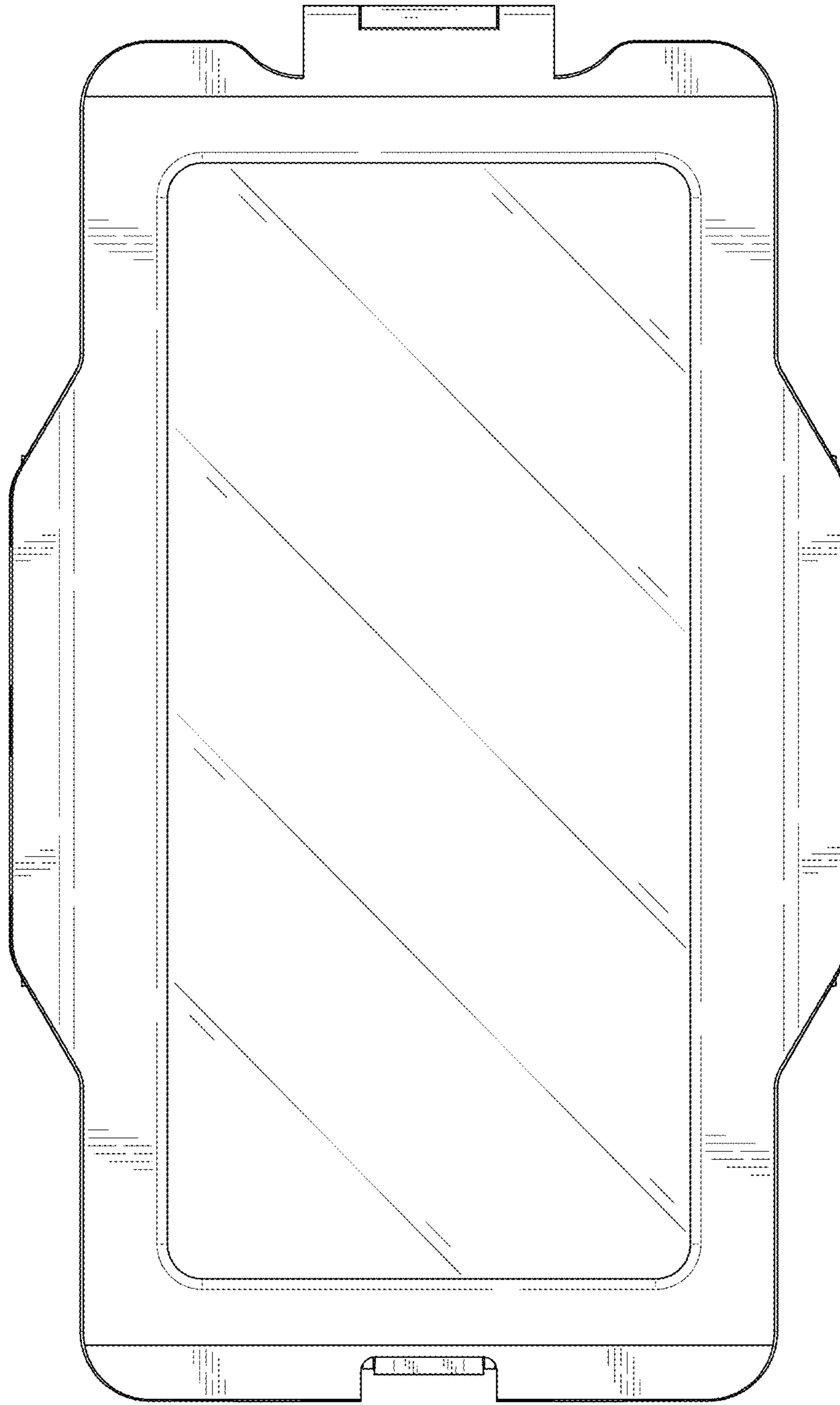


FIG. 3

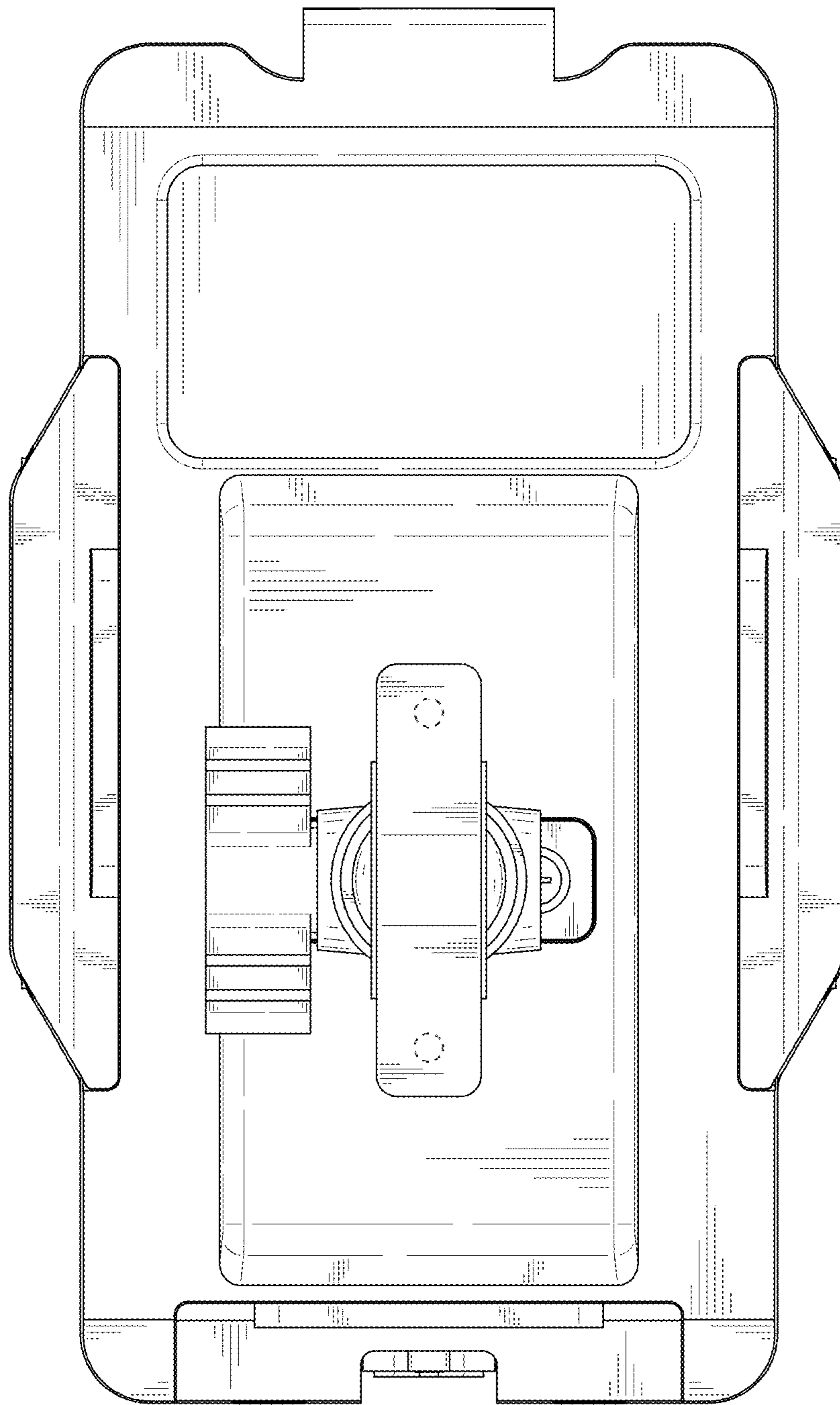


FIG. 4

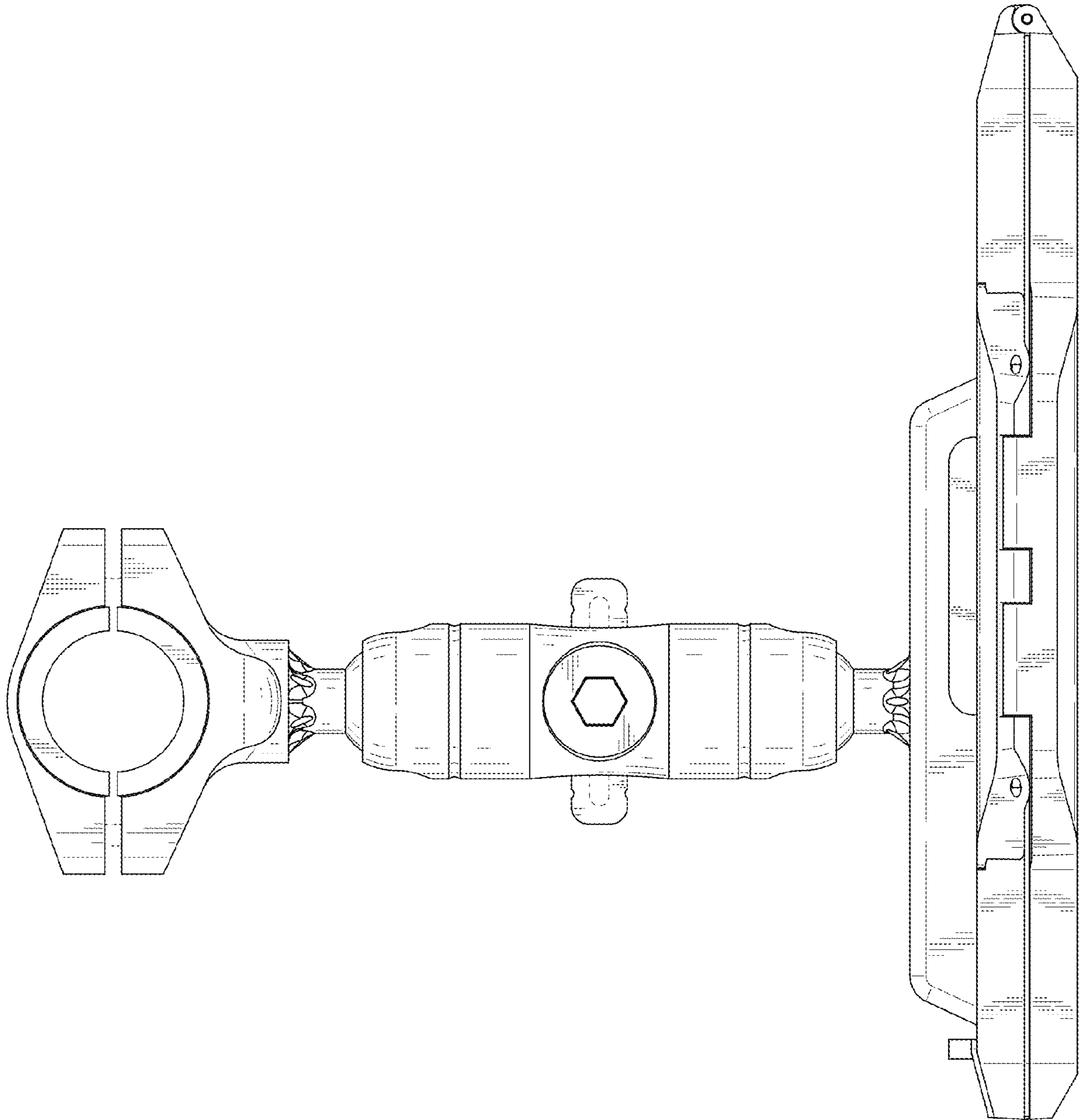


FIG. 5

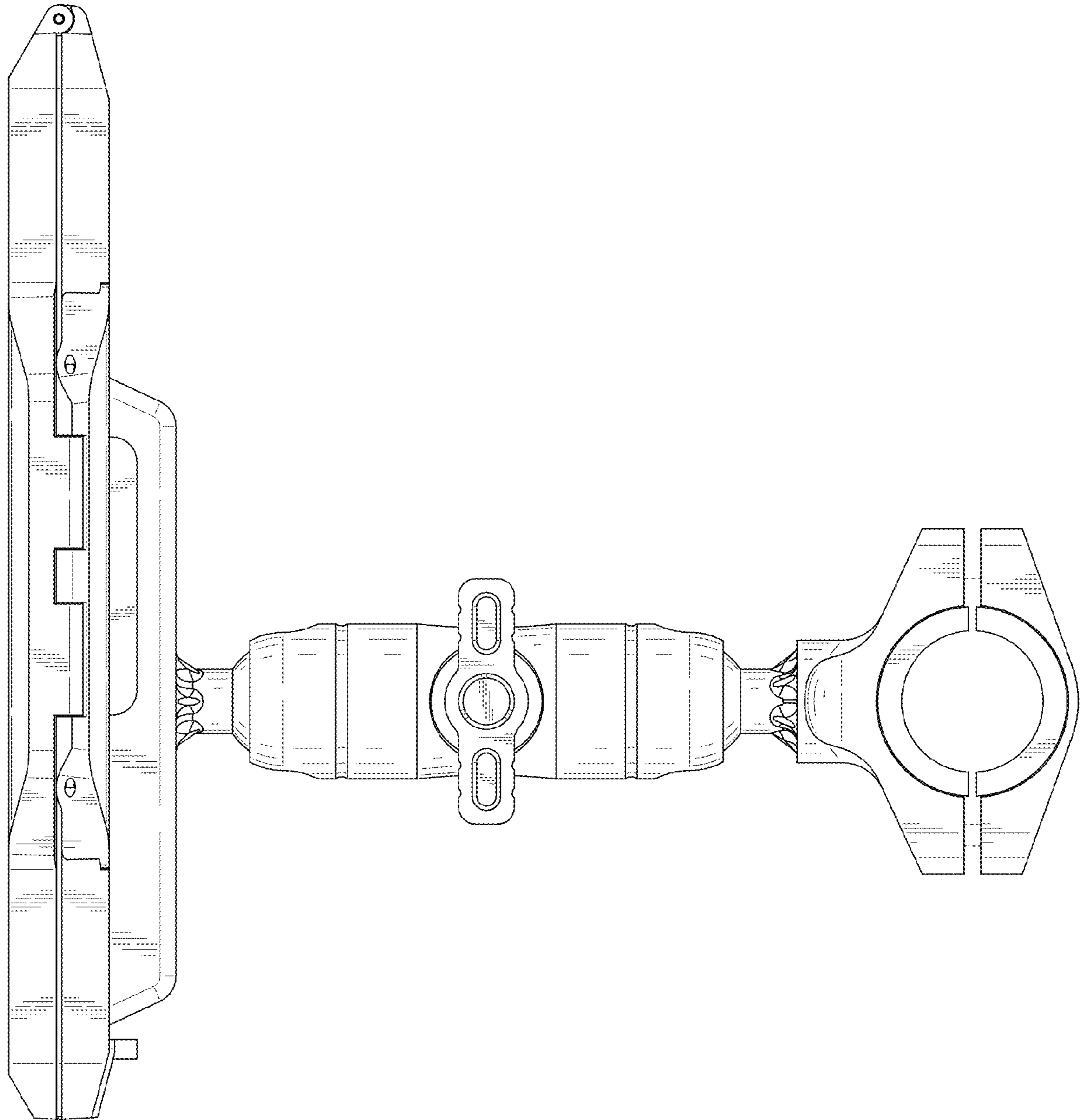


FIG. 6



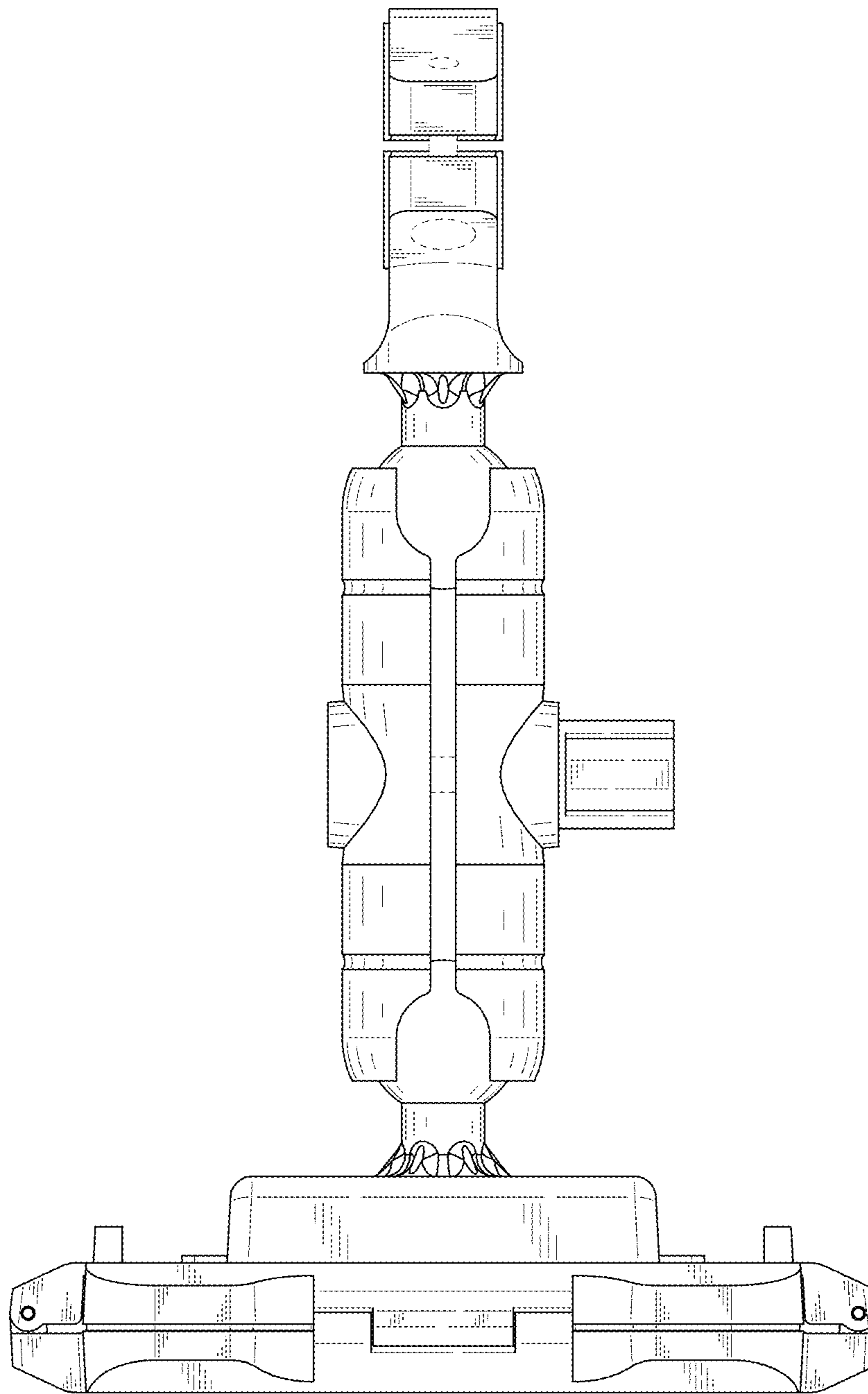


FIG. 7

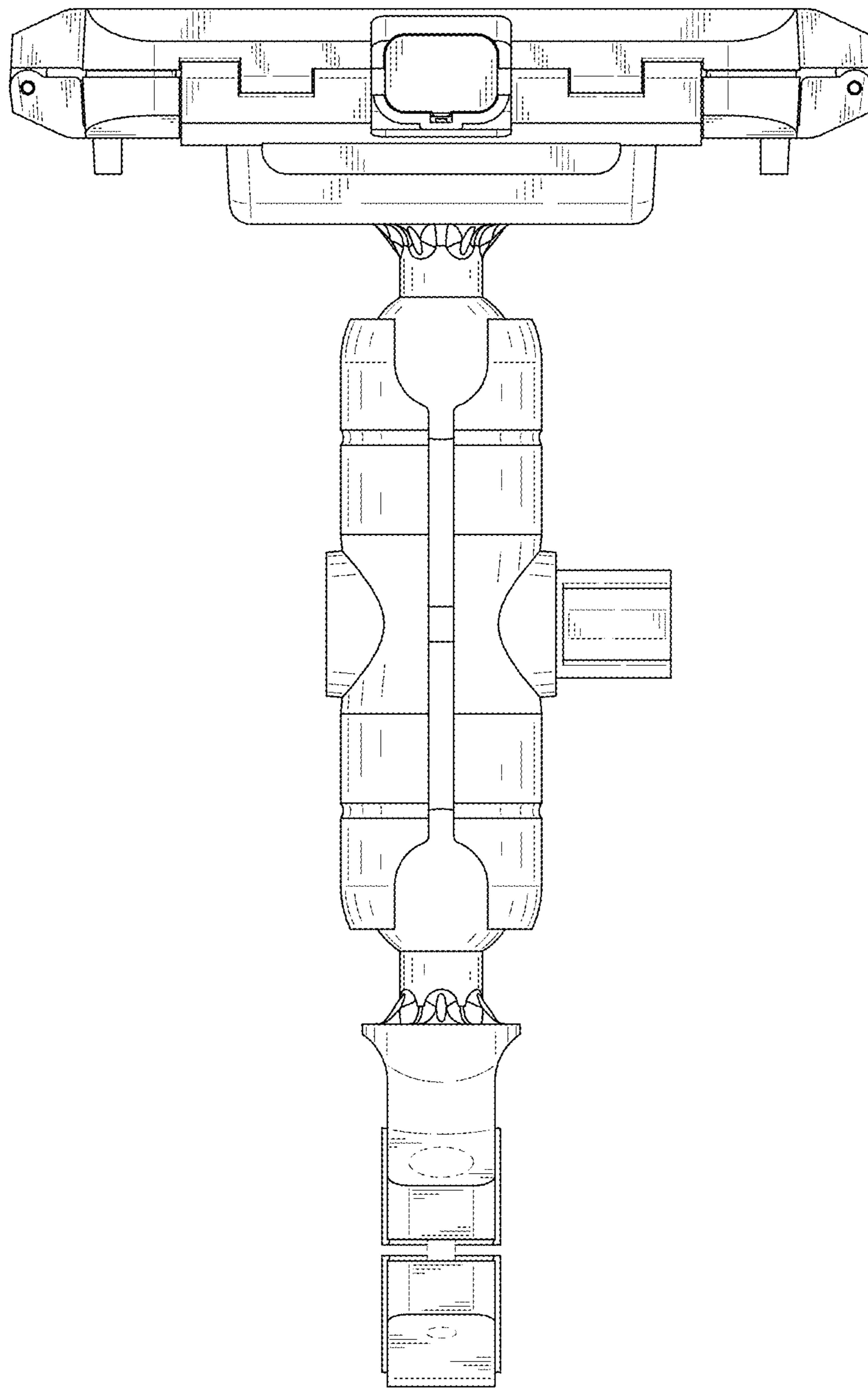


FIG. 8