



US00D986876S

(12) **United States Design Patent** (10) **Patent No.:** **US D986,876 S**
Zhou (45) **Date of Patent:** **** May 23, 2023**

(54) **MOBILE PHONE STAND** D703,659 S * 4/2014 Werth D14/253
D705,785 S * 5/2014 Wang D14/447
(71) Applicant: **Shenzhen Guanyi Industrial Design** D721,710 S * 1/2015 Messing D14/447
Co., Ltd., Guangdong (CN) (Continued)

(72) Inventor: **Lihua Zhou, Guangdong (CN)** FOREIGN PATENT DOCUMENTS
(73) Assignee: **Shenzhen Guanyi Industrial Design** CN 306285055 * 1/2021
Co., Ltd., Shenzhen (CN) CN 306412890 * 3/2021
(Continued)

(**) Term: **15 Years** OTHER PUBLICATIONS
(21) Appl. No.: **29/753,157** SRR Cell Phone Stand . . . [online]. Date first available Sep.
(22) Filed: **Sep. 30, 2020** 21,2021. [Retrieved from the Internet Dec. 21, 2022.] <URL:
(30) **Foreign Application Priority Data** <https://www.amazon.com/SRR-Foldable-Adjustable-Aluminum-Compatible/dp/B09F33RJLR?th=1> >.*
Sep. 4, 2020 (CN) 202030519795.3 (Continued)

(51) **LOC (14) Cl.** **14-99** *Primary Examiner* — Rebekah A Caruso

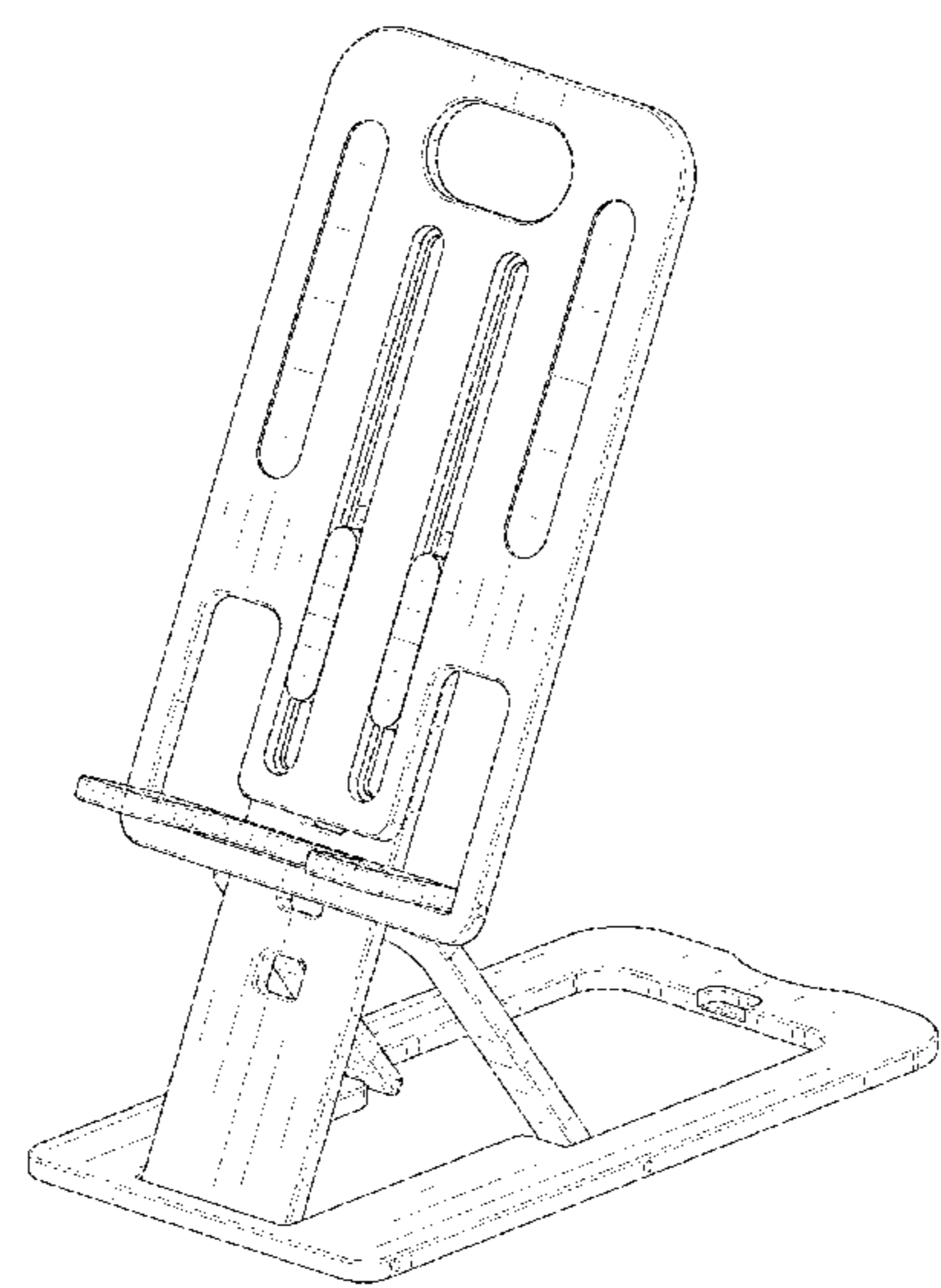
(52) **U.S. Cl.** USPC **D14/253** (57) **CLAIM**

(58) **Field of Classification Search** The ornamental design for a mobile phone stand, as shown and described.

USPC D14/251–253, 224, 224.1, 432–434, 447, D14/451, 452; D12/114, 415, 426.1, 223, D12/406, 407; D16/242, 244, 245; D3/218; D13/108
CPC B60R 11/00; B60R 11/02; B60R 11/0241; B60R 11/0252; B60R 2011/0003; B60R 2011/0005; B60R 2011/0008; H04M 1/04; F16M 11/00; F16M 11/04; F16M 11/041; F16M 11/06; H05K 5/0204; A45C 2011/002; A45F 2200/0516
See application file for complete search history.

(56) **References Cited** **DESCRIPTION**
U.S. PATENT DOCUMENTS
D513,008 S * 12/2005 Takizawa D14/447
D626,964 S * 11/2010 Richardson D14/447
D658,168 S * 4/2012 Werth D14/253
D667,012 S * 9/2012 Chen D14/447
D693,824 S * 11/2013 Erdfarb D14/447
FIG. 1 is a front elevational view of a mobile phone stand showing my new design;
FIG. 2 is a rear elevational view thereof;
FIG. 3 is a left side view thereof;
FIG. 4 is a right side view thereof;
FIG. 5 is a top plan view thereof;
FIG. 6 is a bottom plan view thereof;
FIG. 7 is a top, front and right side perspective view thereof;
and,
FIG. 8 is a bottom, rear and left side perspective view showing the mobile phone stand in a use state.
The broken lines in the drawings illustrate portions of the mobile phone stand which form no part of the claimed design.

1 Claim, 8 Drawing Sheets



(56)

References Cited

U.S. PATENT DOCUMENTS

D843,378 S * 3/2019 Langhein D14/447
D868,073 S * 11/2019 Smith D14/447
D898,017 S * 10/2020 Zhang D14/447
D906,347 S * 12/2020 Yang D14/447
D907,628 S * 1/2021 Feng D14/253
D907,644 S * 1/2021 Li D14/447
D915,414 S * 4/2021 Yang D14/447
D930,641 S * 9/2021 Zhou D14/447
D936,662 S * 11/2021 Gao D14/447
D948,519 S * 4/2022 Zhou D14/447
D951,960 S * 5/2022 Shen D14/447
2015/0192244 A1 * 7/2015 Haarburger F16M 13/00
248/459
2016/0033074 A1 * 2/2016 Drakos F16M 11/38
248/122.1

FOREIGN PATENT DOCUMENTS

CN 306412923 * 3/2021
CN 306722273 * 7/2021
WO WO-2021057153 A1 * 4/2021

OTHER PUBLICATIONS

Meiso Cell Phone Stand . . . [online]. Date first available May 31, 2021. [Retrieved from the Internet Dec. 21, 2022.] <URL: https://www.amazon.com/dp/B095HN717C/ref=sspa_dk_detail_6?psc=1&pd_rd_i=B095HN717C >.*

* cited by examiner

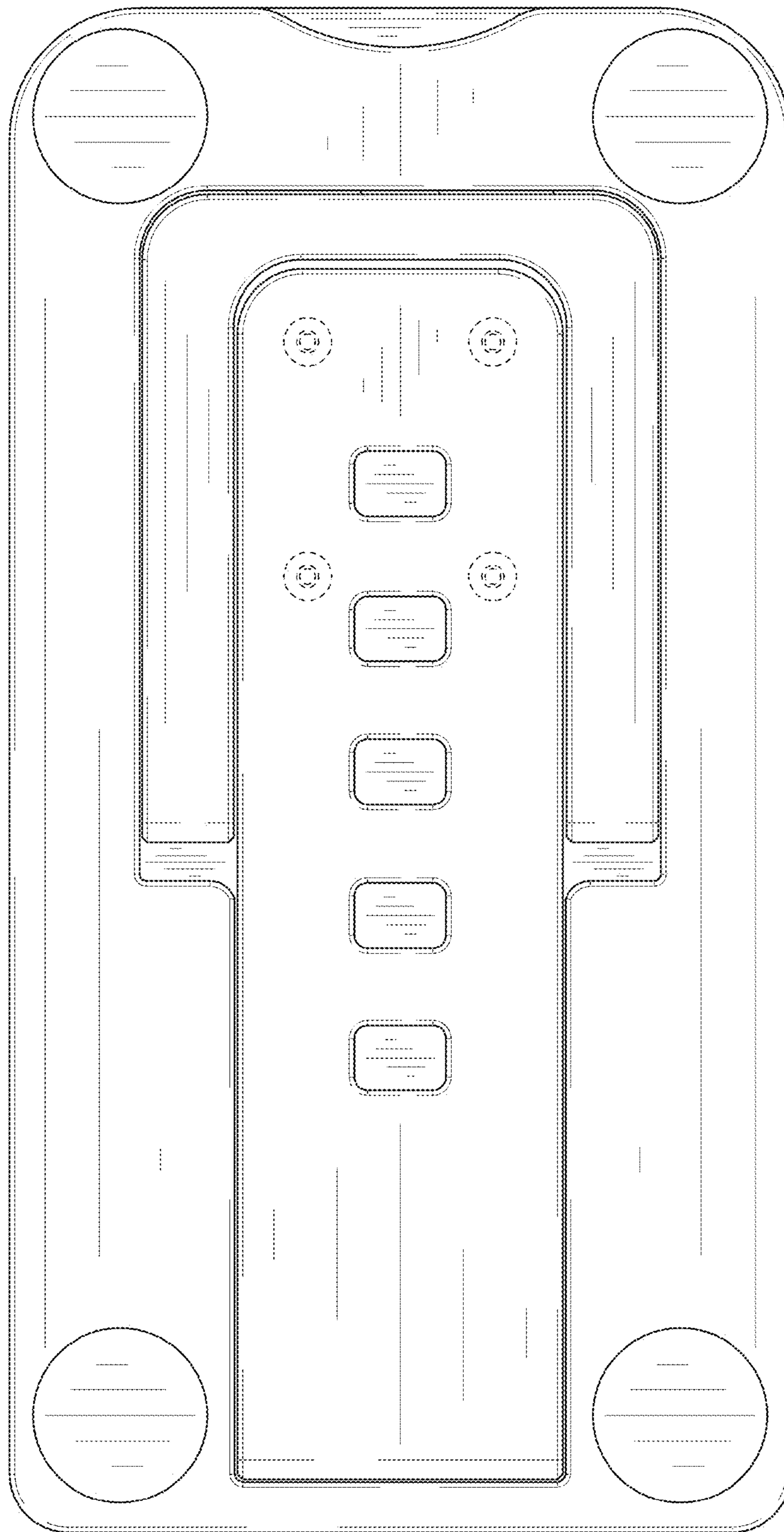


FIG.1

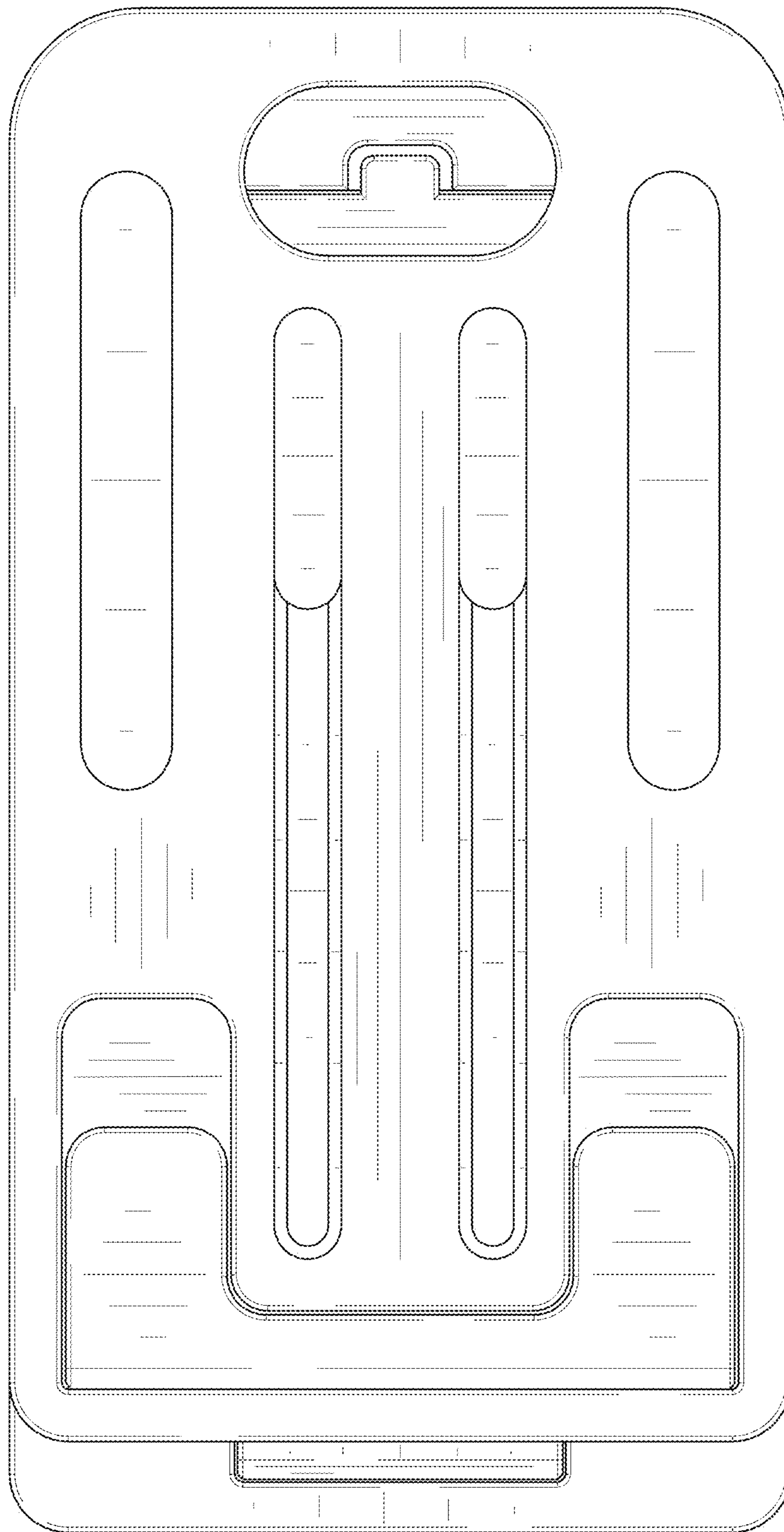


FIG.2



FIG. 3



FIG. 4

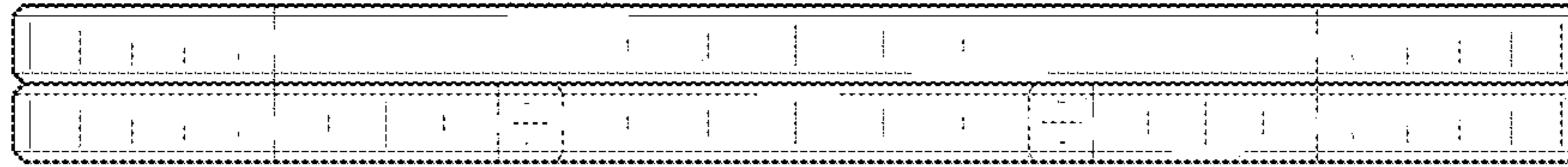


FIG.5

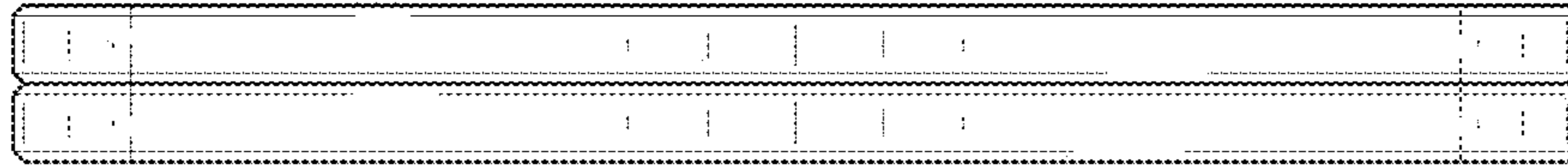


FIG.6

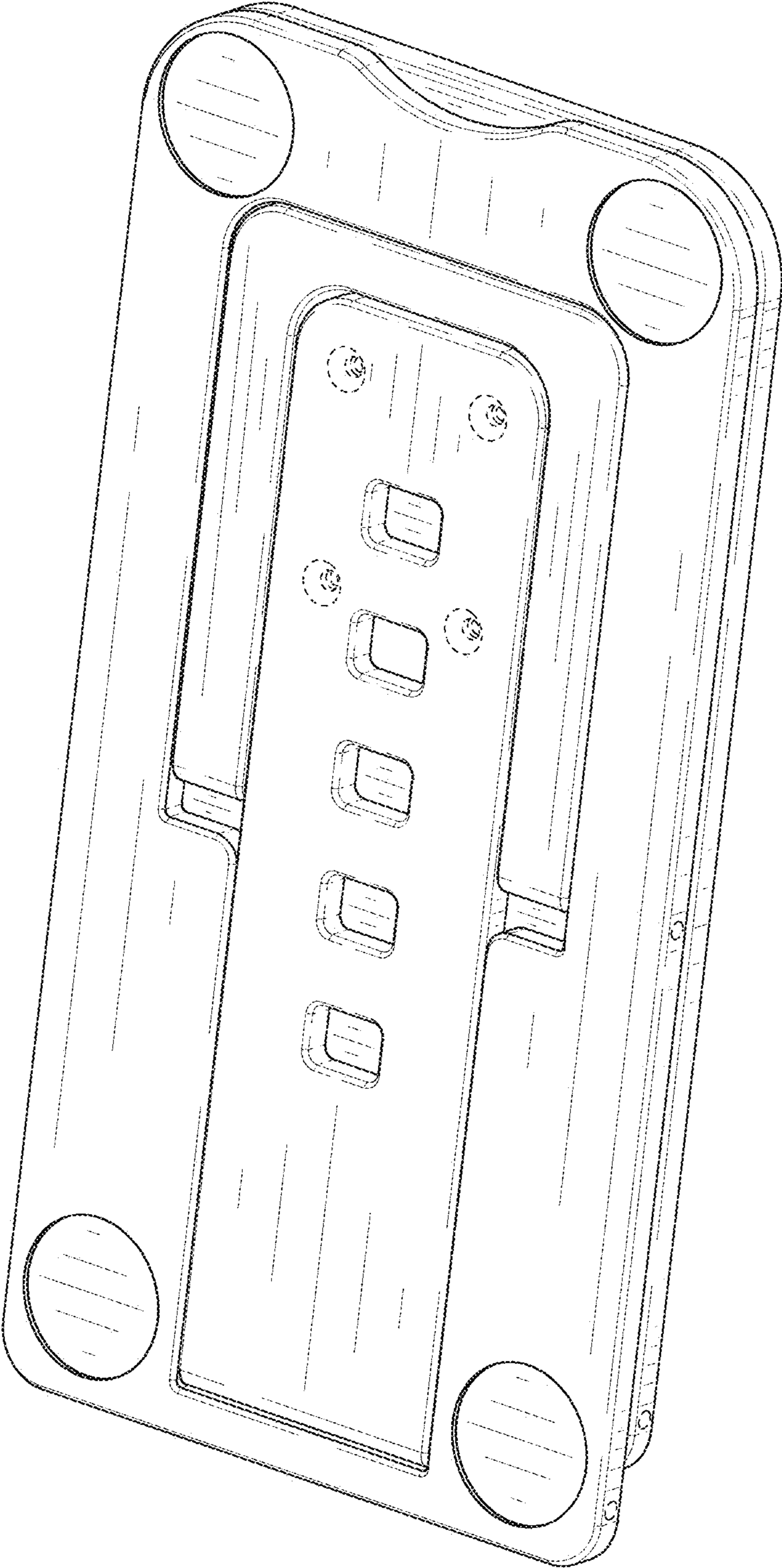


FIG. 7

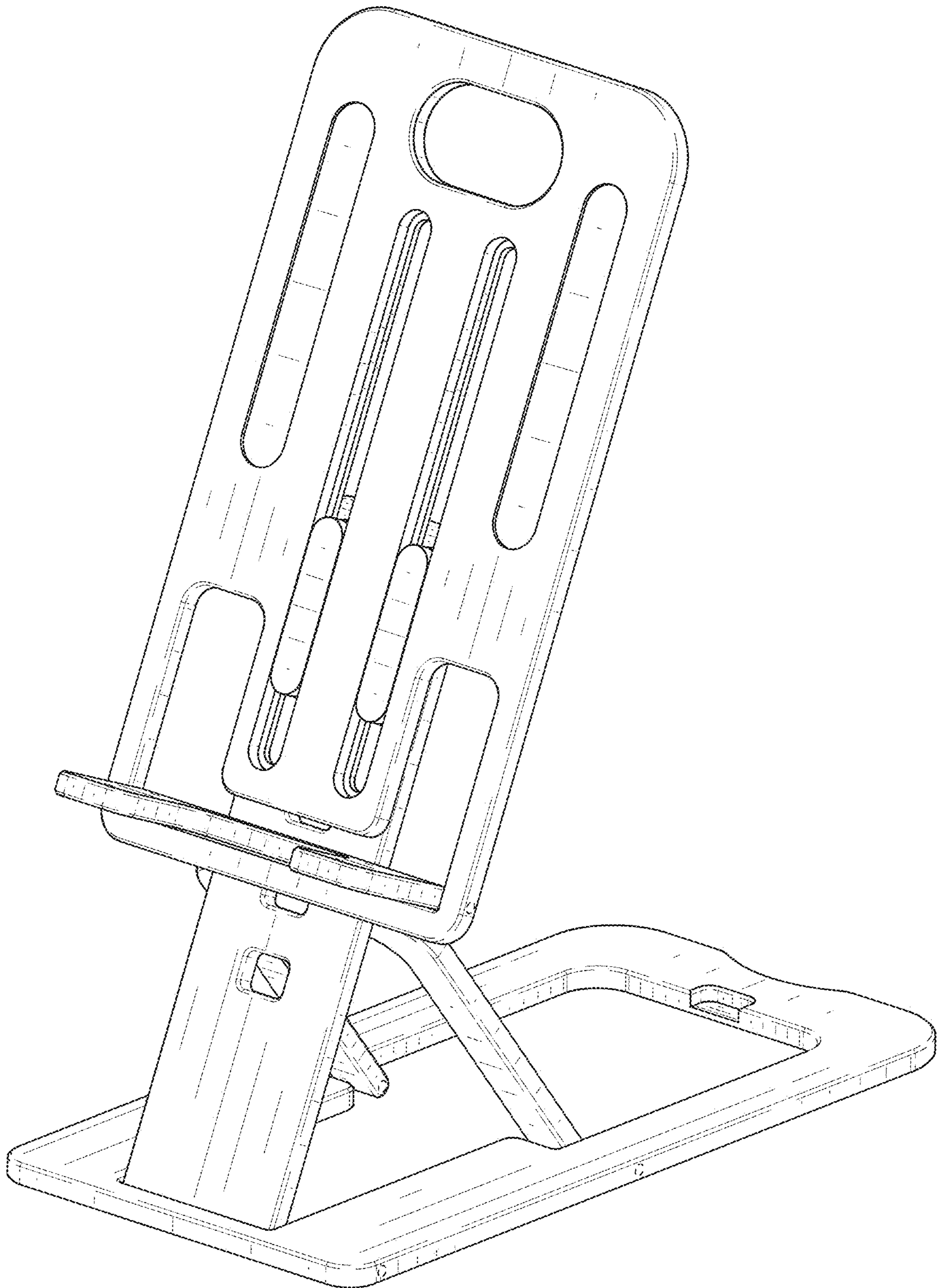


FIG.8