



US00D986871S

(12) **United States Design Patent**
Kim et al.

(10) **Patent No.:** **US D986,871 S**

(45) **Date of Patent:** **** May 23, 2023**

(54) **CASE FOR ELECTRONIC DEVICE**

(71) Applicant: **Samsung Electronics Co., Ltd.**,
Suwon-si (KR)

(72) Inventors: **Jaehyung Kim**, Suwon-si (KR);
Kwanhee Lee, Suwon-si (KR); **Jihye Lee**,
Suwon-si (KR)

(73) Assignee: **Samsung Electronics Co., Ltd.**,
Suwon-si (KR)

(**) Term: **15 Years**

(21) Appl. No.: **29/785,307**

(22) Filed: **May 25, 2021**

(30) **Foreign Application Priority Data**

Dec. 1, 2020 (KR) 30-2020-0058764

(51) **LOC (14) Cl.** **14-03**

(52) **U.S. Cl.**
USPC **D14/250**

(58) **Field of Classification Search**
USPC D3/201, 218, 247, 249, 269; D13/107,
D13/108, 118, 119; D14/217, 248,
D14/250-253, 432, 440

CPC H04B 1/3888; H04M 1/0283; H04M
1/0202; A45F 2005/028; A45F 2200/0525
See application file for complete search history.

(56) **References Cited**

U.S. PATENT DOCUMENTS

D714,053 S * 9/2014 Yoo D3/269
D733,111 S * 6/2015 Kim D14/250
D763,839 S * 8/2016 Shin D14/250
D794,009 S * 8/2017 Lee D14/250
D805,064 S * 12/2017 Lee D14/250
10,310,557 B1 * 6/2019 Wu G06F 3/0416

D859,389 S * 9/2019 Kim D14/250
10,411,748 B1 * 9/2019 Lucente H04M 1/04
D879,759 S * 3/2020 Oh D14/250
D895,594 S * 9/2020 Kim D14/250
D911,322 S * 2/2021 Jeong D14/250
D914,663 S * 3/2021 Ryu D14/250
D917,447 S * 4/2021 Park D14/250
D918,213 S * 5/2021 Miyatake D14/440
D928,770 S * 8/2021 Song D14/250
D929,978 S * 9/2021 Hwang D14/250
D941,824 S * 1/2022 Kim D14/440
D943,565 S * 2/2022 Kim D14/250
11,452,311 B1 * 9/2022 Johns A24F 40/40

(Continued)

OTHER PUBLICATIONS

This is How the First Samsung Galaxy Fold Cases Will Look and Work, publication date Mar. 2, 2019, [online] URL: <https://www.techeblog.com/samsung-galaxy-fold-case/> (Year: 2019).*

(Continued)

Primary Examiner — L. A. Grabenstetter

(74) *Attorney, Agent, or Firm* — NSIP Law

(57) **CLAIM**

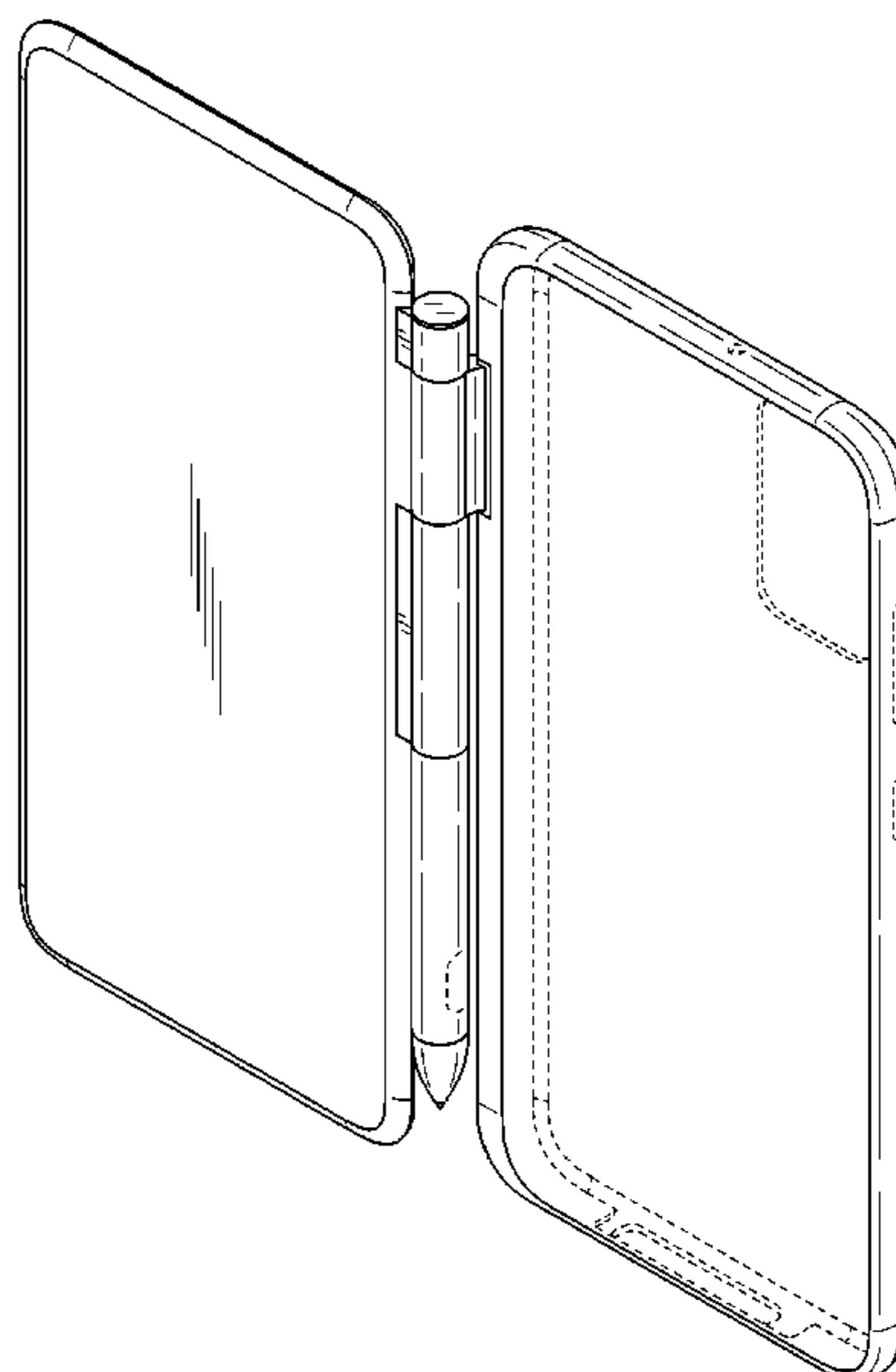
We claim the ornamental design for a case for electronic device, as shown and described.

DESCRIPTION

FIG. 1 is a front perspective view of a case for electronic device showing our new design;
FIG. 2 is a front view thereof;
FIG. 3 is a rear view thereof;
FIG. 4 is a left-side view thereof;
FIG. 5 is a right-side view thereof;
FIG. 6 is a top view thereof; and,
FIG. 7 is a bottom view thereof.

The broken lines in the figures depict portions of the case for electronic device which form no part of the claimed design.

1 Claim, 5 Drawing Sheets



(56)

References Cited

U.S. PATENT DOCUMENTS

2013/0127308 A1* 5/2013 Yang A45C 11/00
312/223.1
2019/0173508 A1* 6/2019 Martin A24F 40/50
2021/0037666 A1* 2/2021 Kang G06F 3/03545

OTHER PUBLICATIONS

Add a second screen to your smartphone with castAway, publication date Sep. 22, 2020, [online] URL: <https://www.geeky-gadgets.com/screen-phone-case-22-09-2020/> (Year: 2020).*

LG Velvet with Dualscreen review, publication date Jun. 24, 2020, [online] URL: https://www.gsmarena.com/lg_velvet-review-2125p3.php (Year: 2020).*

Hands-on: Samsung's S Pen case for Galaxy Z Fold 3, publication date Aug. 29, 2021, [online] URL: <https://9to5google.com/2021/08/29/galaxy-z-fold-3-s-pen-cover-case-samsung/> (Year: 2021).*

* cited by examiner

FIG. 1

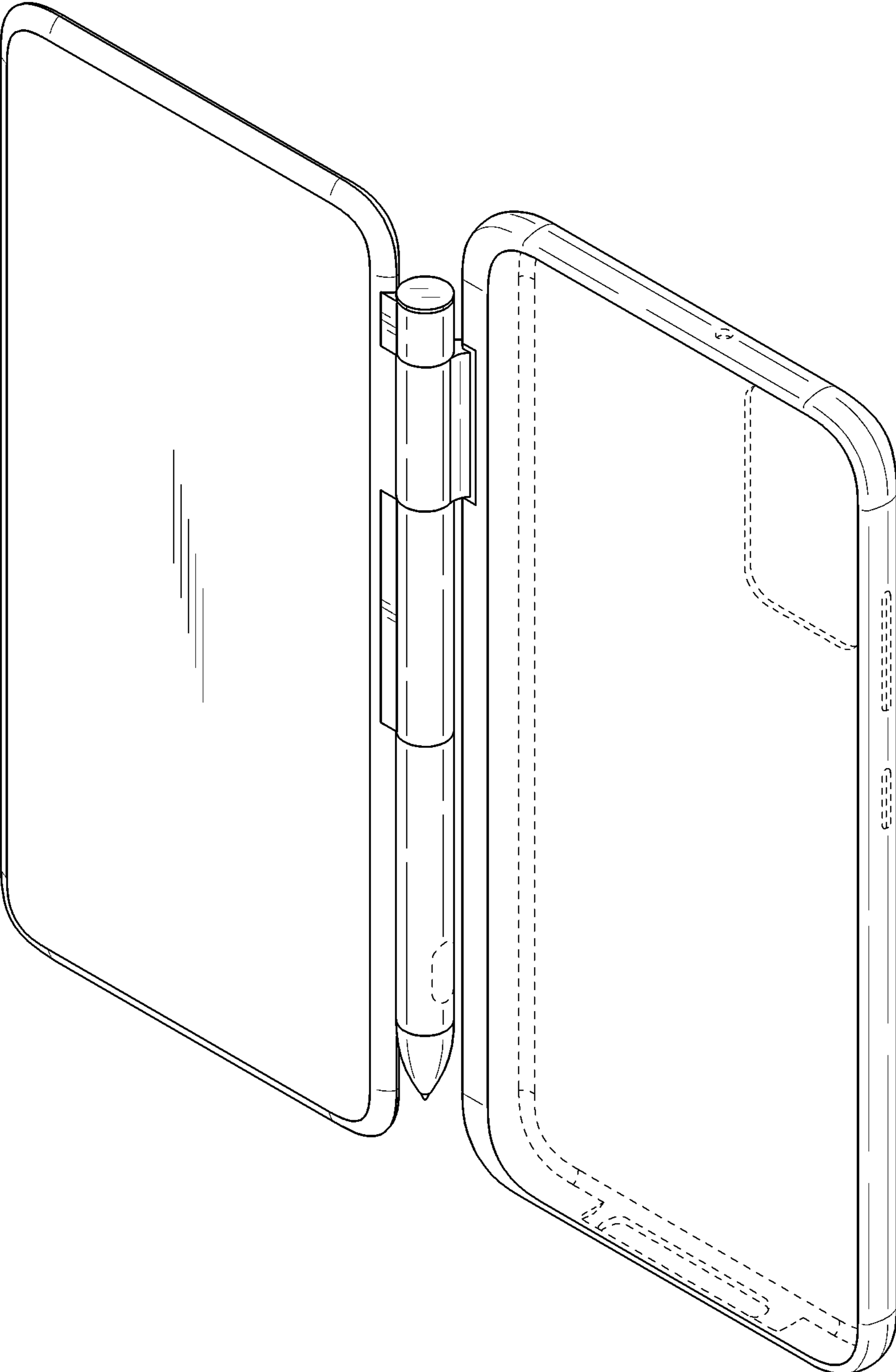


FIG.2

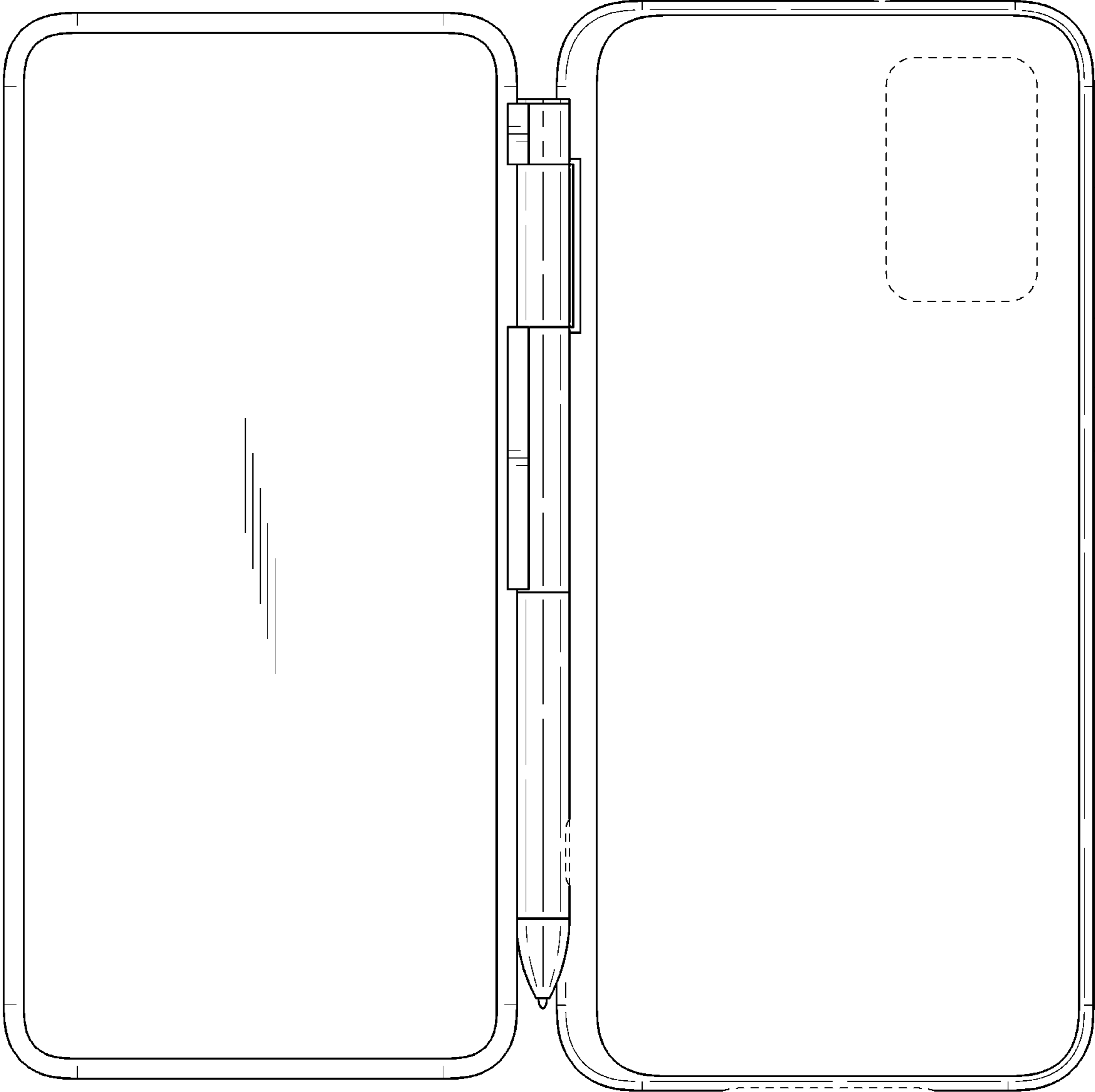


FIG.3

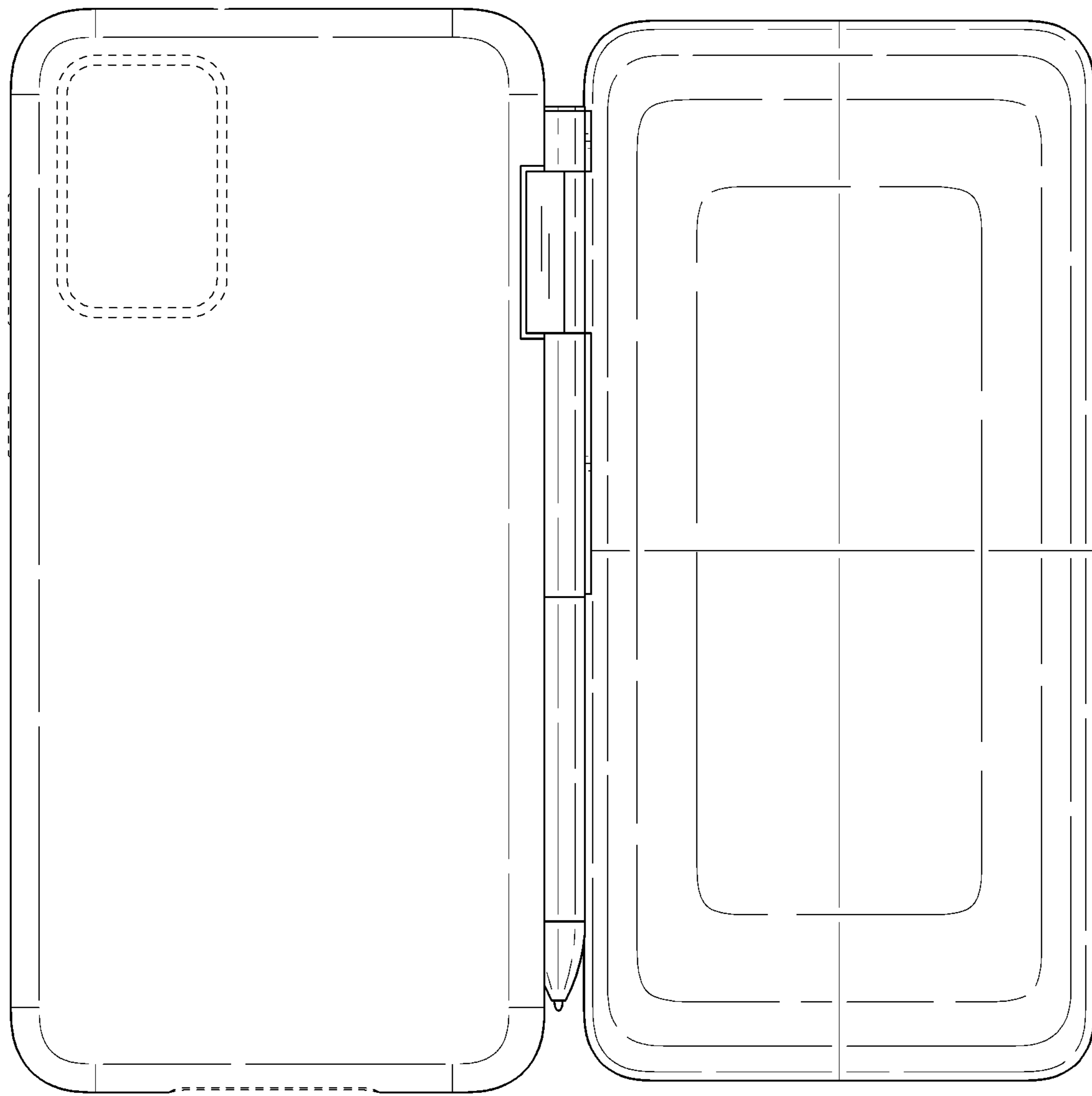


FIG.4

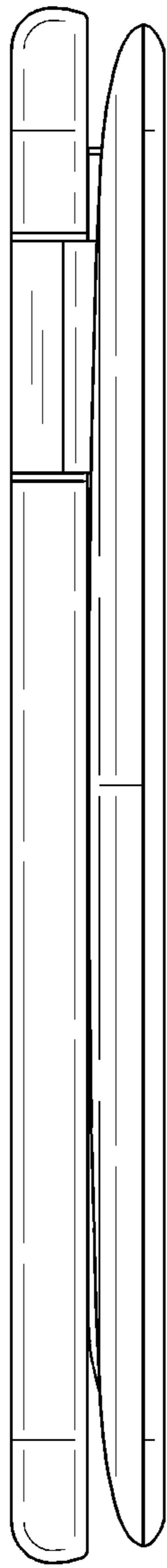


FIG.5

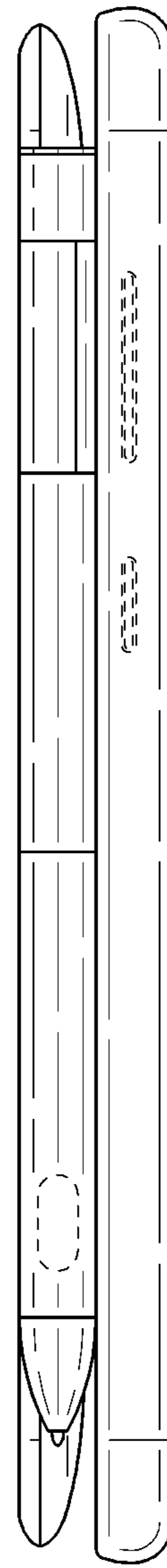


FIG.6

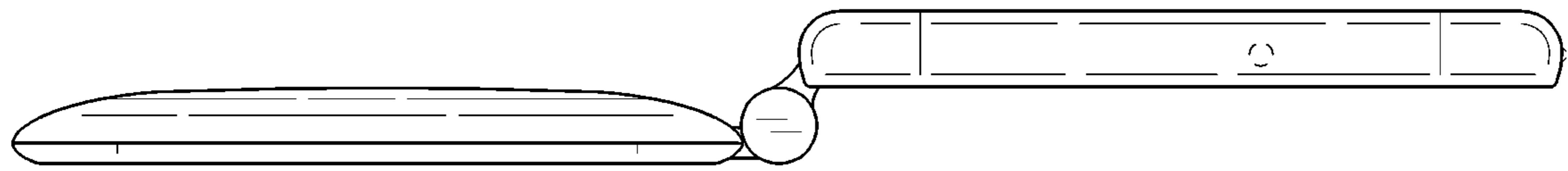


FIG.7

