



US00D986869S

(12) **United States Design Patent**  
**Kim et al.**

(10) **Patent No.:** **US D986,869 S**  
(45) **Date of Patent:** **\*\* May 23, 2023**

(54) **CASE FOR ELECTRONIC DEVICE**

(71) Applicant: **Samsung Electronics Co., Ltd.**,  
Suwon-si (KR)  
(72) Inventors: **Jaehyung Kim**, Suwon-si (KR);  
**Kwanhee Lee**, Suwon-si (KR); **Jihye**  
**Lee**, Suwon-si (KR)  
(73) Assignee: **Samsung Electronics Co., Ltd.**,  
Suwon-si (KR)

D896,214 S \* 9/2020 Lee ..... D14/250  
D899,412 S \* 10/2020 Lee ..... D14/250  
D914,663 S \* 3/2021 Ryu ..... D14/250  
D917,447 S \* 4/2021 Park ..... D14/250  
D926,747 S \* 8/2021 Ryu ..... D14/250  
D929,386 S \* 8/2021 Chung ..... D14/250  
D931,846 S \* 9/2021 Lee ..... D14/250  
D943,565 S \* 2/2022 Kim ..... D14/250  
D968,378 S \* 11/2022 Kim ..... D14/250  
D968,380 S \* 11/2022 Son ..... D14/250  
2013/0127308 A1\* 5/2013 Yang ..... A45C 11/00  
312/223.1

(Continued)

(\*\*) Term: **15 Years**

(21) Appl. No.: **29/785,292**

(22) Filed: **May 25, 2021**

(30) **Foreign Application Priority Data**

Dec. 1, 2020 (KR) ..... 30-2020-0058762

(51) **LOC (14) Cl.** ..... **14-03**

(52) **U.S. Cl.**  
USPC ..... **D14/250**

(58) **Field of Classification Search**  
USPC ..... D3/201, 218, 247, 249, 269; D13/107,  
D13/108, 118, 119; D14/217, 248,  
D14/250-253, 432, 440  
CPC ..... H04B 1/3888; H04M 1/0283; H04M  
1/0202; A45F 2005/028; A45F 2200/0525  
See application file for complete search history.

(56) **References Cited**

**U.S. PATENT DOCUMENTS**

D714,053 S \* 9/2014 Yoo ..... D3/269  
D763,839 S \* 8/2016 Shin ..... D14/250  
D767,525 S \* 9/2016 Byun ..... D14/138 AB  
D794,009 S \* 8/2017 Lee ..... D14/250  
D805,064 S \* 12/2017 Lee ..... D14/250  
D841,646 S \* 2/2019 Son ..... D14/345  
D879,084 S \* 3/2020 Lee ..... D14/250

**OTHER PUBLICATIONS**

This is How the First Samsung Galaxy Fold Cases Will Look and Work, publication date Mar. 2, 2019, [online] URL: <https://www.techblog.com/samsung-galaxy-fold-case/> (Year: 2019).\*

(Continued)

*Primary Examiner* — L. A. Grabenstetter  
(74) *Attorney, Agent, or Firm* — NSIP Law

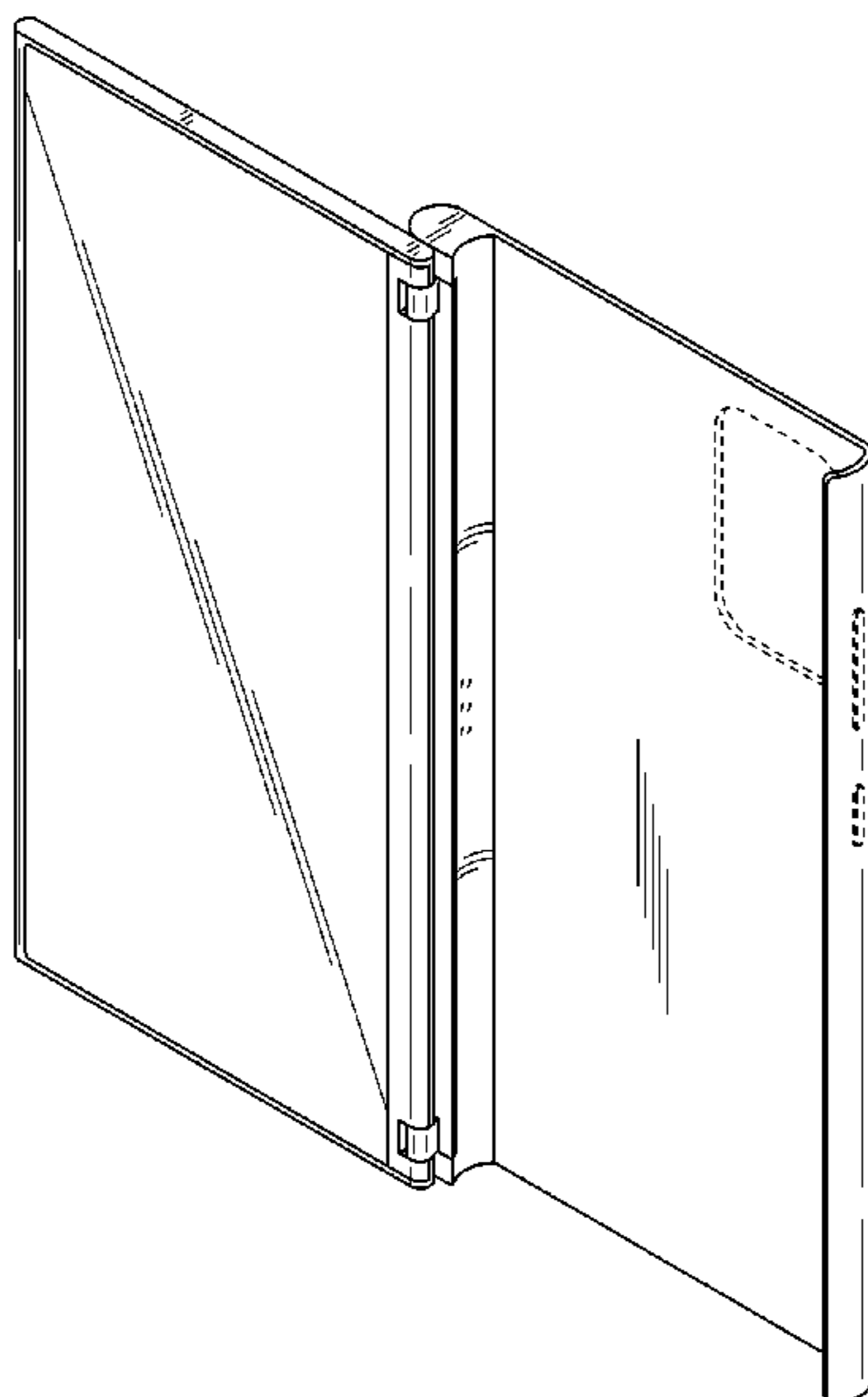
(57) **CLAIM**

We claim the ornamental design for a case for electronic device, as shown and described.

**DESCRIPTION**

FIG. 1 is a front perspective view of a case for electronic device showing our new design;  
FIG. 2 is a front view thereof;  
FIG. 3 is a rear view thereof;  
FIG. 4 is a left-side view thereof;  
FIG. 5 is a right-side view thereof;  
FIG. 6 is a top view thereof; and,  
FIG. 7 is a bottom view thereof.  
The broken lines in the figures depict portions of the case for electronic device which form no part of the claimed design.

**1 Claim, 5 Drawing Sheets**



(56)

**References Cited**

U.S. PATENT DOCUMENTS

2020/0174522 A1\* 6/2020 Lim ..... G06F 1/1652  
2020/0229566 A1\* 7/2020 Mody ..... A45C 11/00

OTHER PUBLICATIONS

Add a second screen to your smartphone with castAway, publication date Sep. 22, 2020, [online] URL: <https://www.geeky-gadgets.com/screen-phone-case-22-09-2020/> (Year: 2020).\*

LG Velvet with DualScreen review, publication date Jun. 24, 2020, [online] URL: [https://www.gsmarena.com/lg\\_velvet-review-2125p3.php](https://www.gsmarena.com/lg_velvet-review-2125p3.php) (Year: 2020).\*

\* cited by examiner

FIG.1

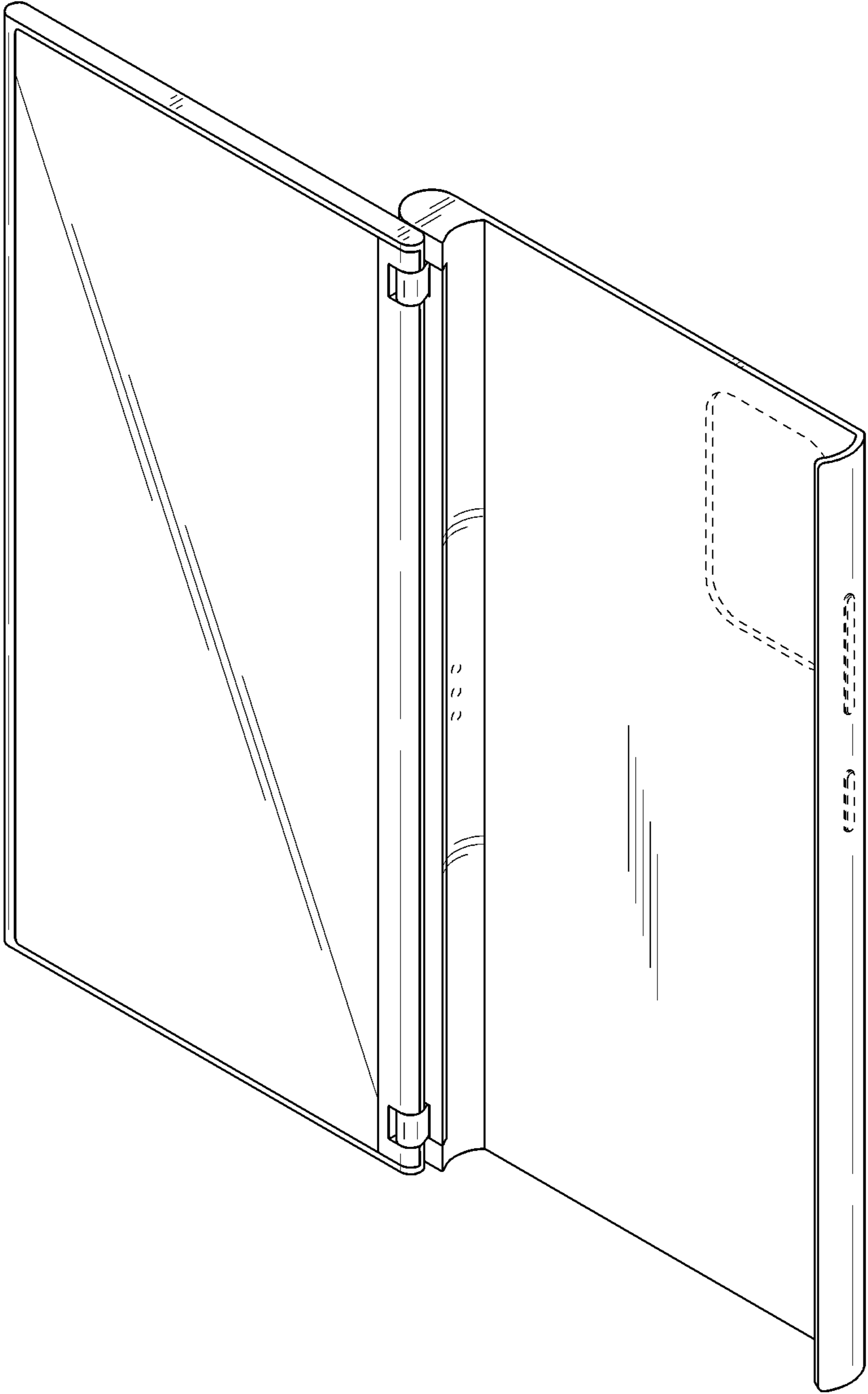


FIG.2

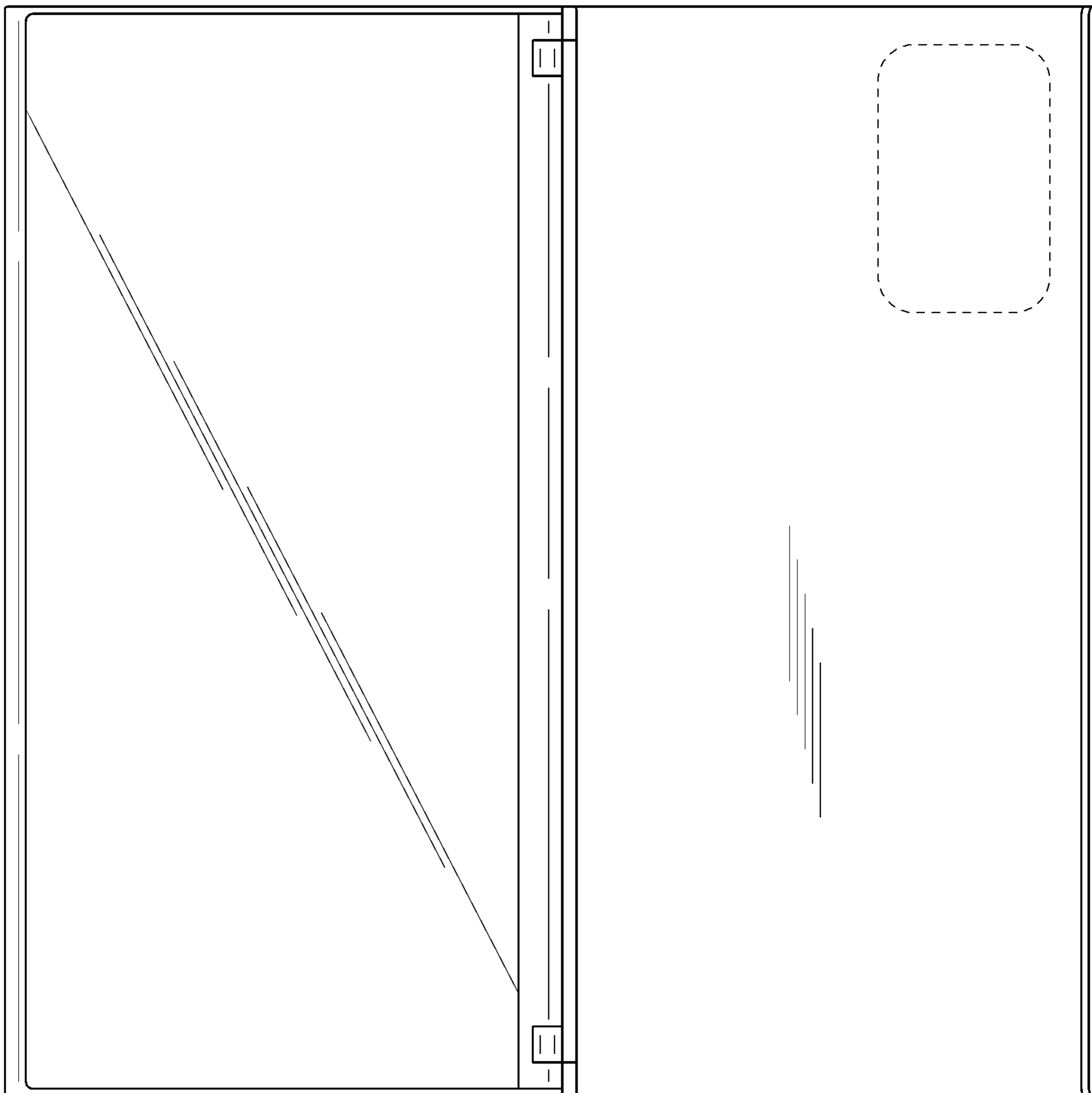


FIG.3

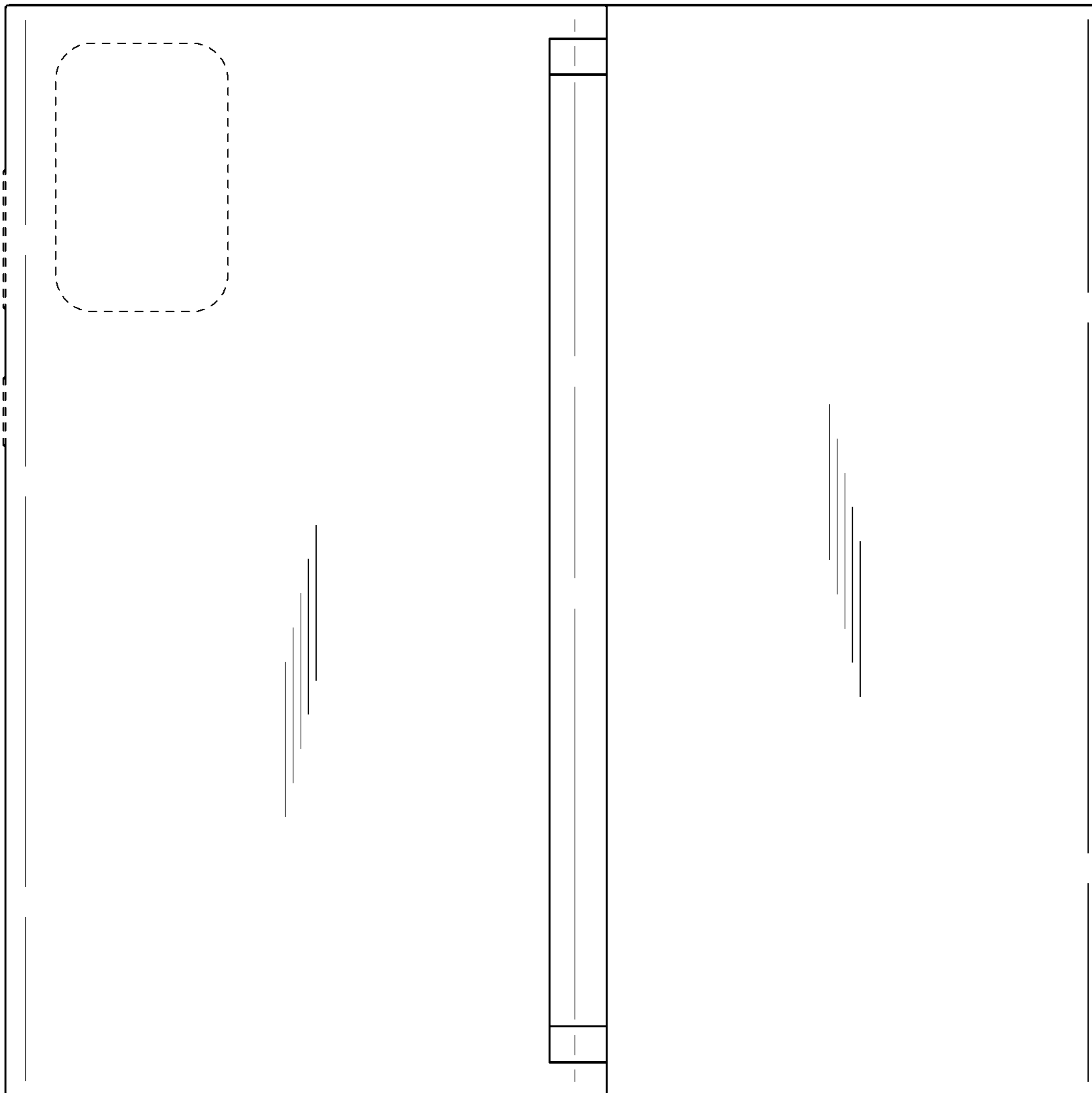


FIG.4

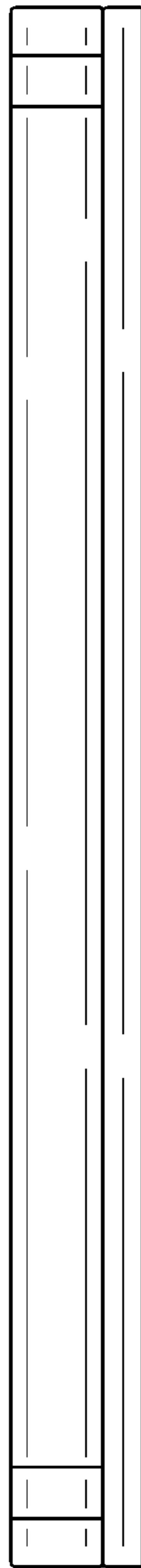


FIG.5

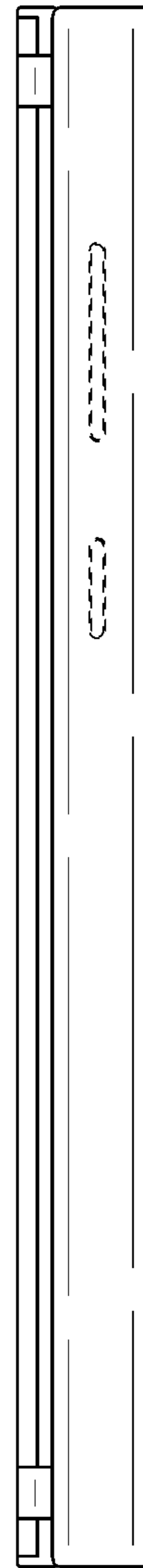


FIG.6

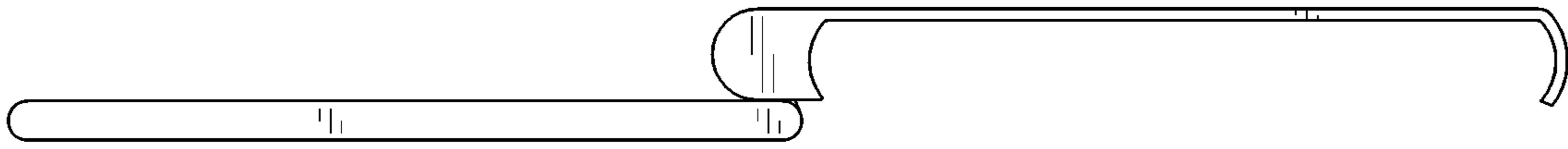


FIG.7

