



US00D986866S

(12) **United States Design Patent** (10) **Patent No.:** **US D986,866 S**
Altschul et al. (45) **Date of Patent:** **** *May 23, 2023**

(54) **CASE FOR A MOBILE COMMUNICATIONS DEVICE**

(71) Applicant: **Catalyst Medium Four, Inc.**, Austin, TX (US)

(72) Inventors: **Matthew Altschul**, Austin, TX (US);
Beejan Soheili, Chula Vista, CA (US)

(73) Assignee: **Catalyst Media Four, Inc.**, Austin, TX (US)

(*) Notice: This patent is subject to a terminal disclaimer.

(**) Term: **15 Years**

(21) Appl. No.: **29/752,203**

(22) Filed: **Sep. 25, 2020**

(51) **LOC (14) Cl.** **14-03**

(52) **U.S. Cl.**
USPC **D14/250**

(58) **Field of Classification Search**
USPC D14/203.3–203.7, 439, 251–253, 447, D14/217, 240, 238.1, 440, 248, 250; D13/103, 107–108, 119; D3/201, 218, D3/247, 249, 269, 273, 301, 303
CPC H04B 1/3888; A45C 11/00; A45C 13/02; A45C 2011/002; A45C 1/06; H04M 1/0283; H04M 1/0202; A45F 2200/0525; A45F 2005/026; A45F 2200/0516
See application file for complete search history.

(56) **References Cited**

U.S. PATENT DOCUMENTS

D639,260 S *	6/2011	Carroll	D14/138 G
D702,672 S *	4/2014	Mather	D14/250
D745,455 S *	12/2015	Nook	D13/107
D763,250 S *	8/2016	Jannard	D14/341
D766,819 S *	9/2016	Gjovik	D13/103

D772,857 S *	11/2016	Poon	D14/250
D776,105 S *	1/2017	Han	D14/250
D798,854 S *	10/2017	Babichenko	D14/250
D828,320 S *	9/2018	Tschopp	D14/138 G
D846,542 S *	4/2019	Sasaki	D14/250
D852,201 S *	6/2019	Chan	D14/440
D865,739 S *	11/2019	Altschul	D14/250
10,470,544 B2 *	11/2019	Adrain	A45C 15/00
D873,785 S *	1/2020	Jannard	D14/138 G
D879,760 S *	3/2020	Altschul	D14/250
D888,063 S *	6/2020	Chan	D14/440
D896,212 S *	9/2020	Wang	D14/250

(Continued)

Primary Examiner — Carla J Wright
(74) *Attorney, Agent, or Firm* — Michael Scheinber;
Scheinberg & Associates, PC

(57) **CLAIM**

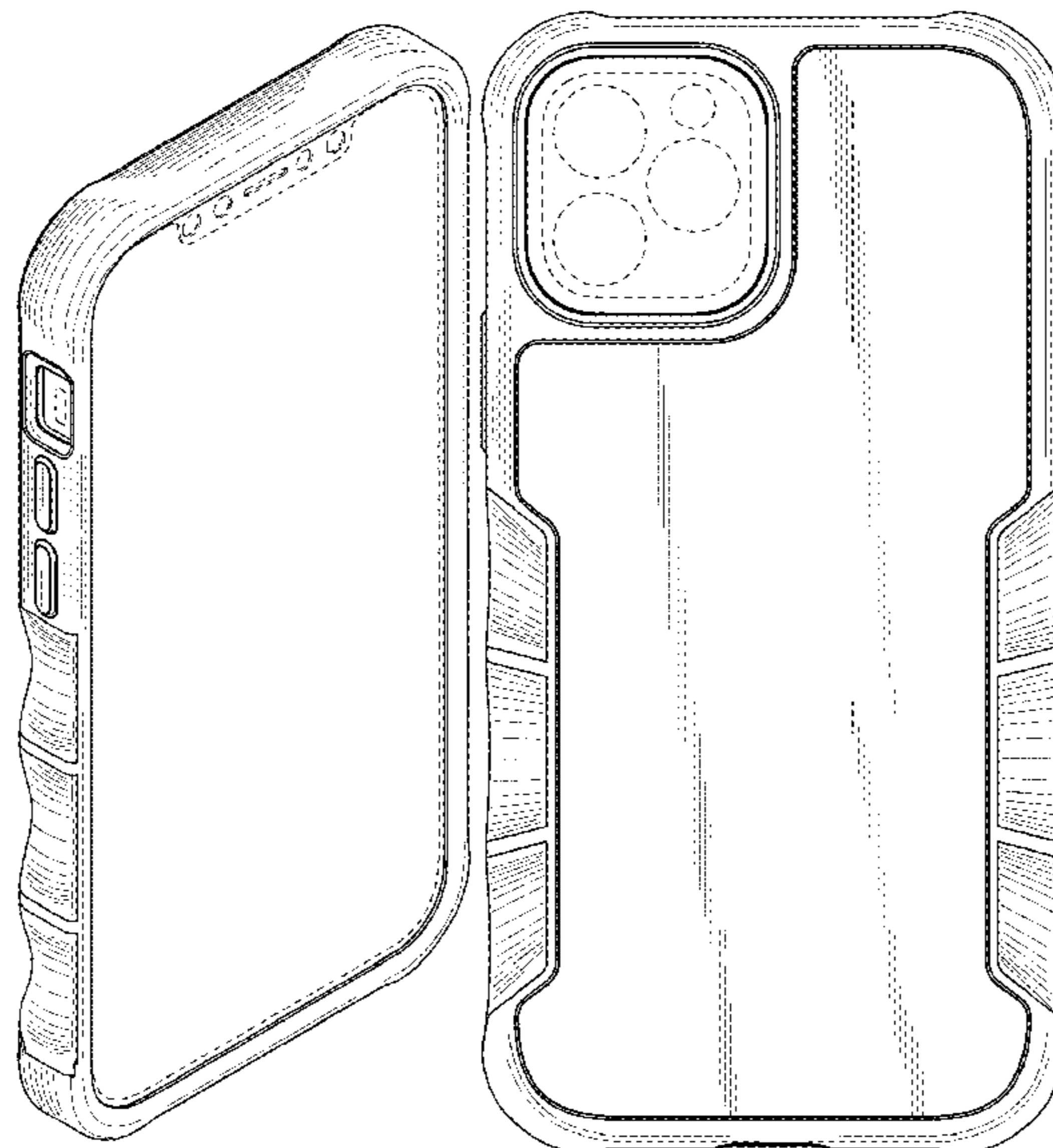
We claim the ornamental design for a case for a mobile communications device, as shown and described.

DESCRIPTION

FIG. 1 is a front, left-side, and top perspective view of a case for a mobile communications device according to the present design.
FIG. 2 is a back, right-side, and bottom perspective view thereof.
FIG. 3 is a back elevational view thereof.
FIG. 4 is a front elevational view thereof.
FIG. 5 is a left-side elevational view thereof.
FIG. 6 is a right-side elevational view thereof.
FIG. 7 is a top plan view thereof; and,
FIG. 8 is a bottom plan view thereof.

The broken lines depicting portions of a mobile communications device represent environmental subject matter that forms no part of the claimed design. The broken line features on the side surfaces of the article represent portions of the case for a mobile communications device that form no part of the claimed design.

1 Claim, 3 Drawing Sheets



(56)

References Cited

U.S. PATENT DOCUMENTS

D896,804 S *	9/2020	Lin	D14/250
D901,479 S *	11/2020	Altschul	D14/250
D901,480 S *	11/2020	Altschul	H04M 1/0279
			D14/250
D902,193 S *	11/2020	Altschul	D14/250
D905,038 S *	12/2020	Zhang	D14/250
D908,121 S *	1/2021	Weng	D14/250
D932,477 S *	10/2021	Zhou	D14/250
D932,478 S *	10/2021	Zhou	D14/250
D934,850 S *	11/2021	Weng	D14/250
2014/0268519 A1 *	9/2014	Huang	H04B 1/3888
			361/679.01
2015/0355684 A1 *	12/2015	Nakamura	G06F 1/1671
			361/679.3
2019/0014319 A1 *	1/2019	Jannard	H04N 19/13
2021/0028809 A1 *	1/2021	Altschul	H04B 1/3888

* cited by examiner

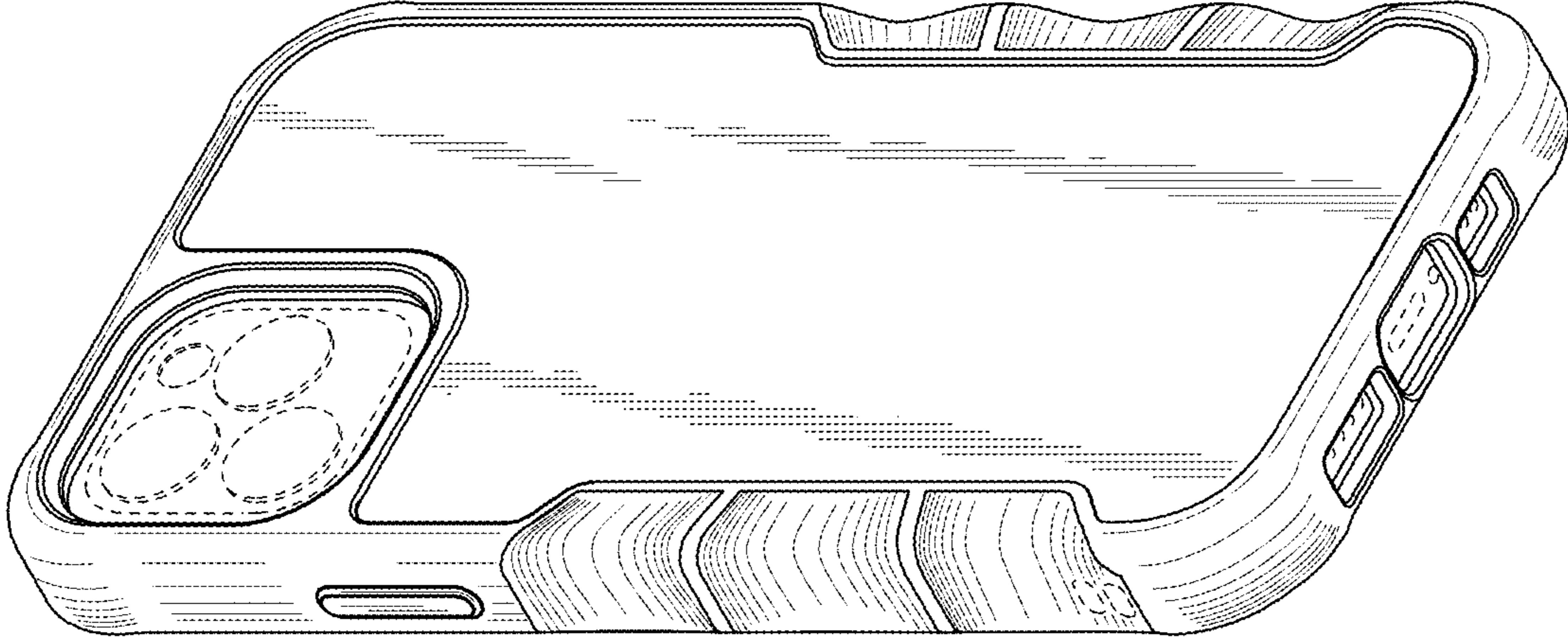


FIG. 2

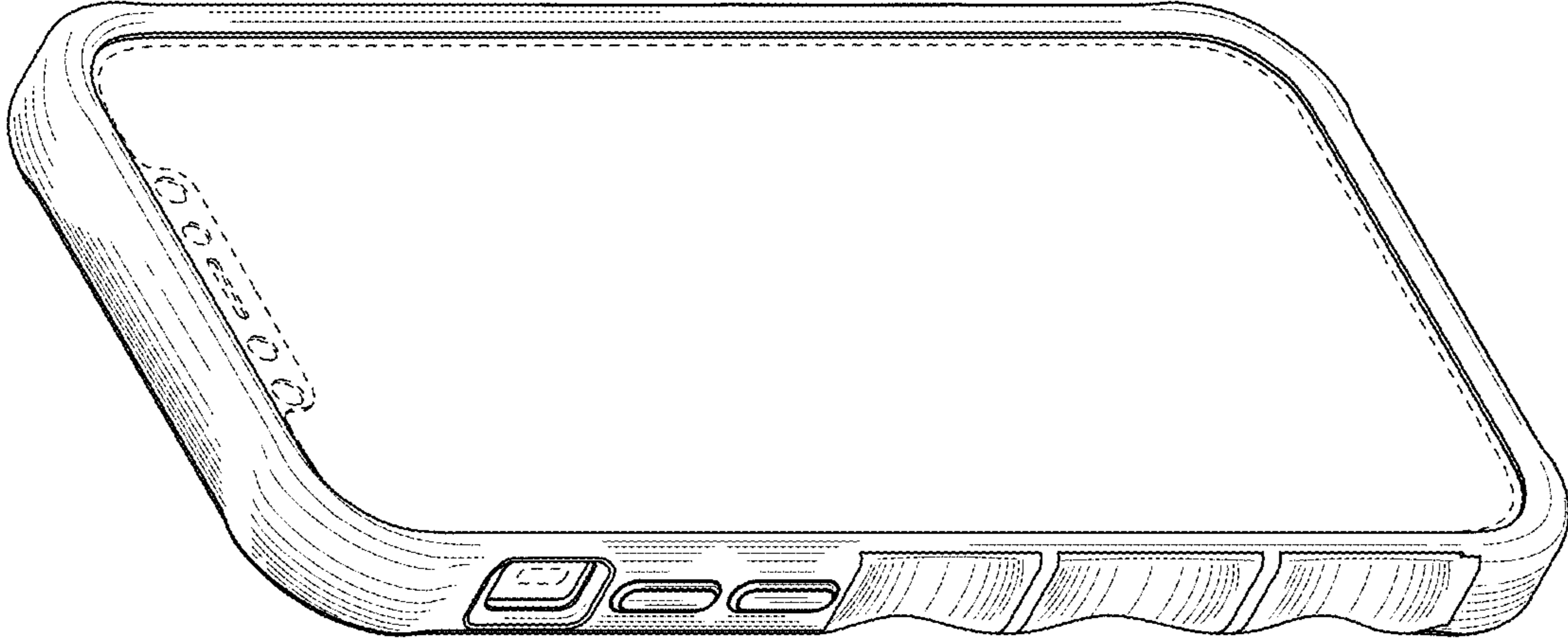


FIG. 1

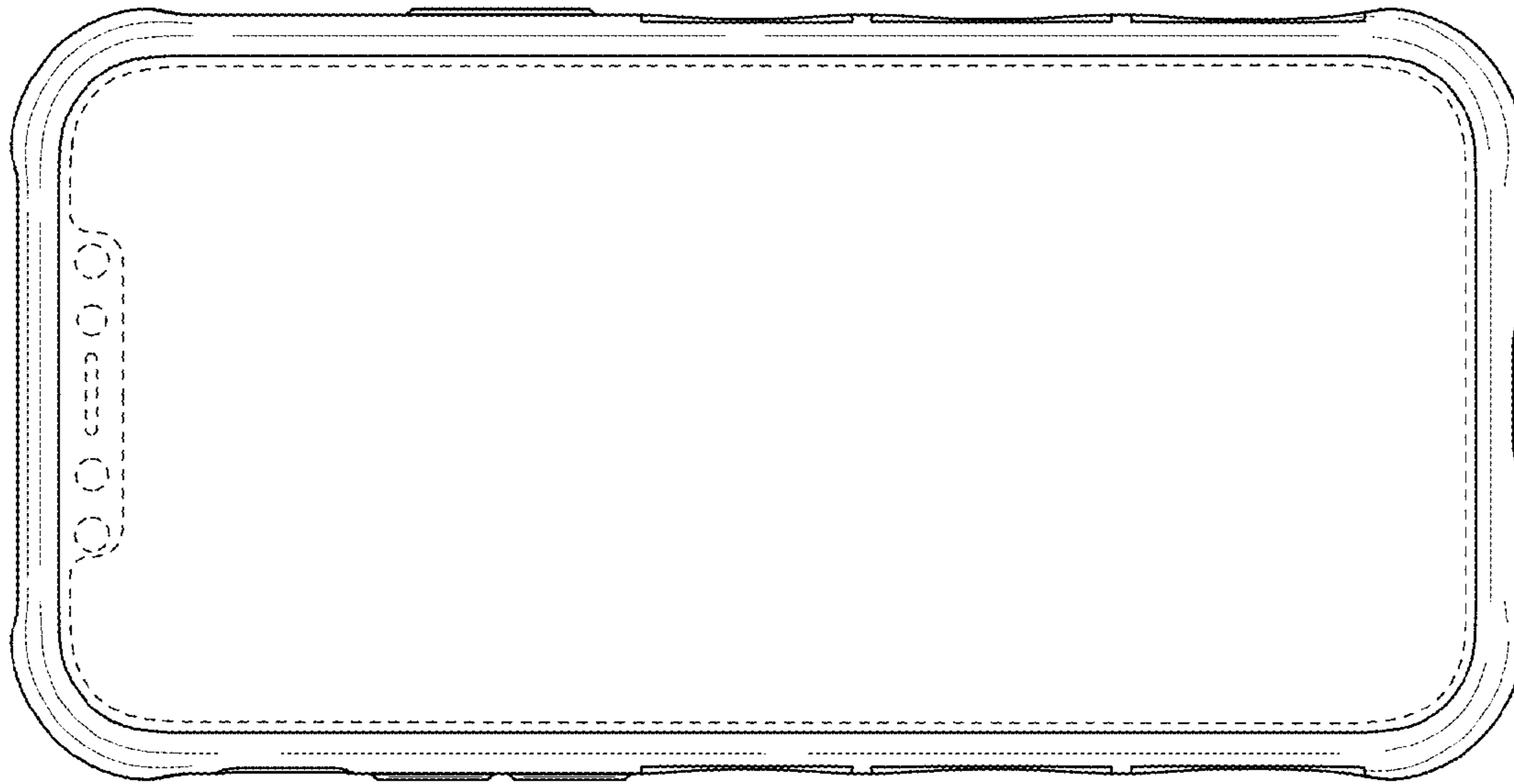


FIG. 4

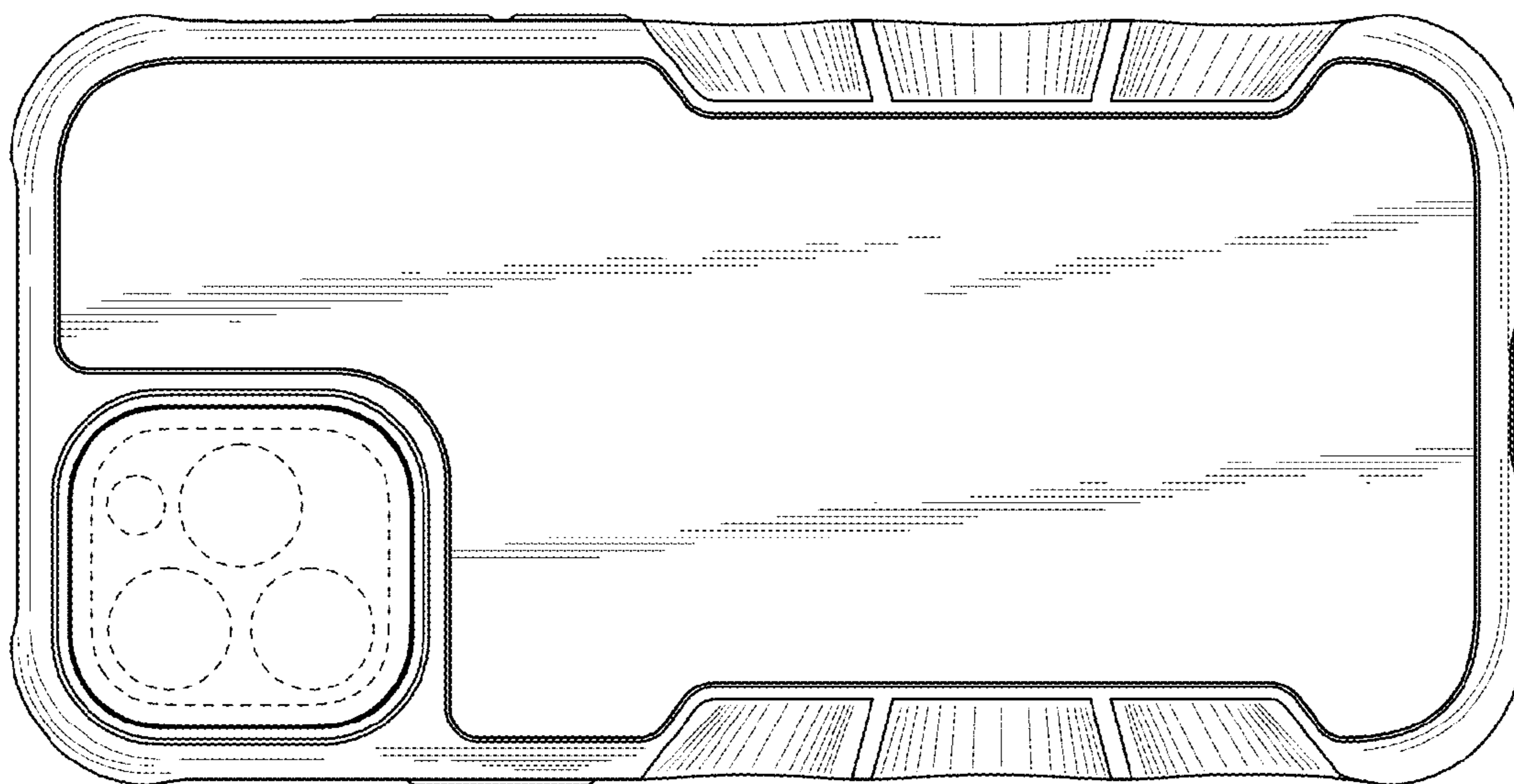


FIG. 3

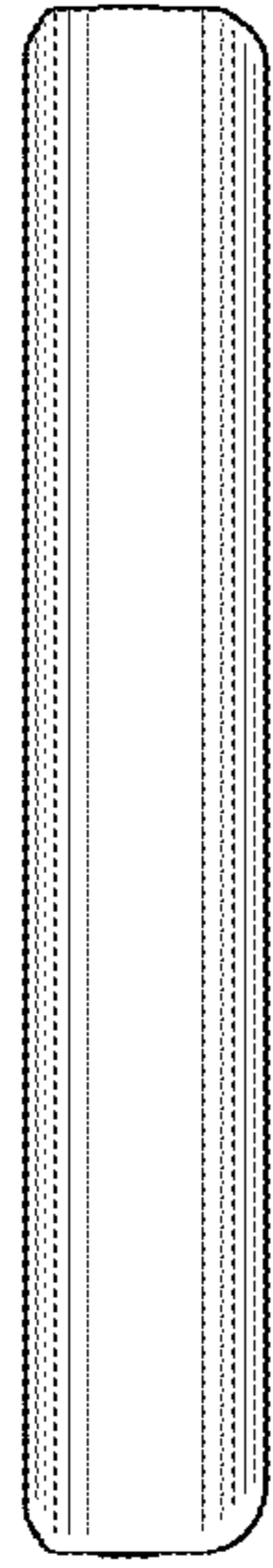


FIG. 7

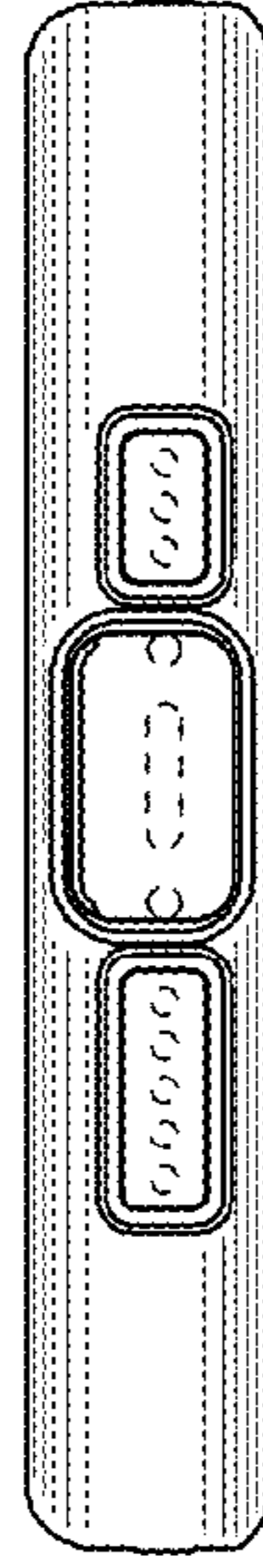


FIG. 8

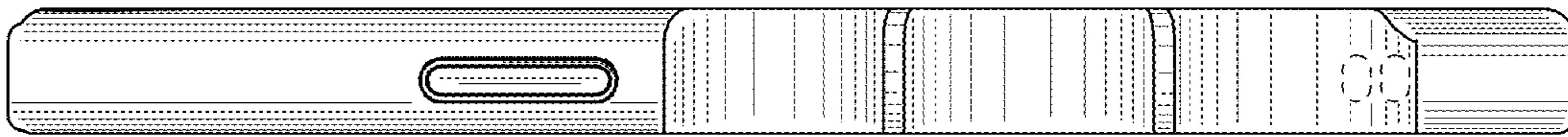


FIG. 6

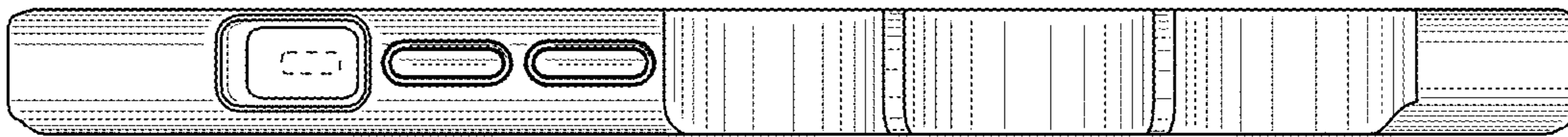


FIG. 5