



US00D986861S

(12) **United States Design Patent** (10) **Patent No.:** **US D986,861 S**
Su (45) **Date of Patent:** **** May 23, 2023**

(54) **VR STAND**

FOREIGN PATENT DOCUMENTS

(71) Applicant: **Wenzhi Su**, Wenchang (CN)

CN 306422151 * 3/2021
TW 222260-0001 * 11/2022

(72) Inventor: **Wenzhi Su**, Wenchang (CN)

OTHER PUBLICATIONS

(**) Term: **15 Years**

(21) Appl. No.: **29/822,429**

(22) Filed: **Jan. 10, 2022**

(51) **LOC (14) Cl.** **14-01**

(52) **U.S. Cl.**

USPC **D14/224.1**

(58) **Field of Classification Search**

USPC ... D14/223-224.1, 203.8, 205, 209.1, 238.1,
D14/251, 451; D8/396

CPC H04R 1/10; A47G 29/08

See application file for complete search history.

Hounyoln Holder VR Glass Stand, Amazon website 2023, site visited Jan. 13, 2023, <https://www.amazon.com/Hounyoln-Table-Side-Aluminum-Bracket-Dedicated/dp/BOB1D4YKCV/>.
VR Universal Headset Stand, Alibaba website 2023, site visited Jan. 13, 2023, https://www.alibaba.com/product-detail/Universal-VR-Glasses-Headset-Stand-Holder_60751667676.html.
“Kiwi design VR Stand for Oculus Quest 2 / Quest 1 / Rift / Rift S / GO / HTC Vive / Vive Pro / Valve Index VR Headset and Touch Controllers Accessories(Black)”, Retrieved Jan. 6, 2022. Retrieved from Internet, <https://www.amazon.co.uk/KIWI-design-Headset-Controller-Controllers/dp/B08627GCN1/ref>.

* cited by examiner

Primary Examiner — John R Yeh

(56) **References Cited**

(57) **CLAIM**

U.S. PATENT DOCUMENTS

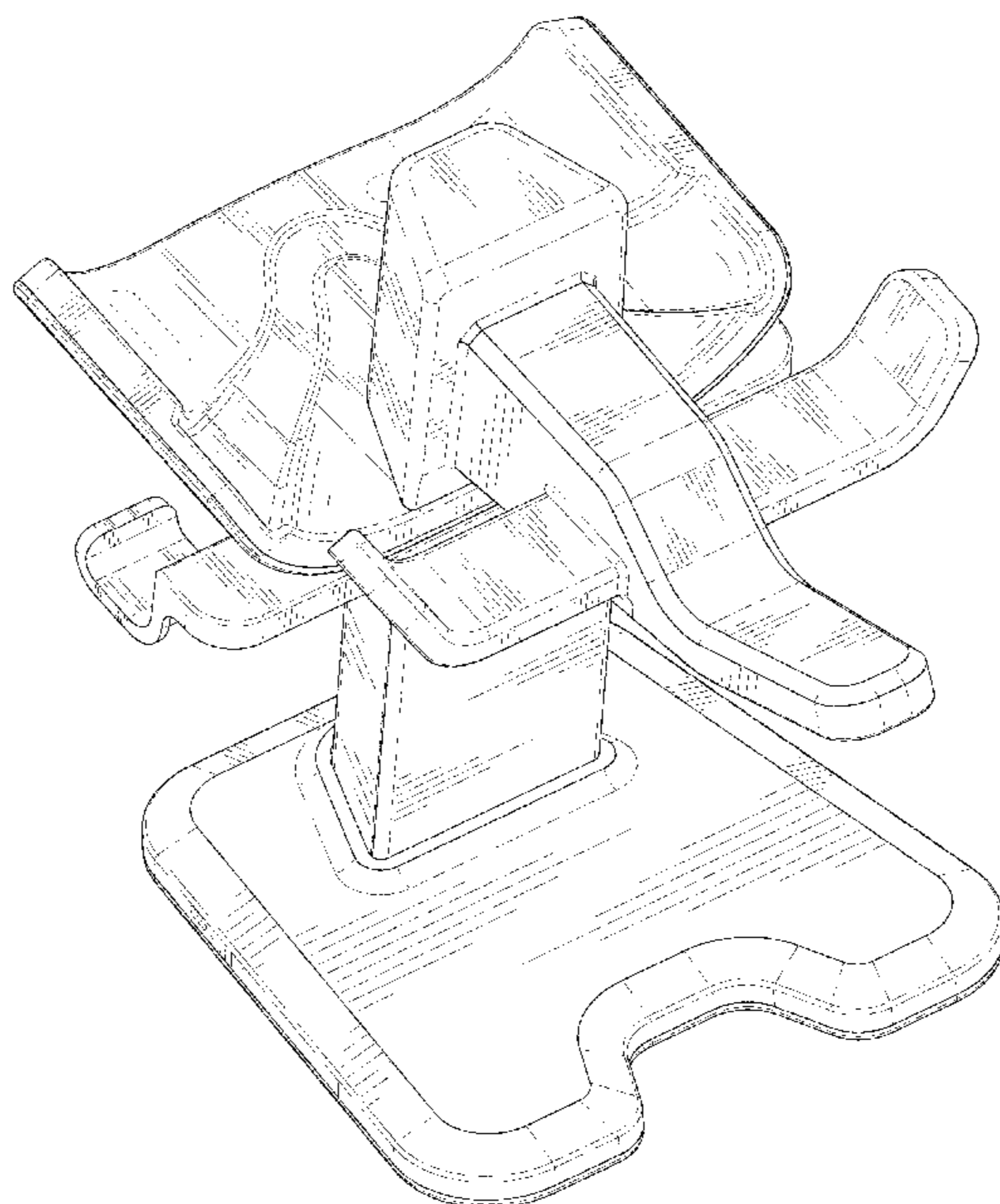
The ornamental design for a VR stand, as shown and described.

D432,404 S *	10/2000	Garfinkle	D8/395
D486,832 S *	2/2004	Masuda	D14/452
D487,094 S *	2/2004	Serbinski	D14/451
D602,008 S *	10/2009	Bentley	D14/224
D669,888 S *	10/2012	Gougherty	D14/223
D723,011 S *	2/2015	Symons	D14/224
D813,850 S *	3/2018	Young, III	D14/224
D822,666 S *	7/2018	Cai	D14/451
D827,617 S *	9/2018	Dillon	D14/224
D827,653 S *	9/2018	Dillon	D14/451
D841,450 S *	2/2019	Larson	D8/395
D855,038 S *	7/2019	Hu	D14/224
D881,167 S *	4/2020	Jiao	D14/224
D885,949 S *	6/2020	Machijima	D10/103
D965,569 S *	10/2022	Breines	D14/224
D969,784 S *	11/2022	Yang	D14/224
2005/0103957 A1 *	5/2005	Chang	F16M 11/22 248/311.2

DESCRIPTION

FIG. 1 is a perspective view of a VR stand showing my new design;
FIG. 2 is another perspective view thereof;
FIG. 3 is a front elevational view thereof;
FIG. 4 is a rear elevational view thereof;
FIG. 5 is a left side elevational view thereof;
FIG. 6 is a right side elevational view thereof;
FIG. 7 is a top plan view thereof; and,
FIG. 8 is a bottom plan view thereof.
The broken lines in the drawings depict portions of the VR stand that form no part of the claimed design.

1 Claim, 8 Drawing Sheets



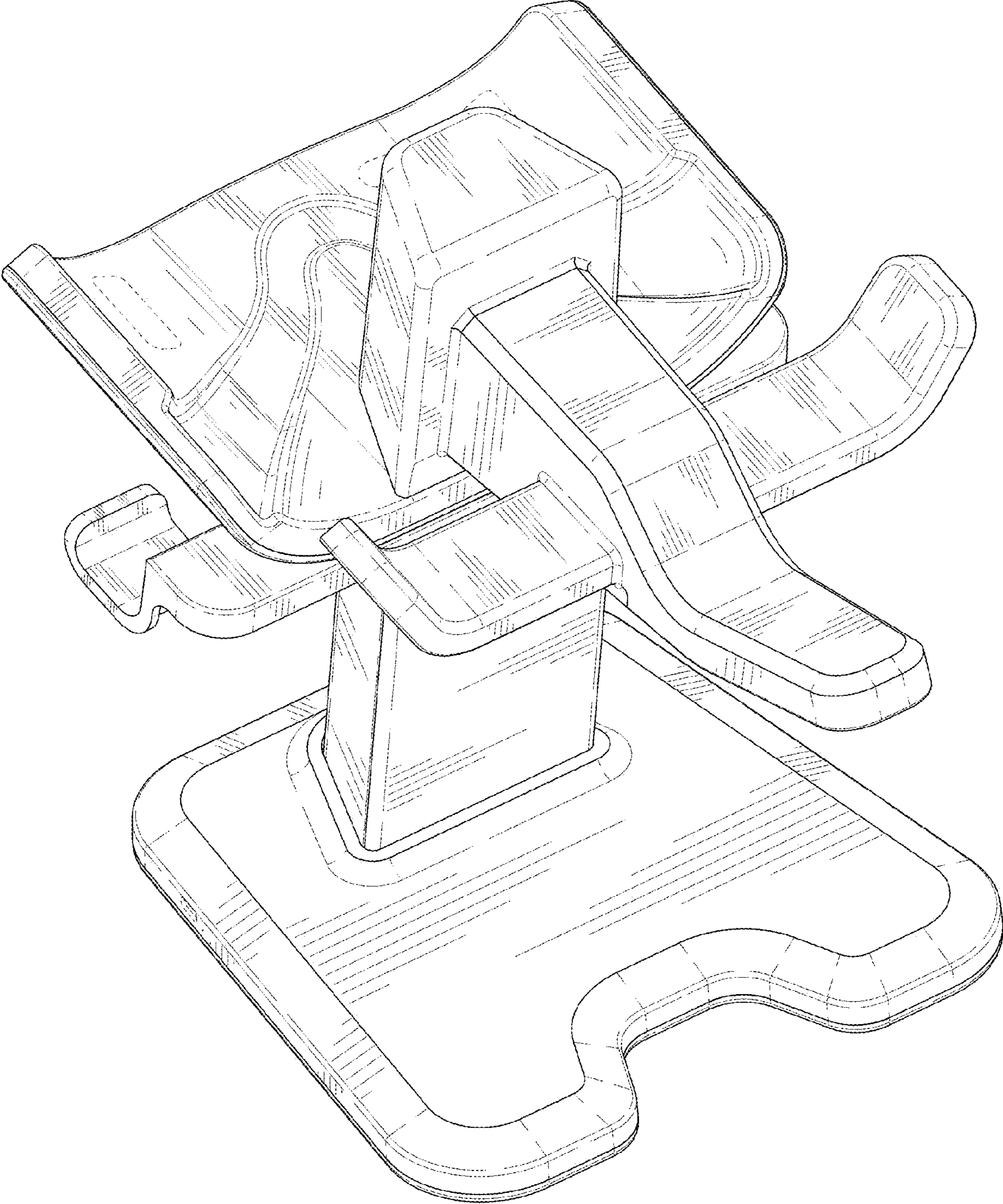


FIG. 1

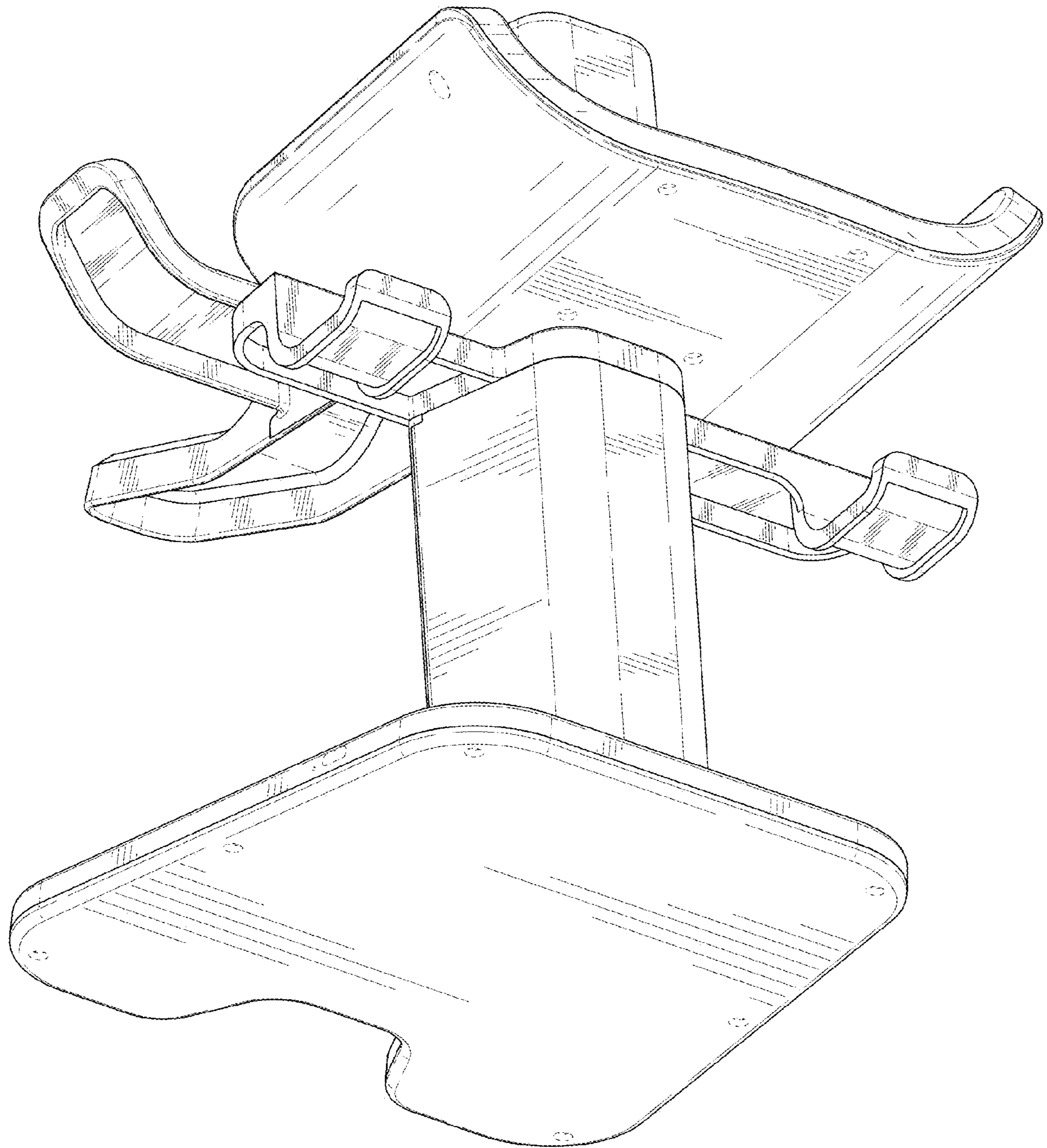


FIG. 2

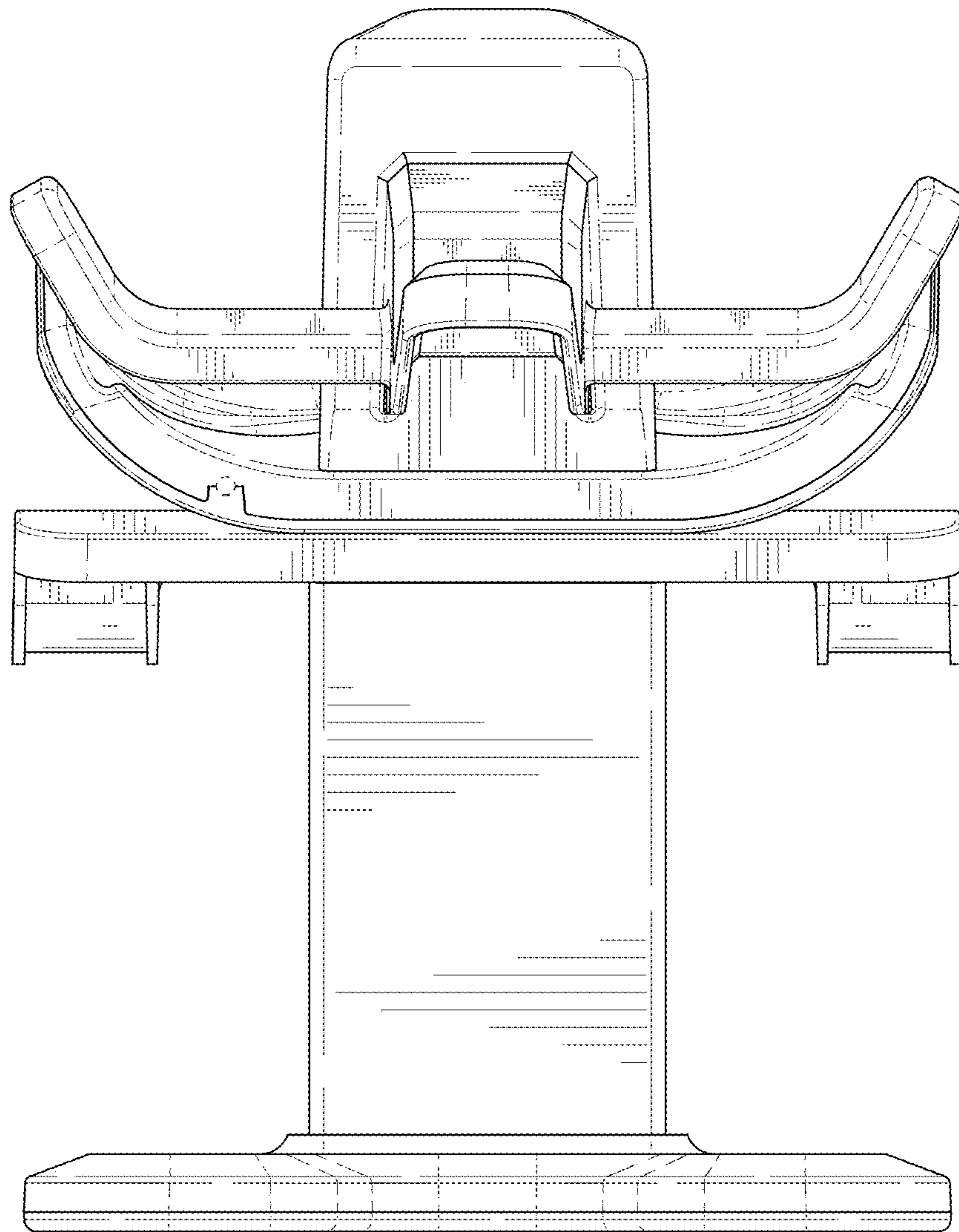


FIG. 3

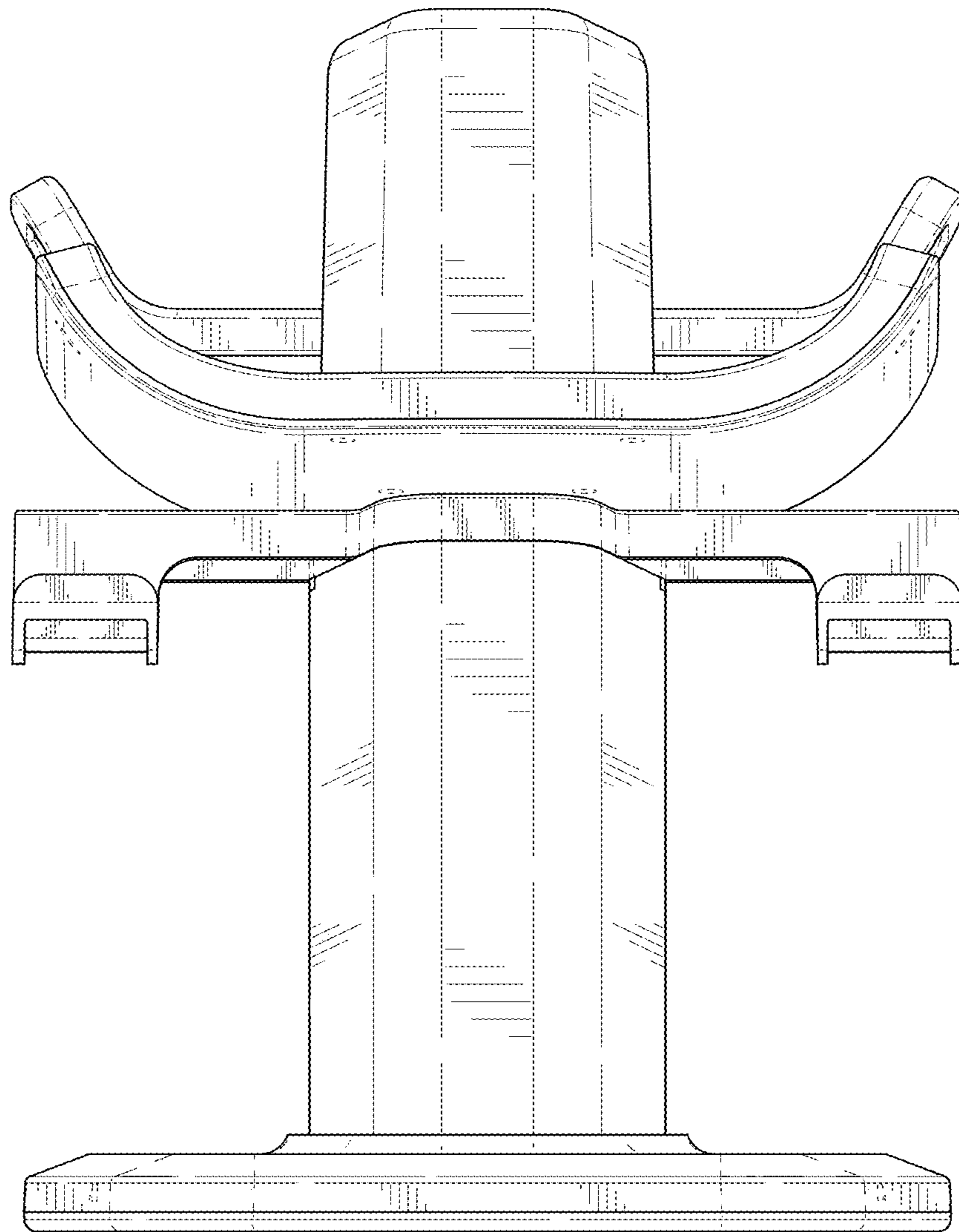


FIG. 4

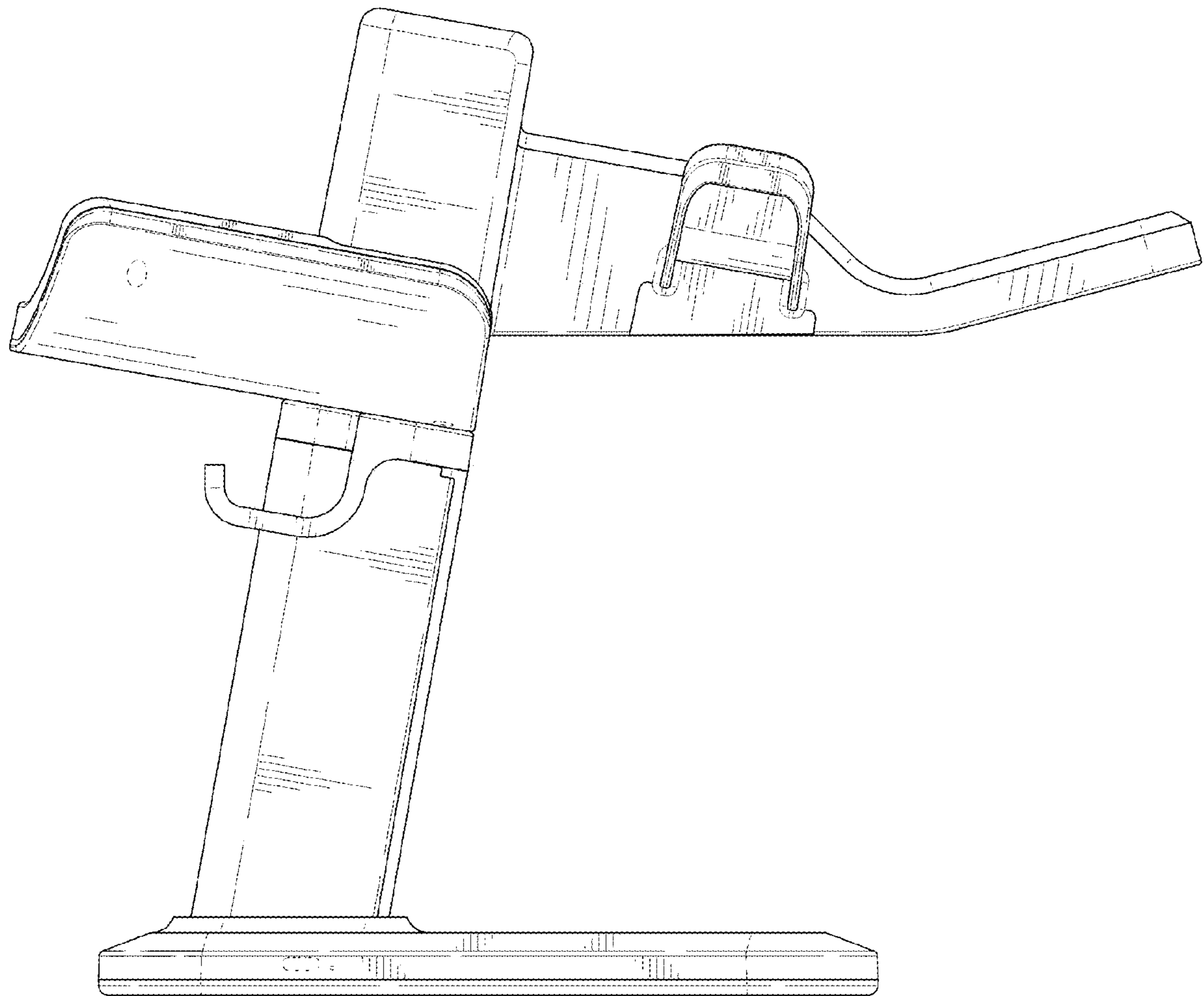


FIG. 5

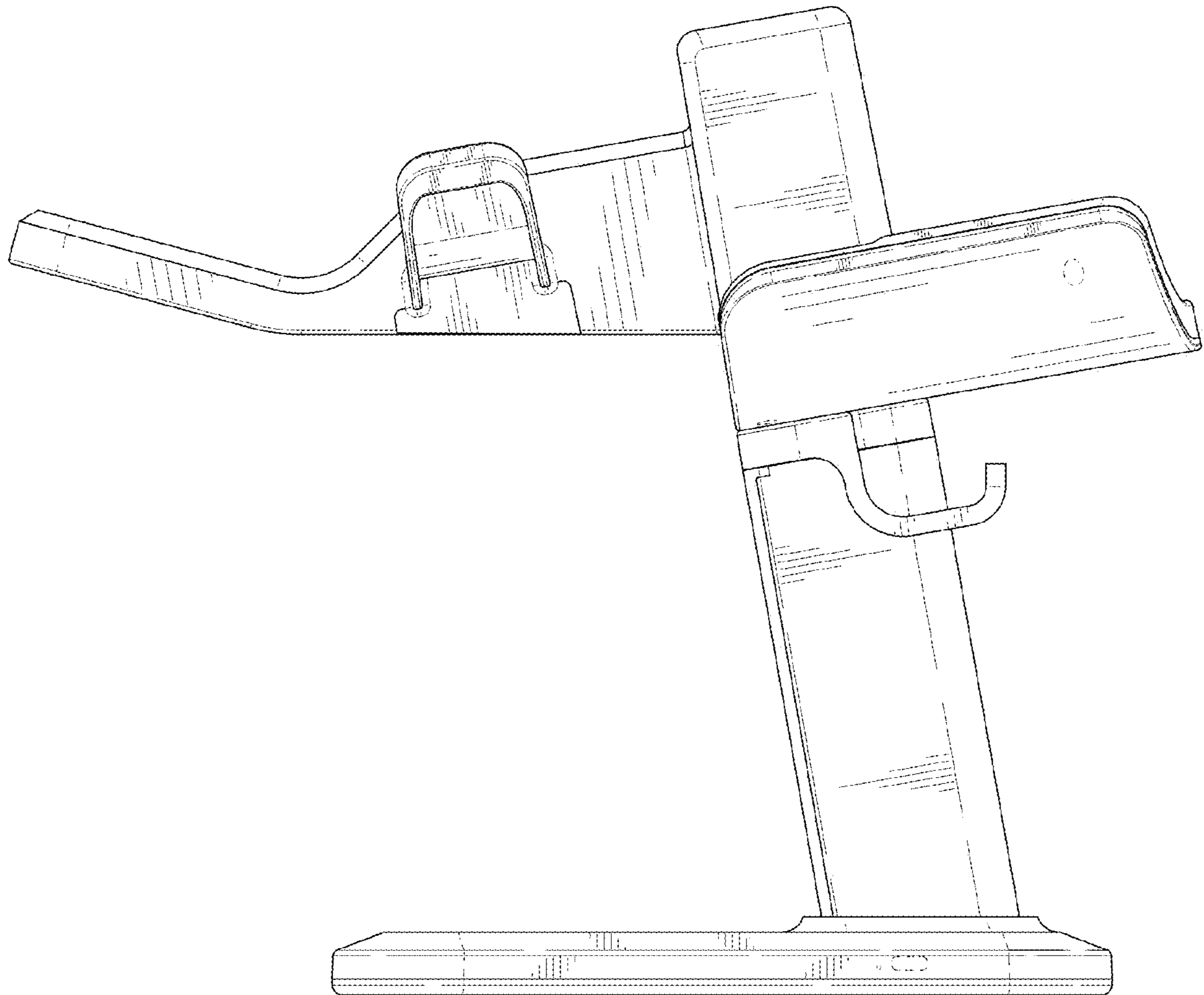


FIG. 6

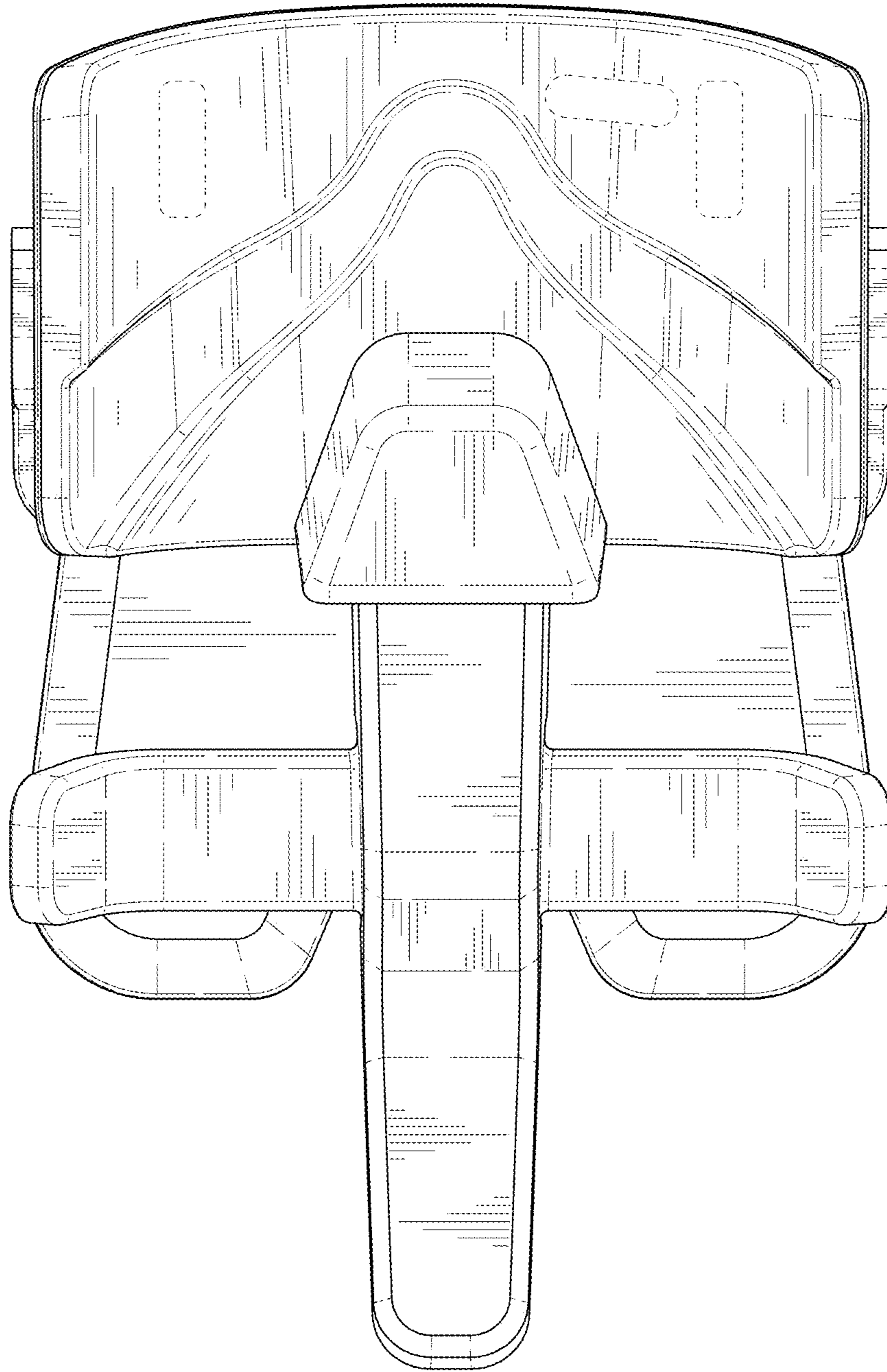


FIG. 7

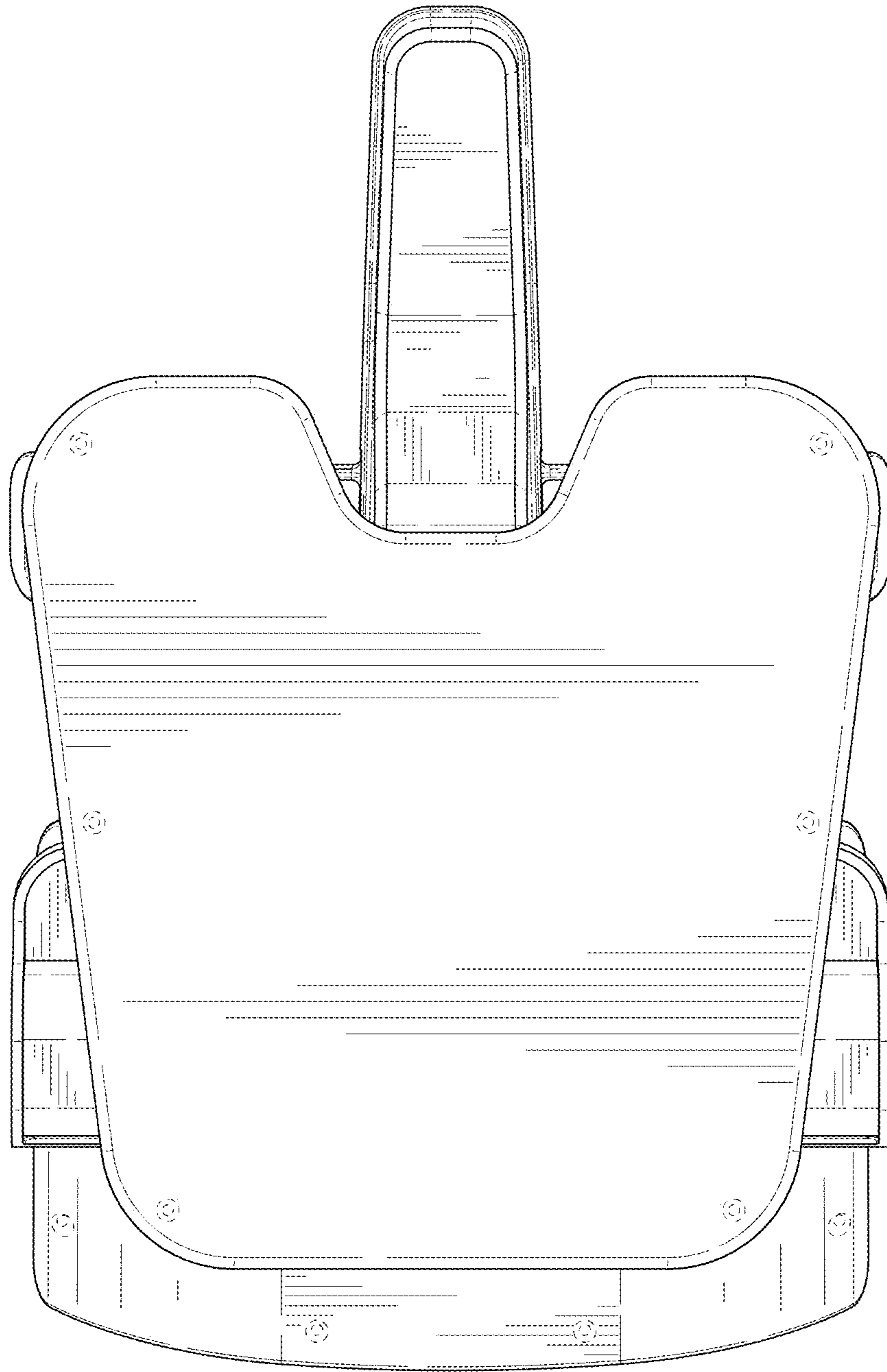


FIG. 8