



US00D986860S

(12) **United States Design Patent**
Wu

(10) **Patent No.:** **US D986,860 S**

(45) **Date of Patent:** **** May 23, 2023**

(54) **EARPHONE**

(71) Applicant: **Shen Zhen Ocen Technology Co. Ltd,**
Shenzhen (CN)

(72) Inventor: **Zhijun Wu,** Shenzhen (CN)

(73) Assignee: **SHEN ZHEN OCEN**
TECHNOLOGY CO. LTD, Shenzhen
(CN)

(**) Term: **15 Years**

(21) Appl. No.: **29/858,817**

(22) Filed: **Nov. 4, 2022**

(51) **LOC (14) Cl.** **14-01**

(52) **U.S. Cl.**
USPC **D14/223**

(58) **Field of Classification Search**
USPC D14/223, 205; D13/108; D24/174;
128/864–866; 381/380–381
CPC H04R 1/10; H04R 25/00; H04R 25/02;
H04R 1/1066; H04R 1/1016; H04R
5/033; H04R 5/0335; H04R 1/1058;
H04R 1/1083; H04R 1/1091; H02J
7/0044

See application file for complete search history.

(56) **References Cited**

U.S. PATENT DOCUMENTS

4,972,492 A * 11/1990 Tanaka H04R 1/1016
381/372
D340,932 S * 11/1993 Yan D14/249
D515,070 S * 2/2006 Andre D14/205
D554,109 S * 10/2007 Ledbetter D14/223
D555,152 S * 11/2007 Wang D14/223
D573,977 S * 7/2008 Ledbetter D14/205
D632,680 S * 2/2011 Anneback D14/228
D652,823 S * 1/2012 Chen H04R 1/1016
D14/223
D662,493 S * 6/2012 Chen D14/223

D671,531 S * 11/2012 Kim D14/223
D681,015 S * 4/2013 Akana H04R 1/10
D14/223
8,712,087 B2 * 4/2014 Ozawa H04R 1/345
381/328
8,831,266 B1 * 9/2014 Huang H04R 1/2826
381/372
9,042,588 B2 * 5/2015 Aase H04R 1/1091
381/74
D733,101 S * 6/2015 Pi D14/223
D757,682 S * 5/2016 Perez D14/205
D801,314 S * 10/2017 Akana D14/223
D820,809 S * 6/2018 Akana D14/219
D832,823 S * 11/2018 Xiao D14/223
D847,795 S 5/2019 Kim et al.

(Continued)

FOREIGN PATENT DOCUMENTS

CN 306242145 * 12/2020
CN 306401934 * 3/2021

(Continued)

Primary Examiner — Paula Allen Greene

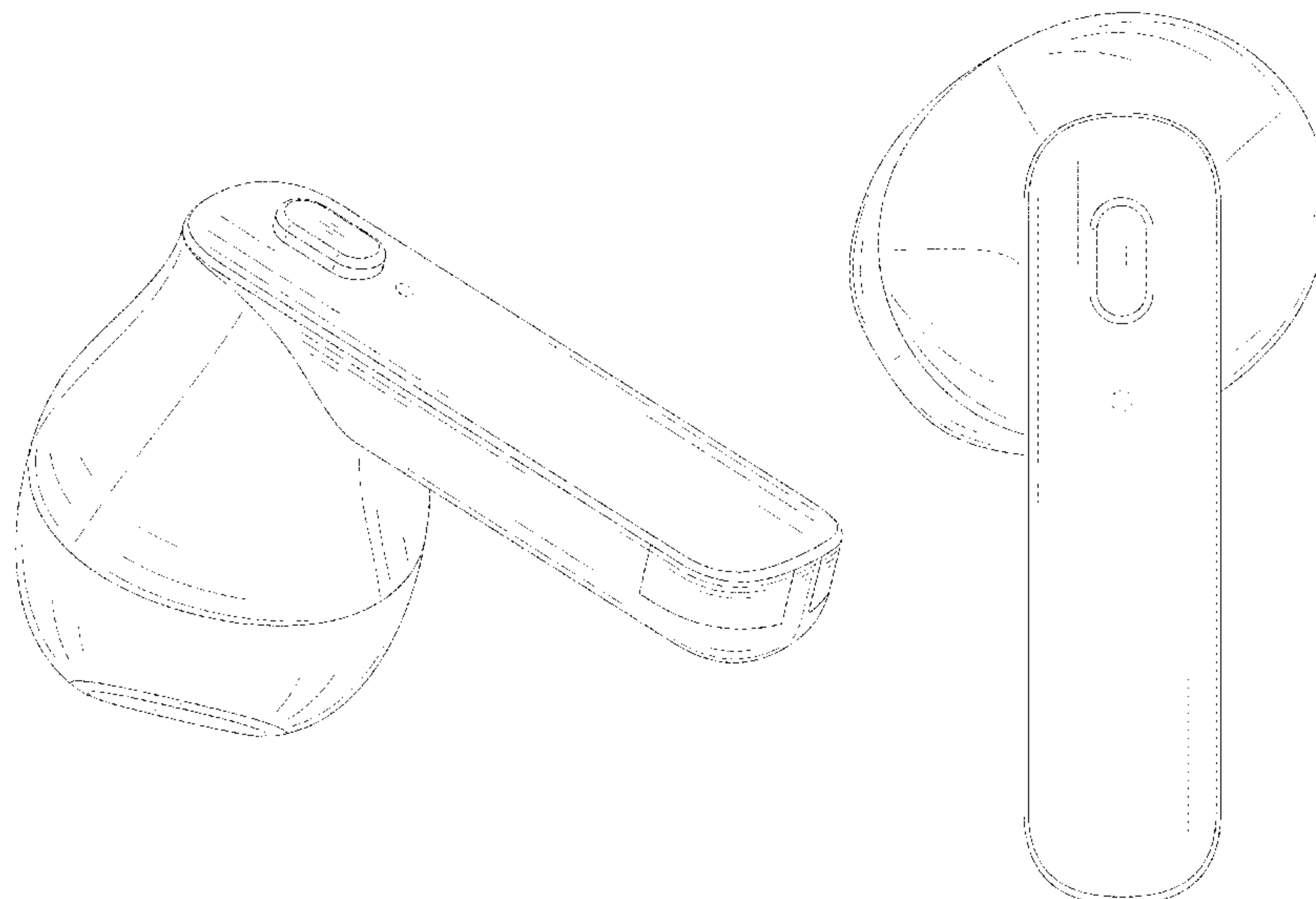
(57) **CLAIM**

The ornamental design for an earphone, as shown and described.

DESCRIPTION

FIG. 1 is a perspective view of an earphone showing my design;
FIG. 2 is another perspective view thereof;
FIG. 3 is a front elevational view thereof;
FIG. 4 is a rear elevational view thereof;
FIG. 5 is a left side elevational view thereof;
FIG. 6 is a right side elevational view thereof;
FIG. 7 is a top plan view thereof; and,
FIG. 8 is a bottom plan view thereof.
The broken lines in the drawings depict portions of the earphone that form no part of the claimed design.

1 Claim, 8 Drawing Sheets



(56)

References Cited

U.S. PATENT DOCUMENTS

D848,979 S 5/2019 Kim et al.
 D869,445 S * 12/2019 Hu D14/223
 D872,711 S * 1/2020 Hu D14/223
 D878,337 S * 3/2020 Yang D14/223
 D889,436 S * 7/2020 Zhang D14/206
 D900,065 S * 10/2020 Distefano D14/223
 D903,639 S * 12/2020 Yang D14/223
 D904,351 S * 12/2020 Zhang D14/223
 D914,652 S * 3/2021 Chen D14/223
 D916,684 S * 4/2021 Fang D14/223
 D916,685 S * 4/2021 Fang D14/223
 D924,851 S * 7/2021 Li D14/223
 D925,500 S * 7/2021 Chen D14/223
 D926,733 S * 8/2021 Wu D14/223
 D930,623 S 9/2021 Liu
 D941,276 S * 1/2022 Levy D14/223
 D956,719 S * 7/2022 Huang D14/223
 D964,969 S * 9/2022 Xun D14/223
 D967,070 S * 10/2022 He D14/223
 D967,805 S * 10/2022 Hong D14/223
 D967,807 S * 10/2022 Lyu D14/223
 D971,183 S * 11/2022 He D14/223
 2012/0237074 A1 * 9/2012 Aase H04R 1/1058
 29/858

2012/0275635 A1 * 11/2012 Chen H04R 1/1075
 381/380
 2013/0004011 A1 * 1/2013 Hayashida H04R 1/345
 381/380
 2017/0164087 A1 * 6/2017 Kurtz H04R 1/1016
 2020/0100010 A1 * 3/2020 Yang G06F 3/044
 2020/0107098 A1 * 4/2020 DiFonzo H01F 1/147
 2020/0252715 A1 * 8/2020 Zhou H04R 1/1016
 2020/0275182 A1 * 8/2020 Ettensberger H04R 1/1041
 2021/0014603 A1 * 1/2021 Wei G01V 3/088
 2021/0099791 A1 * 4/2021 Grinker H04R 1/2826

FOREIGN PATENT DOCUMENTS

CN 306984722 * 12/2021
 CN 307278828 * 4/2022
 CN 307417178 * 6/2022
 CN 307516716 * 8/2022
 EM 008443071-0001 * 2/2021
 EM 008536924-0001 * 5/2021
 EM 008649842-0001 * 8/2021
 EM 009191828-0002 * 9/2022
 GB 6191627 * 2/2022
 JP D1696912 * 9/2021

* cited by examiner

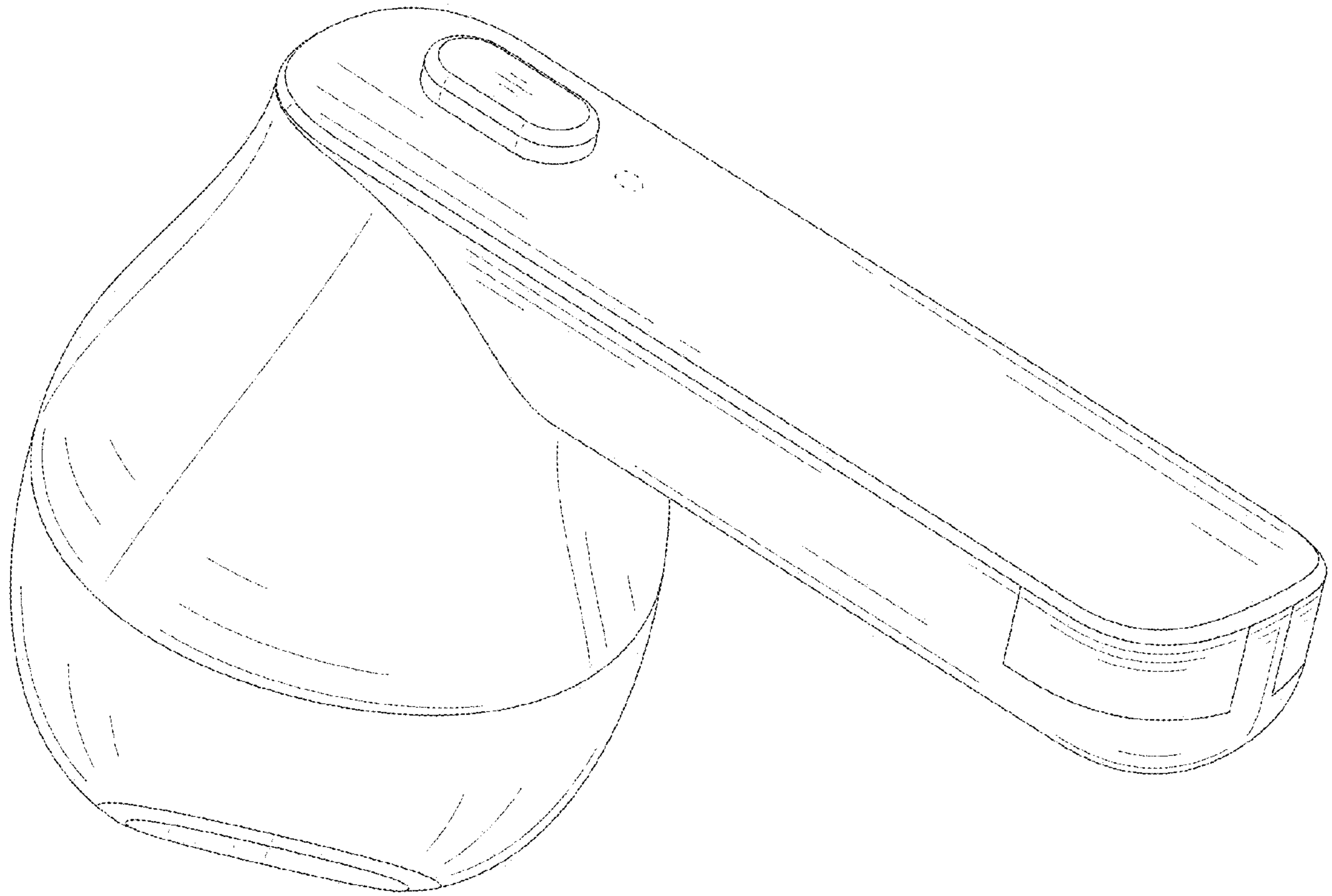


FIG. 1

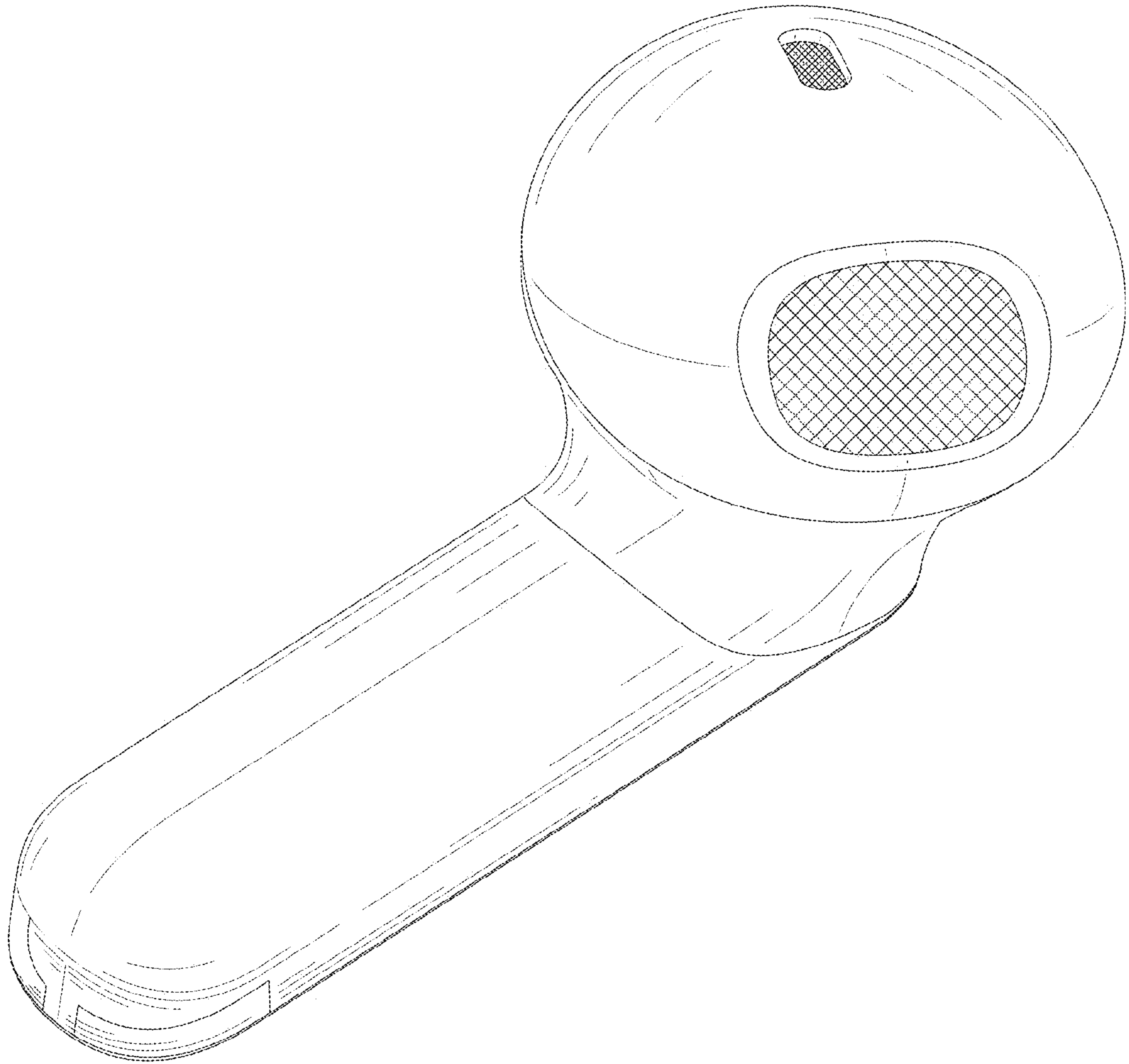


FIG. 2

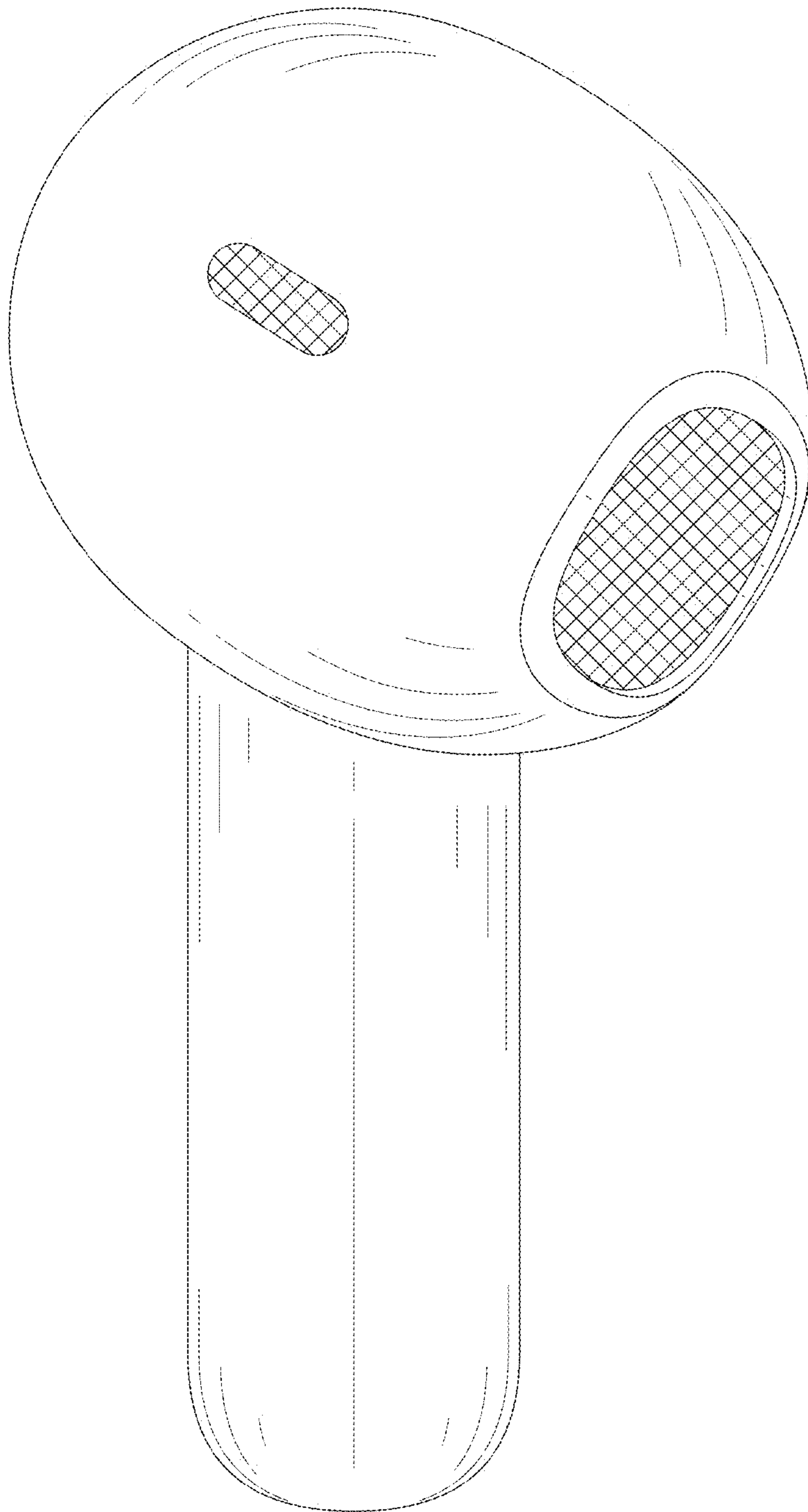


FIG. 3

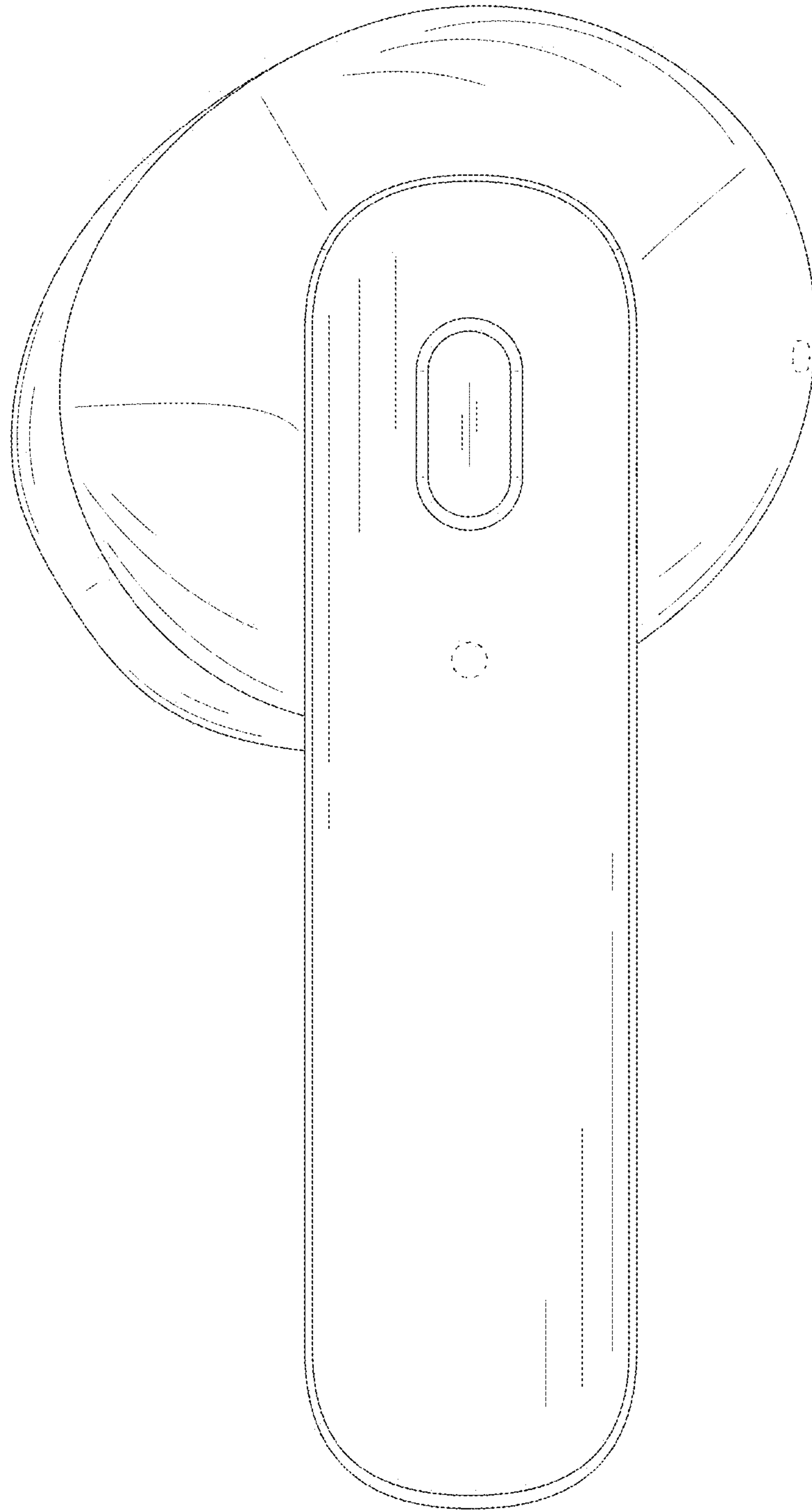


FIG. 4

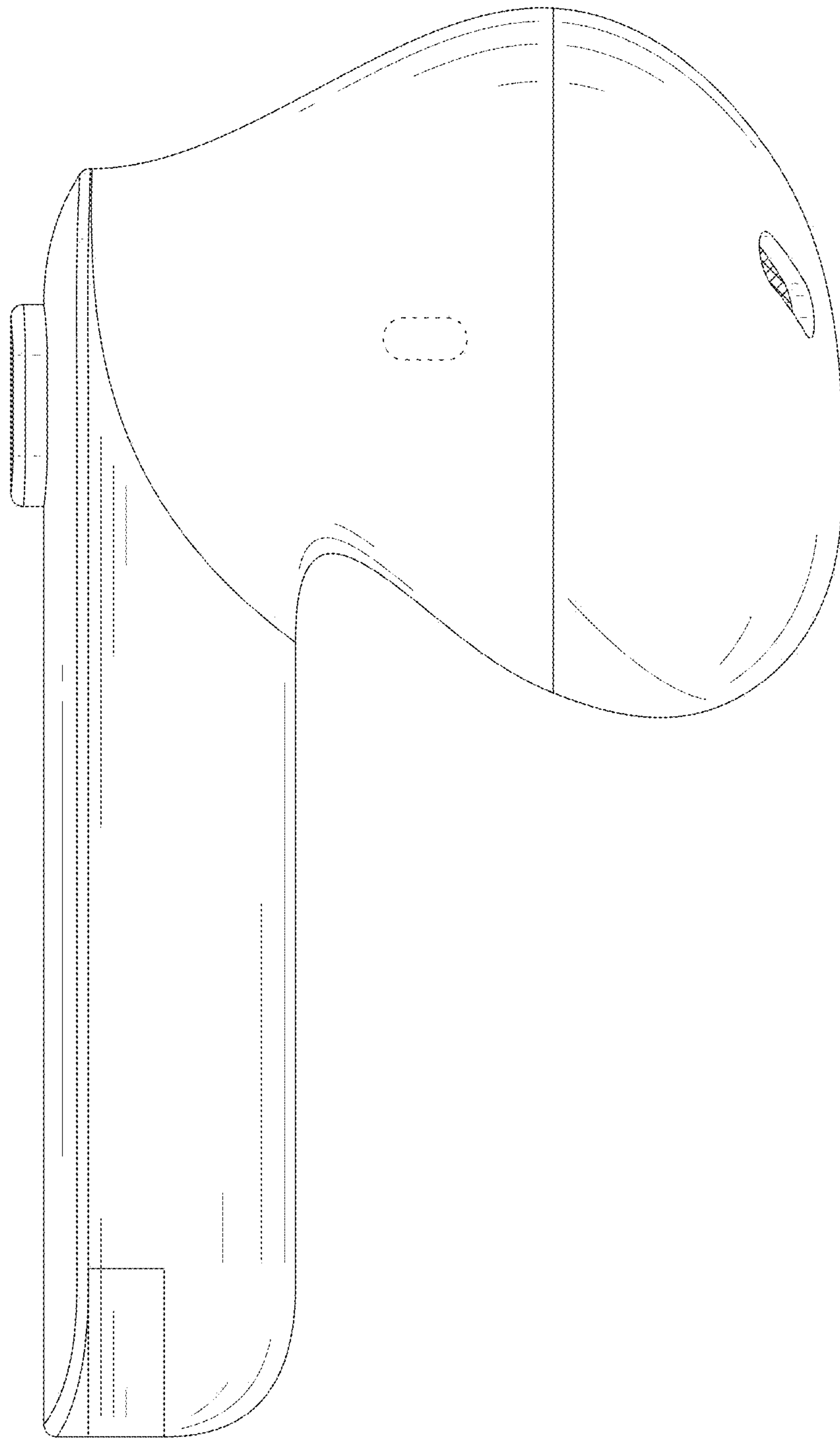


FIG. 5

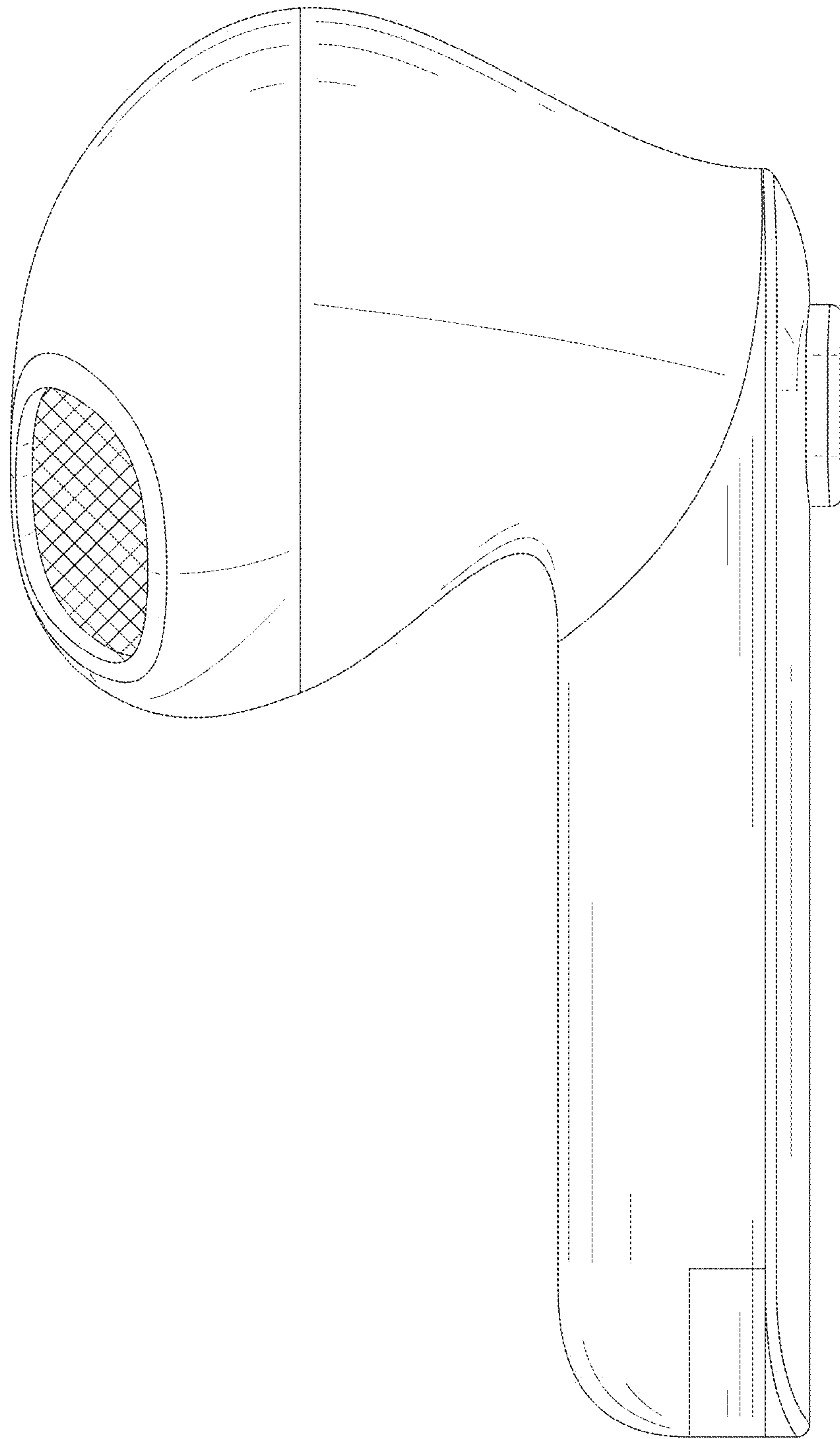


FIG. 6

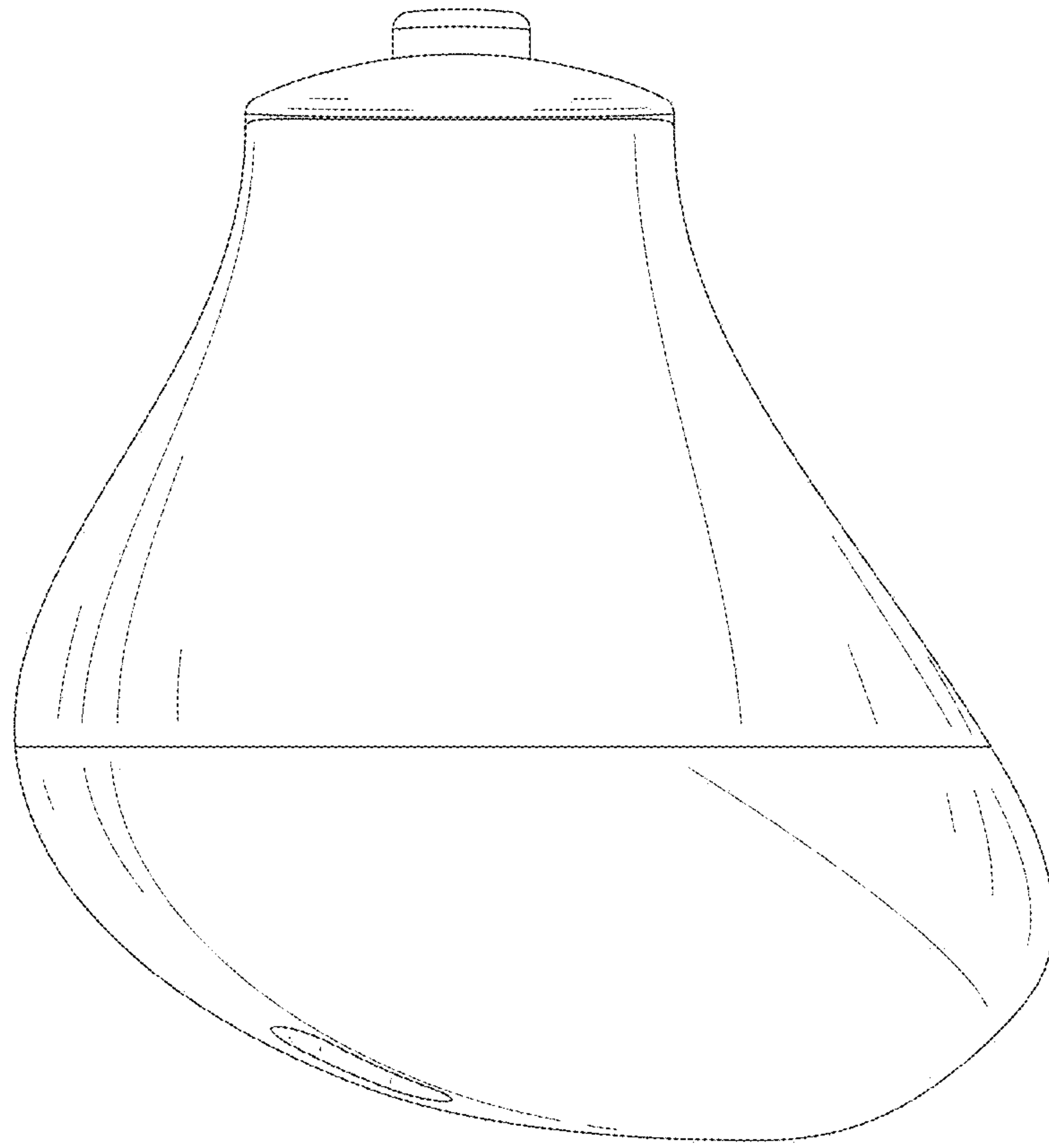


FIG. 7

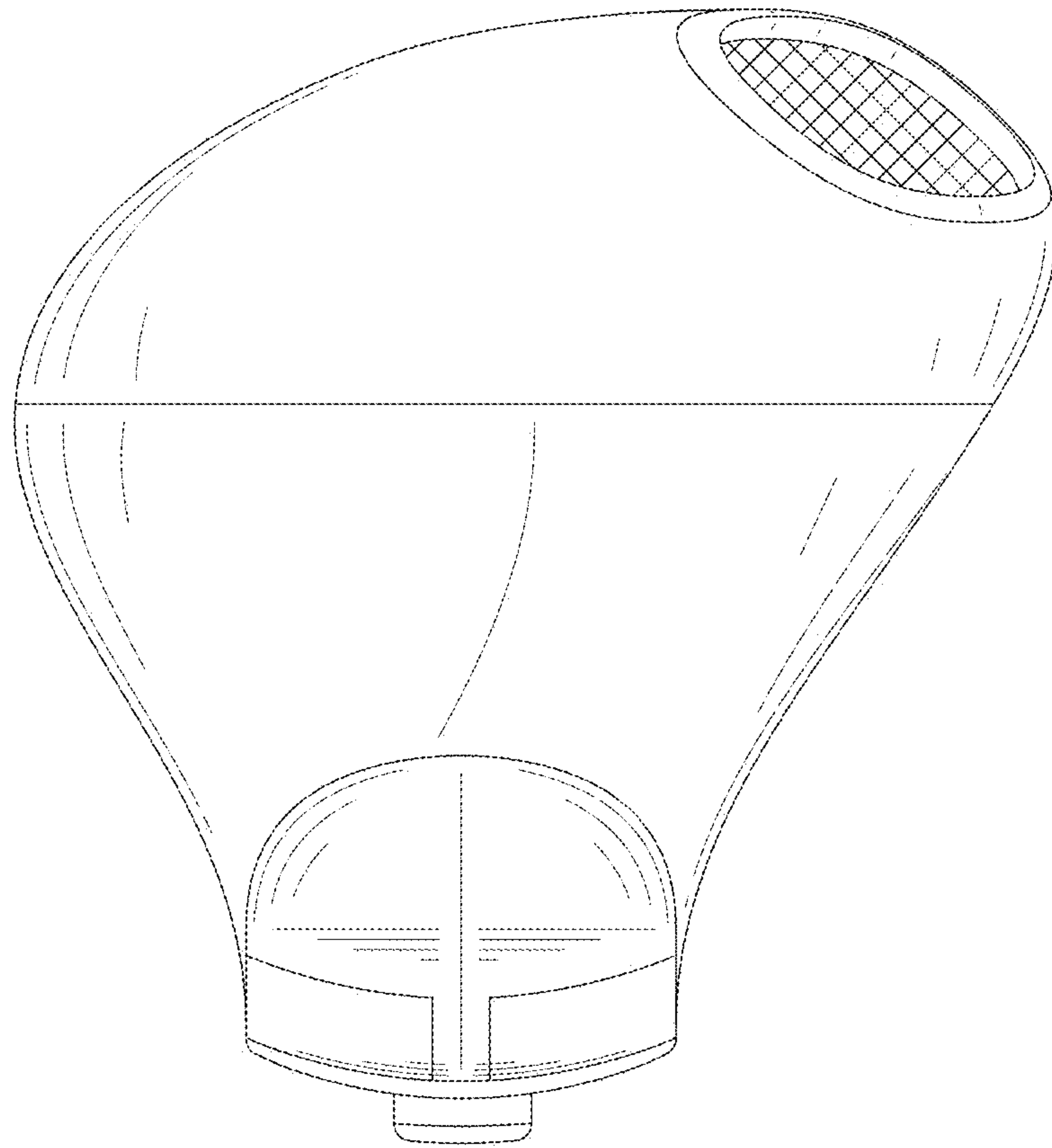


FIG. 8

UNITED STATES PATENT AND TRADEMARK OFFICE
CERTIFICATE OF CORRECTION

PATENT NO. : D986,860 S
APPLICATION NO. : 29/858817
DATED : May 23, 2023
INVENTOR(S) : Zhijun Wu

Page 1 of 1

It is certified that error appears in the above-identified patent and that said Letters Patent is hereby corrected as shown below:

On the Title Page

Add Foreign Application Priority Data, Item (30), as follows:

Oct. 17, 2022 (CN) 2022306832577

Signed and Sealed this
Twenty-third Day of April, 2024
Katherine Kelly Vidal

Katherine Kelly Vidal
Director of the United States Patent and Trademark Office