



US00D986858S

(12) **United States Design Patent** (10) **Patent No.:** **US D986,858 S**  
**Reimann et al.** (45) **Date of Patent:** **\*\* May 23, 2023**

(54) **EARBUD**  
(71) Applicant: **Google LLC**, Mountain View, CA (US)  
(72) Inventors: **Gina Reimann**, Los Gatos, CA (US);  
**Jung Cheng Su**, Taipei (TW); **Maj Isabelle Olsson**, Sunnyvale, CA (US);  
**Dustin Lee**, San Francisco, CA (US);  
**Jeremy David Baker**, San Jose, CA (US)  
(73) Assignee: **GOOGLE LLC**, Mountain View, CA (US)

(\*\*) Term: **15 Years**

(21) Appl. No.: **29/779,375**

(22) Filed: **Apr. 19, 2021**

(51) **LOC (14) Cl.** ..... **14-01**

(52) **U.S. Cl.**  
USPC ..... **D14/223**

(58) **Field of Classification Search**  
USPC ..... D14/223, 205, 206; D24/174, 217, 218;  
128/864, 865, 866; 181/129, 130, 135;  
379/430, 431; 381/380, 381, 322-324,  
381/330; 455/90.3, 575, 1, 569.1;  
D9/415, 432, 721; D3/274, 294;  
D13/108  
CPC ..... H04R 1/10; H04R 25/00; H04R 1/1016;  
H04R 1/1066; H04R 5/033; H04R  
5/0335; H04R 1/1091; H04R 1/1058;  
H04R 1/105; H04R 1/1083

See application file for complete search history.

(56) **References Cited**

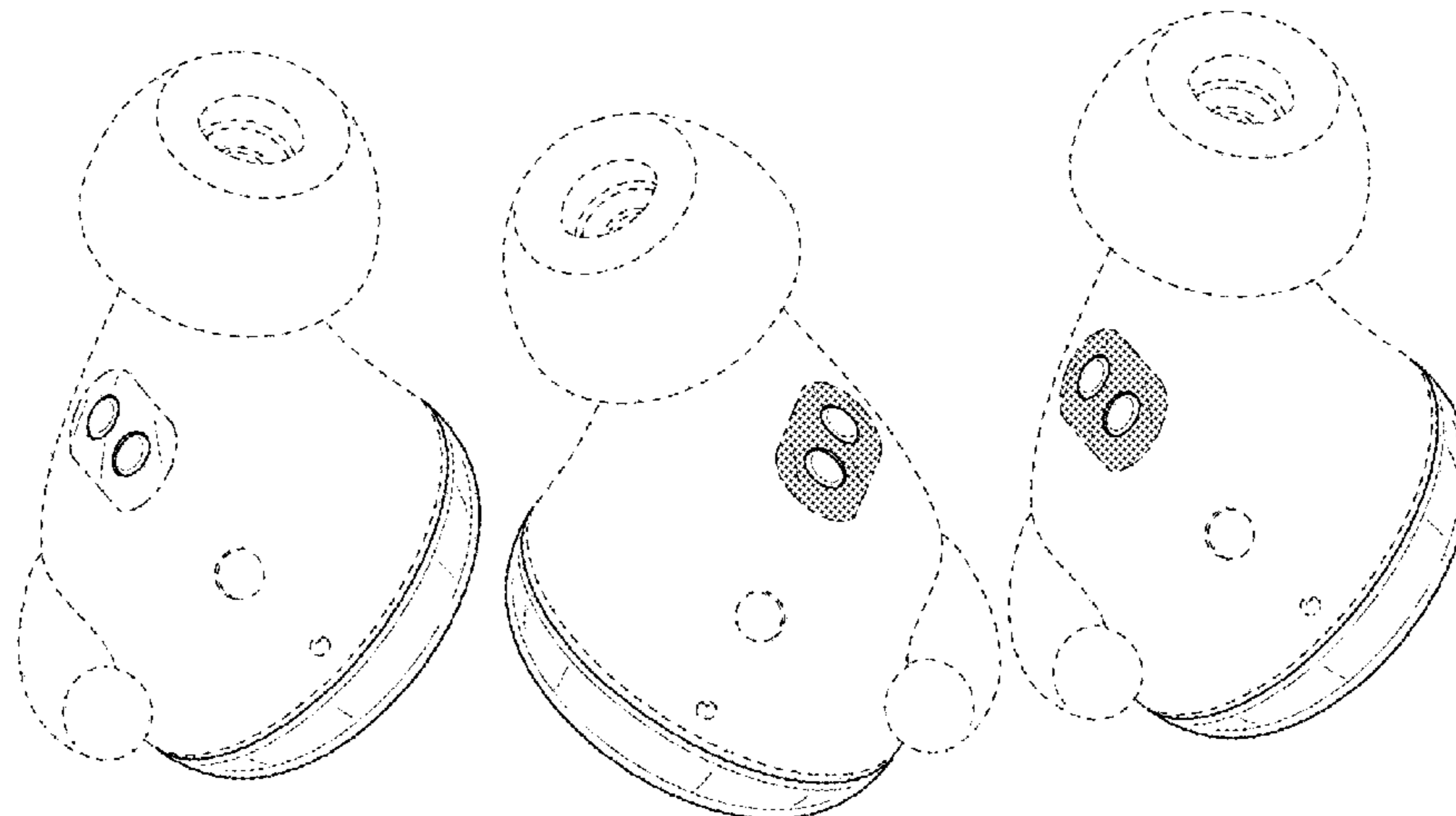
U.S. PATENT DOCUMENTS

D777,149 S 1/2017 Bonahoom et al.  
D805,060 S 12/2017 Loermann et al.  
D817,309 S \* 5/2018 Czaniecki ..... D14/223  
D826,211 S 8/2018 Kim  
10,149,037 B1 12/2018 Chen  
D838,259 S 1/2019 Samrelius  
D843,353 S 3/2019 Zhang

D856,523 S 8/2019 Green et al.  
D867,326 S 11/2019 Sweet et al.  
D868,752 S \* 12/2019 Zhu ..... D14/223  
D870,710 S 12/2019 Cai  
D871,376 S 12/2019 Zhou  
D872,065 S 1/2020 Cai  
D873,805 S \* 1/2020 Yang ..... D14/223  
D875,071 S 2/2020 Wei et al.  
D876,398 S 2/2020 Cai  
D880,457 S \* 4/2020 Zhu ..... D14/223  
D883,958 S \* 5/2020 Liu ..... D14/223  
D890,727 S \* 7/2020 Park ..... D14/223  
D892,085 S 8/2020 Kim  
D894,158 S 8/2020 Gu  
D895,580 S \* 9/2020 Yu ..... D14/223  
D897,321 S 9/2020 Wei  
D900,064 S 10/2020 Mazieres  
D902,186 S 11/2020 Sun et al.  
D902,892 S 11/2020 Liu  
10,827,249 B1 11/2020 Pine et al.  
D903,638 S \* 12/2020 Li ..... D14/223  
D904,349 S 12/2020 Saxton et al.  
D904,352 S \* 12/2020 Park ..... H04R 1/1016  
D14/223  
D909,998 S 2/2021 Du  
D914,650 S 3/2021 Hu  
D916,054 S 4/2021 Sretovic  
D920,958 S \* 6/2021 Ye ..... D14/223  
D922,357 S 6/2021 Yang  
D922,358 S 6/2021 Li  
D924,848 S \* 7/2021 Yang ..... D14/223  
D924,850 S 7/2021 Takubo et al.  
D925,492 S \* 7/2021 Sugiura ..... D14/223  
D925,493 S 7/2021 Kirkpatrick  
D928,124 S \* 8/2021 Liu ..... D14/223  
D929,966 S 9/2021 Arimoto  
D942,423 S 2/2022 Reimann et al.  
D945,400 S 3/2022 Tian  
D948,481 S 4/2022 Czaniecki  
D956,018 S 6/2022 Reimann et al.  
D956,019 S 6/2022 Reimann et al.  
D956,020 S 6/2022 Reimann et al.  
2017/0318369 A1 11/2017 Wang  
2021/0076131 A1 3/2021 Minich et al.

FOREIGN PATENT DOCUMENTS

CN 305089686 S 4/2019  
CN 306128884 10/2020  
CN 306140836 S 10/2020  
CN 306203563 S 12/2020  
CN 306210306 S 12/2020  
CN 306503009 4/2021





HK	1913740001	5/2019
IN	2810950001	3/2016
IN	3514610010001	10/2021
JP	1557844 S	9/2016
JP	1605118 S	5/2018
JP	1670157 S	10/2020
JP	D1674098	11/2020
KR	300978623 S	10/2018
KR	3011069960001	4/2021
TW	2119520001	4/2020

OTHER PUBLICATIONS

“Nikkei Trandy.” Jan. 2018, No. 425, Dec. 4, 2017, p. 26.  
 “Tokusengai.” New Products Mar. 2017, No. 3, vol. 39, Feb. 3, 2017, p. 109.  
 Wego Co., LTD. From Website for Japanese Online Clothing Retail Store. 2019. 6 pages.  
 Roy, Jacqueline et al. “Apple reveals new AirPods Pro, available Oct. 30,” Newsroom, Oct. 28, 2019, 9 pages, Apple Inc.  
 Sony WF-1000XM4 review: All-round audio excellence, announced Jul. 7, 2021 [online], retrieved Jul. 14, 2021, retrieved from internet, <https://www.expertreviews.co.uk/sony/1413933/sony-wf-1000xm4-review>.  
 Google Pixel Buds 2020 vs Microsoft Surface Earbuds, announced Jul. 13, 2020 [online], retrieved Jul. 14, 2021, retrieved from internet, <https://www.itworldcanada.com/article/google-pixel-buds-2020-vs-microsoft-surface-earbuds-which-one-should-you-buy/433015>.  
 Meet the new Google Pixel Buds, announced Oct. 15, 2019 [online], retrieved Jul. 14, 2021, retrieved from internet, <https://blog-google/products/pixel/new-pixel-buds/>.  
 Galaxy Buds Pro, Phantom Violet, retrieved from Internet Jul. 14, 2021.  
 Buttons Air Hex True Wireless Earbuds With Charging Case, announced © 2021 [online], retrieved Jul. 14, 2021, retrieved from internet, <https://www.headphones.sg/bullons-air-hex-true-wireless-earbuds-with-charging-case-black>.  
 Ok, Google: Pixel Buds 2 are the real deal, announced Aug. 2, 2020 [online], retrieved Apr. 20, 2022, retrieved from internet, <https://www.cnet.com/reviews/google-pixel-buds-2-real-deal-in-depth-review/>.  
 Earin—Truly Wireless and Innovative, announced Jan. 12, 2016 [online], retrieved Apr. 20, 2022, retrieved from internet, <http://www.audiosplitz.com/2016/01/earin-ful-1-review.html>.  
 Google Pixel Buds Gen 2 True Wireless In-Ear Headphones, announced May 21, 2020 [online], retrieved Apr. 20, 2022, retrieved from internet, [https://www.bhphotovideo.com/c/product/1547286-REG/google\\_ga01470\\_us\\_pixel\\_buds\\_clearly\\_white.html/reviews](https://www.bhphotovideo.com/c/product/1547286-REG/google_ga01470_us_pixel_buds_clearly_white.html/reviews).  
 Google Pixel Buds review: A great idea that needs more work, announced Dec. 13, 2017 [online], retrieved Jul. 21, 2022, retrieved from internet, <https://www.hardwarezone.com.sg/review-google-pixel-buds-review-great-idea-needs-more-work>.  
 Best wireless earbuds 2022, announced Mar. 25, 2022 [online], retrieved Jul. 21, 2022; retrieved from internet, <https://www.radiotimes.com/technology/technology-gadgets/best-wireless-earbuds/>.  
 Review: Google Pixel Buds A-Series, announced Jun. 6, 2021 [online], retrieved Apr. 20, 2022, retrieved from internet, <https://www.wired.com/review/google-pixel-buds-a-series/>.  
 Taiwan Office Action and Search Report, TW Application No. 110305588, dated Aug. 4, 2022, 12 pages, with translation.

\* cited by examiner

Primary Examiner — Katie Jane Stofko  
 (74) Attorney, Agent, or Firm — Leason Ellis LLP

(57) CLAIM

The ornamental design for an earbud, as shown and described.

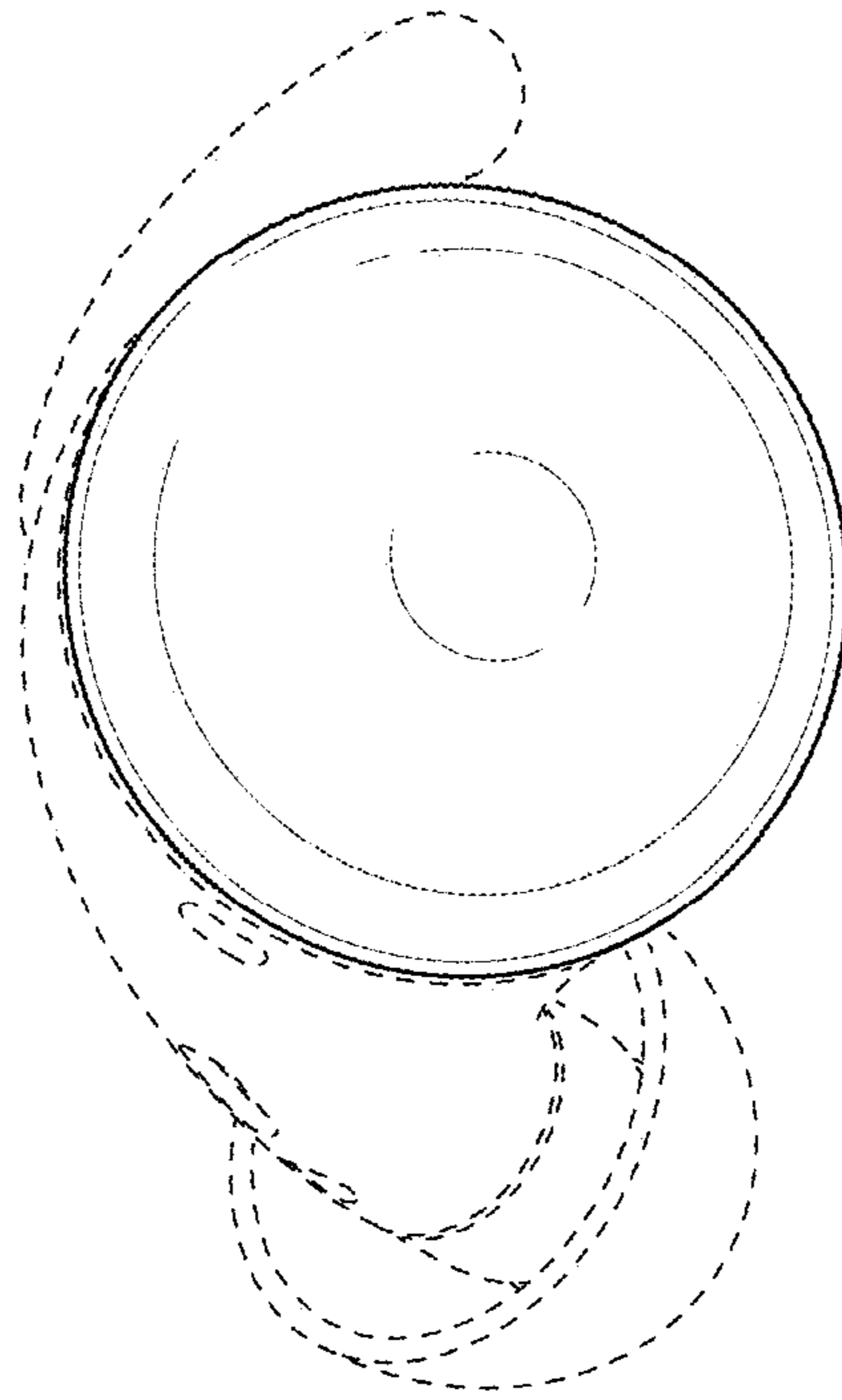
DESCRIPTION

FIG. 1 is a front and right side perspective view of a first embodiment of an earbud showing our new design;

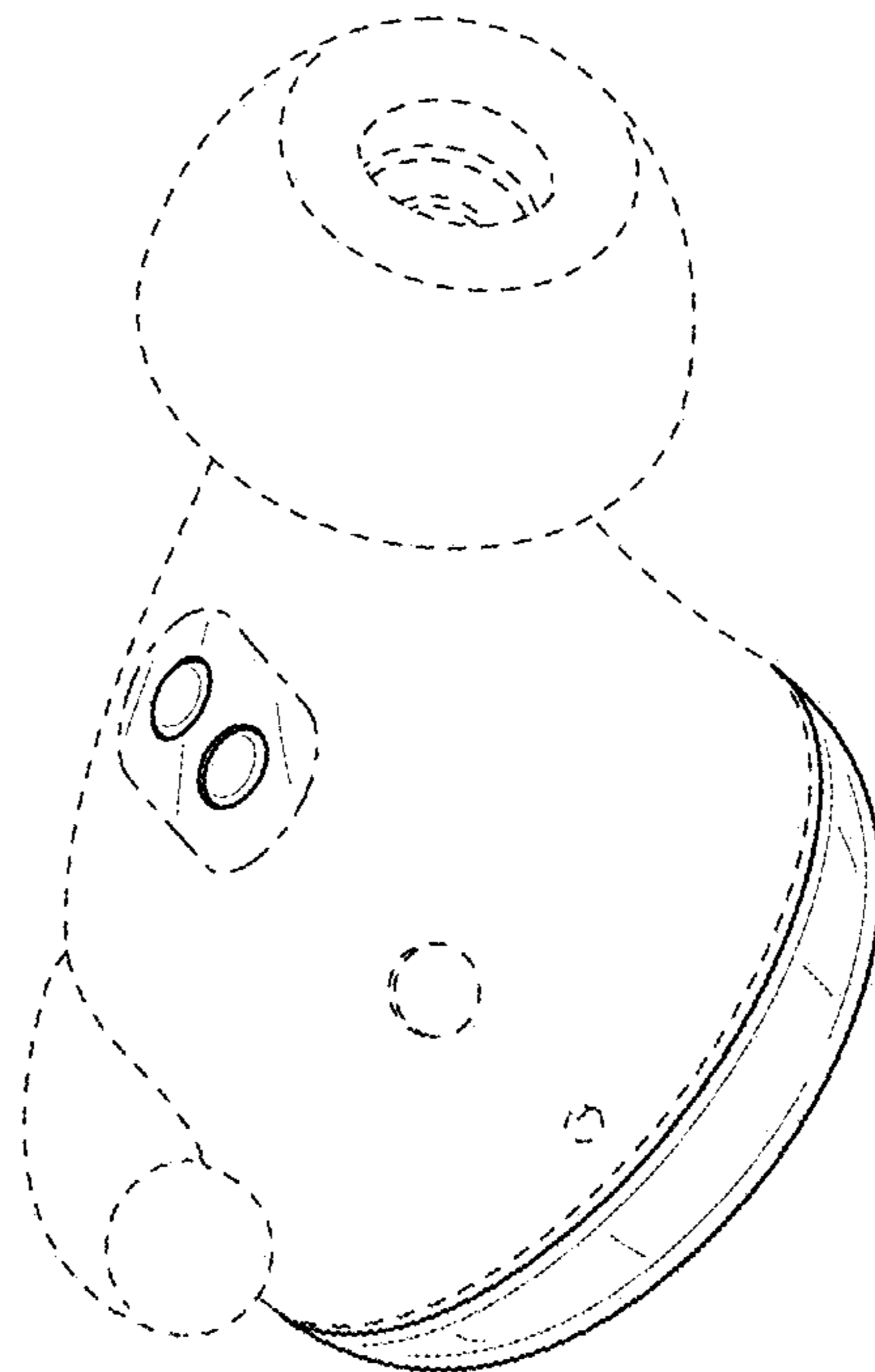
FIG. 2 is a rear and left side perspective view thereof;  
 FIG. 3 is a front elevation view thereof;  
 FIG. 4 is a rear elevation view thereof;  
 FIG. 5 is a left side elevation view thereof;  
 FIG. 6 is a right side elevation view thereof;  
 FIG. 7 is a top plan view thereof;  
 FIG. 8 is a bottom plan view thereof;  
 FIG. 9 is a detailed view of the area identified in FIG. 8;  
 FIG. 10 is a front and right side perspective view of a second embodiment of an earbud showing our new design;  
 FIG. 11 is a rear and left side perspective view thereof;  
 FIG. 12 is a front elevation view thereof;  
 FIG. 13 is a rear elevation view thereof;  
 FIG. 14 is a left side elevation view thereof;  
 FIG. 15 is a right side elevation view thereof;  
 FIG. 16 is a top plan view thereof;  
 FIG. 17 is a bottom plan view thereof;  
 FIG. 18 is a detailed view of the area identified in FIG. 17;  
 FIG. 19 is a front and right side perspective view of a third embodiment of a pair of earbuds which are part of a set showing our new design;  
 FIG. 20 is a rear and left side perspective view thereof;  
 FIG. 21 is a front elevation view thereof;  
 FIG. 22 is a rear elevation view thereof;  
 FIG. 23 is a left side elevation view thereof;  
 FIG. 24 is a right side elevation view thereof;  
 FIG. 25 is a top plan view thereof;  
 FIG. 26 is a bottom plan view thereof;  
 FIG. 27 is a detailed view of the areas identified in FIG. 26;  
 FIG. 28 is a front and right side perspective view of a fourth embodiment of an earbud showing our new design;  
 FIG. 29 is a rear and left side perspective view thereof;  
 FIG. 30 is a front elevation view thereof;  
 FIG. 31 is a rear elevation view thereof;  
 FIG. 32 is a left side elevation view thereof;  
 FIG. 33 is a right side elevation view thereof;  
 FIG. 34 is a top plan view thereof;  
 FIG. 35 is a bottom plan view thereof;  
 FIG. 36 is a detailed view of the area identified in FIG. 35;  
 FIG. 37 is a front and right side perspective view of a fifth embodiment of an earbud showing our new design;  
 FIG. 38 is a rear and left side perspective view thereof;  
 FIG. 39 is a front elevation view thereof;  
 FIG. 40 is a rear elevation view thereof;  
 FIG. 41 is a left side elevation view thereof;  
 FIG. 42 is a right side elevation view thereof;  
 FIG. 43 is a top plan view thereof;  
 FIG. 44 is a bottom plan view thereof;  
 FIG. 45 is a detailed view of the area identified in FIG. 44;  
 FIG. 46 is a front and right side perspective view of a sixth embodiment of a pair of earbuds which are part of a set showing our new design;  
 FIG. 47 is a rear and left side perspective view thereof;  
 FIG. 48 is a front elevation view thereof;  
 FIG. 49 is a rear elevation view thereof;  
 FIG. 50 is a left side elevation view thereof;  
 FIG. 51 is a right side elevation view thereof;  
 FIG. 52 is a top plan view thereof;  
 FIG. 53 is a bottom plan view thereof; and,  
 FIG. 54 is a detailed view of the areas identified in FIG. 53.  
 The evenly-spaced broken lines shown in the drawings illustrate portions of the earbud that form no part of the claimed design. The dash-dot-dash broken lines shown in the drawings illustrate the boundary of the claimed design and forms no part thereof.

The designs illustrated in the fourth, fifth, and sixth embodiments are illustrated, in part, with a shaded surface to illustrate a contrast in appearance to the illustrated end cap. The shaded surface does not claim any particular color.

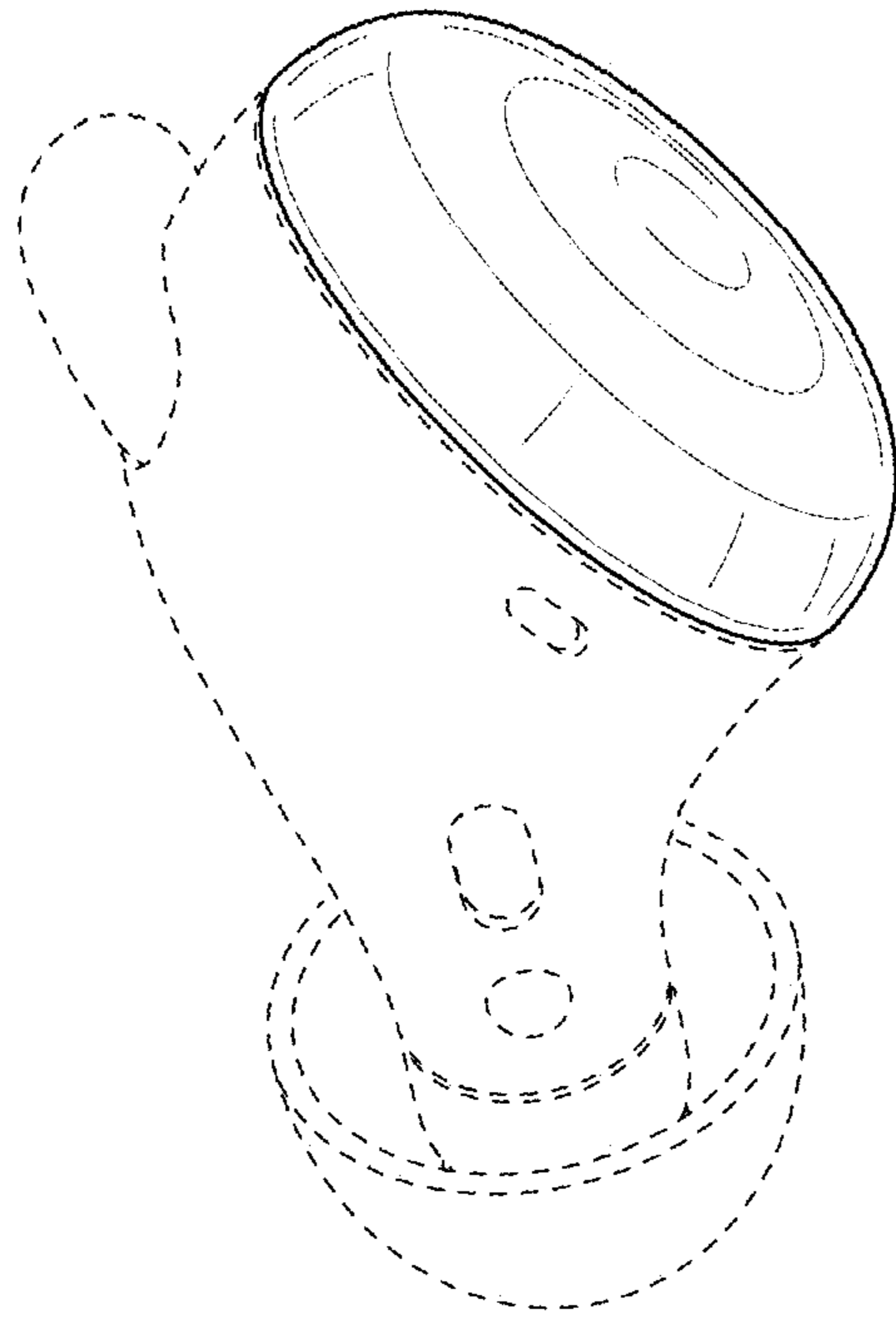
**1 Claim, 30 Drawing Sheets**



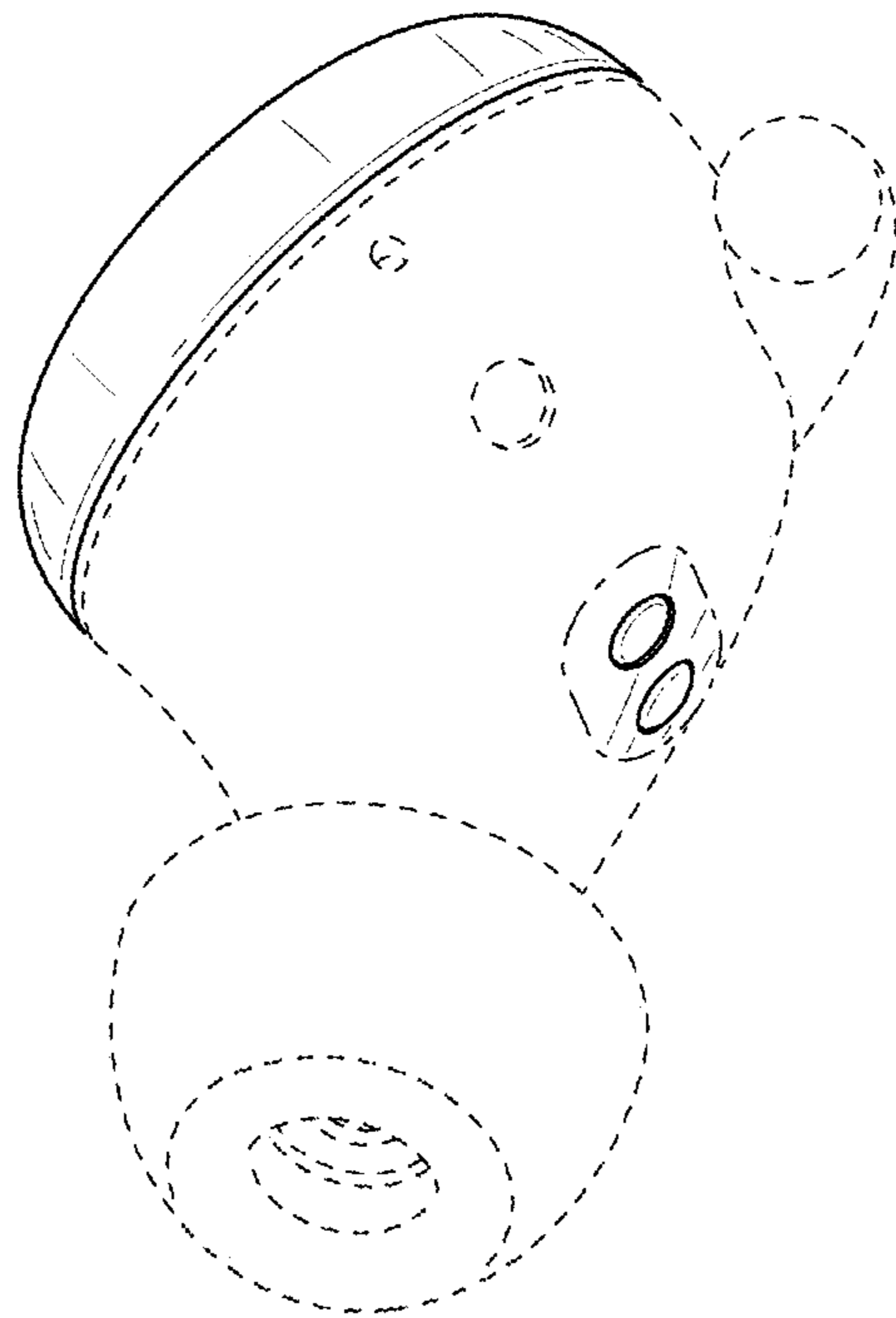
**FIG. 1**



**FIG. 2**

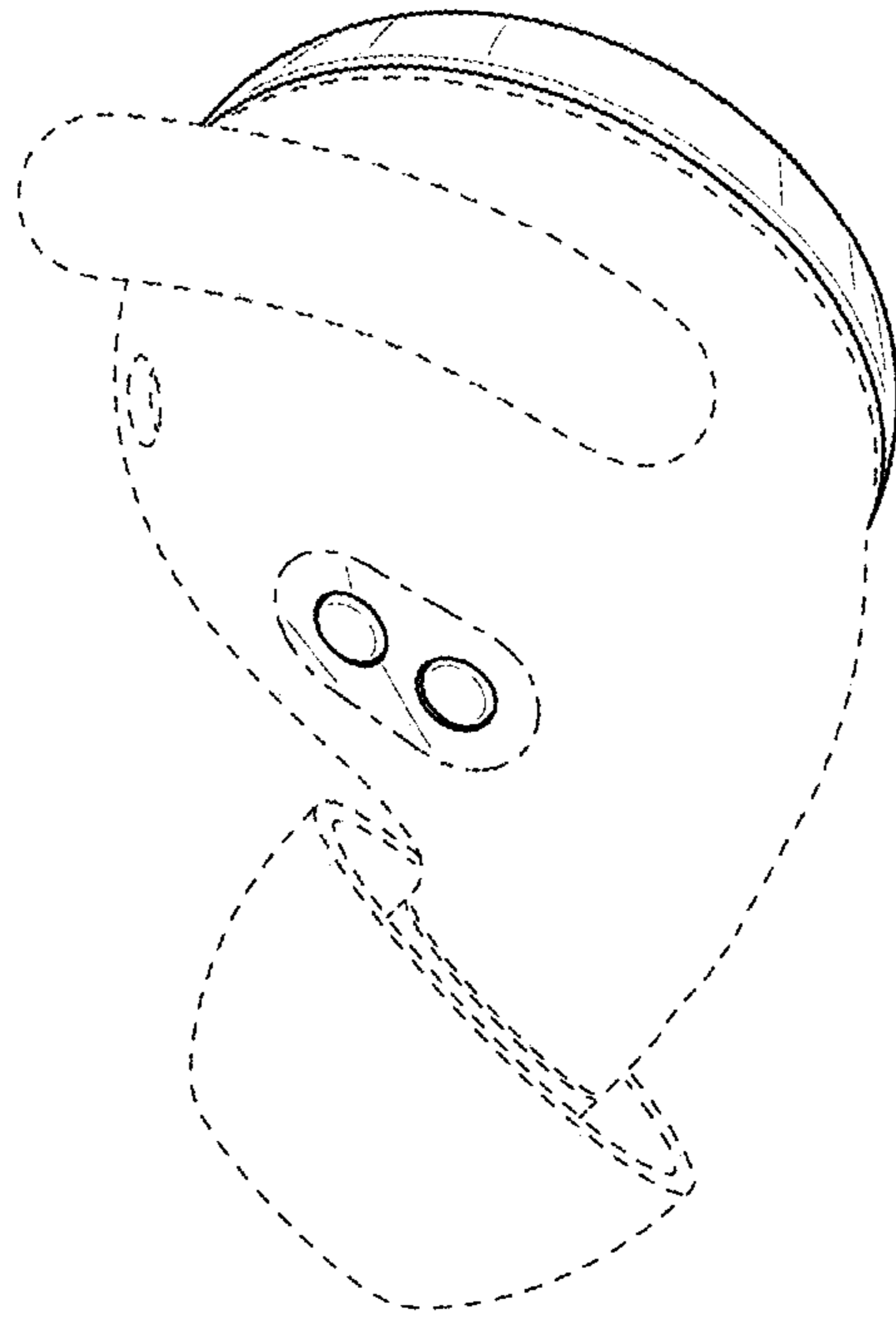


**FIG. 3**

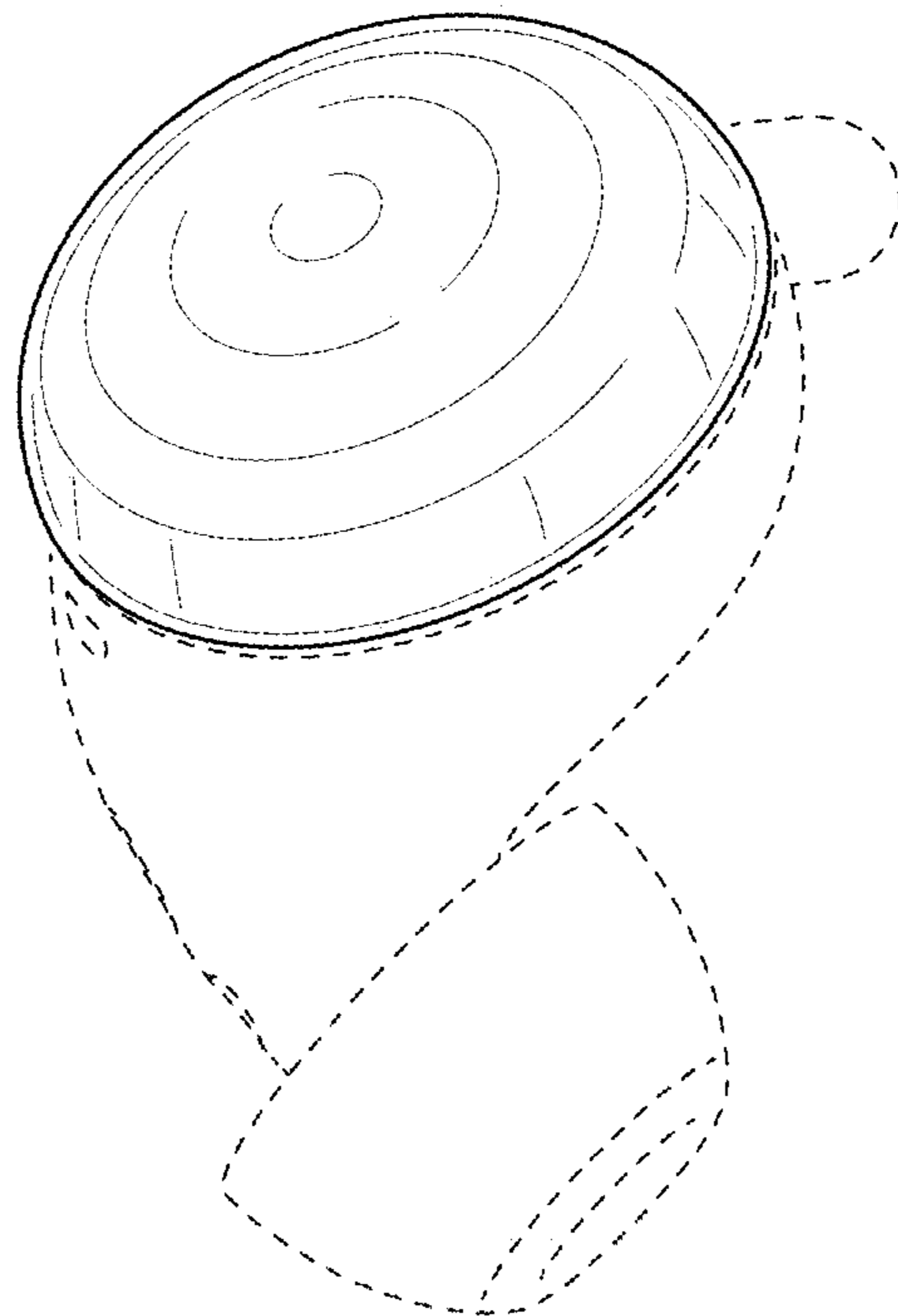


**FIG. 4**

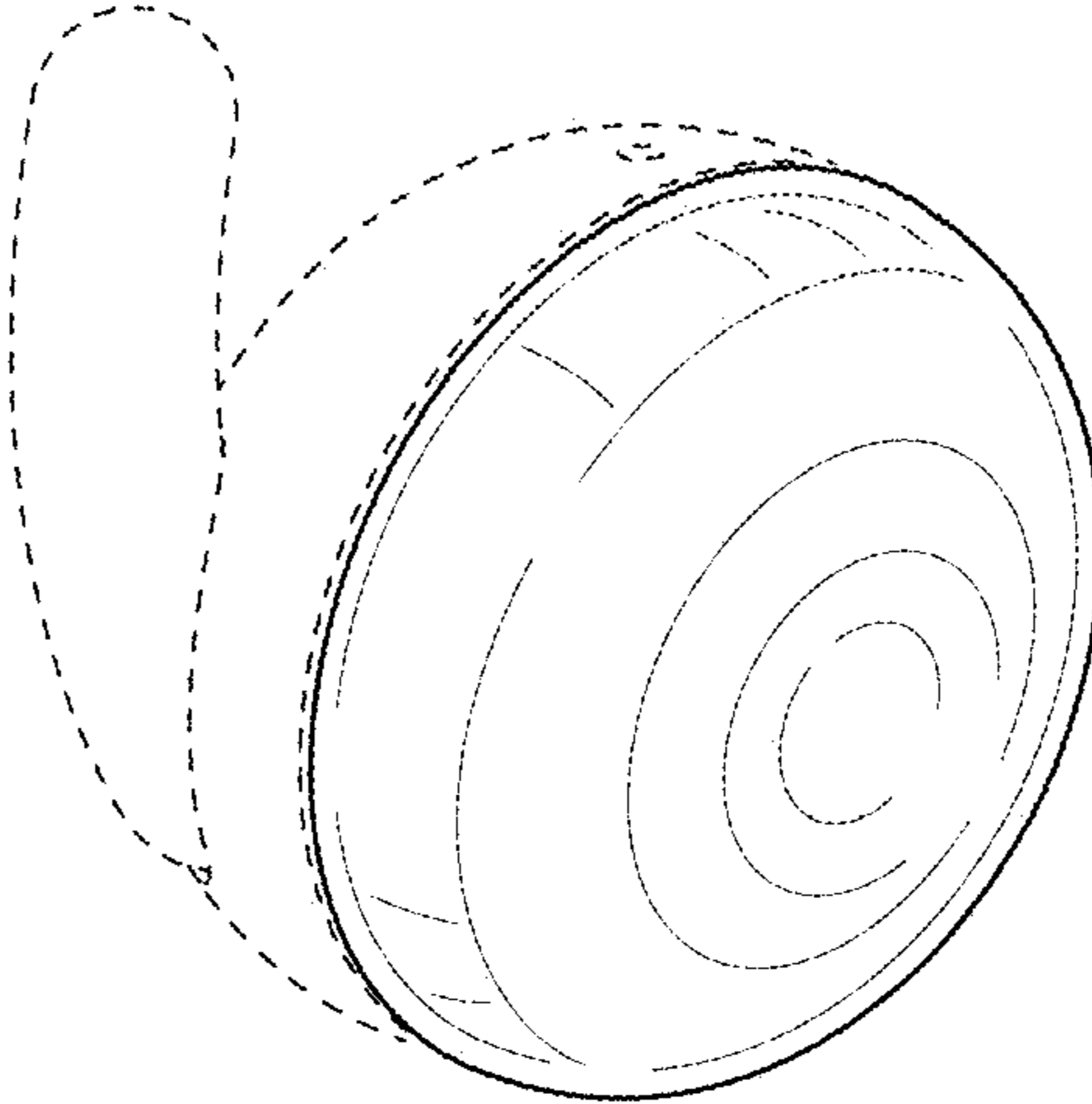




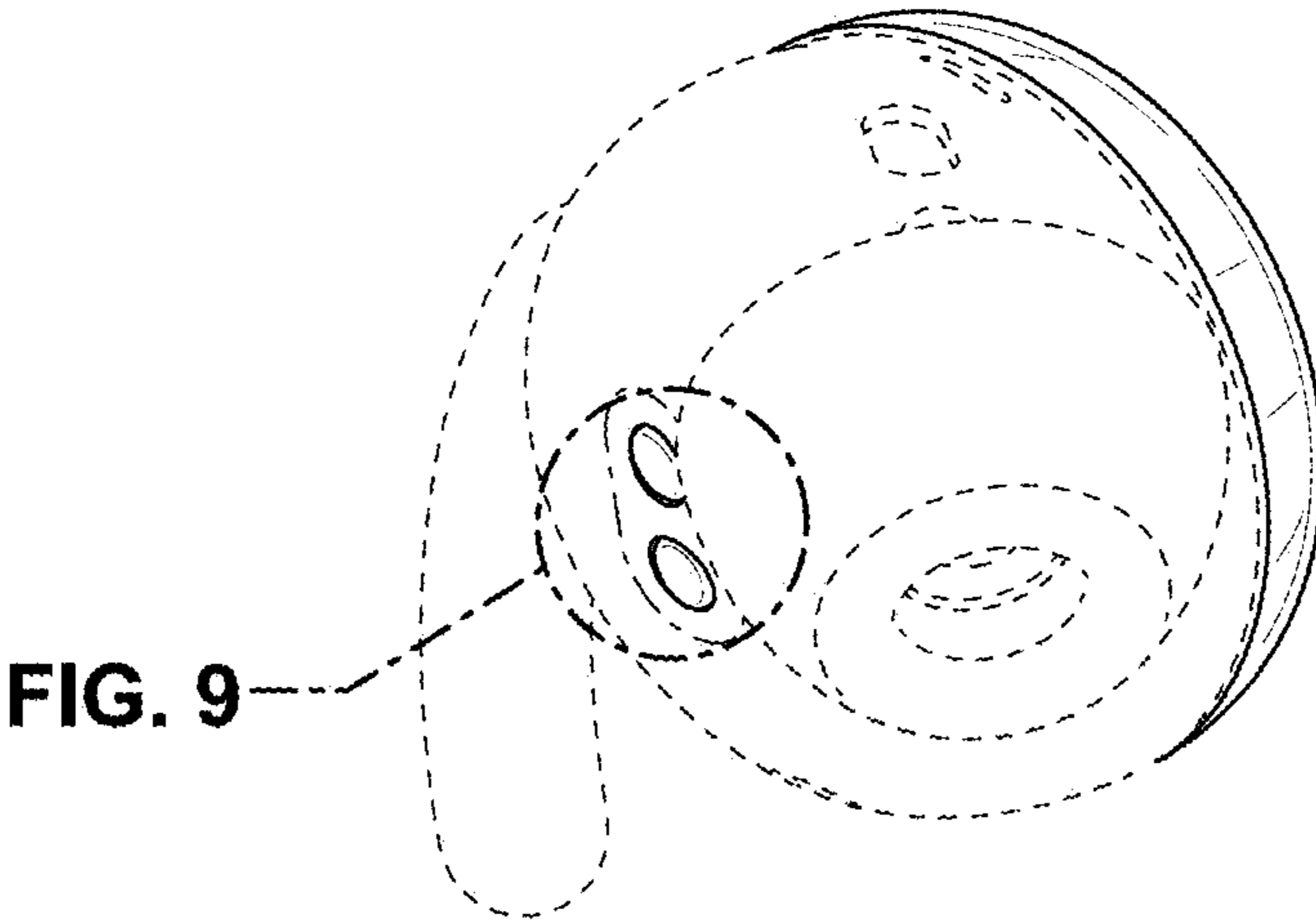
**FIG. 5**



**FIG. 6**

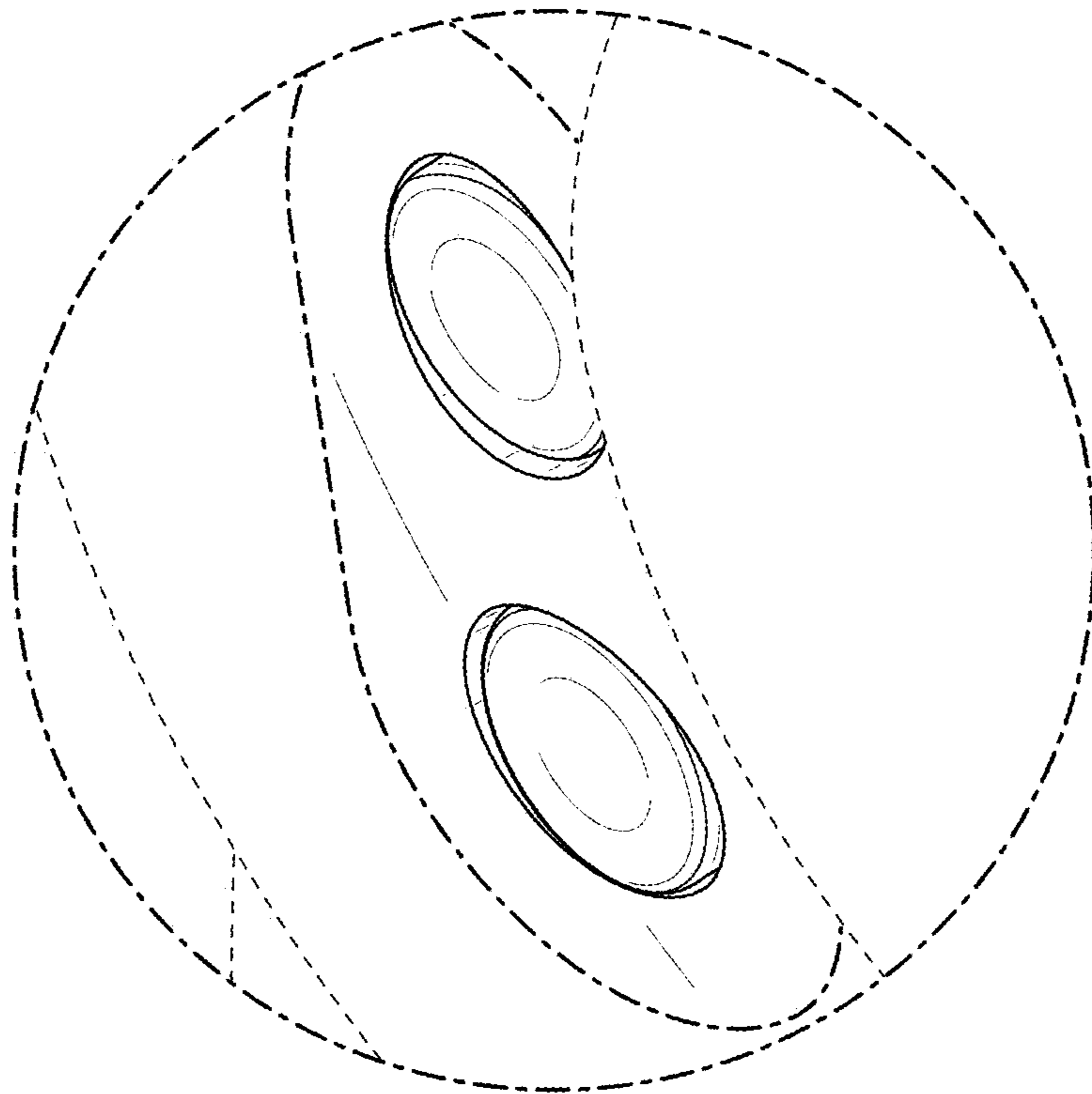


**FIG. 7**



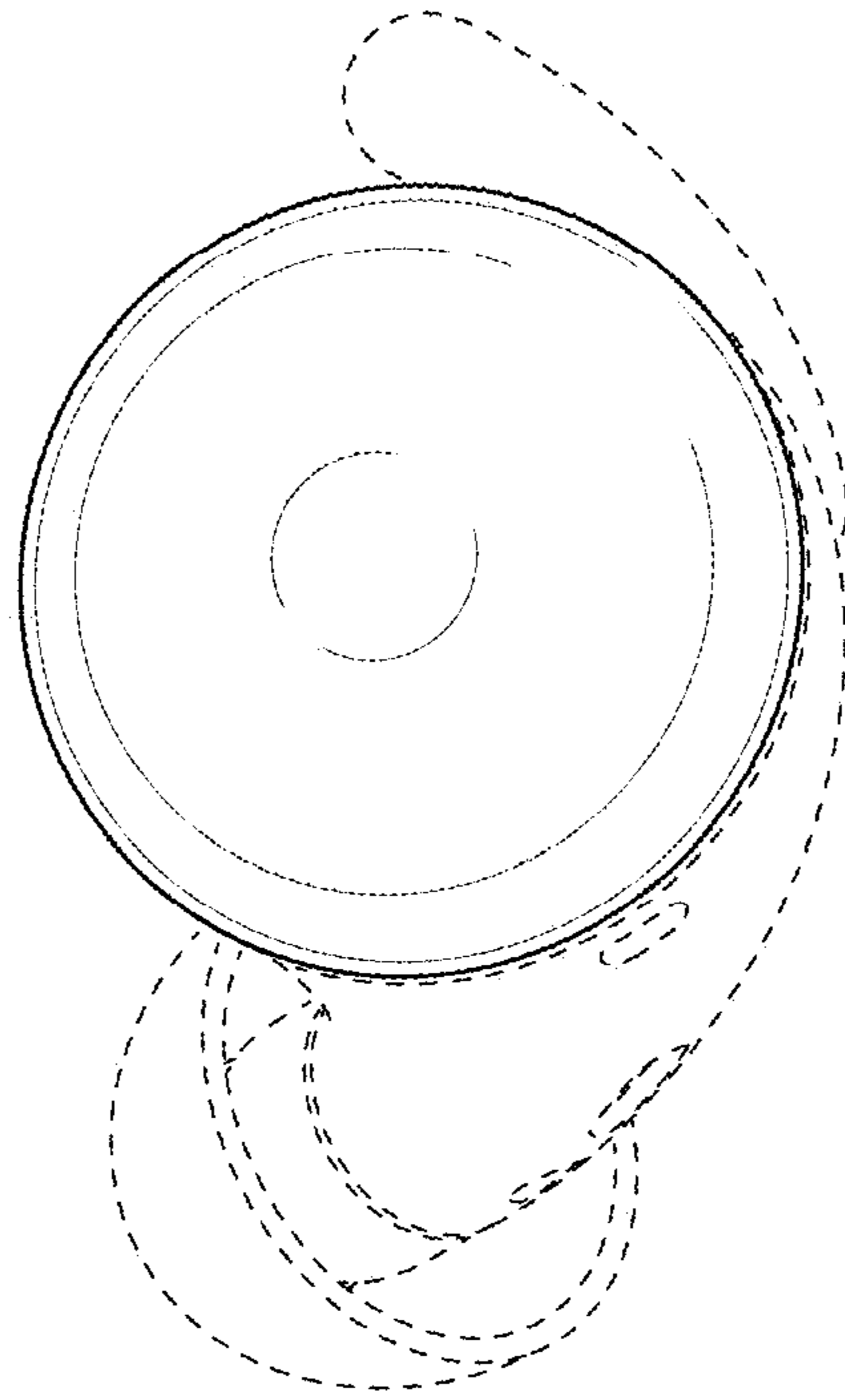
**FIG. 9**

**FIG. 8**

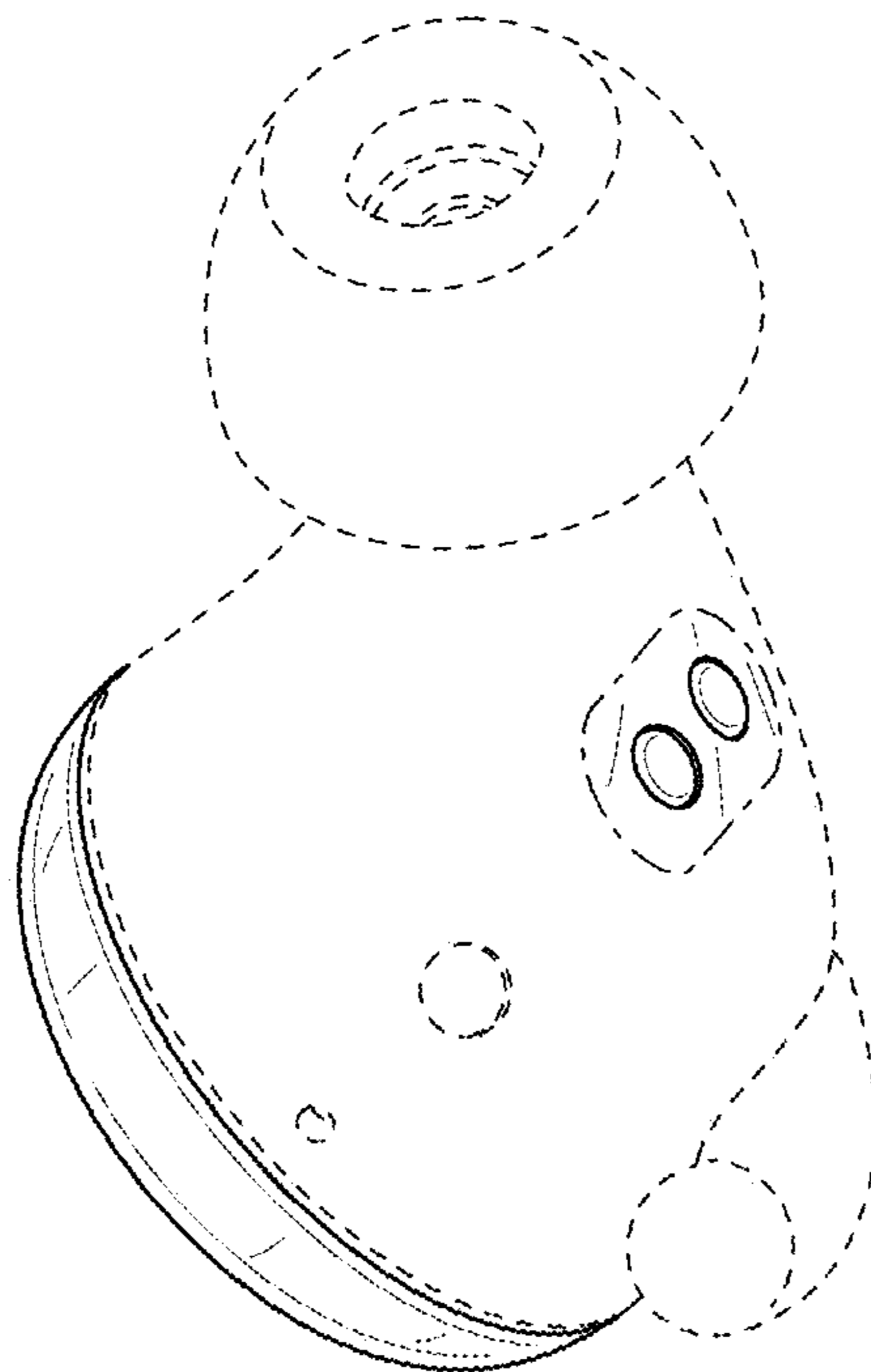


**FIG. 9**

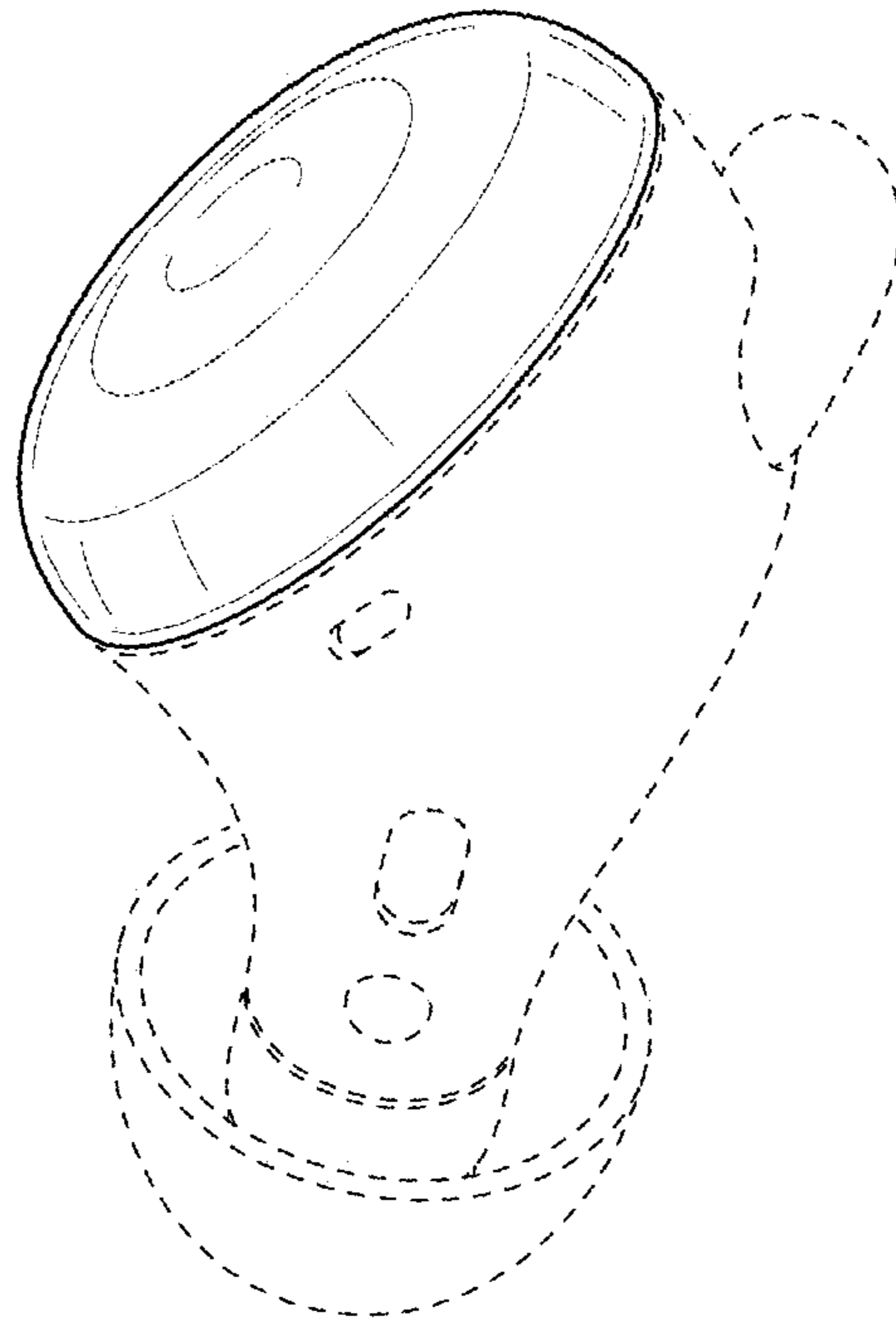




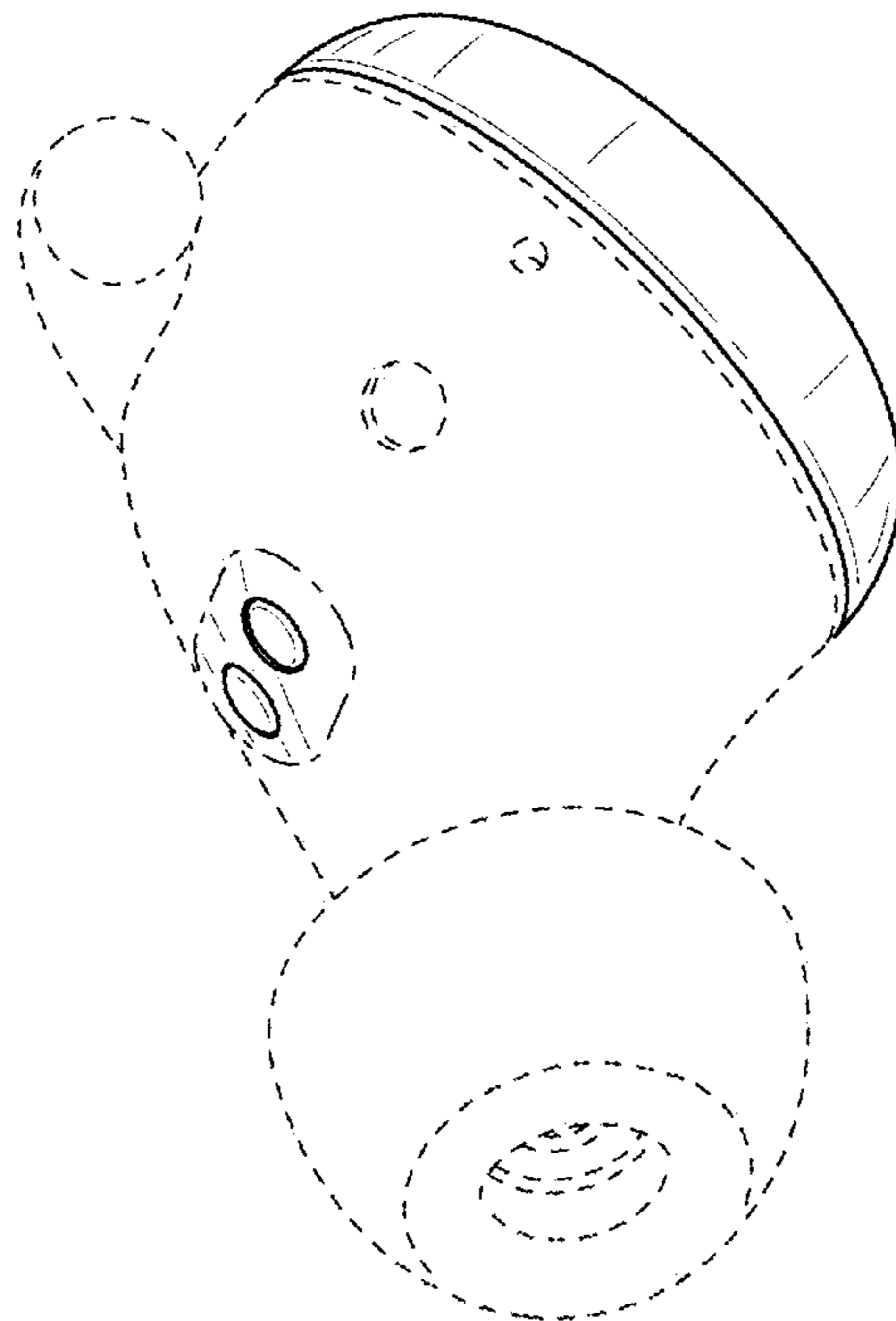
**FIG. 10**



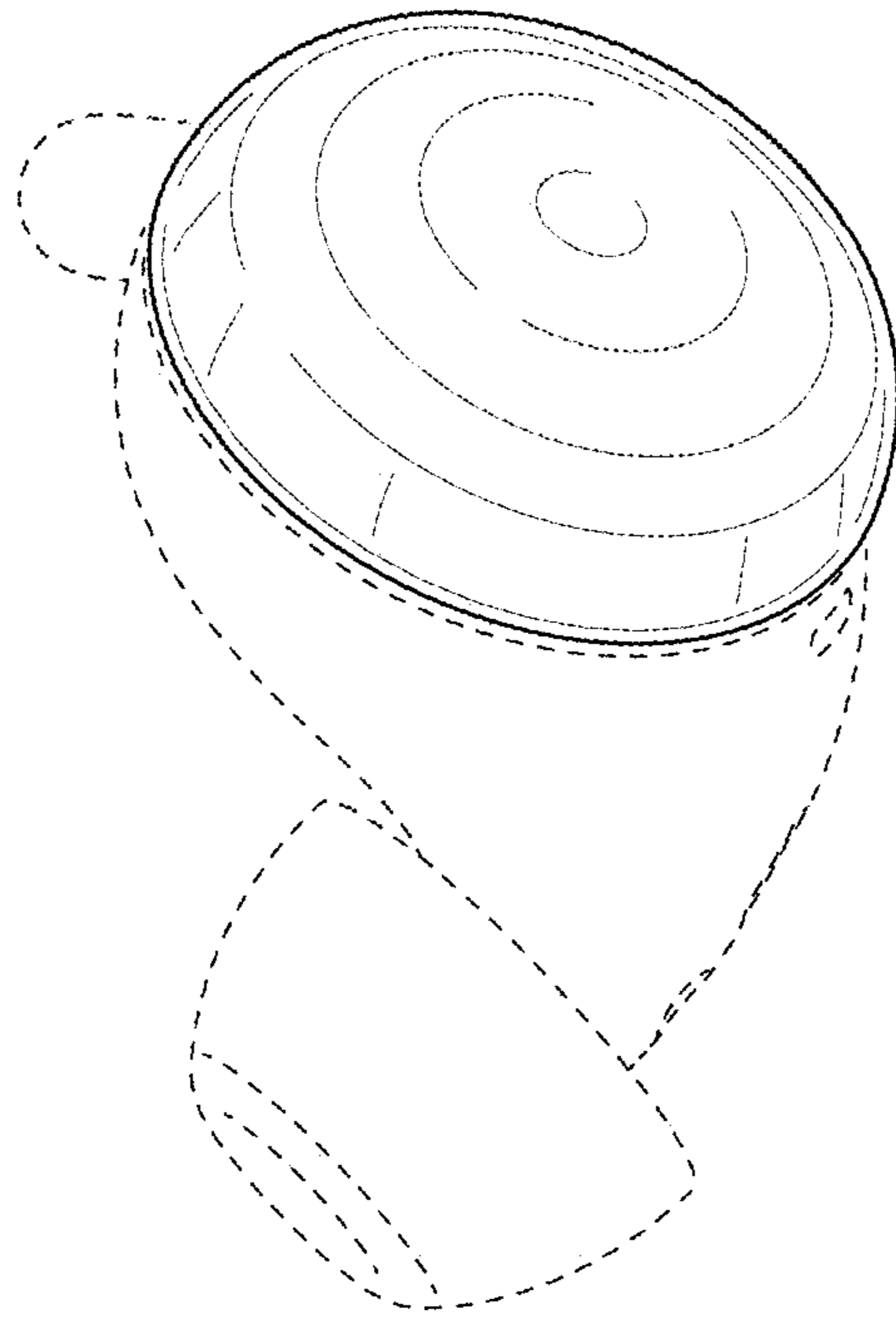
**FIG. 11**



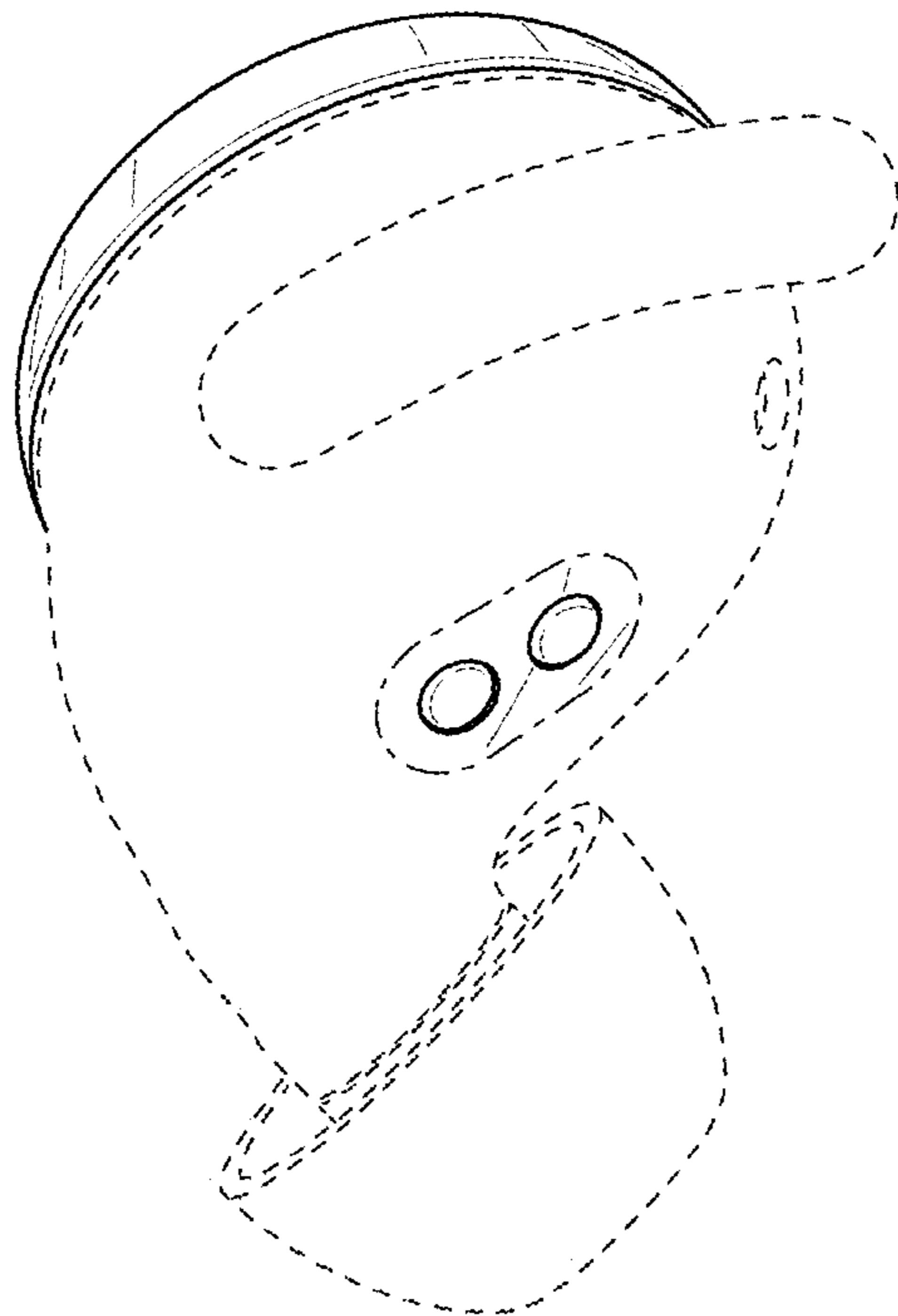
**FIG. 12**



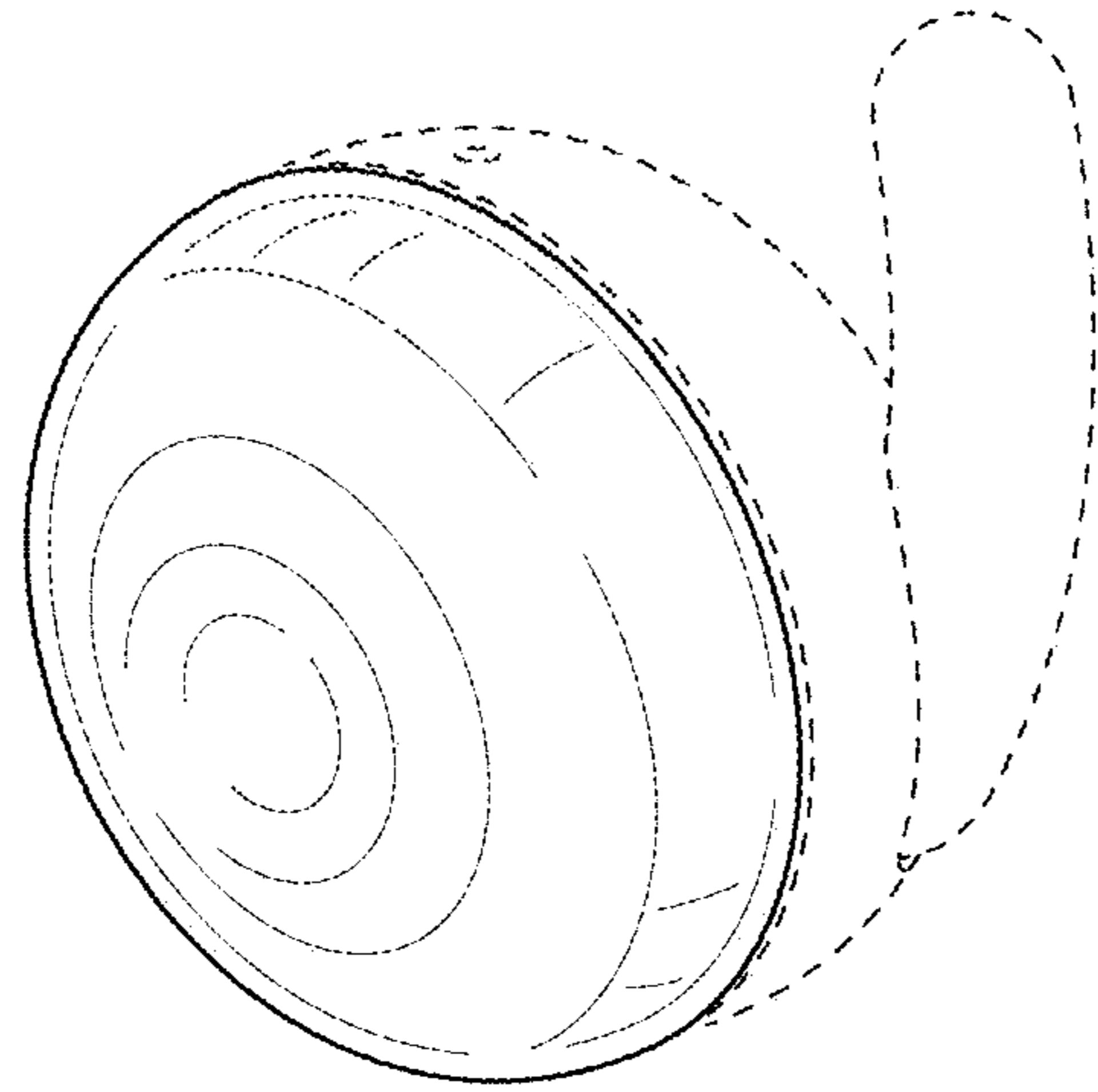
**FIG. 13**



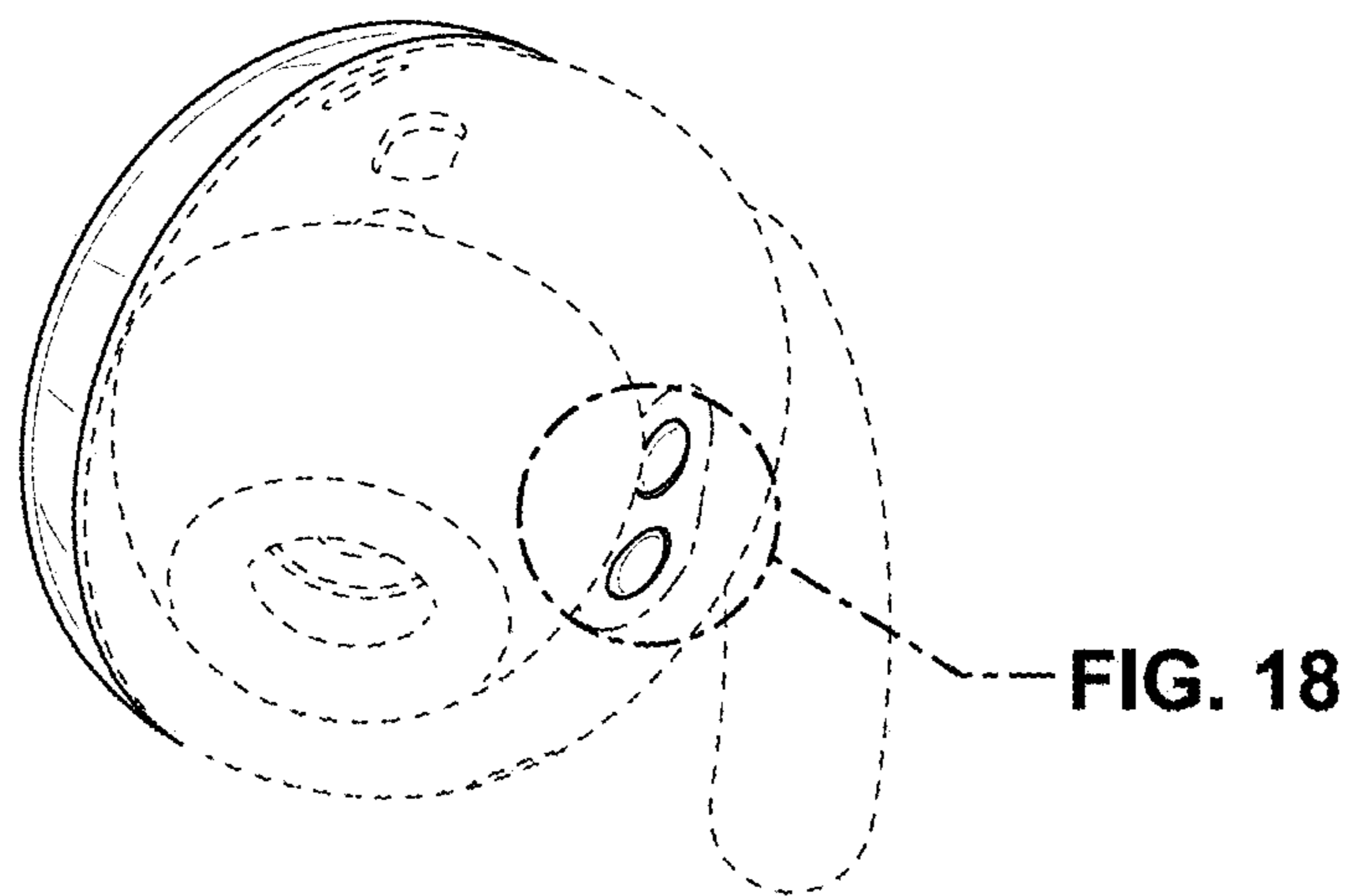
**FIG. 14**



**FIG. 15**

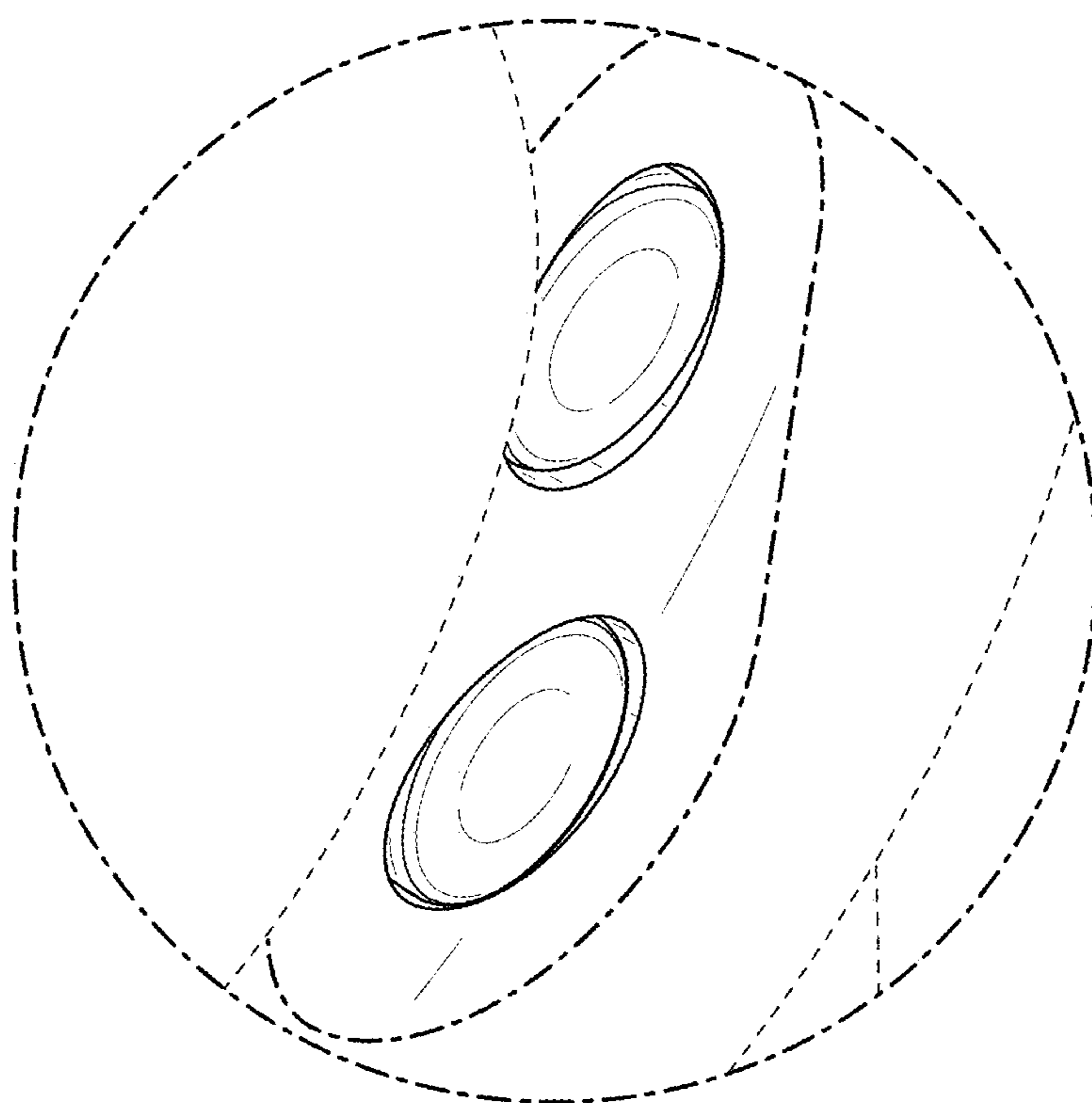


**FIG. 16**

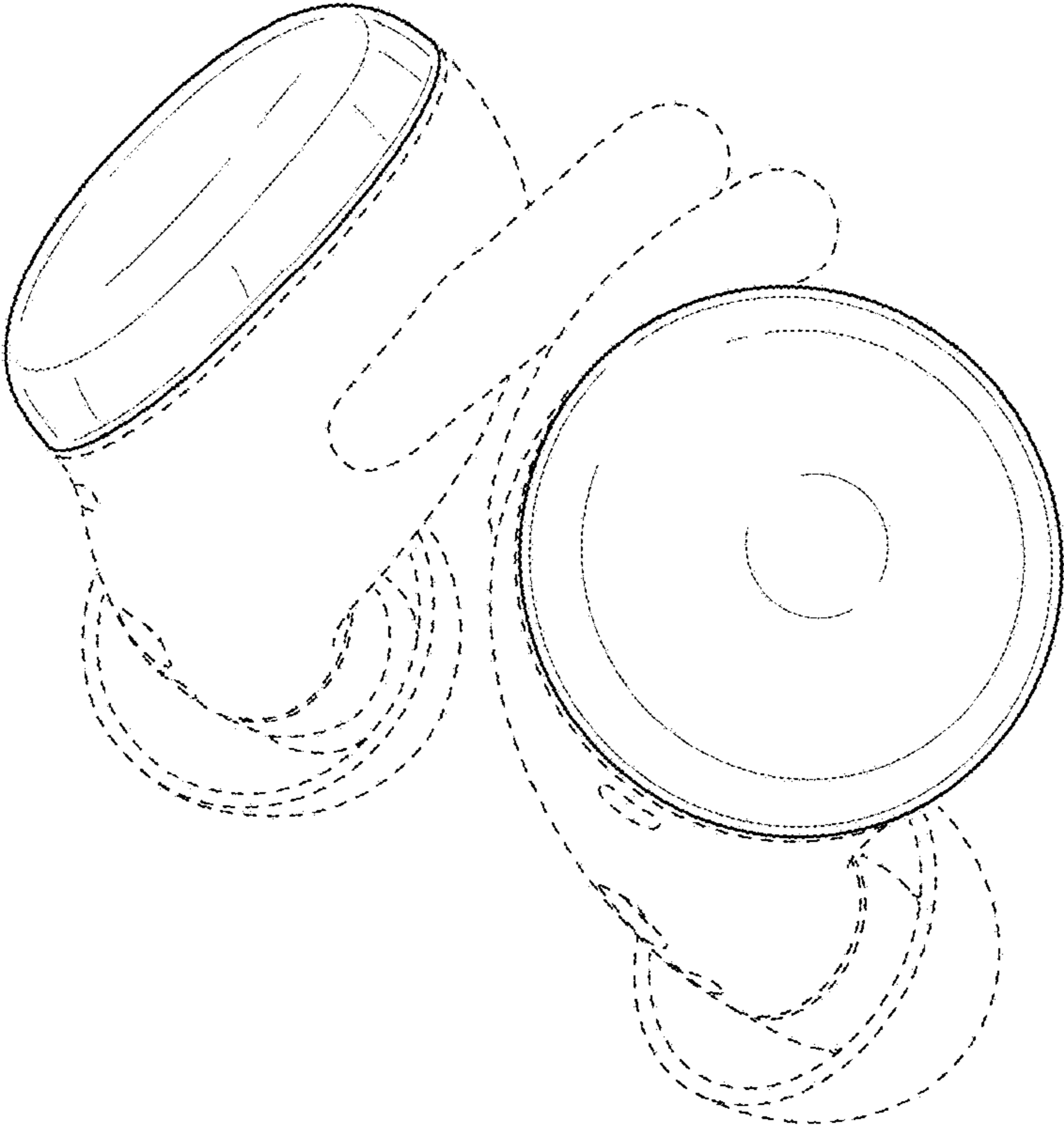


**FIG. 17**

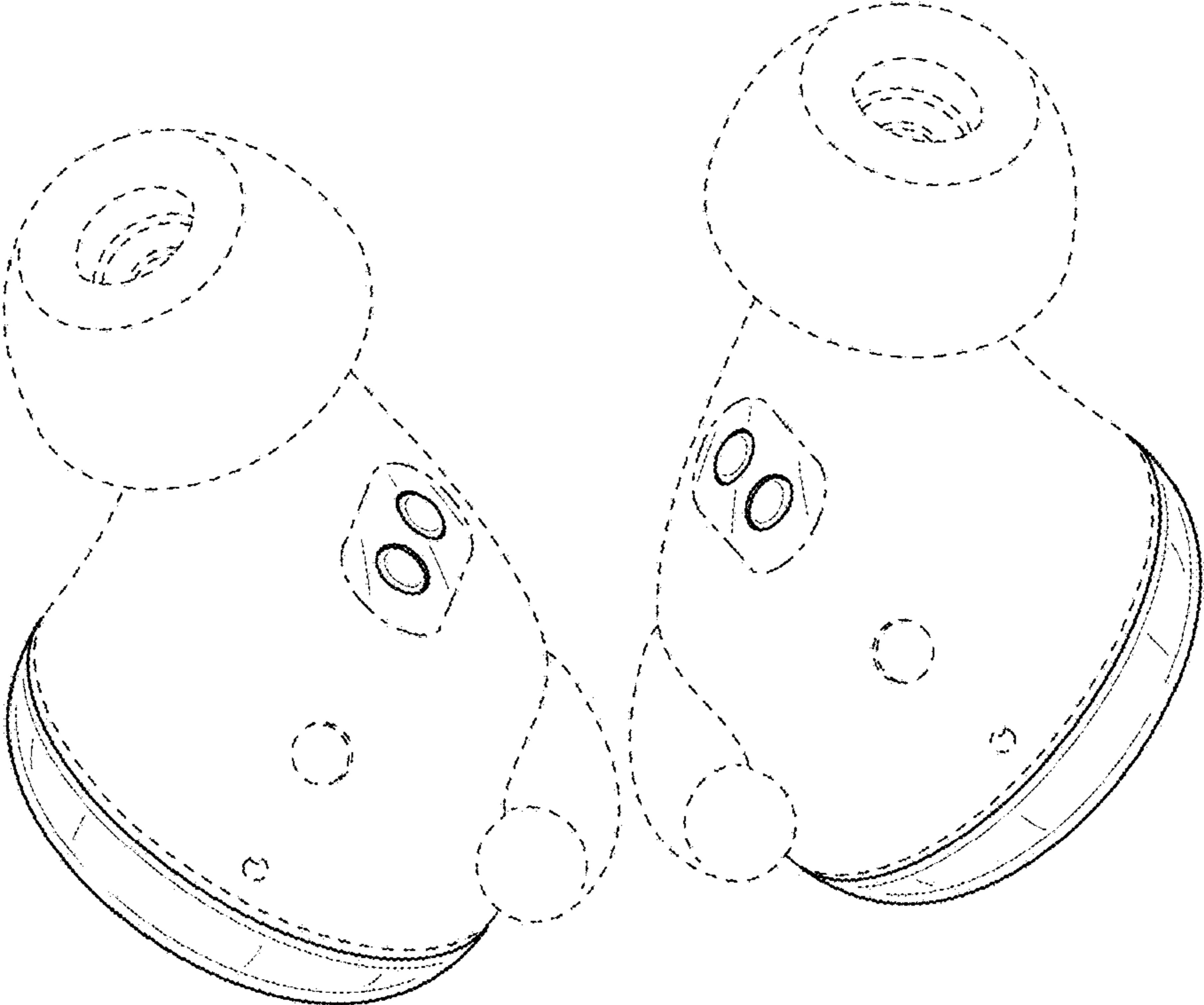




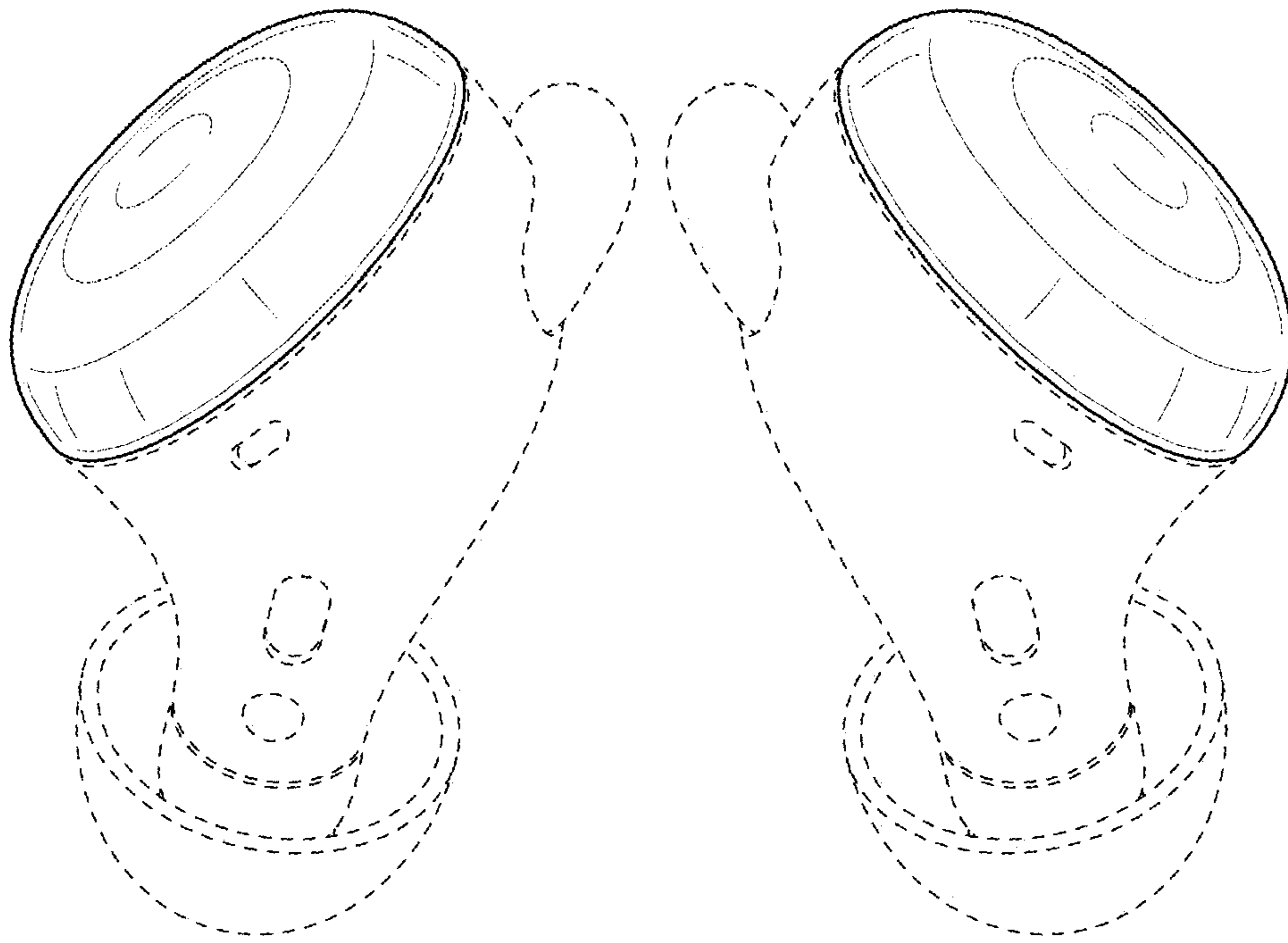
**FIG. 18**



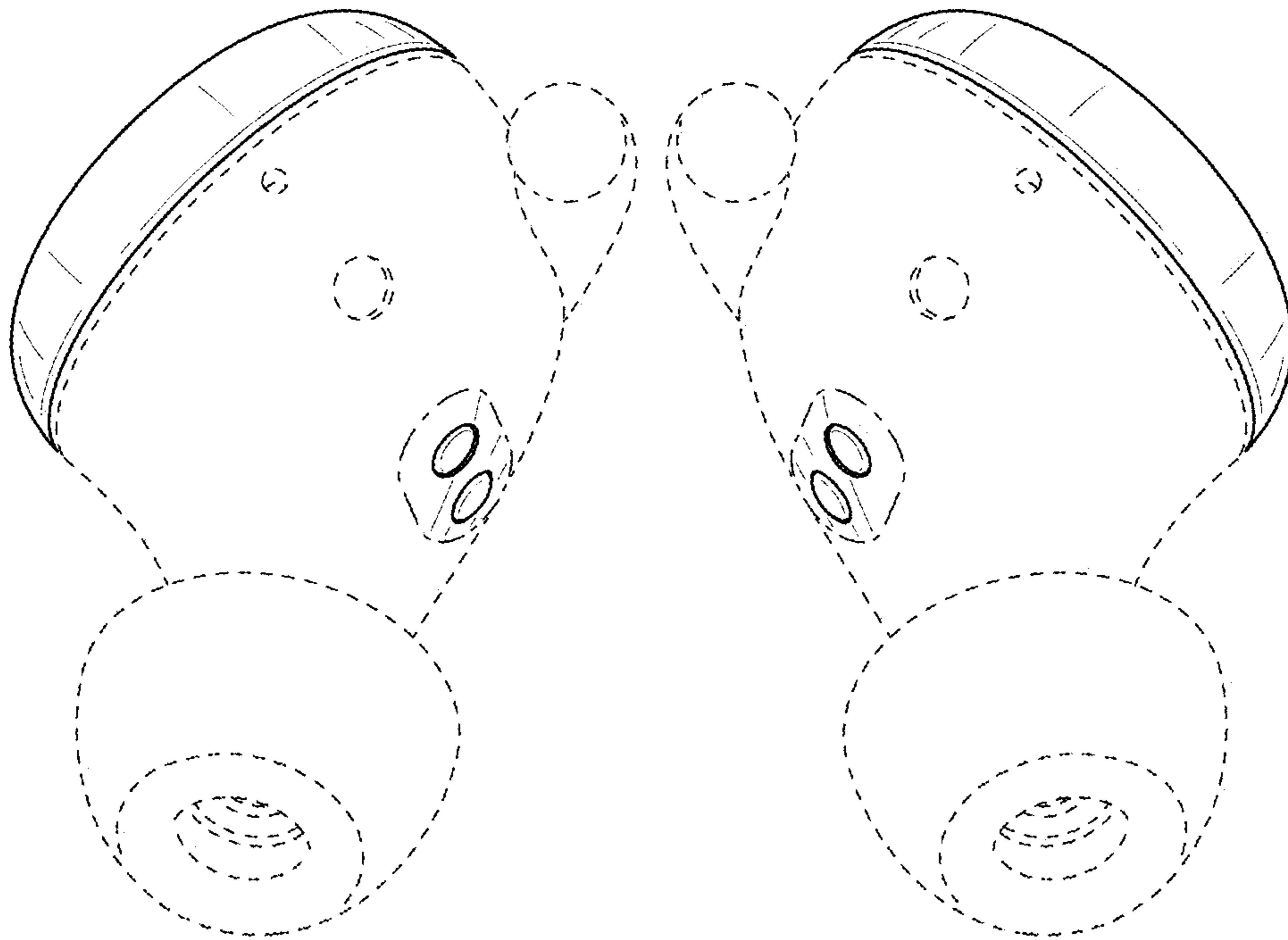
**FIG. 19**



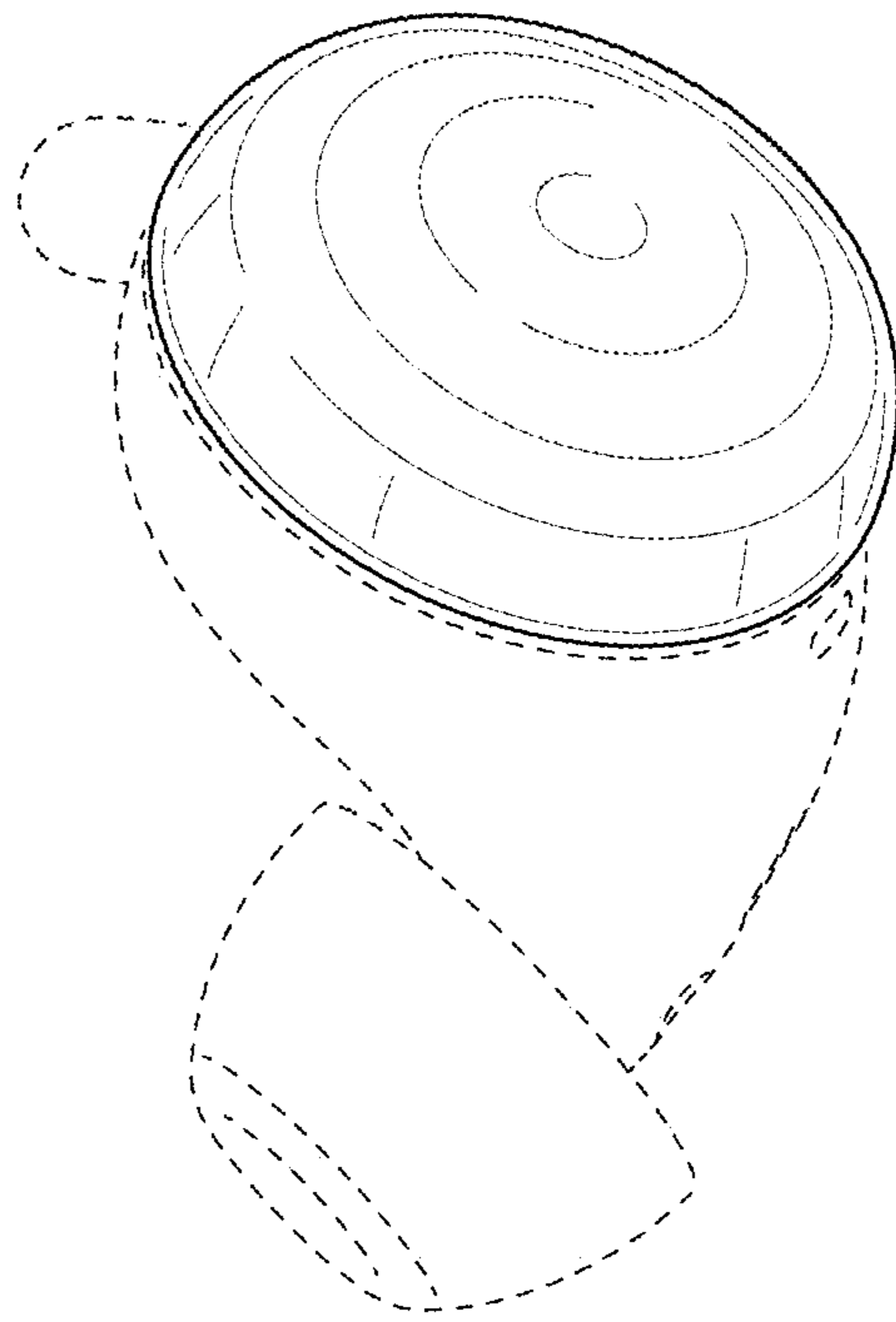
**FIG. 20**



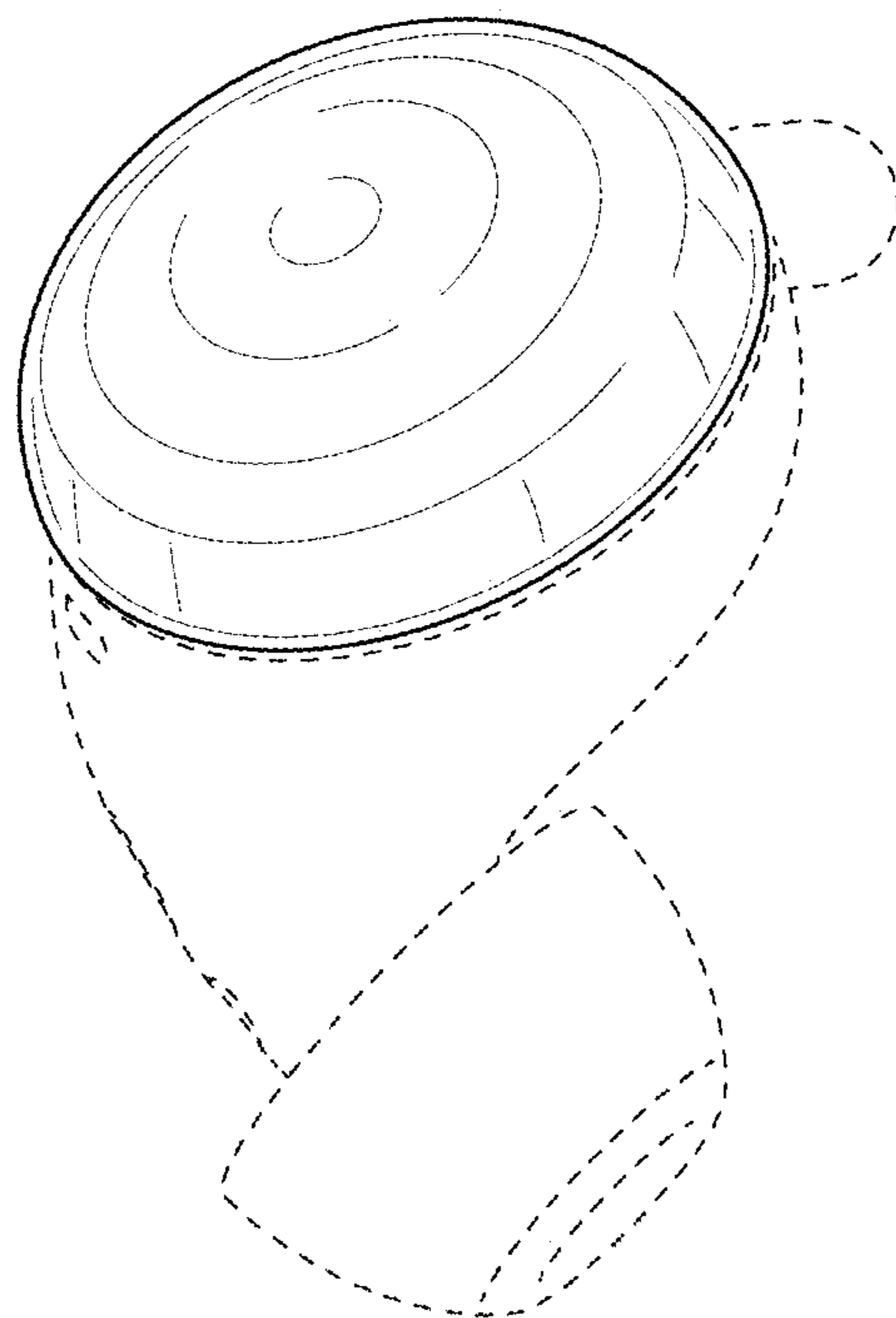
**FIG. 21**



**FIG. 22**

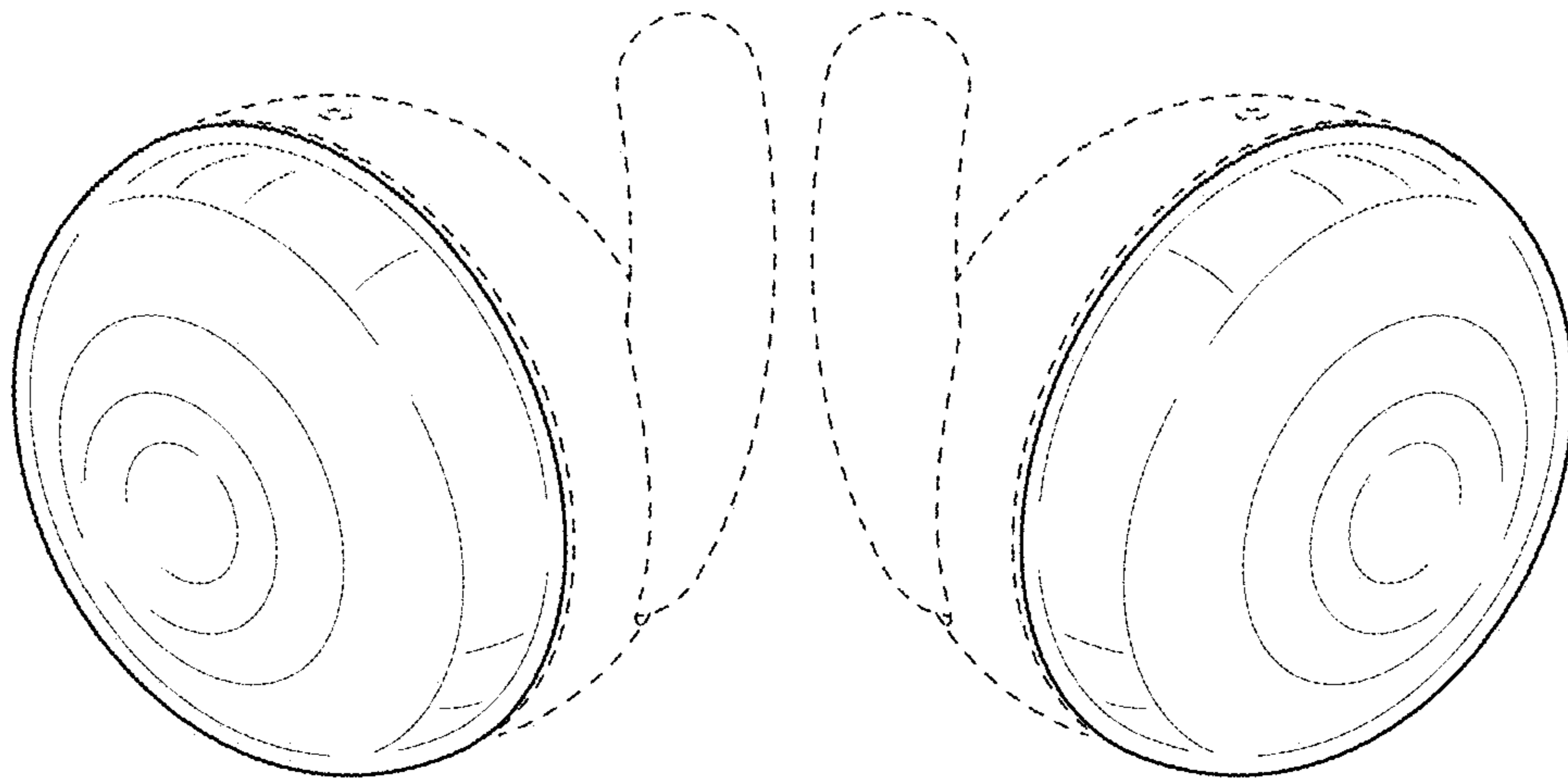


**FIG. 23**

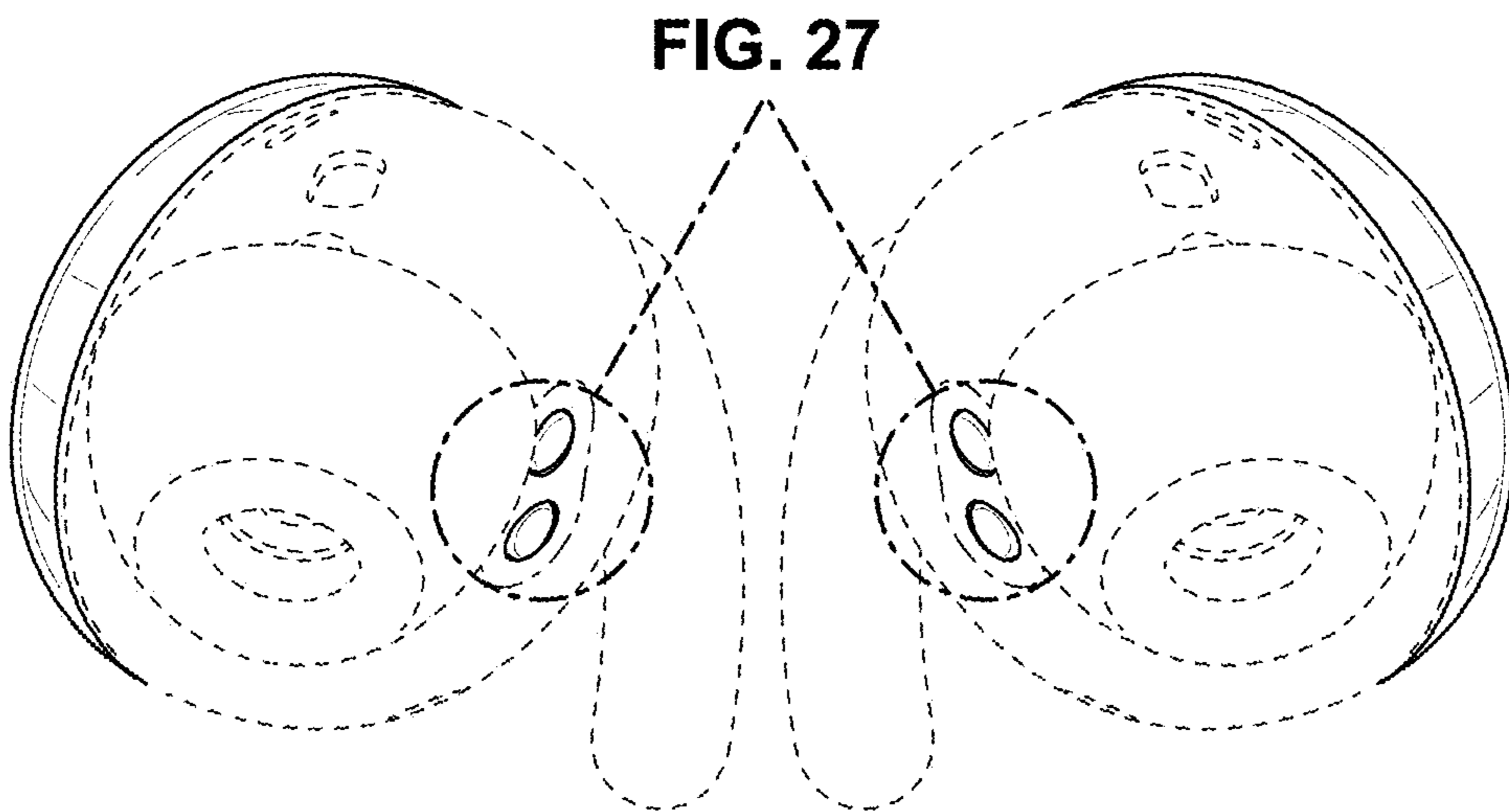


**FIG. 24**

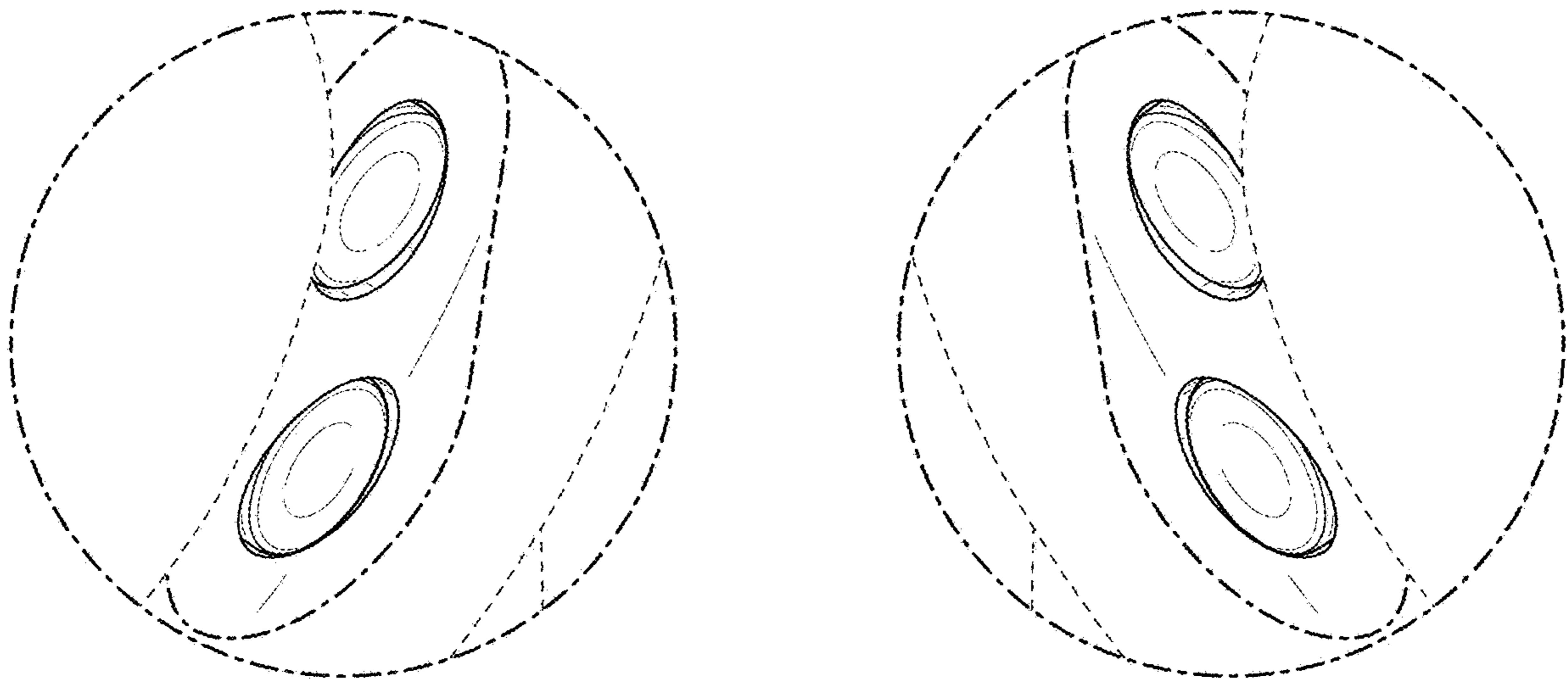




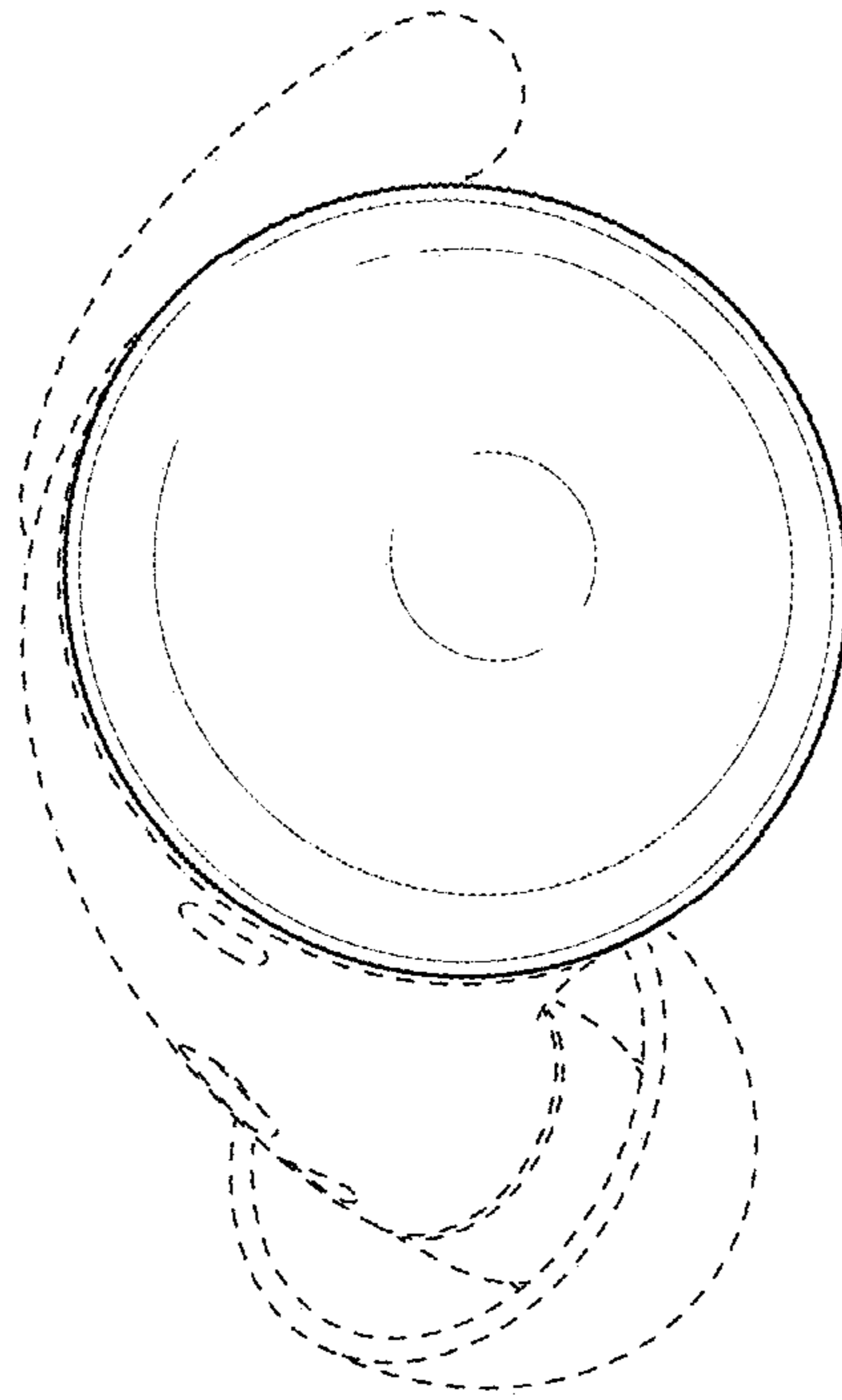
**FIG. 25**



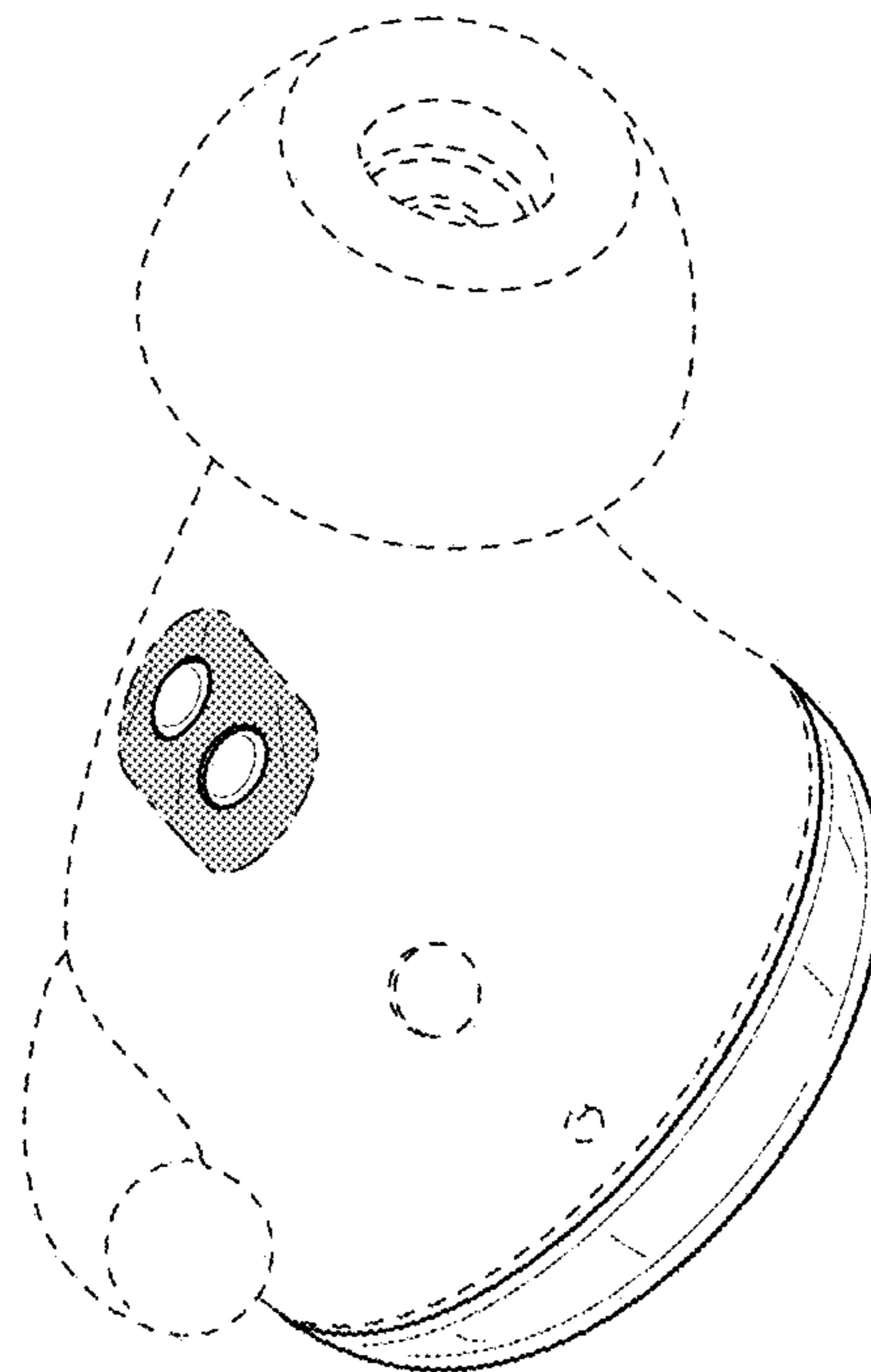
**FIG. 26**



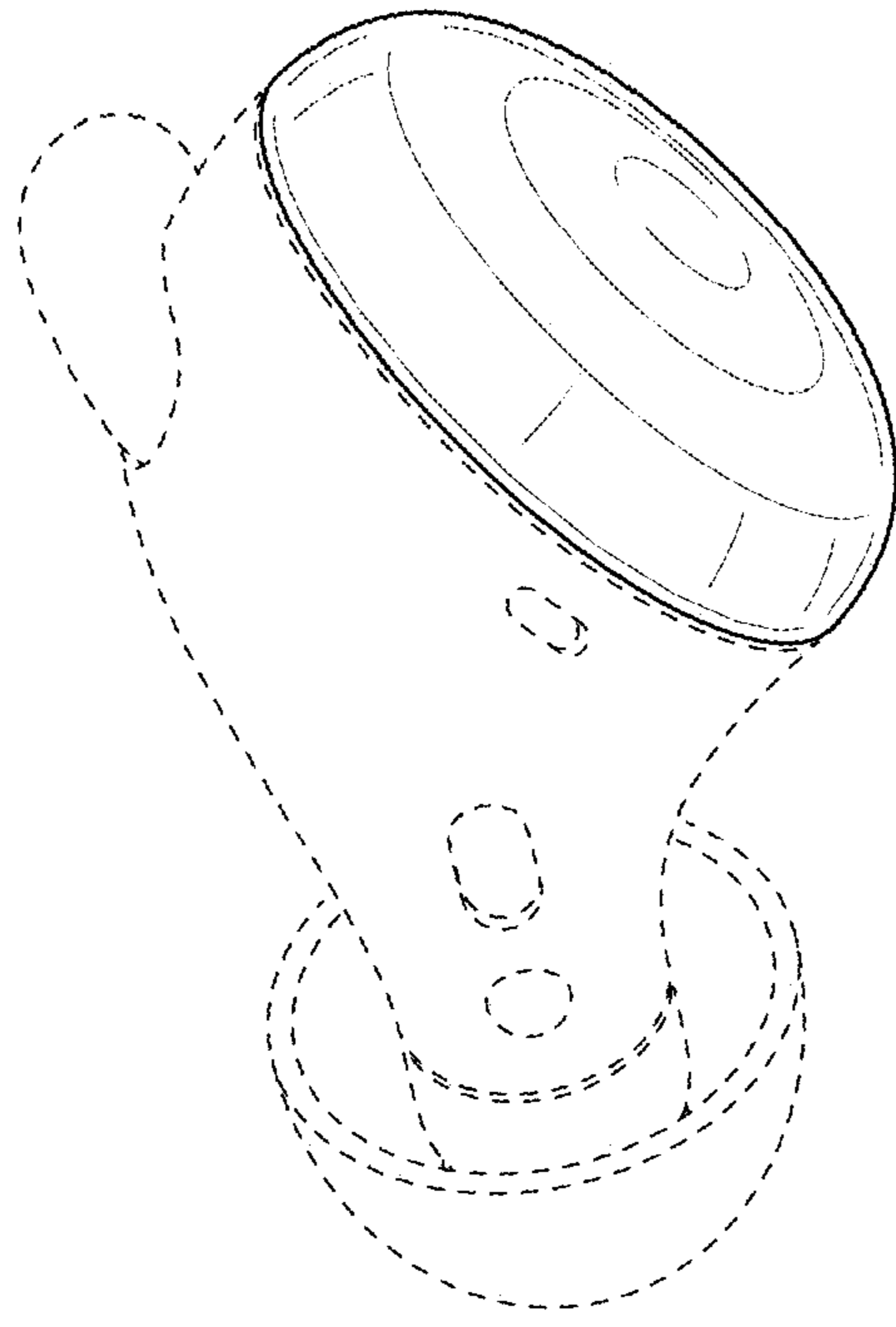
**FIG. 27**



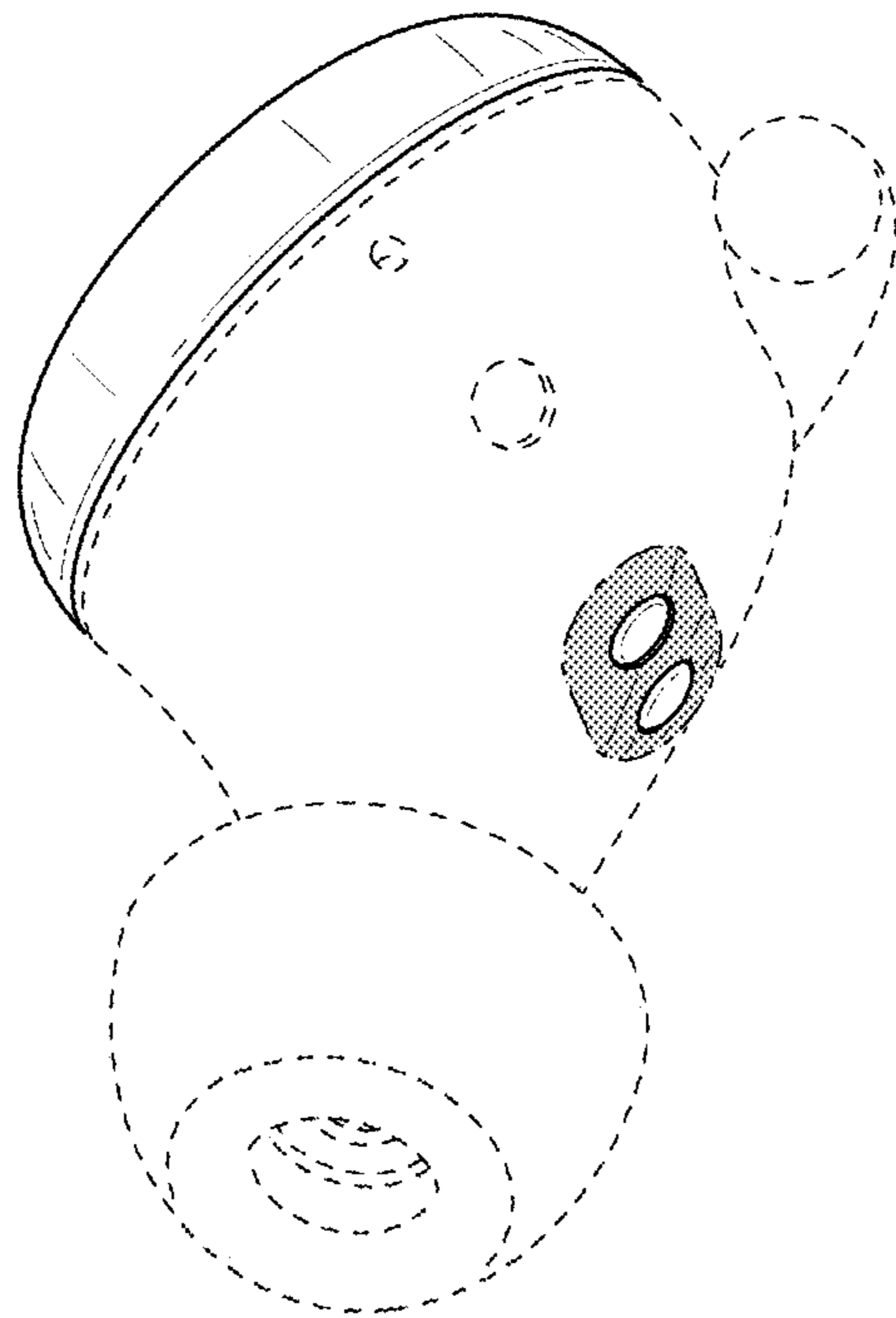
**FIG. 28**



**FIG. 29**

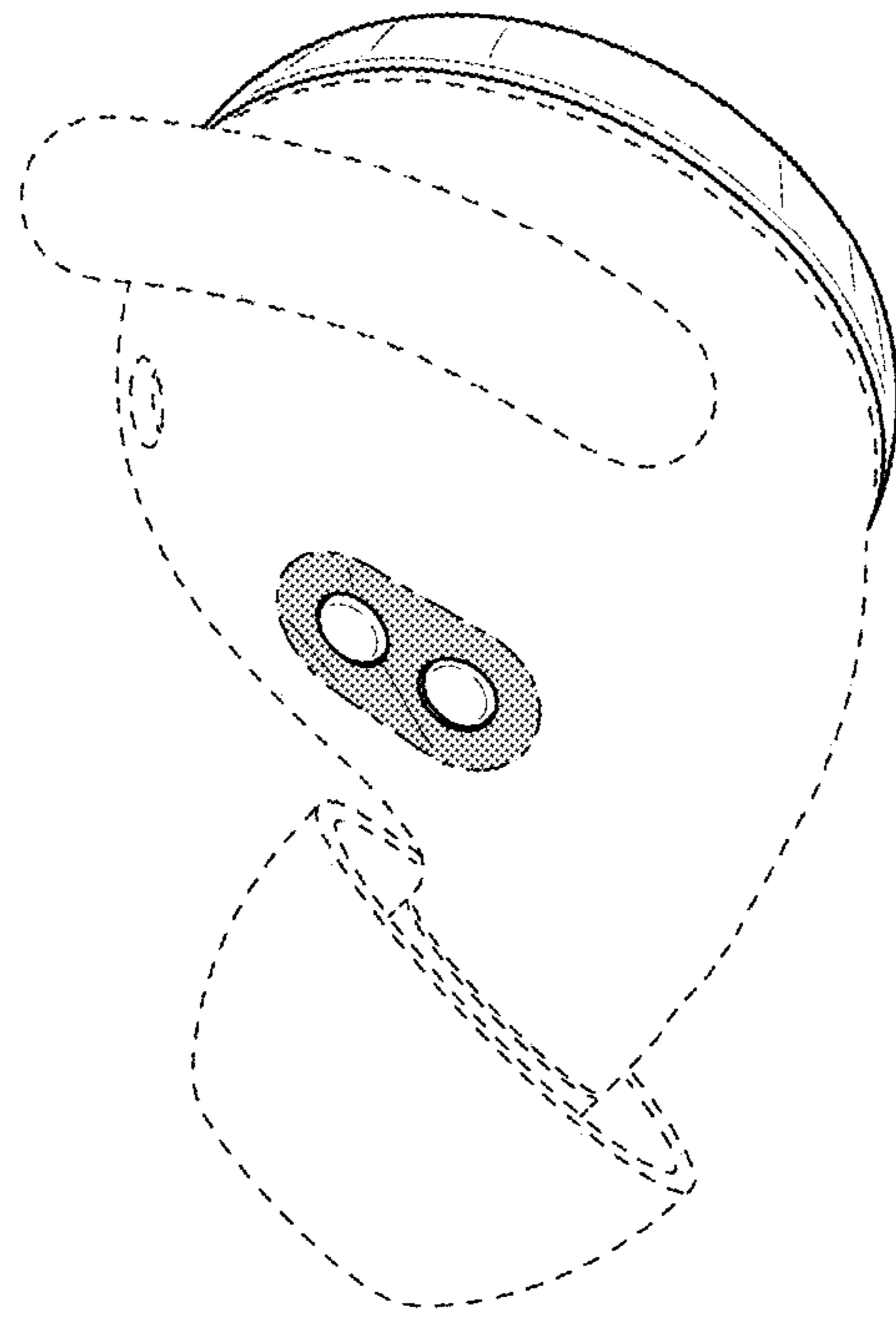


**FIG. 30**

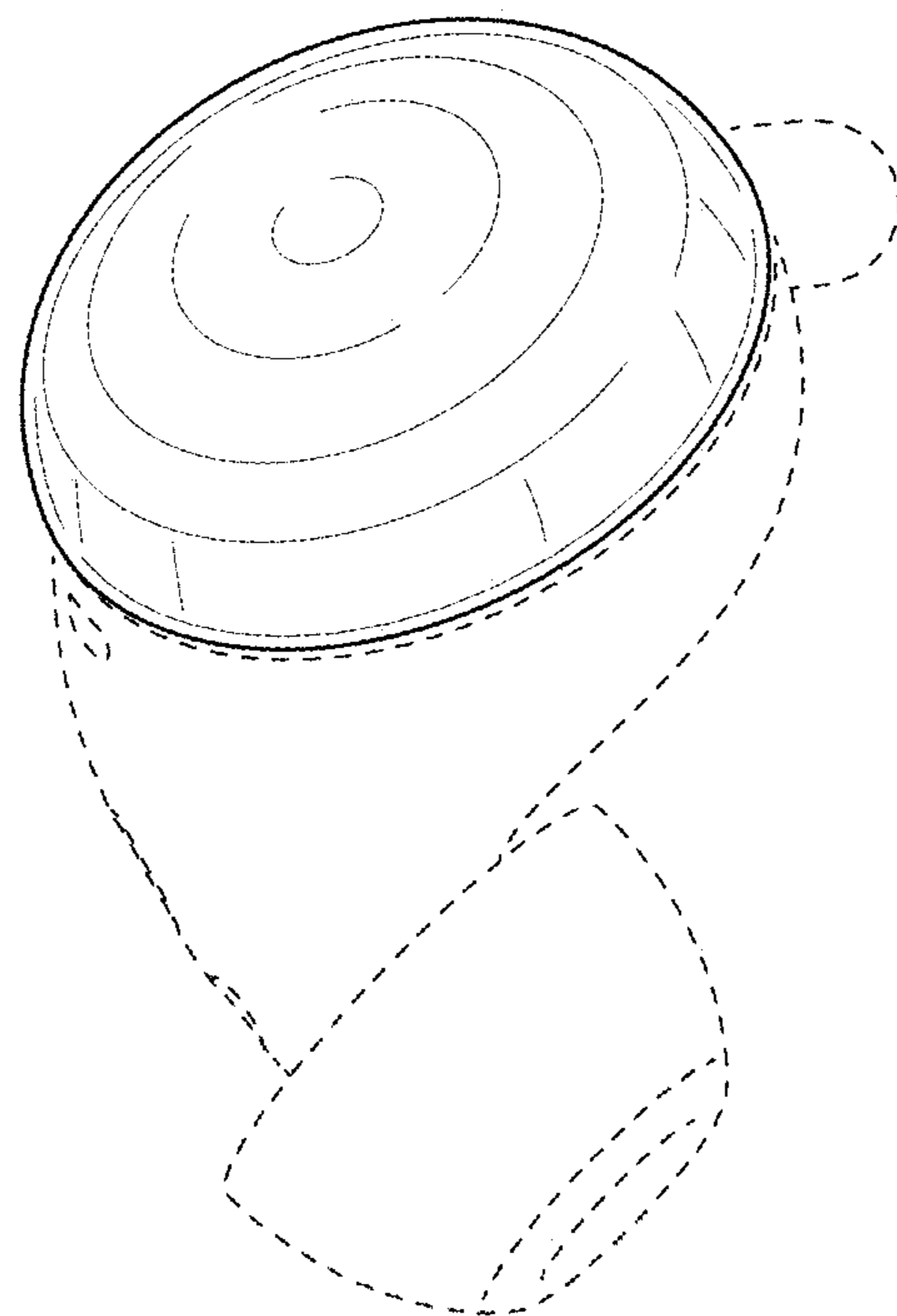


**FIG. 31**

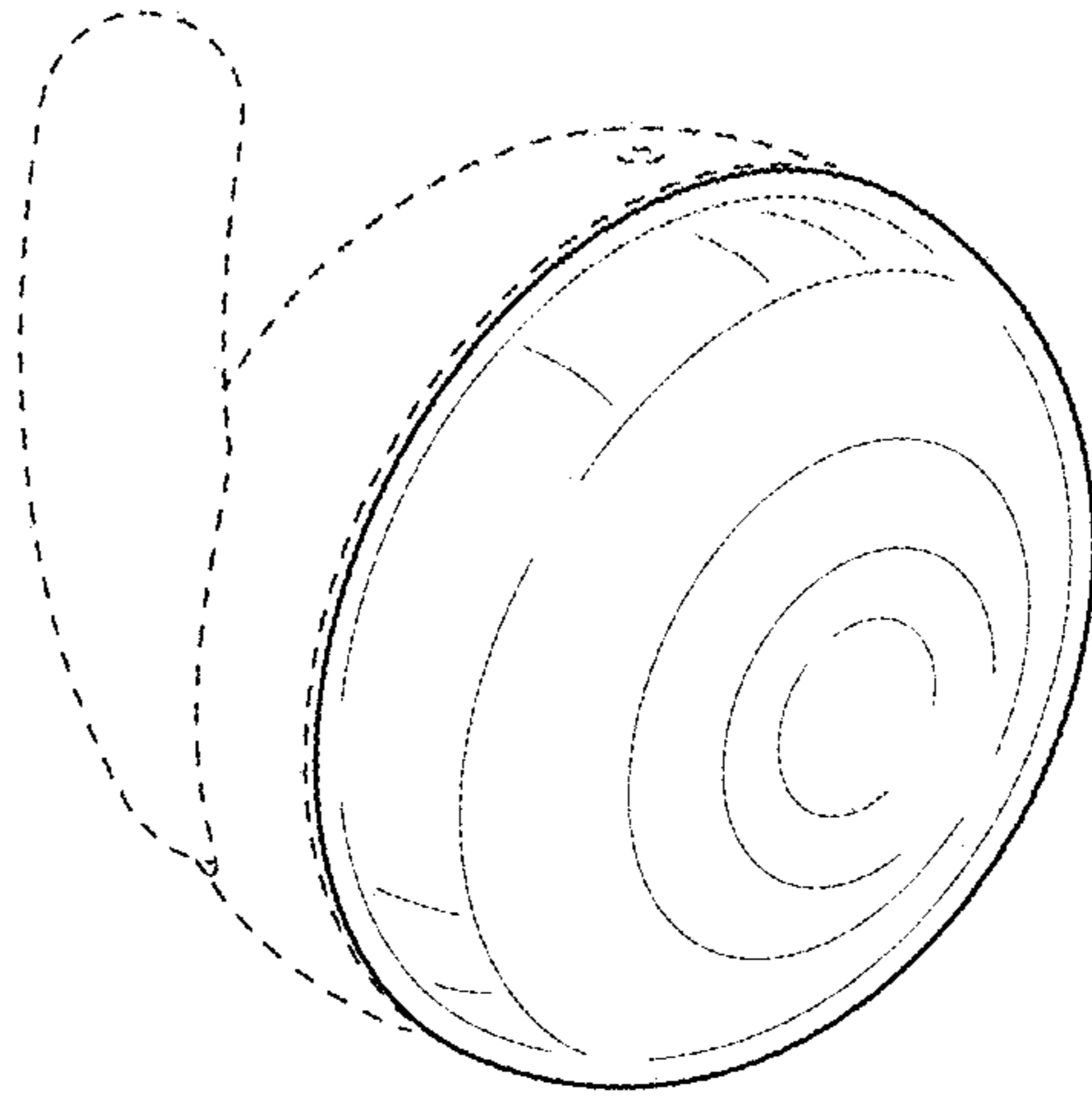




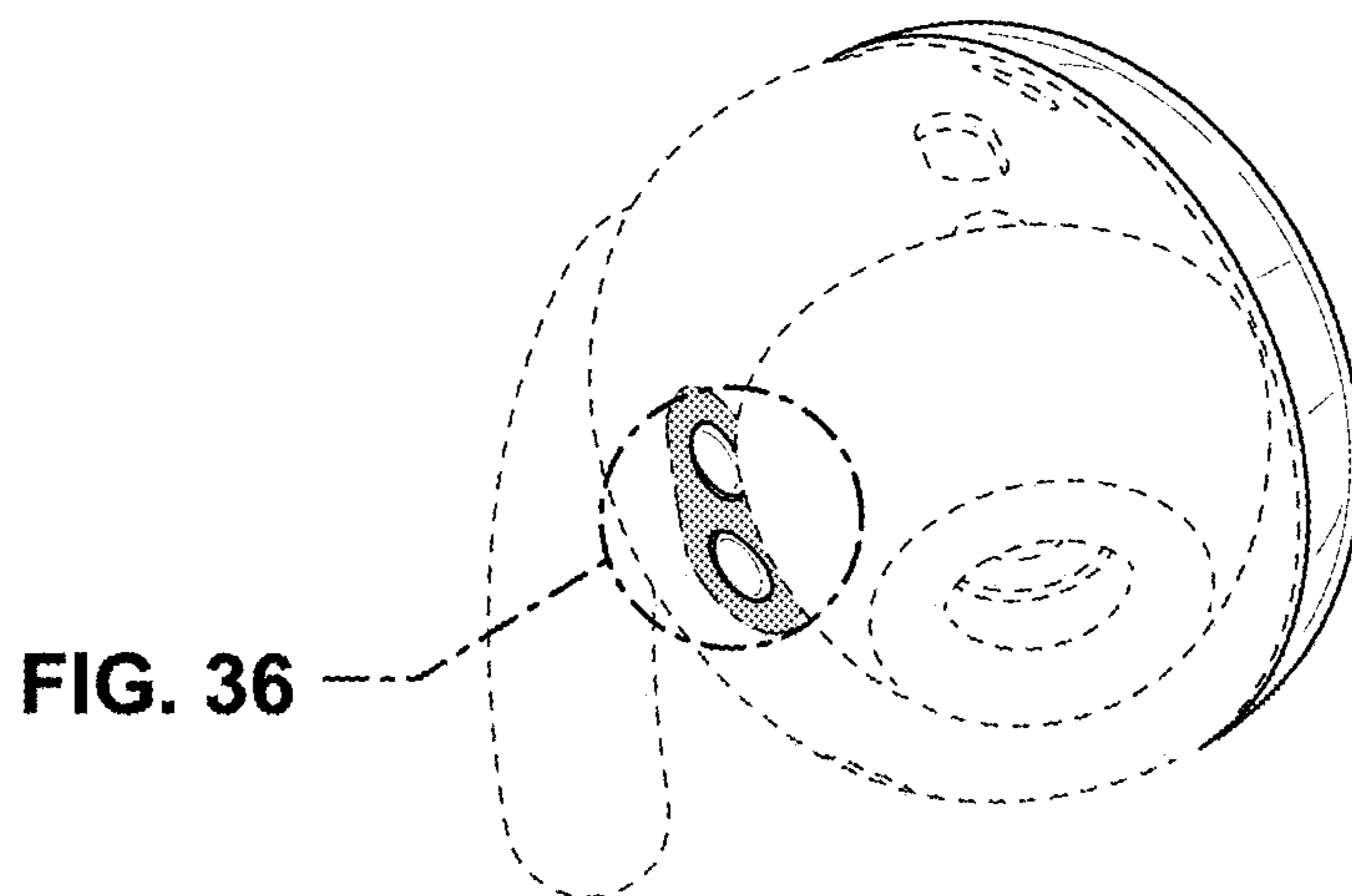
**FIG. 32**



**FIG. 33**

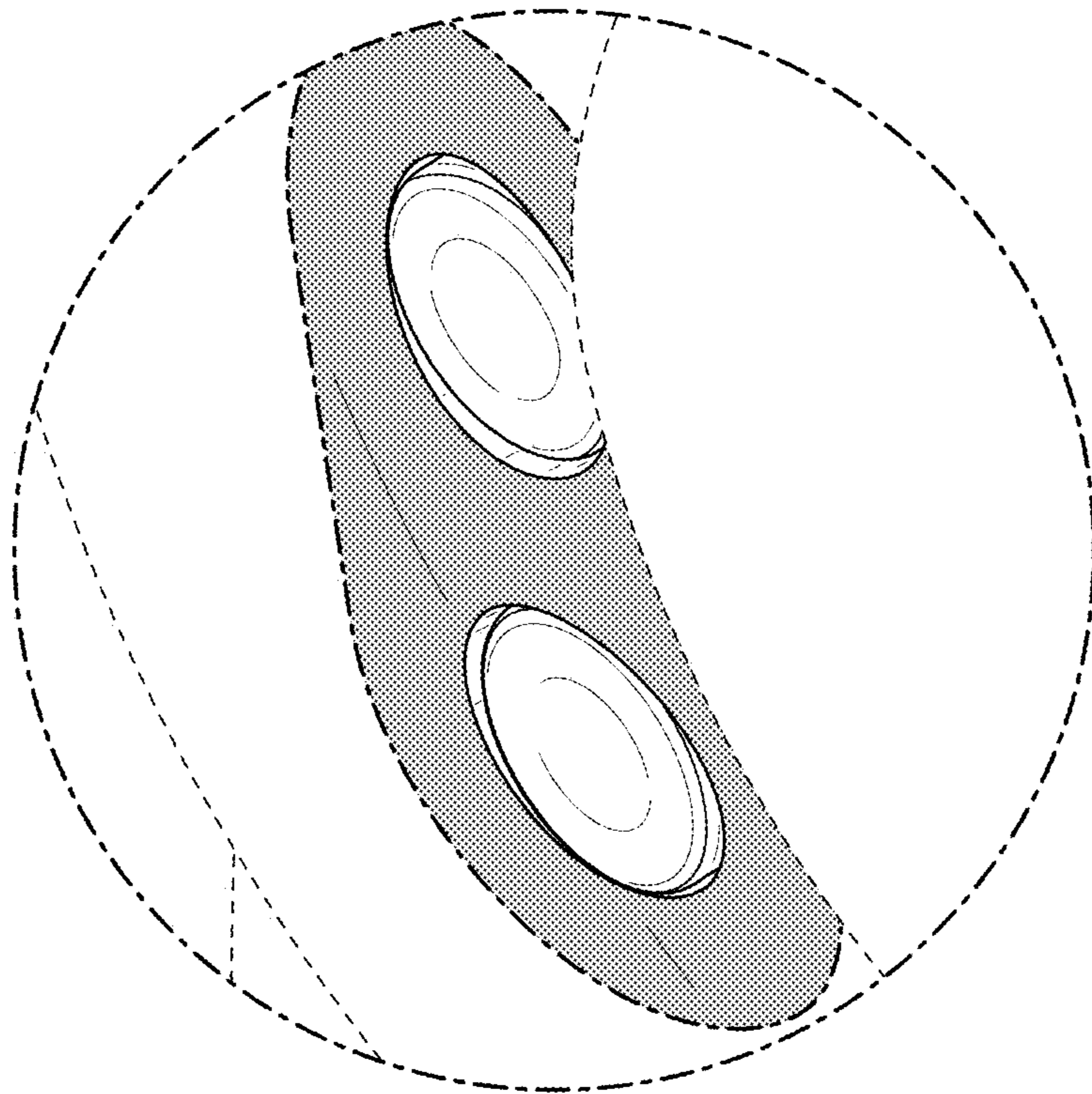


**FIG. 34**

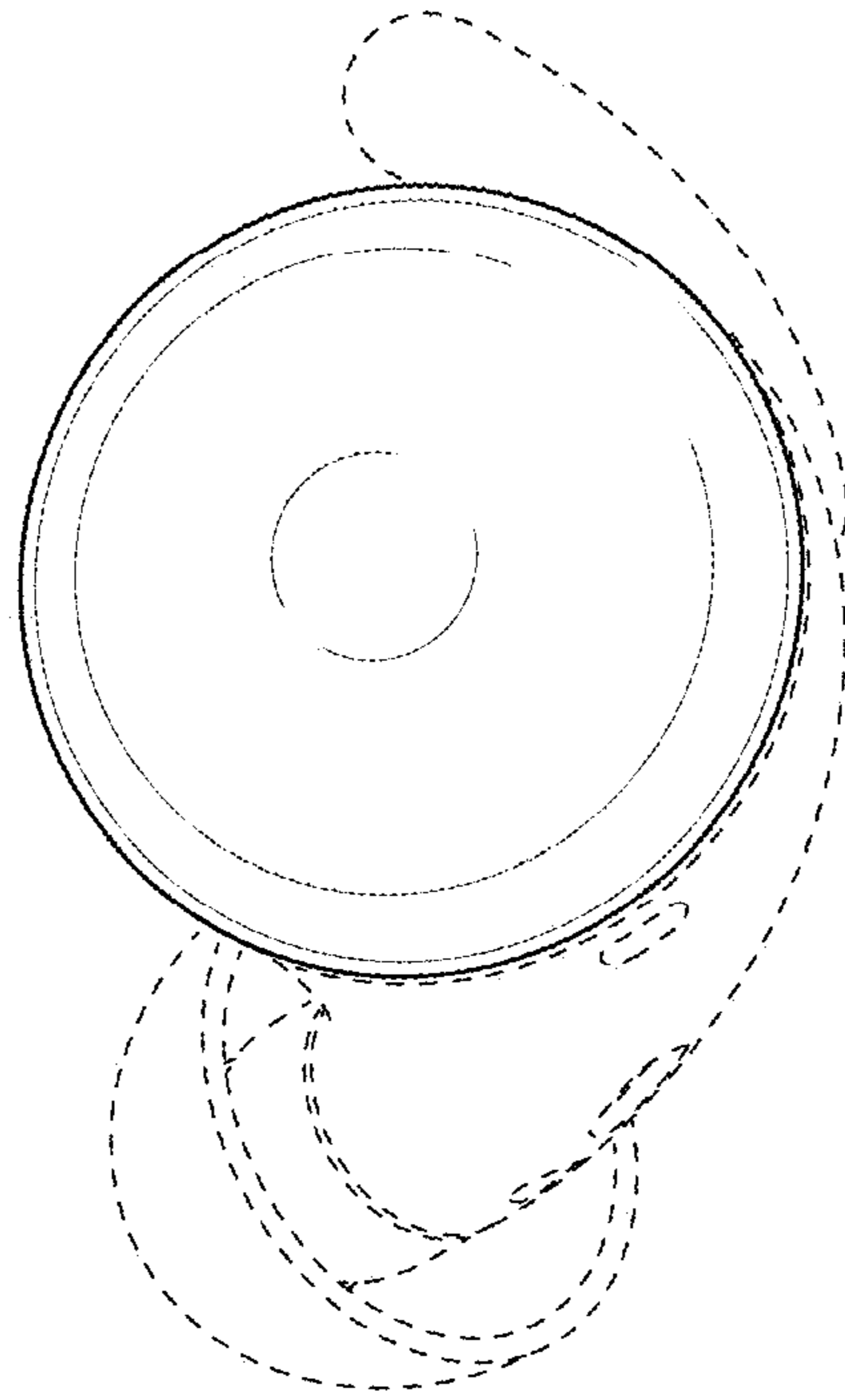


**FIG. 36**

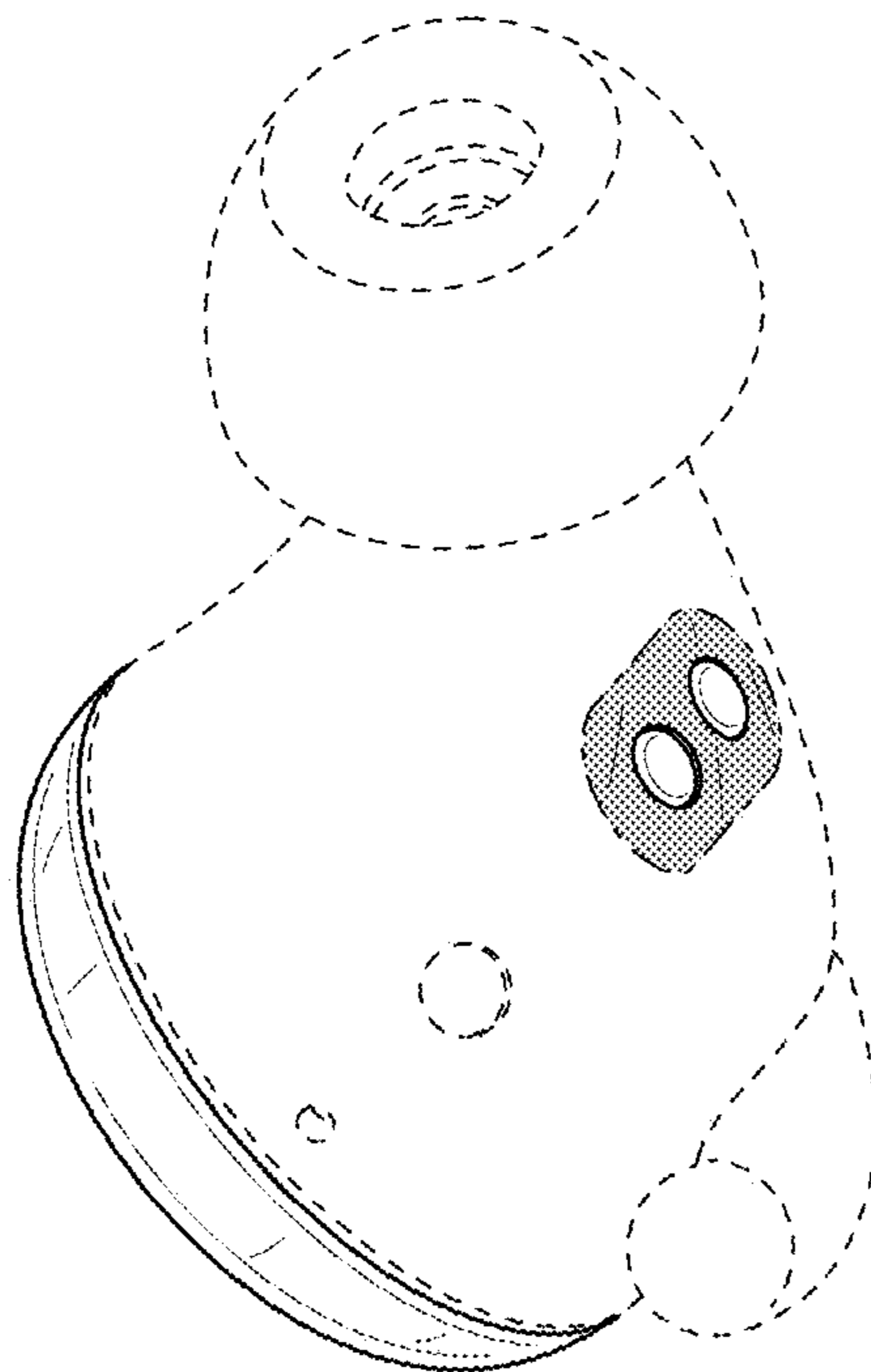
**FIG. 35**



**FIG. 36**

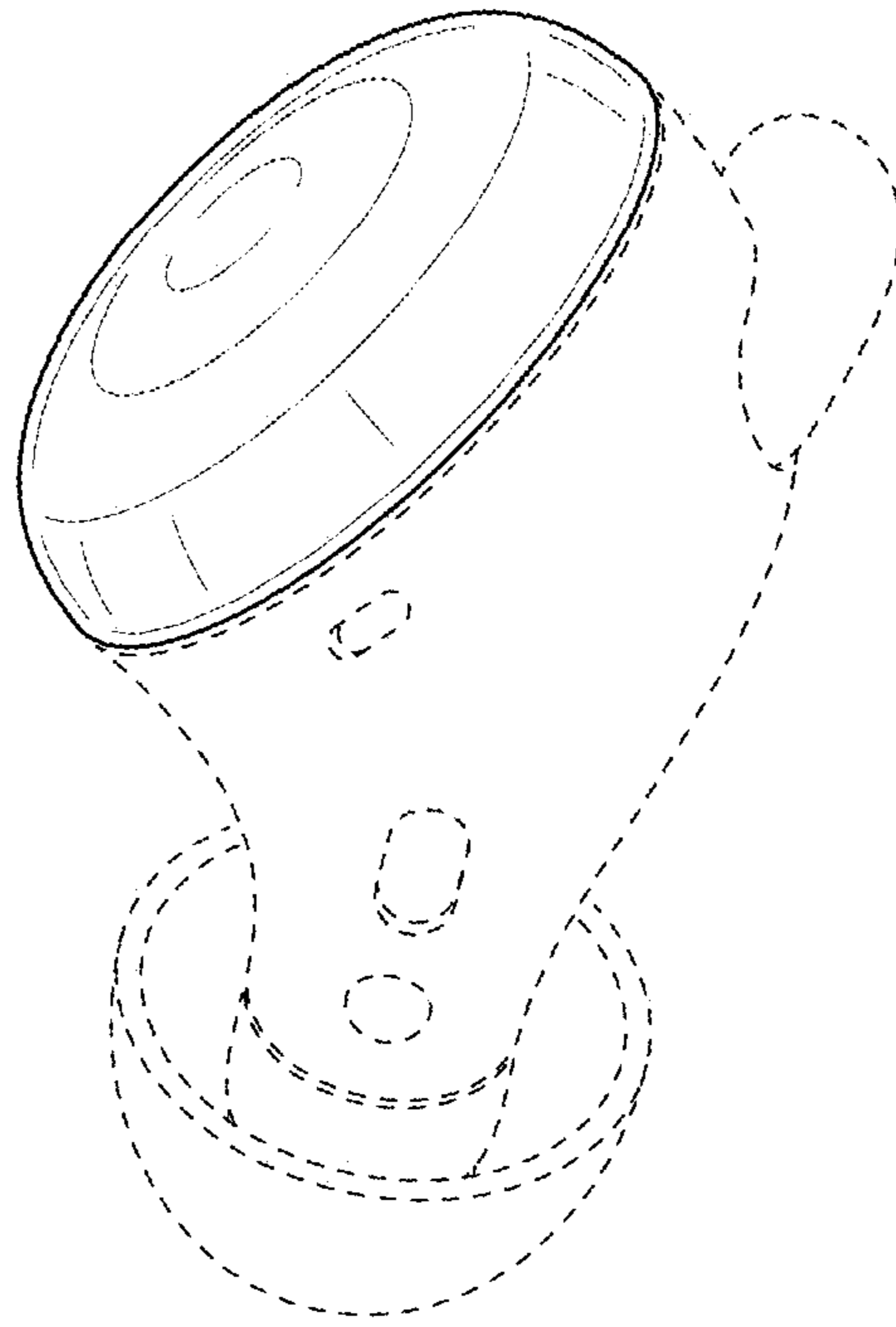


**FIG. 37**

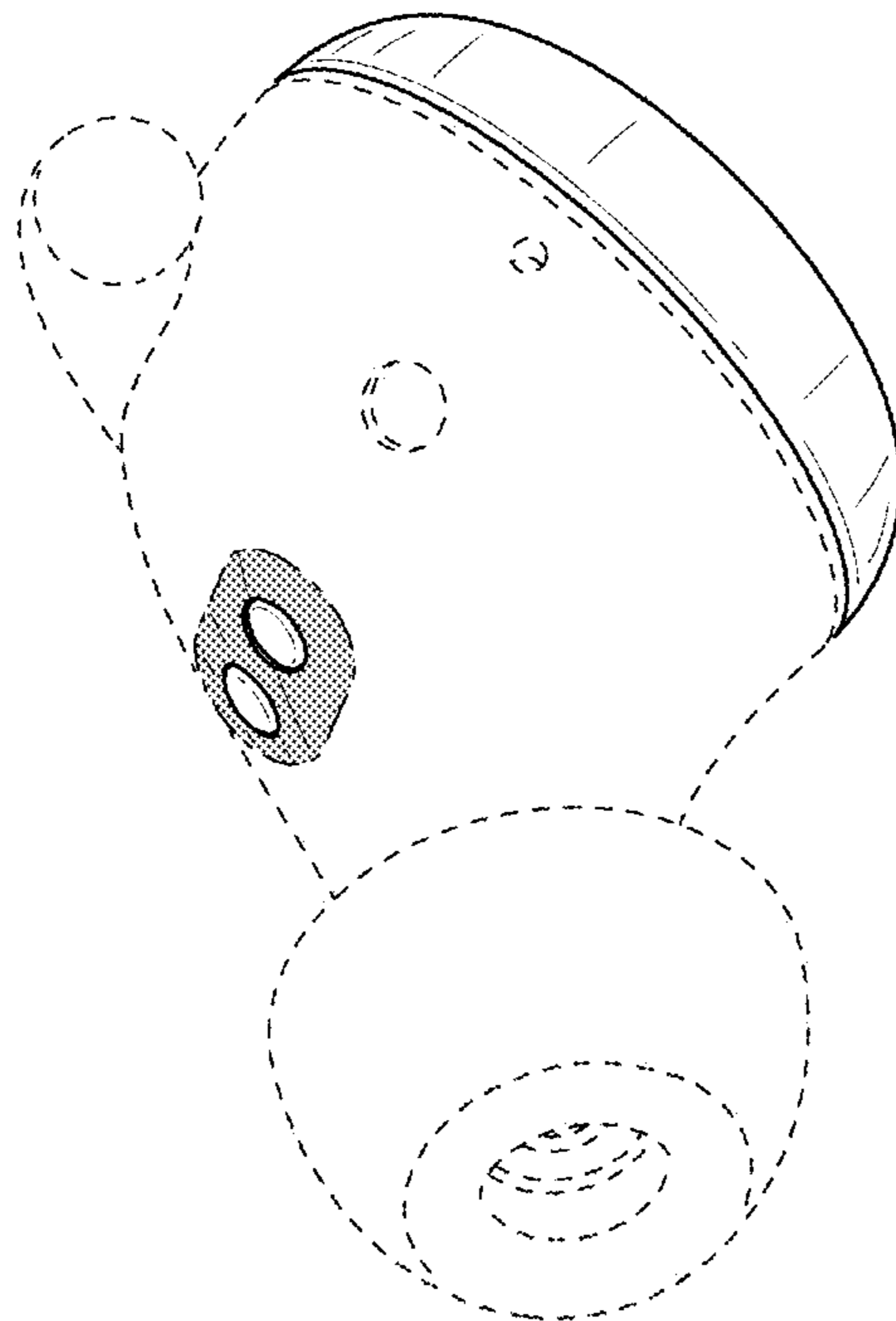


**FIG. 38**

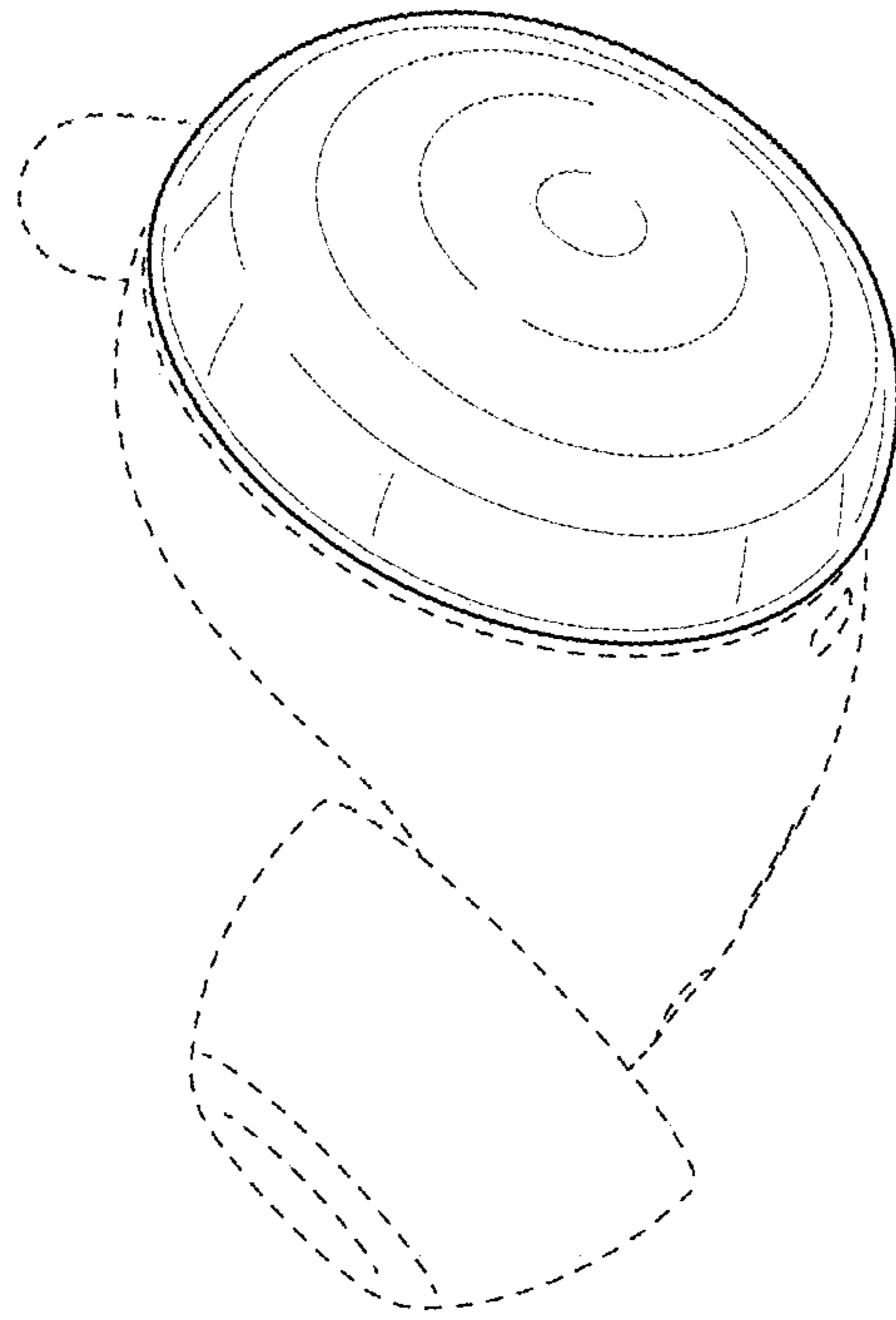




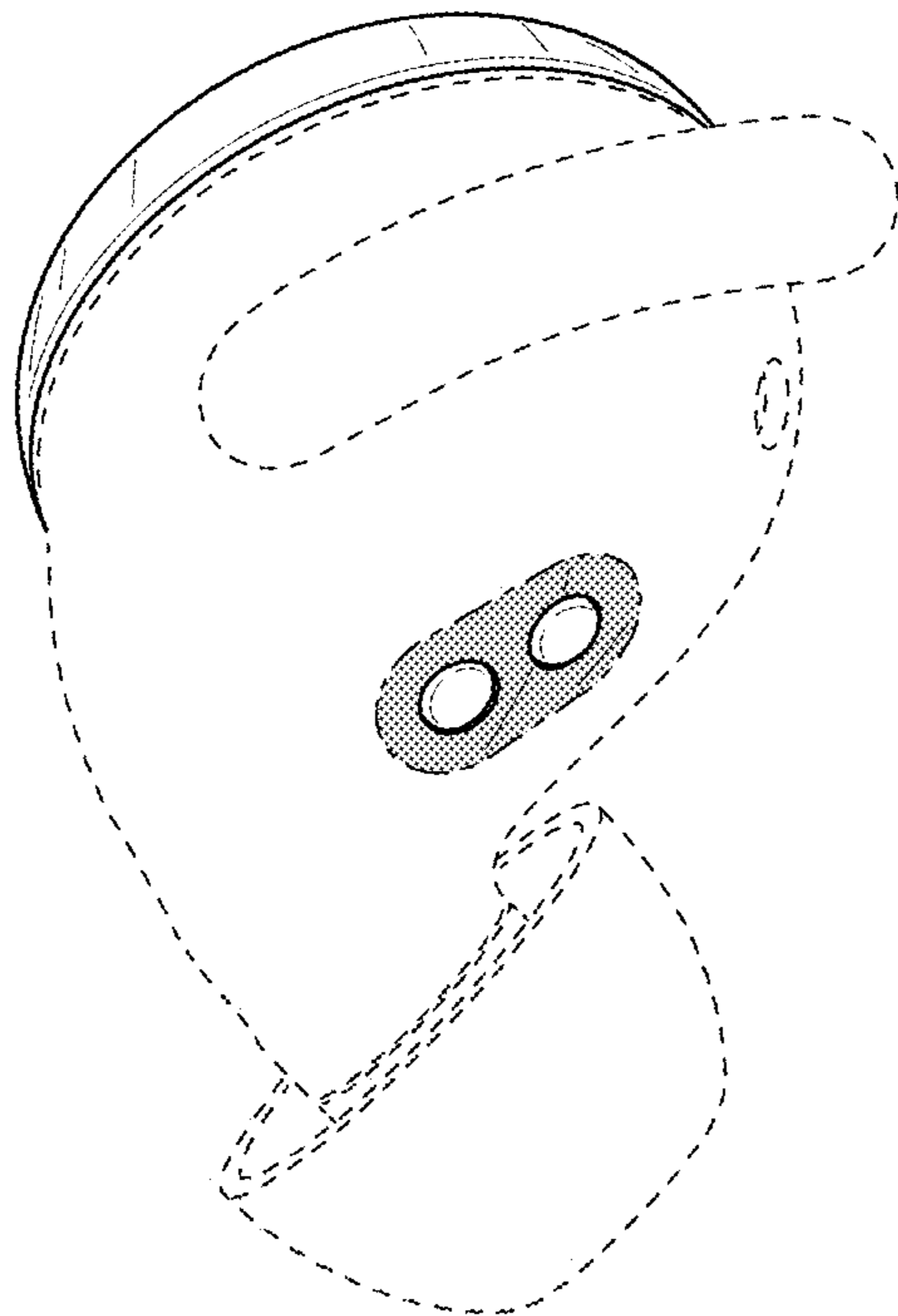
**FIG. 39**



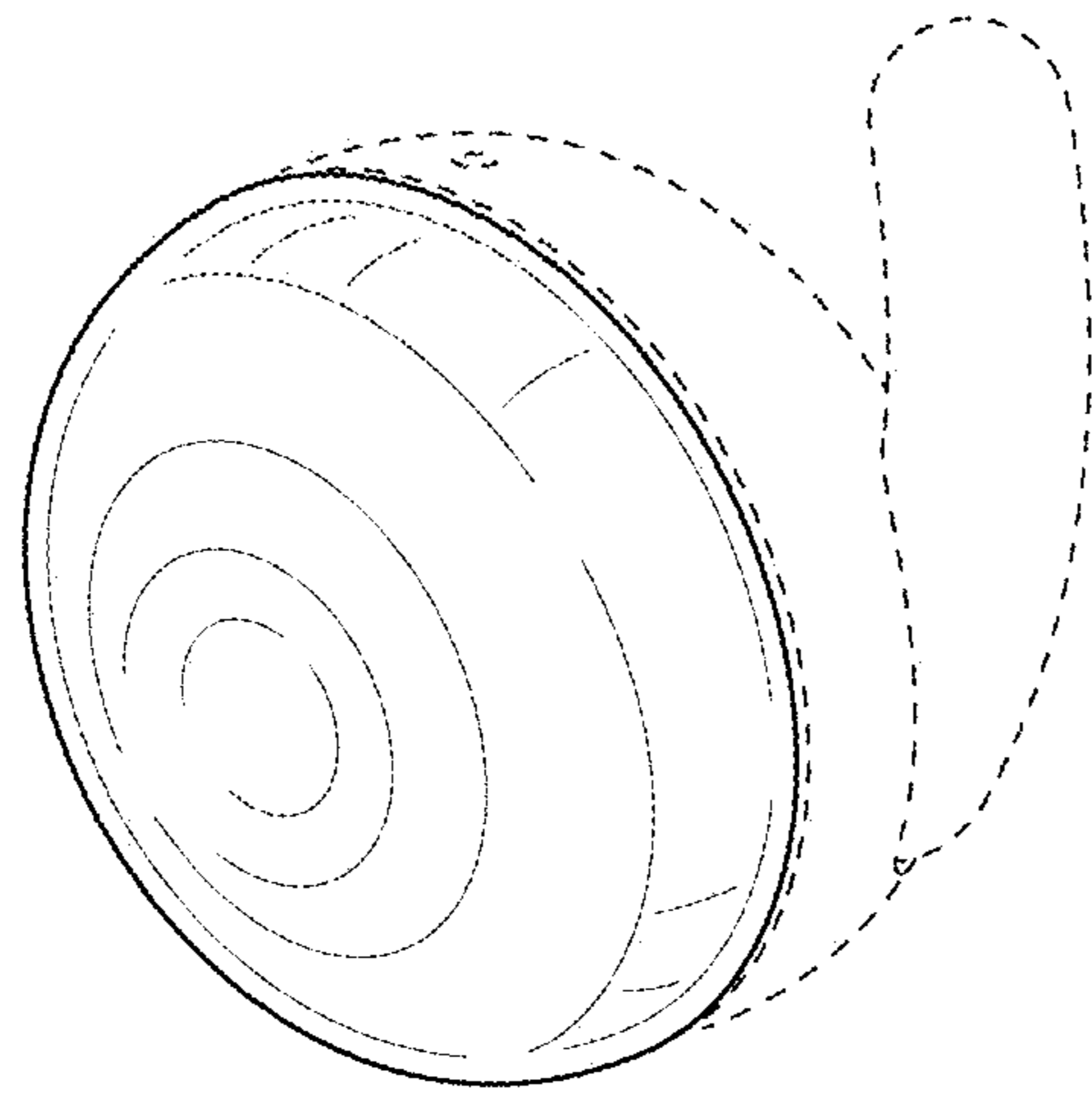
**FIG. 40**



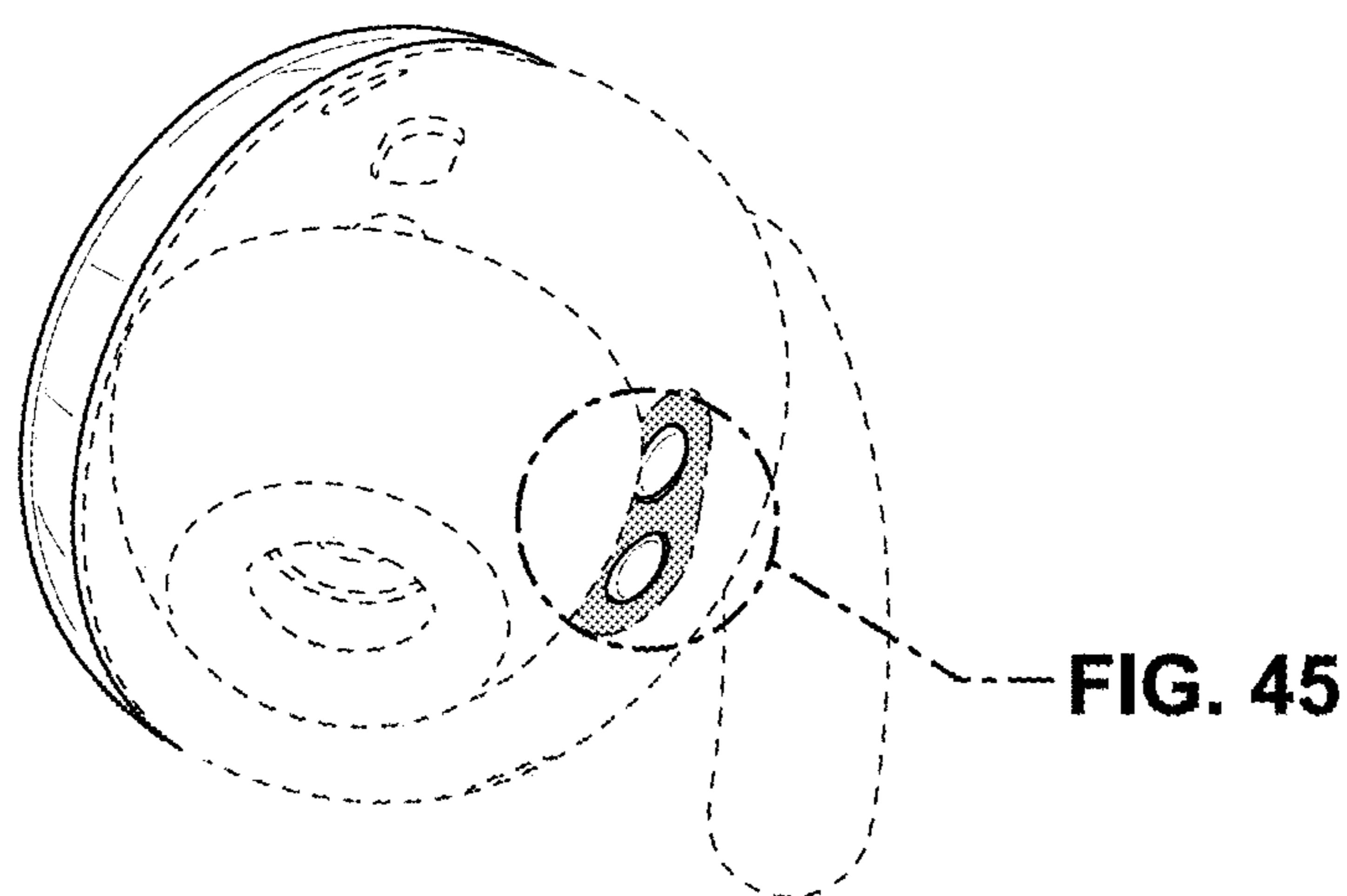
**FIG. 41**



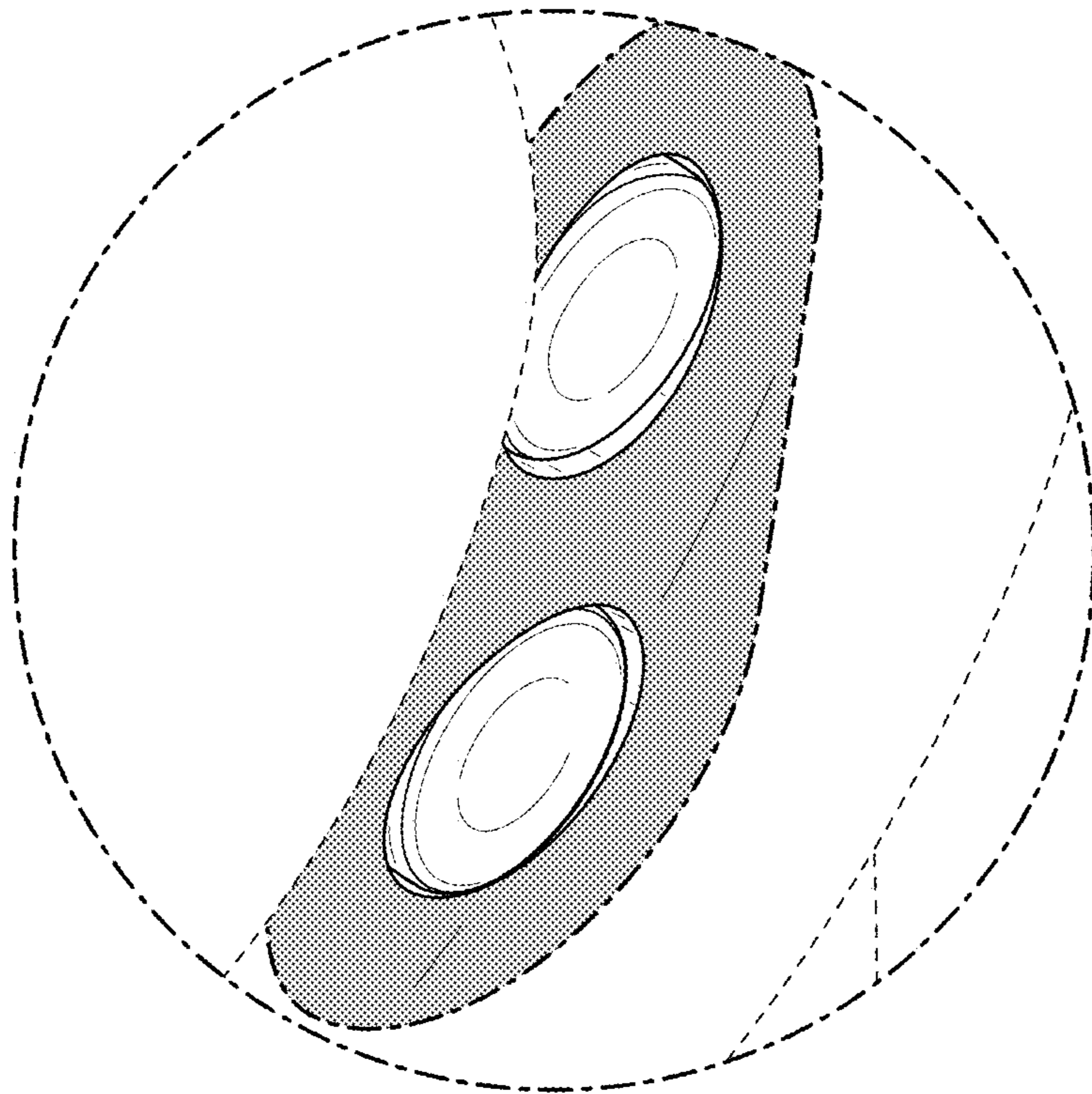
**FIG. 42**



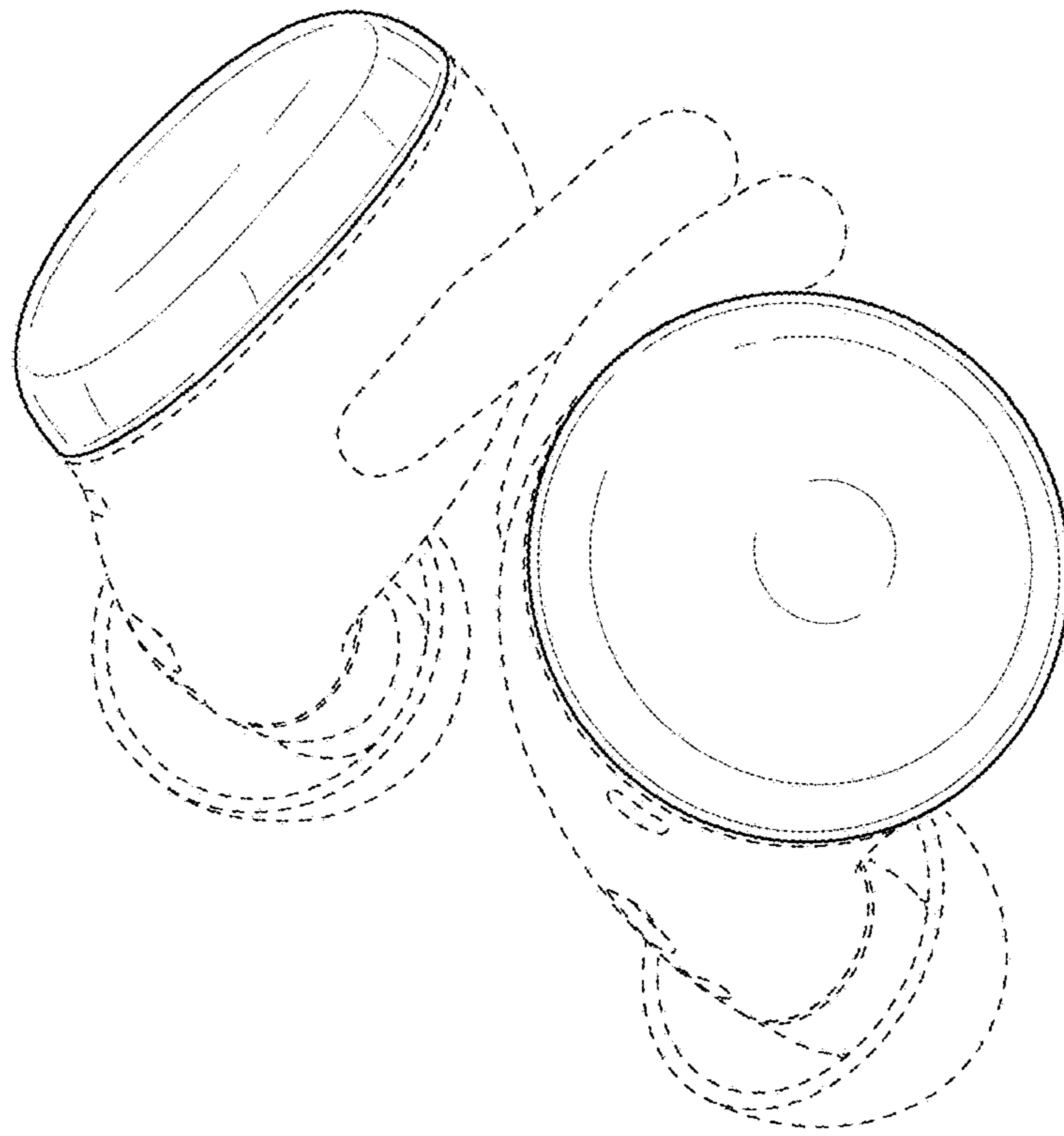
**FIG. 43**



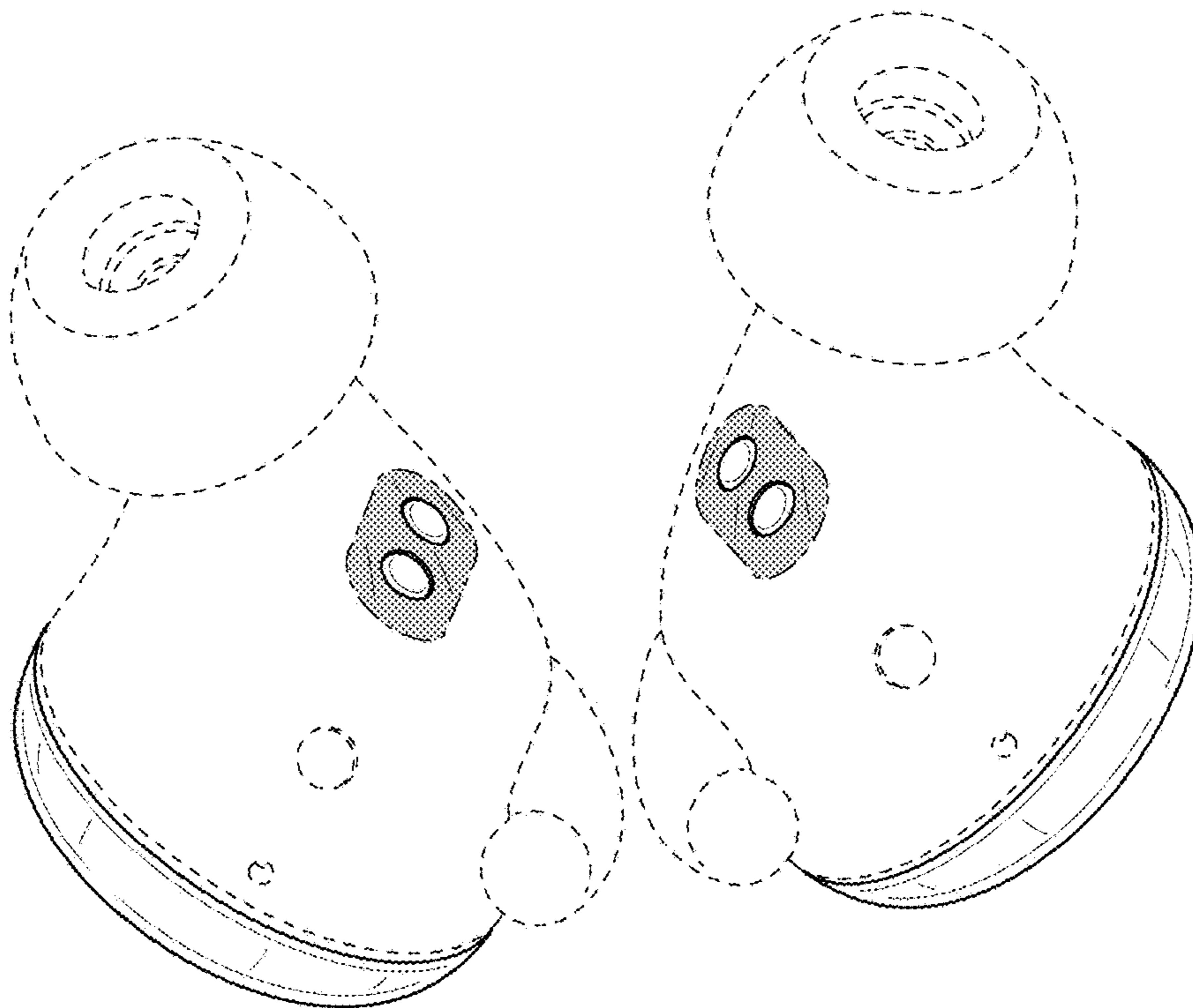
**FIG. 44**



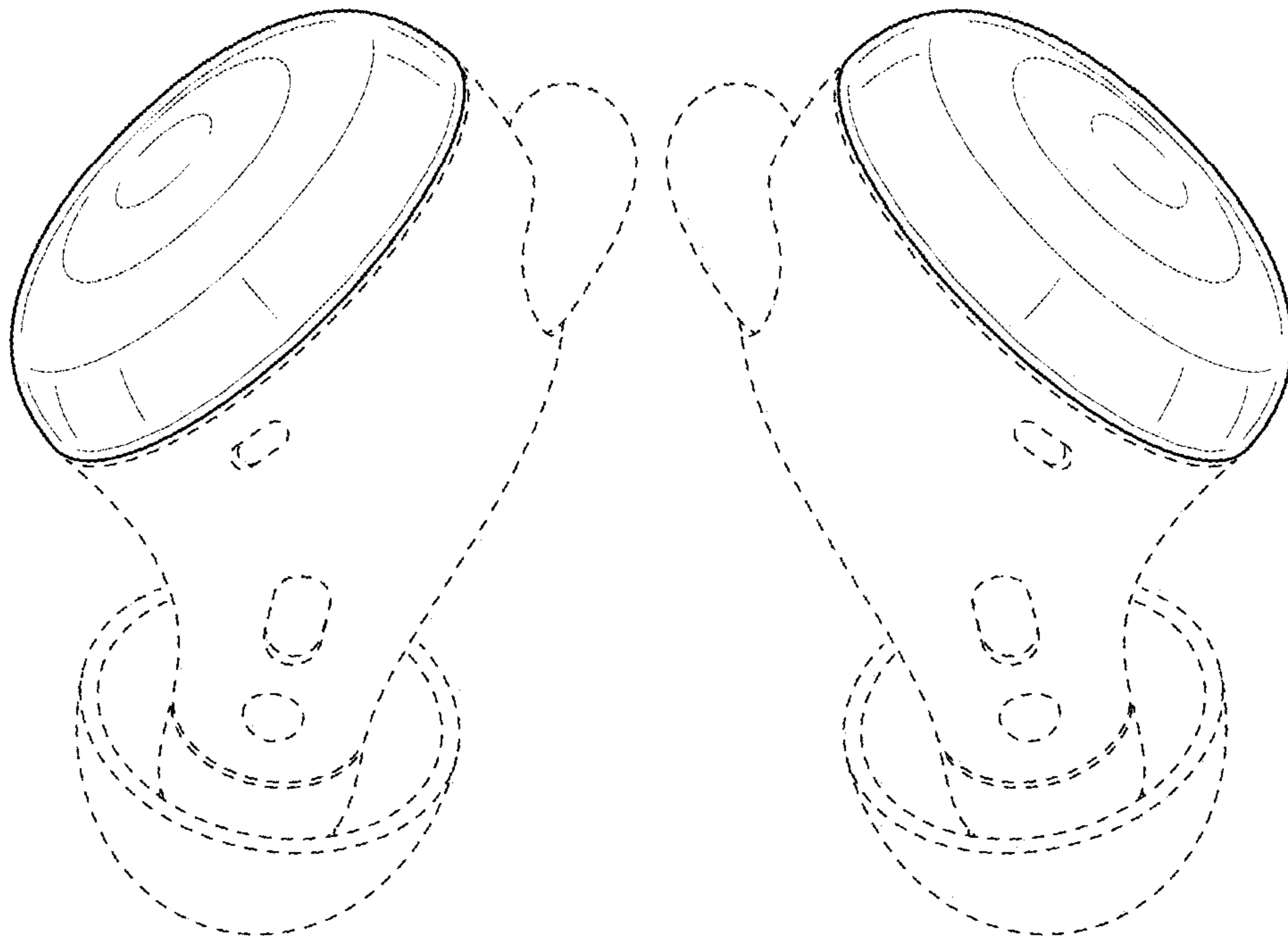
**FIG. 45**



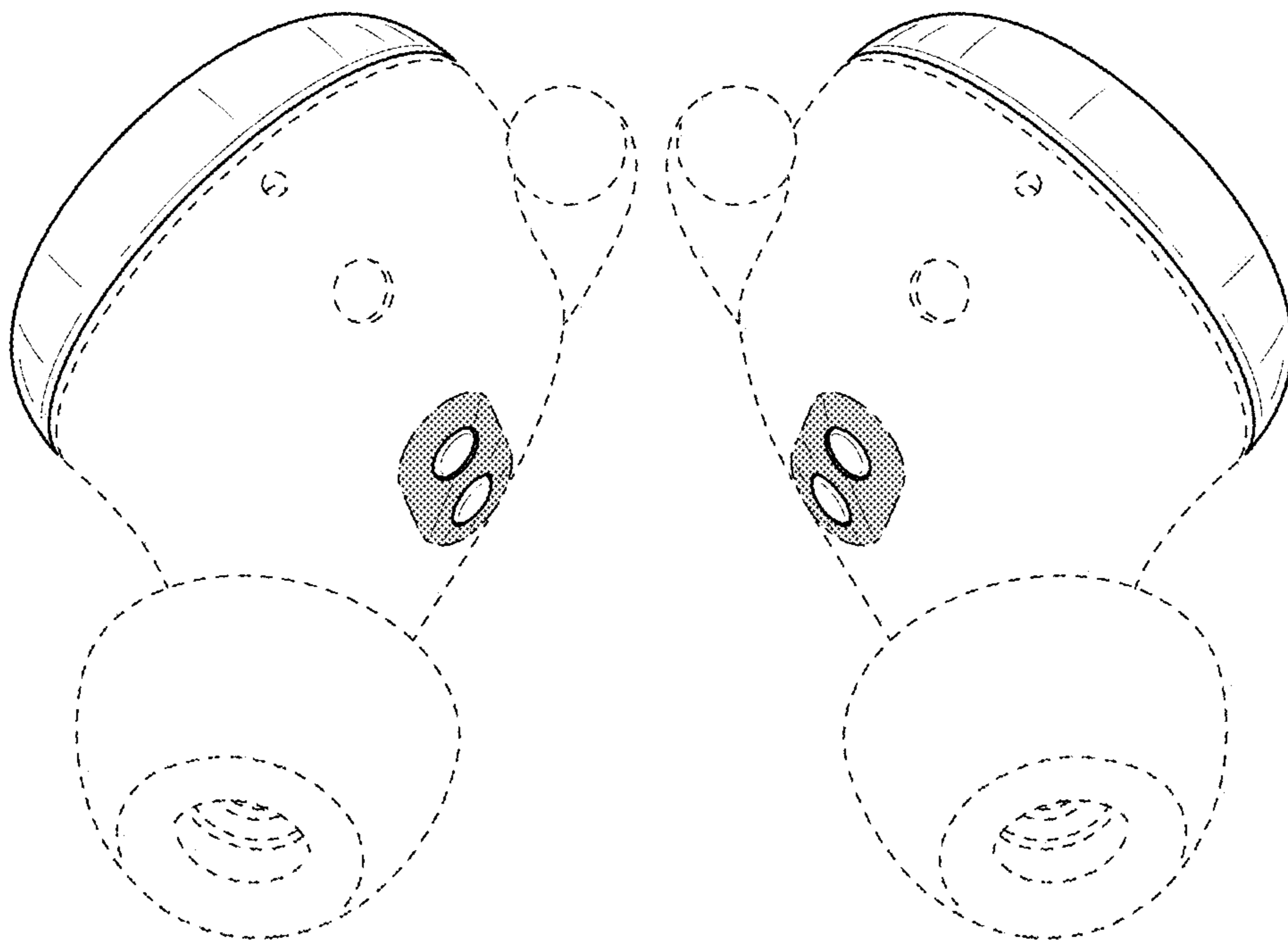
**FIG. 46**



**FIG. 47**

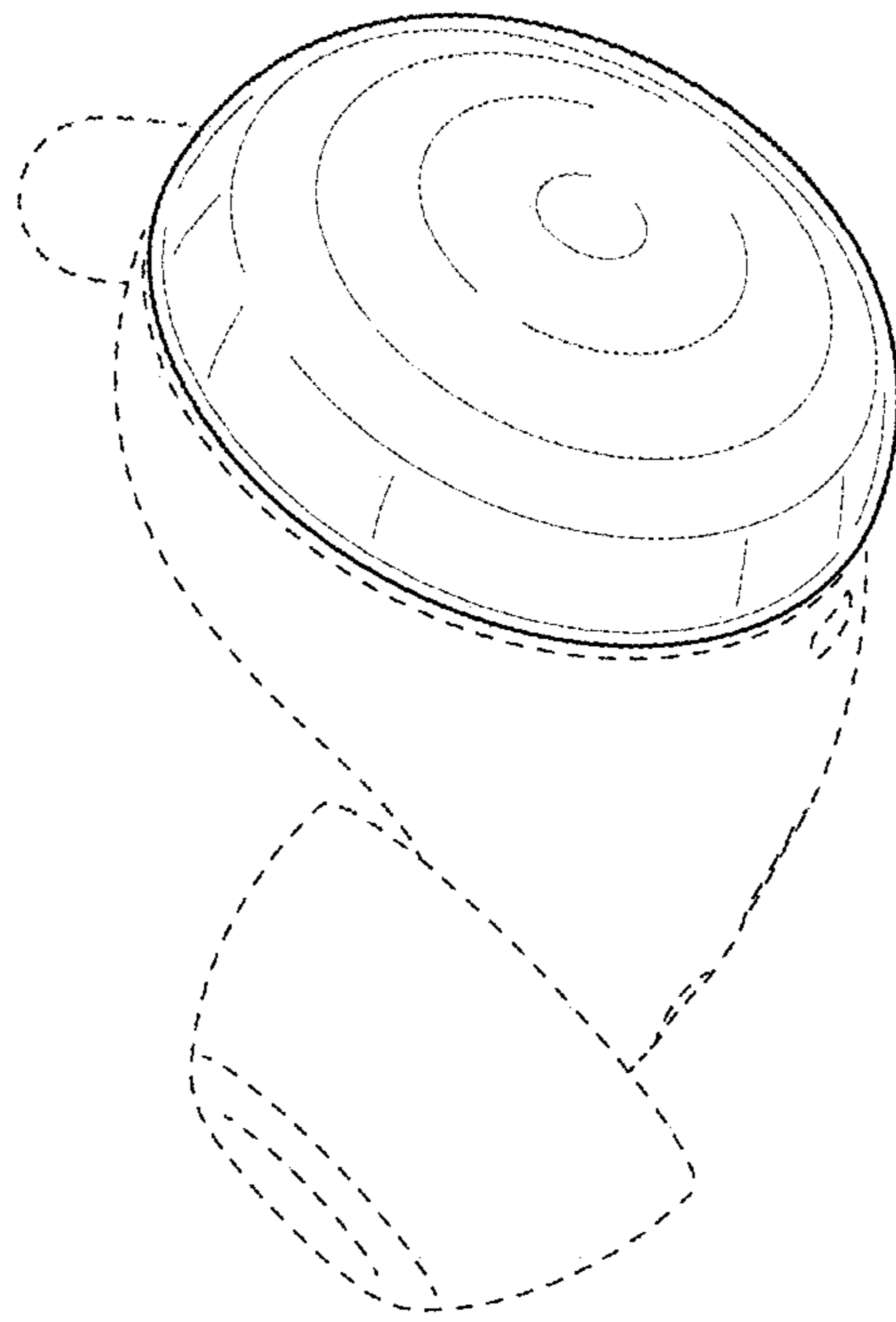


**FIG. 48**

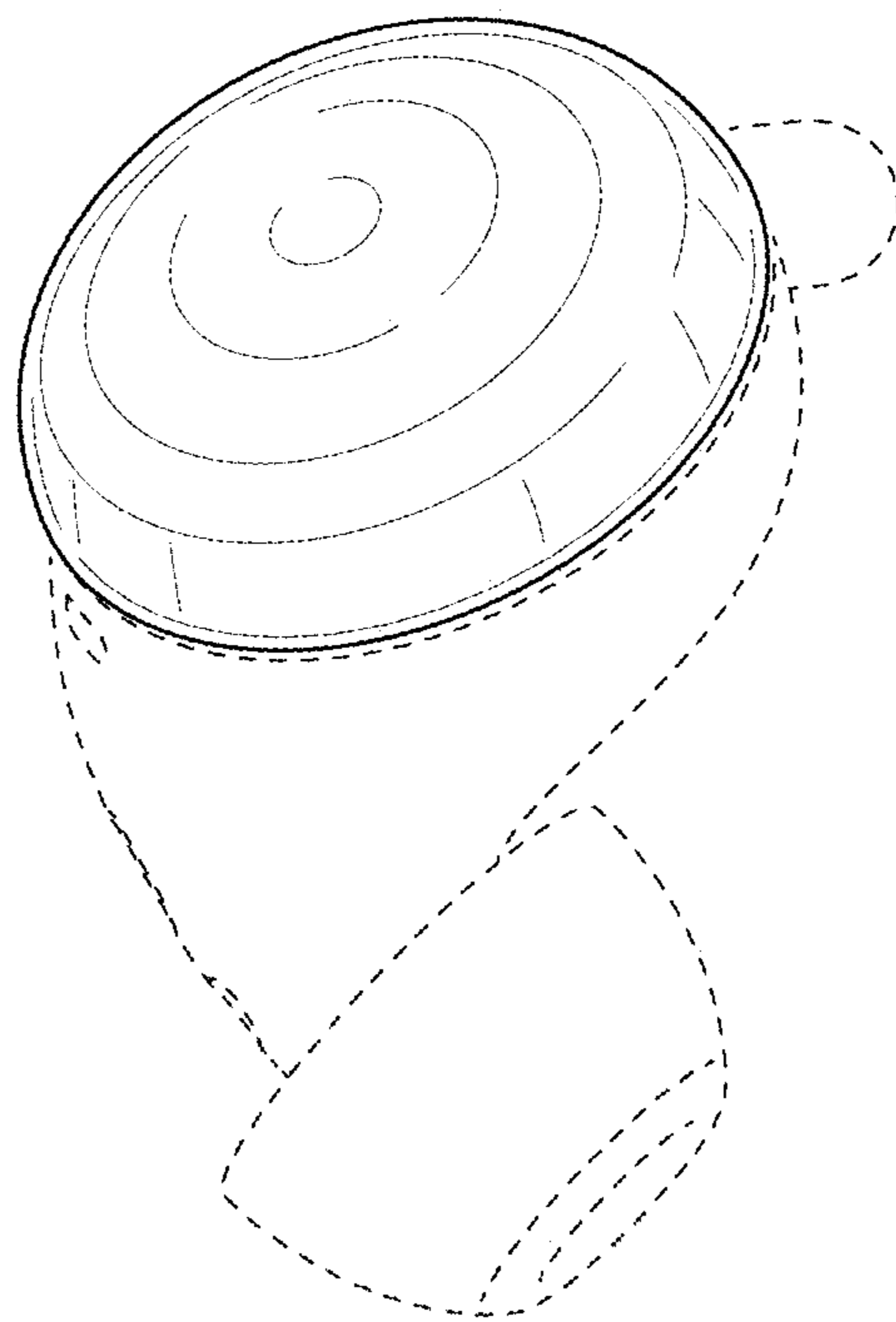


**FIG. 49**

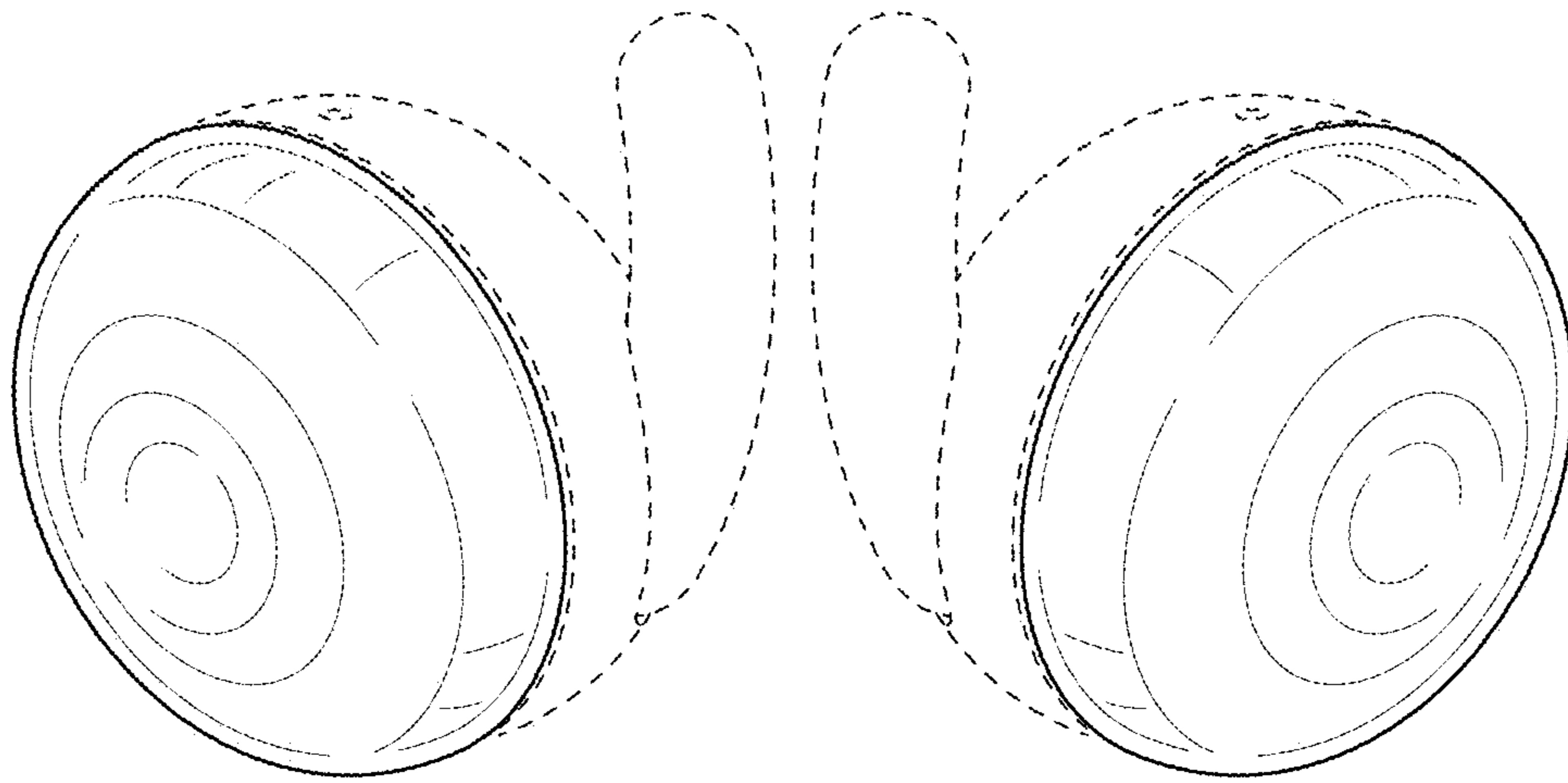




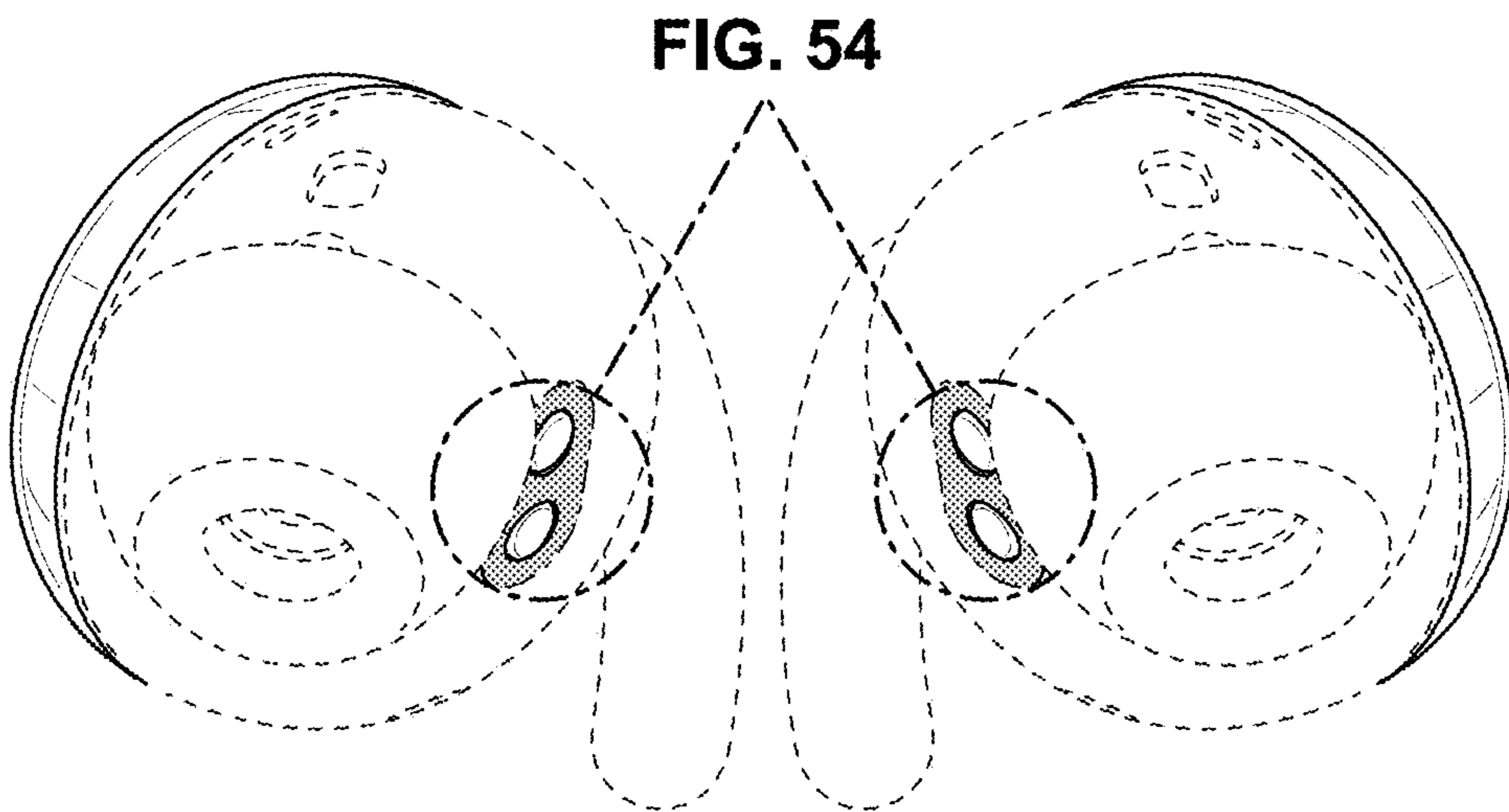
**FIG. 50**



**FIG. 51**

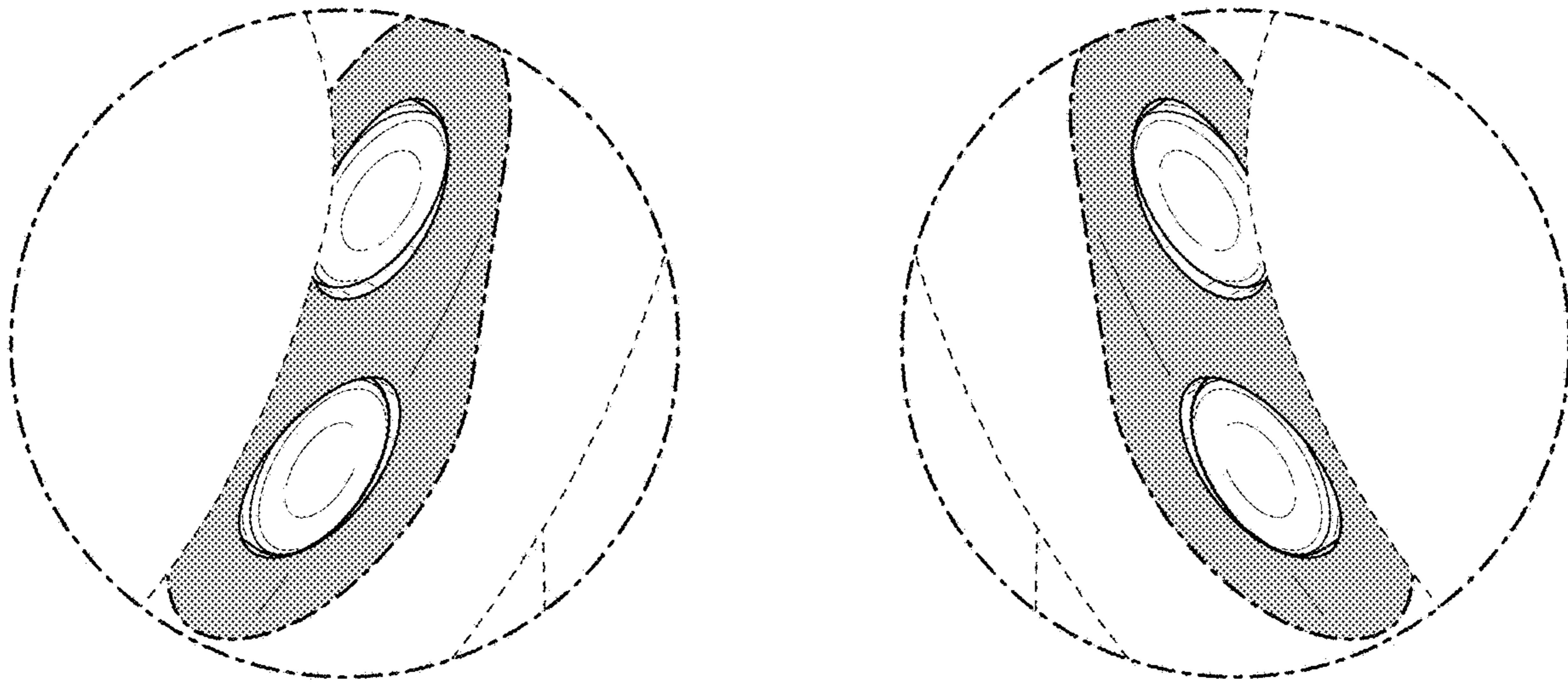


**FIG. 52**



**FIG. 54**

**FIG. 53**



**FIG. 54**