



US00D986855S

(12) **United States Design Patent**
Wang

(10) **Patent No.:** **US D986,855 S**
(45) **Date of Patent:** **** May 23, 2023**

(54) **COMBINED WIRELESS SPEAKER AND NIGHT LIGHT**

(71) Applicant: **Dongguan Bochuang Zhiguang Information Technology Co., Ltd.**, Dongguan (CN)

(72) Inventor: **Fuqing Wang**, Dongguan (CN)

(**) Term: **15 Years**

(21) Appl. No.: **29/862,485**

(22) Filed: **Dec. 9, 2022**

(51) **LOC (14) Cl.** **14-01**

(52) **U.S. Cl.**
USPC **D14/214; D14/172; D26/52**

(58) **Field of Classification Search**
USPC D14/167, 168, 170–172, 188, 194–197, D14/203.1–203.8, 204, 209.1, 210–217, D14/219, 221, 222, 224, 239, 496; D26/51, 52, 54

CPC B60R 11/0217; G06F 1/1688; G10K 9/22; G10K 11/004; H03F 1/327; H04M 1/03; H04M 1/035; H04N 5/642; H04N 21/4852; H04R 1/02; H04R 1/06; H04R 1/021; H04R 1/025; H04R 1/026; H04R 1/028; H04R 1/105; H04R 1/323; H04R 1/403; H04R 1/2803; H04R 1/2834; H04R 5/02; H04R 7/20; H04R 9/06; H04R 9/025; H04R 2201/021; H04R 2400/00; H04R 2400/07; H04R 2499/11; H04R 2499/13; H04R 2499/15; H04S 3/00; H04S 7/30

See application file for complete search history.

(56) **References Cited**

U.S. PATENT DOCUMENTS

D629,827 S * 12/2010 Morenstein D16/221
D674,778 S * 1/2013 Skurdal D14/214

D690,280 S * 9/2013 Schul D14/188
D699,710 S * 2/2014 Lee D14/214
D709,857 S * 7/2014 Silvera D14/171
D714,249 S * 9/2014 Carney D14/140
D725,624 S * 3/2015 Carney D14/149
D758,345 S * 6/2016 Fujioka D14/214
D813,193 S * 3/2018 Zeng
D842,847 S * 3/2019 Walliser D14/240
D844,875 S * 4/2019 Jeon D26/51
D855,028 S * 7/2019 Green D14/125
D864,895 S * 10/2019 Kim D14/204
D872,054 S * 1/2020 Meredith D14/214
D888,015 S * 6/2020 Gu D14/214

(Continued)

Primary Examiner — Keli L Hill

(74) *Attorney, Agent, or Firm* — Daniel M. Cohn; Howard M. Cohn

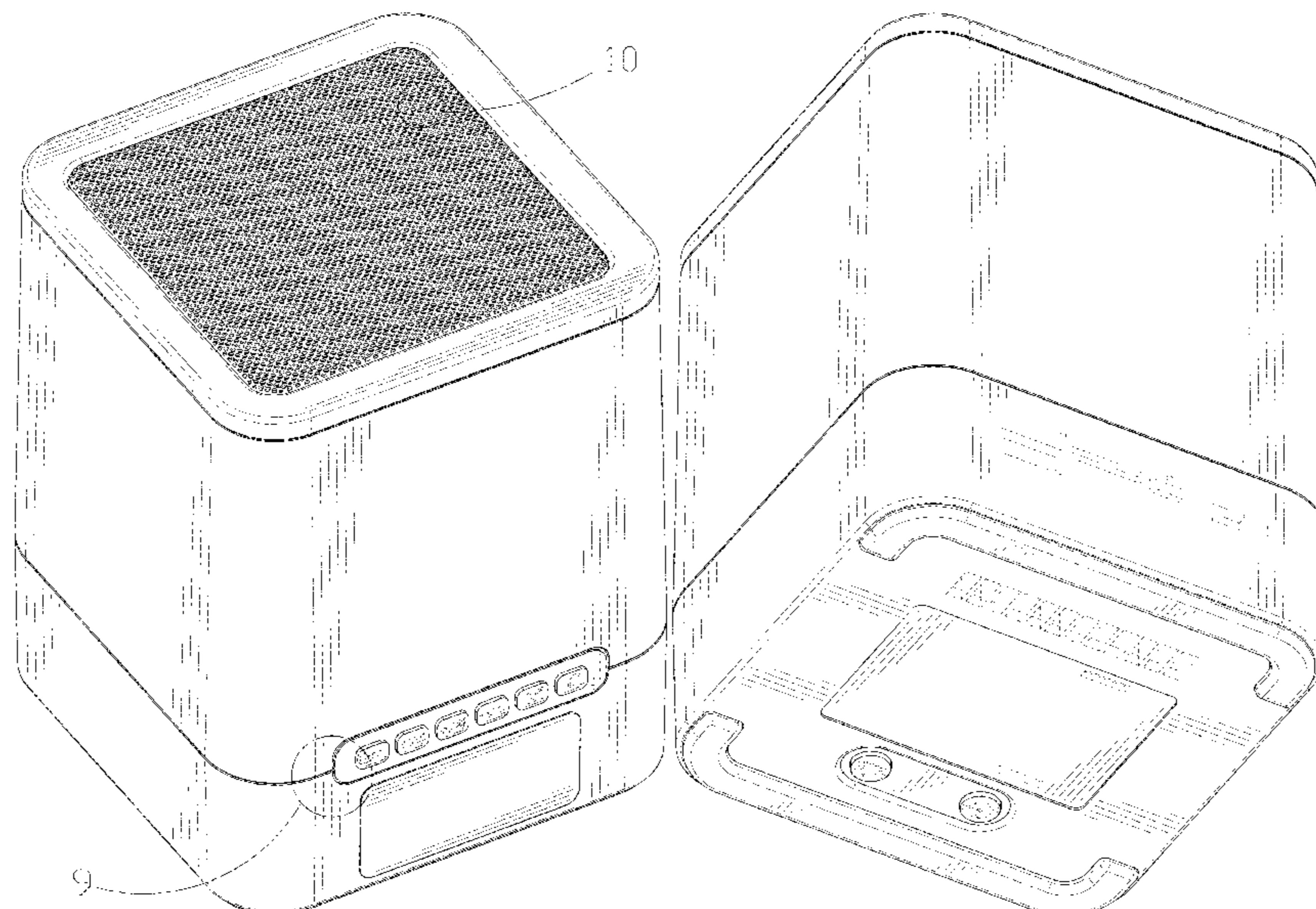
(57) **CLAIM**

The ornamental design for a combined wireless speaker and night light, as shown and described.

DESCRIPTION

FIG. 1 is a perspective view of a combined wireless speaker and night light showing my new design; FIG. 2 is another perspective view thereof; FIG. 3 is a front elevational view thereof; FIG. 4 is a rear elevational view thereof; FIG. 5 is a left side elevational view thereof; FIG. 6 is a right side elevational view thereof; FIG. 7 is a top plan view thereof; FIG. 8 is a bottom plan view thereof; FIG. 9 is an enlarged view of portion 9 shown in FIG. 1; and, FIG. 10 is an enlarged view of portion 10 shown in FIG. 1. The dash-dash broken lines in the drawings depict portions of the combined wireless speaker and night light that form no part of the claimed design. The dot-dash broken lines represent boundaries of the enlarged portions and form no part of the claimed design.

1 Claim, 10 Drawing Sheets



(56)

References Cited

U.S. PATENT DOCUMENTS

D915,351 S * 4/2021 Liao D14/214
D946,802 S * 3/2022 Wijaya D14/204
D974,329 S * 1/2023 Chen D14/214

* cited by examiner

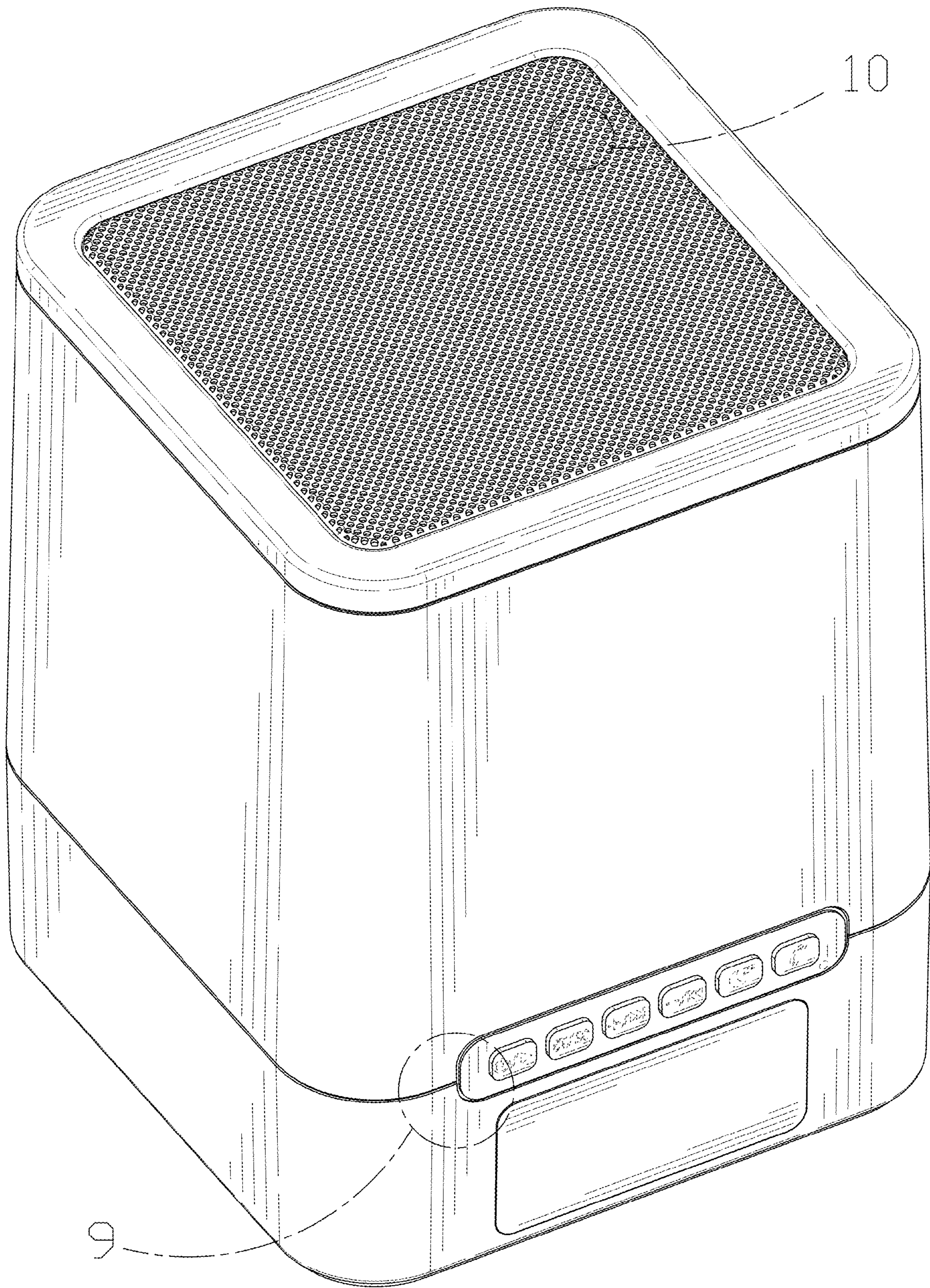


FIG. 1

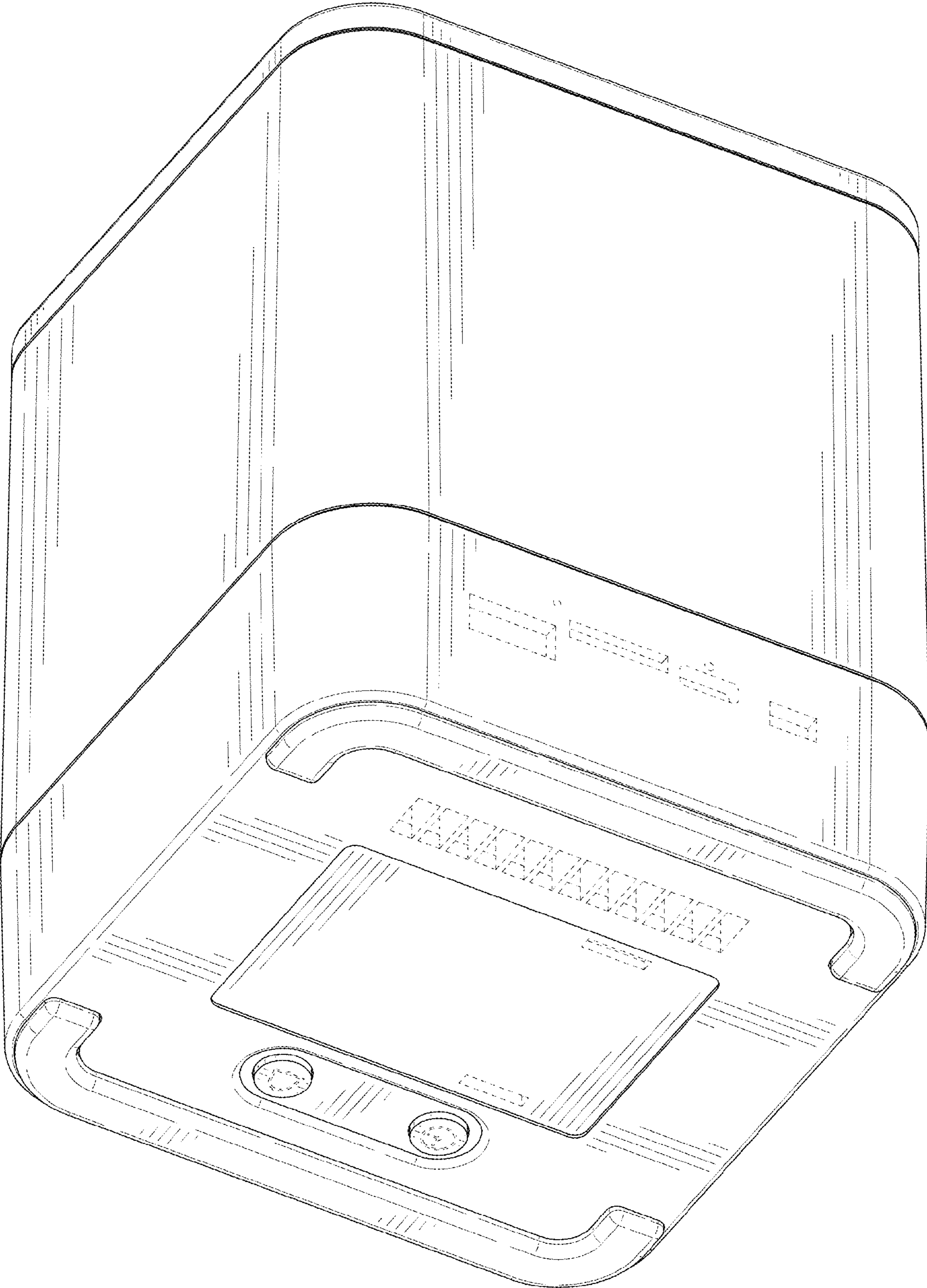


FIG. 2

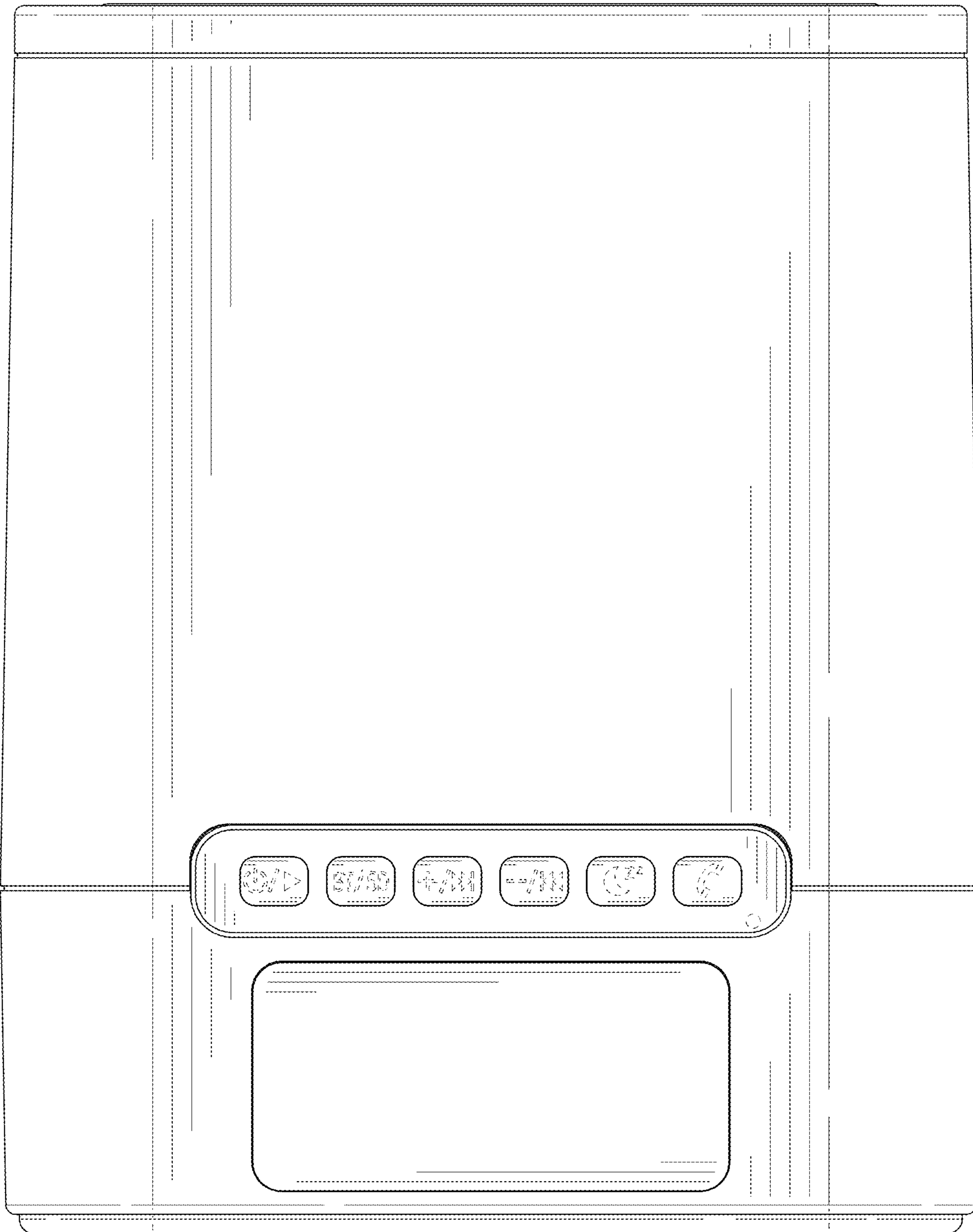


FIG. 3

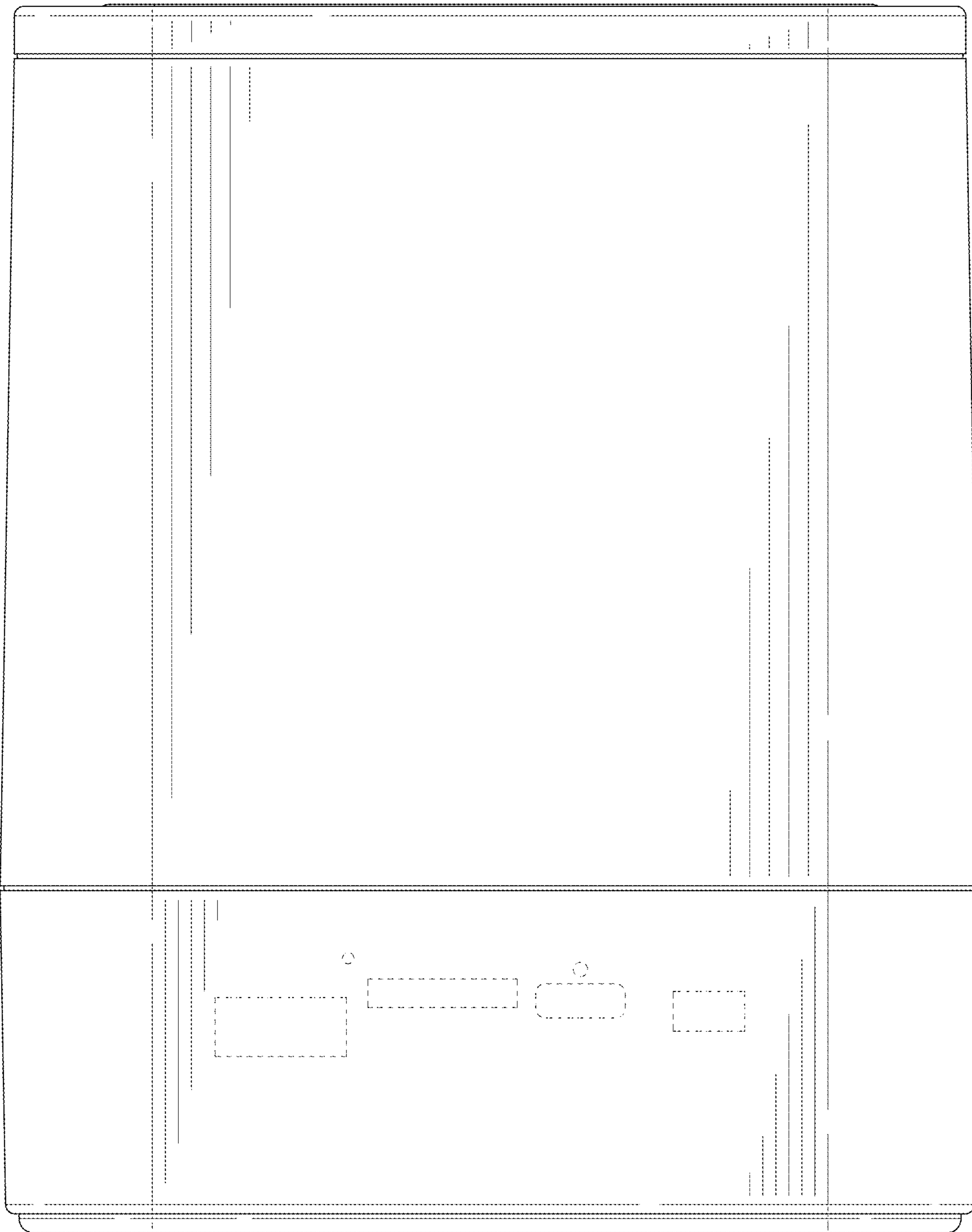


FIG. 4

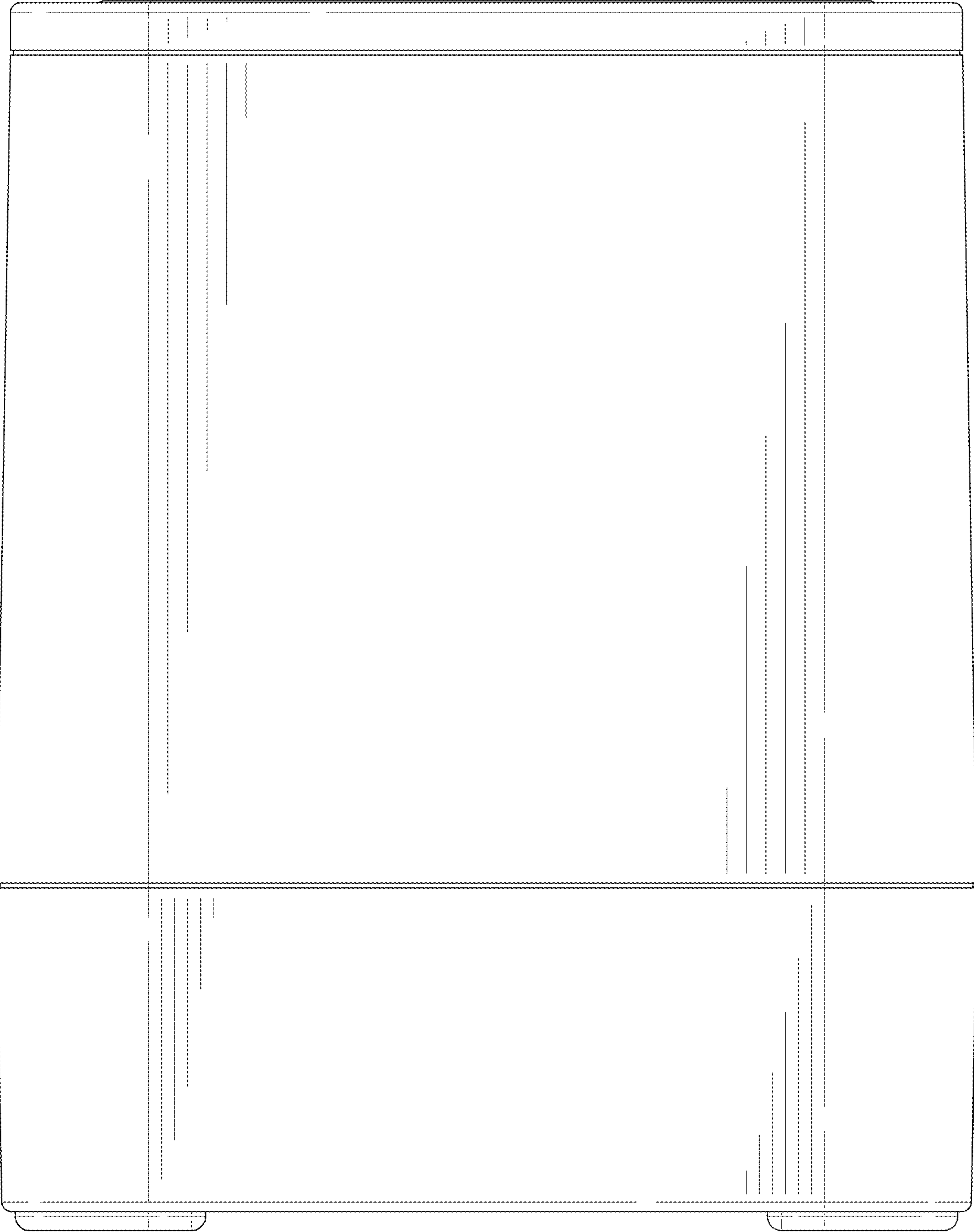


FIG. 5

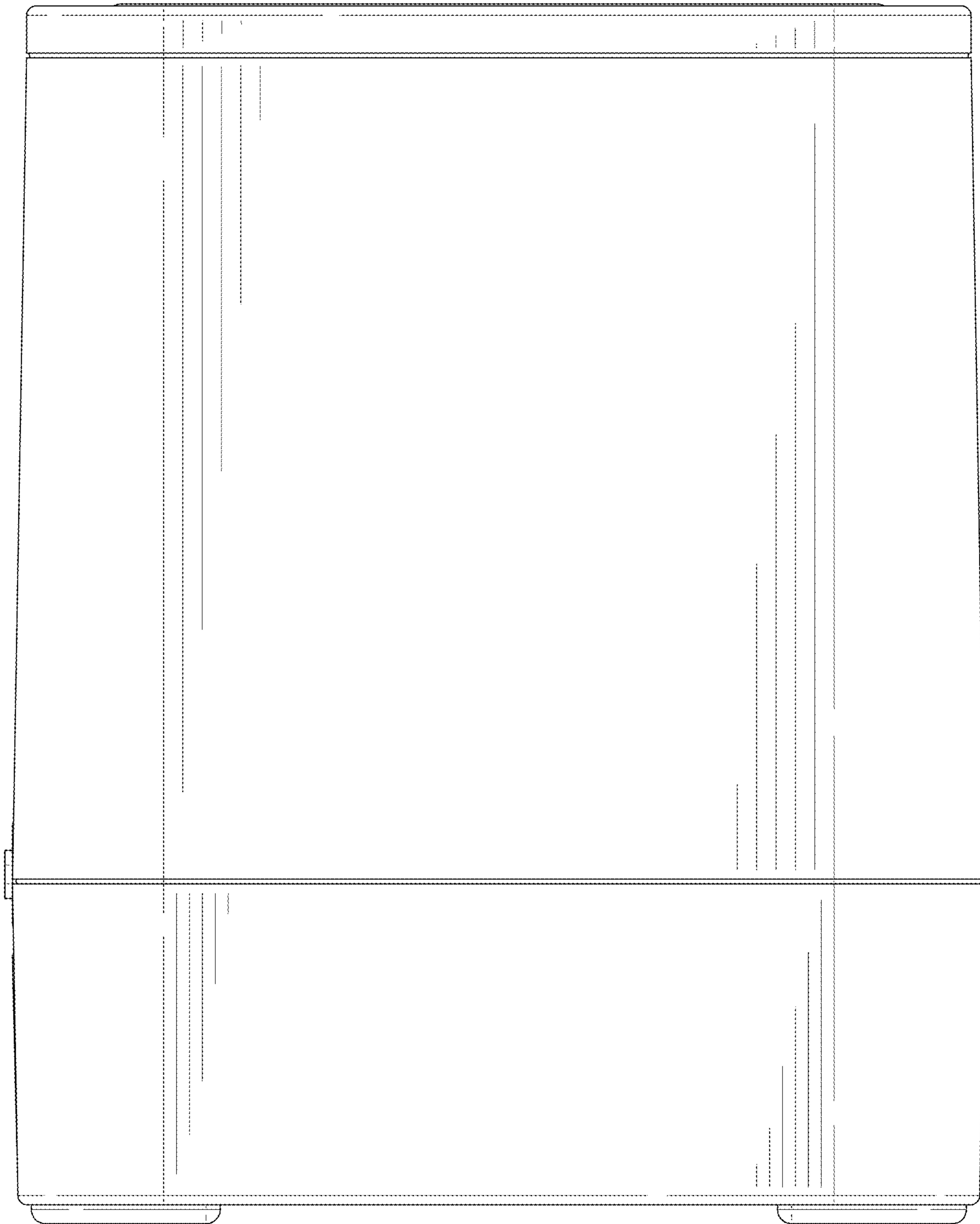


FIG. 6

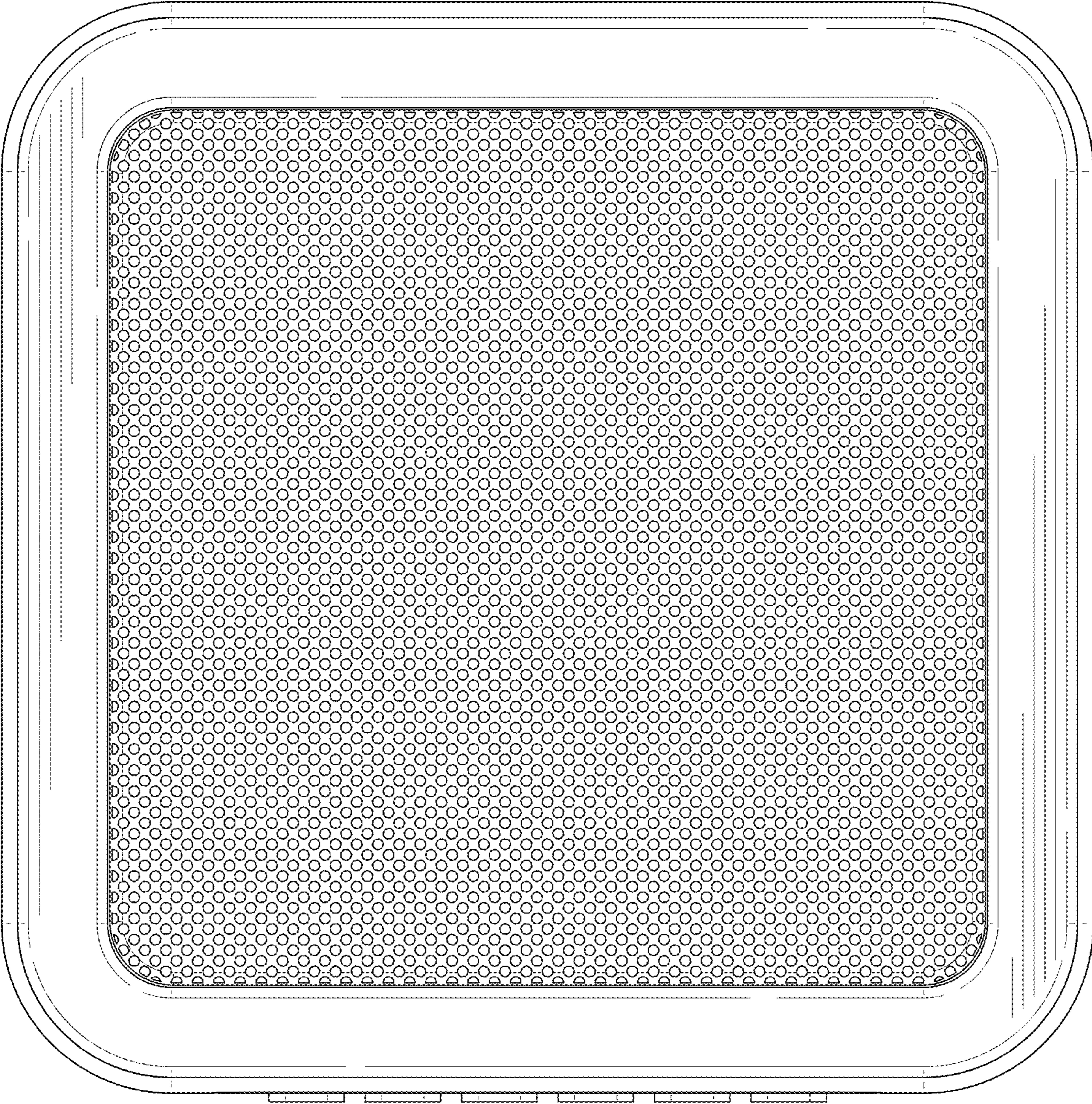


FIG. 7

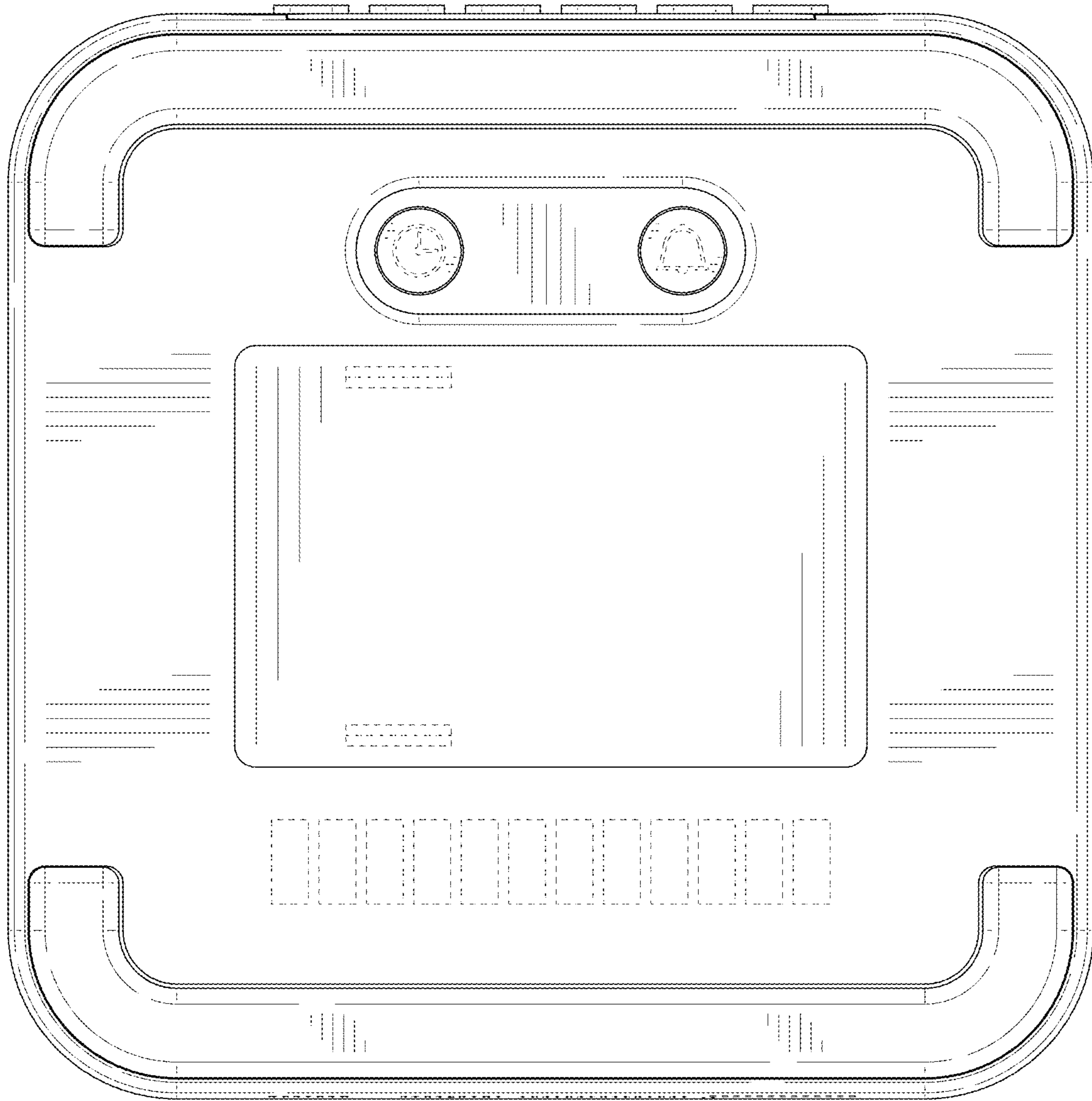


FIG. 8

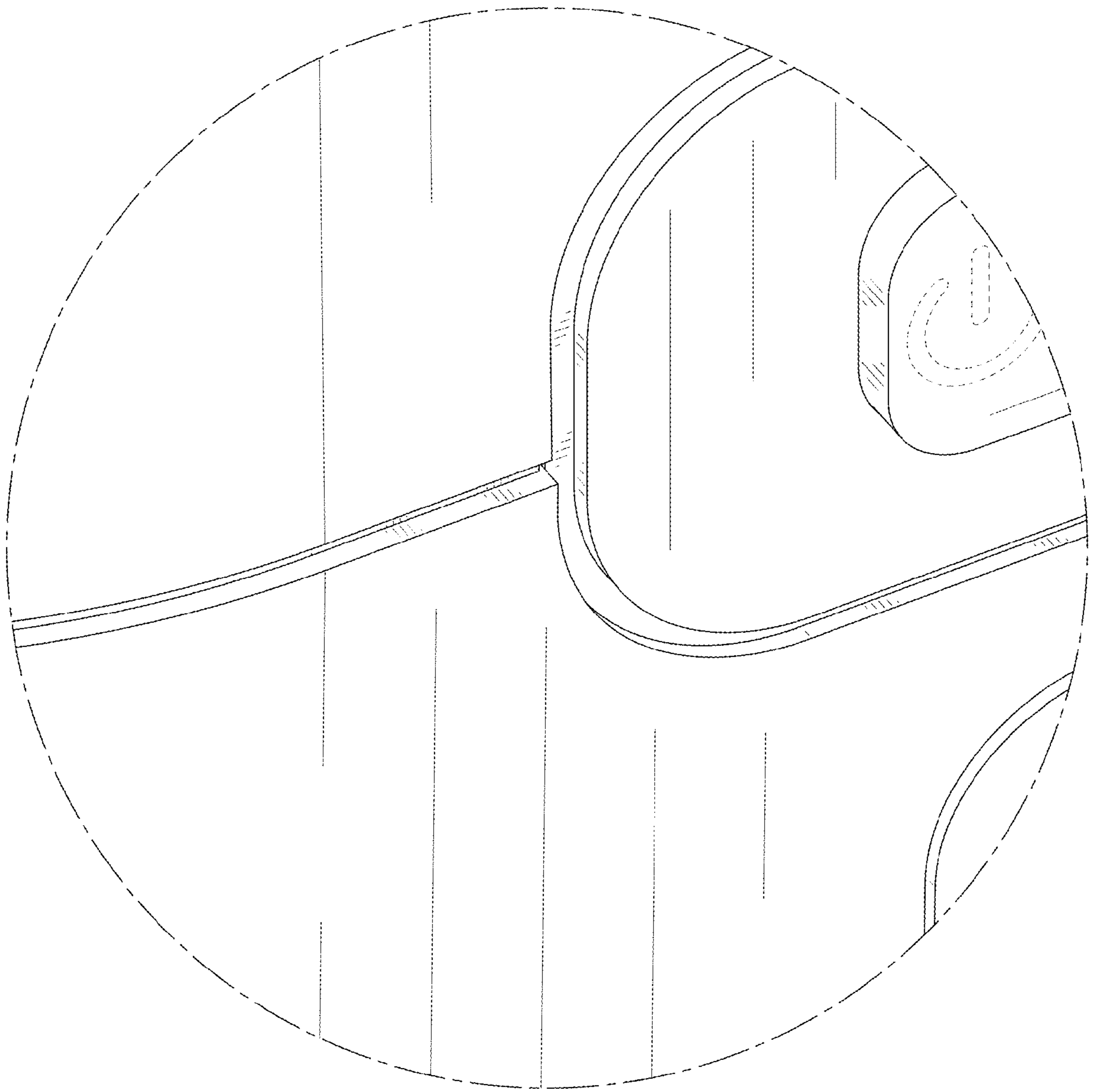


FIG. 9

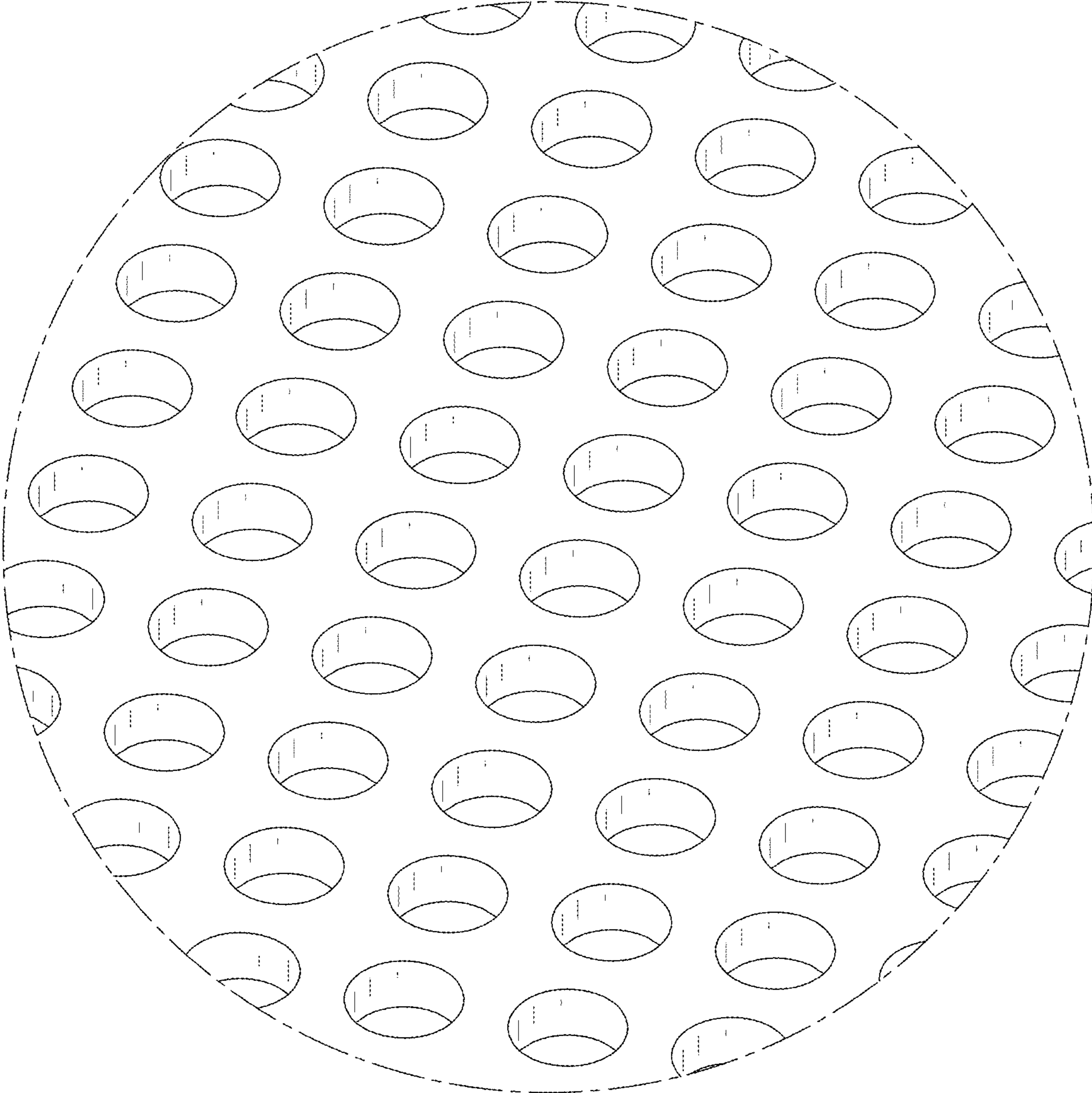


FIG. 10