



US00D986853S

(12) **United States Design Patent**
Jacobs

(10) **Patent No.:** **US D986,853 S**

(45) **Date of Patent:** **** May 23, 2023**

(54) **HEADPHONE**

(71) Applicant: **Skullcandy, Inc.**, Park City, UT (US)

(72) Inventor: **James Michael Jacobs**, Park City, UT (US)

(73) Assignee: **Skullcandy, Inc.**, Park City, UT (US)

(**) Term: **15 Years**

(21) Appl. No.: **29/789,140**

(22) Filed: **Sep. 2, 2021**

(51) **LOC (14) Cl.** **14-01**

(52) **U.S. Cl.**
USPC **D14/206**; D14/226

(58) **Field of Classification Search**
USPC D14/206, 205, 226; D29/112; 2/209;
381/380-381, 374-375
CPC H04R 25/00; H04R 25/02; H04R 1/1066;
H04R 1/1016; H04R 5/033; H04R
5/0335; H04R 1/02; H04R 1/105; H04R
1/08; H04R 1/1091
See application file for complete search history.

(56) **References Cited**

U.S. PATENT DOCUMENTS

- 2,437,049 A * 3/1948 Salisbury A61F 11/14
2/209
- 2,672,864 A 3/1954 Makara
- D235,210 S 5/1975 Hill
- 4,499,593 A 2/1985 Antle
- D292,205 S 10/1987 Kikutani
- 5,018,599 A 5/1991 Dohi et al.
- 5,068,923 A 12/1991 Sjoeqvist
- D323,327 S 1/1992 Davidson
- D326,456 S 5/1992 Hahn
- D328,074 S 7/1992 Yamazaki et al.
- 5,369,857 A * 12/1994 Sacherman H04R 5/0335
379/430
- D358,390 S * 5/1995 Hayashi D14/205

- D457,512 S 5/2002 Yoneda
- D458,597 S * 6/2002 Davies D14/206
- D465,469 S 11/2002 Heath
- 6,560,346 B2 * 5/2003 Ohta H04R 1/083
381/370

(Continued)

FOREIGN PATENT DOCUMENTS

- CN 305706786 * 4/2020
- CN 306794701 * 8/2021

(Continued)

OTHER PUBLICATIONS

Skullcandy Riff Over-Ear Headphones-Blue: Target 3 pages <https://www.target.com/p/skullcandy-riff-over-ear-headphones-blue/-/A75574498?ref=tgt...> (Year: 2019).

Primary Examiner — Paula Allen Greene

(74) *Attorney, Agent, or Firm* — TraskBritt

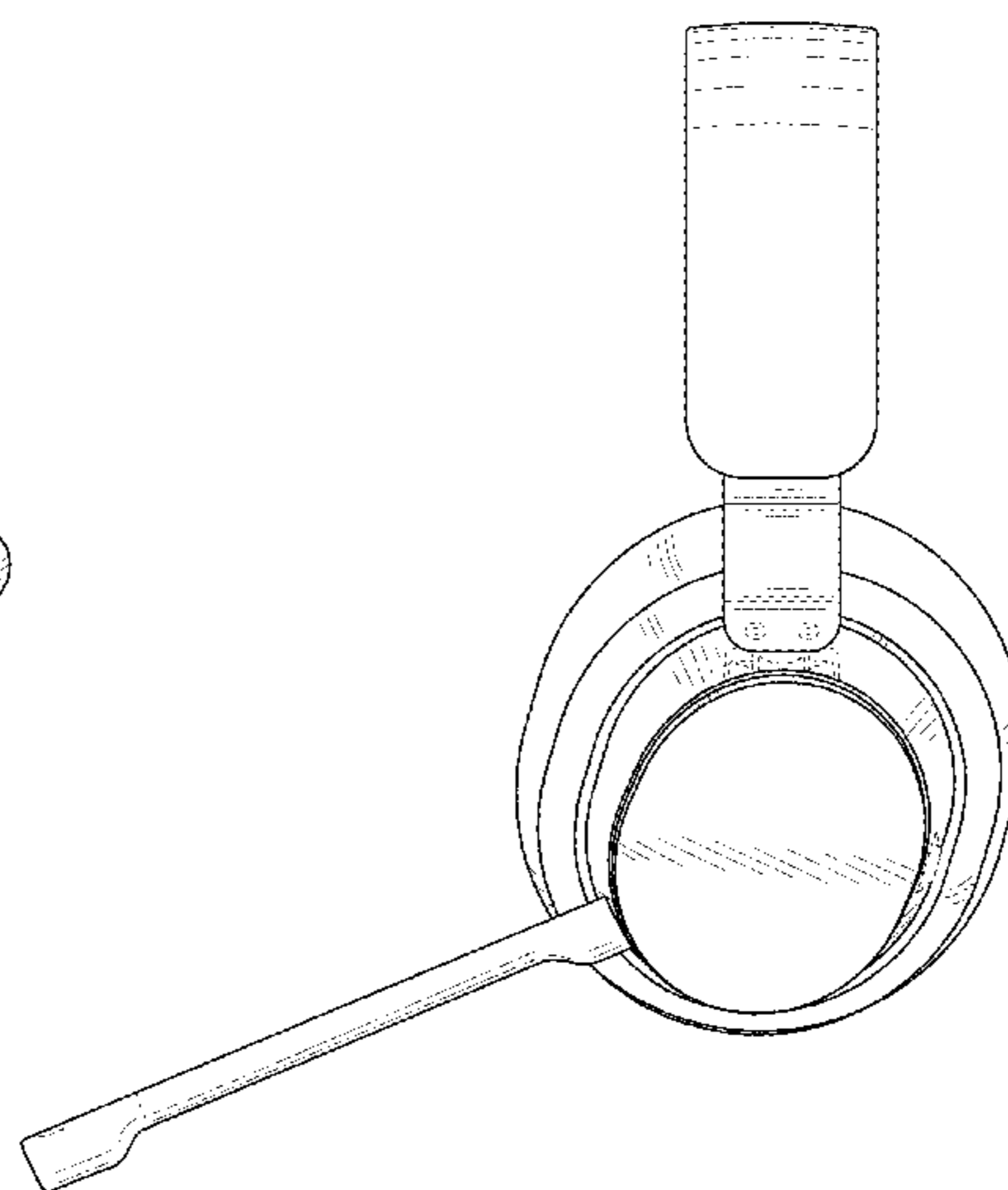
(57) **CLAIM**

The ornamental design for a headphone, as shown and described.

DESCRIPTION

FIG. 1 is a front perspective view of a headphone showing an embodiment of my new design; FIG. 2 is a left side view of the headphone shown in FIG. 1; FIG. 3 is a right side view of the headphone shown in FIG. 1; FIG. 4 is a front view of the headphone shown in FIG. 1; FIG. 5 is a rear side view of the headphone shown in FIG. 1; FIG. 6 is top view of the headphone shown in FIG. 1; and, FIG. 7 is bottom view of the headphone shown in FIG. 1. The broken lines in FIGS. 1-7 illustrate unclaimed subject matter and do not form any part of the claimed design.

1 Claim, 7 Drawing Sheets



(56)

References Cited

U.S. PATENT DOCUMENTS

6,625,293	B1 *	9/2003	Nageno	H04R 1/08 181/20	D740,256	S *	10/2015	Carr	D14/206
6,654,966	B2	12/2003	Rolla		D741,842	S *	10/2015	Levine	D14/226
D510,335	S	10/2005	Suzuki		D746,790	S	1/2016	Strasberg et al.	
6,980,666	B1 *	12/2005	Owen	H04R 5/033 381/381	D750,041	S *	2/2016	Birger	D14/205
6,993,143	B2	1/2006	Harris et al.		D757,680	S	5/2016	Kelly et al.	
7,106,873	B1 *	9/2006	Harrison	H04R 25/48 381/381	D758,337	S	6/2016	Szymanski	
D563,382	S	3/2008	Wikel		D765,055	S	8/2016	Hsieh et al.	
7,340,071	B2	3/2008	Huang		D782,999	S *	4/2017	Spio	D14/206
D567,215	S	4/2008	Lee		D787,469	S	5/2017	Djohar et al.	
D573,581	S *	7/2008	Gondo	D14/205	D787,470	S	5/2017	Kelly et al.	
D581,394	S	11/2008	Lee		9,706,281	B2 *	7/2017	Hernandez Vazquez	F16M 13/04
D585,871	S	2/2009	Lee		9,774,943	B1	9/2017	Weitzner	
D603,370	S	11/2009	Suzuki		D800,691	S *	10/2017	Ando	D14/205
D623,627	S	9/2010	Alden et al.		D805,055	S	12/2017	Kelly et al.	
D641,003	S	7/2011	Alden		D810,046	S *	2/2018	Dryden	D14/205
D642,554	S	8/2011	Schaal et al.		D820,813	S *	6/2018	Sharp	D14/206
D650,356	S	12/2011	Alden et al.		D840,370	S	2/2019	Kelly et al.	
8,085,966	B2	12/2011	Amsel		D843,345	S *	3/2019	Brunner	D14/205
8,098,872	B2	1/2012	Chang		D847,117	S *	4/2019	Summerson	D14/206
D660,823	S *	5/2012	Hardi	D14/205	10,250,966	B2	4/2019	Zheng et al.	
D660,824	S *	5/2012	Hardi	D14/205	D851,064	S *	6/2019	Wang	D14/206
D662,080	S *	6/2012	Carr	D14/205	D851,627	S	6/2019	Ter et al.	
D663,716	S *	7/2012	Hardi	D14/205	D854,513	S	7/2019	Miyake et al.	
D665,776	S	8/2012	Alden et al.		D856,303	S *	8/2019	Ando	D14/205
D665,777	S	8/2012	Alden et al.		D857,652	S *	8/2019	Wang	D14/205
8,295,529	B2 *	10/2012	Petersen	H04R 1/083 381/374	D859,353	S *	9/2019	Wagner	D14/205
D673,136	S *	12/2012	Kelly	D14/205	D864,155	S *	10/2019	Liu	D14/206
8,325,962	B2	12/2012	Ishida et al.		D864,903	S *	10/2019	Liu	D14/206
D673,524	S *	1/2013	Brennwald	D14/206	D868,731	S	12/2019	Jung	
D674,372	S	1/2013	Kelly et al.		D868,734	S *	12/2019	Wang	D14/206
D675,595	S *	2/2013	Cho	D14/205	D869,432	S	12/2019	Jung	
D677,241	S	3/2013	Kelly et al.		D870,069	S *	12/2019	Hu	D14/206
D677,243	S	3/2013	Kitayama et al.		D877,714	S *	3/2020	Dhondt	D14/205
D678,860	S *	3/2013	Hagelin	D14/205	D878,327	S *	3/2020	Dhondt	D14/205
D683,329	S *	5/2013	Hagelin	D14/205	D881,843	S *	4/2020	Hu	D14/206
D683,717	S	6/2013	Kelly et al.		D885,364	S *	5/2020	Paterson	D14/206
D684,145	S *	6/2013	Rath	D14/206	D895,570	S *	9/2020	Choi	D14/205
D684,559	S *	6/2013	Groset	D14/205	D906,282	S *	12/2020	Kelley	D14/206
D685,759	S	7/2013	Kelly et al.		D909,337	S *	2/2021	Liu	D14/206
D689,464	S	9/2013	Bonahoom et al.		D915,348	S *	4/2021	He	D14/206
D691,111	S *	10/2013	Lee	D14/206	D926,724	S *	8/2021	D'Ambrosio	D14/206
D691,113	S *	10/2013	Gougherty	D14/206	D928,116	S *	8/2021	Su	D14/206
D691,579	S *	10/2013	Lee	D14/205	D931,831	S *	9/2021	Liu	D14/206
D691,582	S	10/2013	Nguyen et al.		D935,440	S *	11/2021	Liu	D14/206
D693,793	S	11/2013	Kelly et al.		D937,805	S *	12/2021	Bellham	D14/205
D699,216	S	2/2014	Bonahoom et al.		D940,685	S *	1/2022	He	D14/206
D699,702	S *	2/2014	Chen	D14/205	D940,686	S *	1/2022	Yang	D14/206
D701,193	S	3/2014	Kelly et al.		D945,981	S *	3/2022	Rois	D14/205
D706,241	S *	6/2014	Szymanski	H04R 1/1066 D14/205	D960,127	S *	8/2022	Ahovi	D14/206
D706,244	S *	6/2014	Goransson	D14/225	D960,864	S *	8/2022	Ahovi	D14/206
D707,654	S	6/2014	Nguyen et al.		D968,367	S *	11/2022	Lindof	D14/206
8,767,996	B1	7/2014	Lin et al.		D972,530	S *	12/2022	Ahovi	D14/206
D713,375	S *	9/2014	Dedinas	D14/206	D973,631	S *	12/2022	Yook	D14/206
D713,376	S *	9/2014	Dedinas	D14/206	2001/0036291	A1 *	11/2001	Pallai	H04R 1/342 381/370
D716,762	S *	11/2014	Greve	D14/206	2005/0053255	A1	3/2005	Harris et al.	
D717,767	S *	11/2014	Mistry	D14/206	2005/0286717	A1 *	12/2005	Viduya	H04M 1/18 379/430
D719,136	S	12/2014	Schaal et al.		2010/0040252	A1 *	2/2010	Thompson	H04R 1/083 381/375
D721,052	S	1/2015	Carr et al.		2010/0310093	A1	12/2010	Semcken	
D721,055	S *	1/2015	Sparks	D14/206	2011/0002478	A1	1/2011	Pollard et al.	
D722,041	S *	2/2015	Sparks	D14/206	2014/0056459	A1	2/2014	Oishi et al.	
D722,998	S *	2/2015	Sancho	D14/205	2014/0126763	A1 *	5/2014	Yoo	A61F 11/14 381/371
D724,562	S *	3/2015	Sparks	D14/206	2017/0230745	A1 *	8/2017	Petersén	H04R 1/1008
D727,283	S	4/2015	Dryden et al.		2019/0289379	A1 *	9/2019	Wu	H04R 1/1008
D733,090	S *	6/2015	Petersen	D14/205	2019/0342664	A1 *	11/2019	Payne	H04R 1/1008
D733,092	S	6/2015	Gan		2020/0213703	A1 *	7/2020	Yoneyama	H04R 1/1008
D735,161	S *	7/2015	Sparks	D14/205	2020/0396532	A1 *	12/2020	Bui	H04R 1/1083
D735,691	S *	8/2015	Sparks	D14/205	2021/0260414	A1 *	8/2021	Mundy	H04R 1/1008
D737,799	S *	9/2015	Carr	D14/205					
D739,842	S *	9/2015	Birger	D14/205					

(56)

References Cited

U.S. PATENT DOCUMENTS

2022/0279267 A1* 9/2022 Johnson H04R 1/1008
2022/0312094 A1* 9/2022 Tang H04R 1/1091

FOREIGN PATENT DOCUMENTS

CN 306810322 * 9/2021
EM 005940541-0001 12/2018
GB 6230944 * 9/2022
GB 6230945 * 9/2022

* cited by examiner



FIG. 1

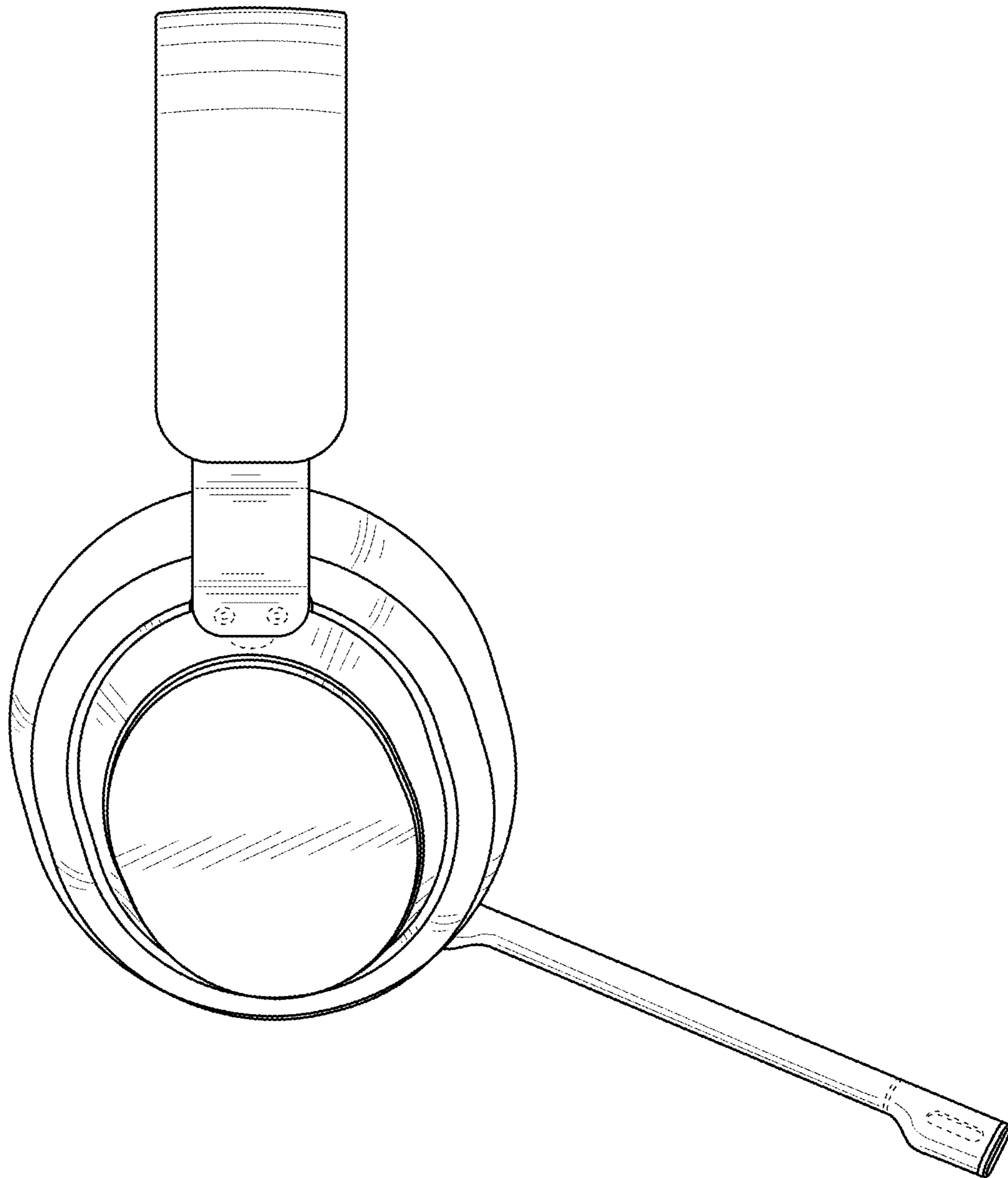


FIG. 2

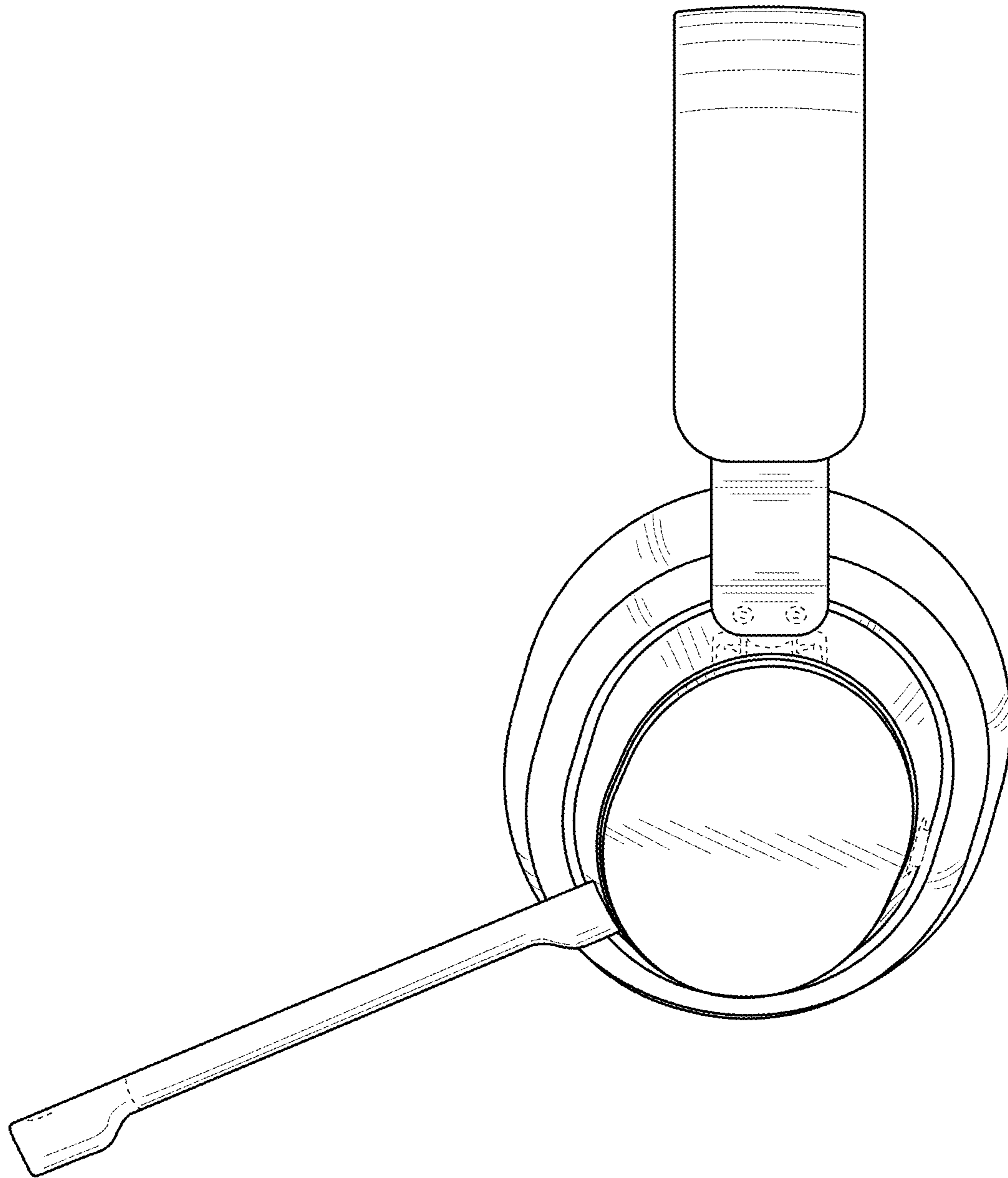


FIG. 3



FIG. 4



FIG. 5

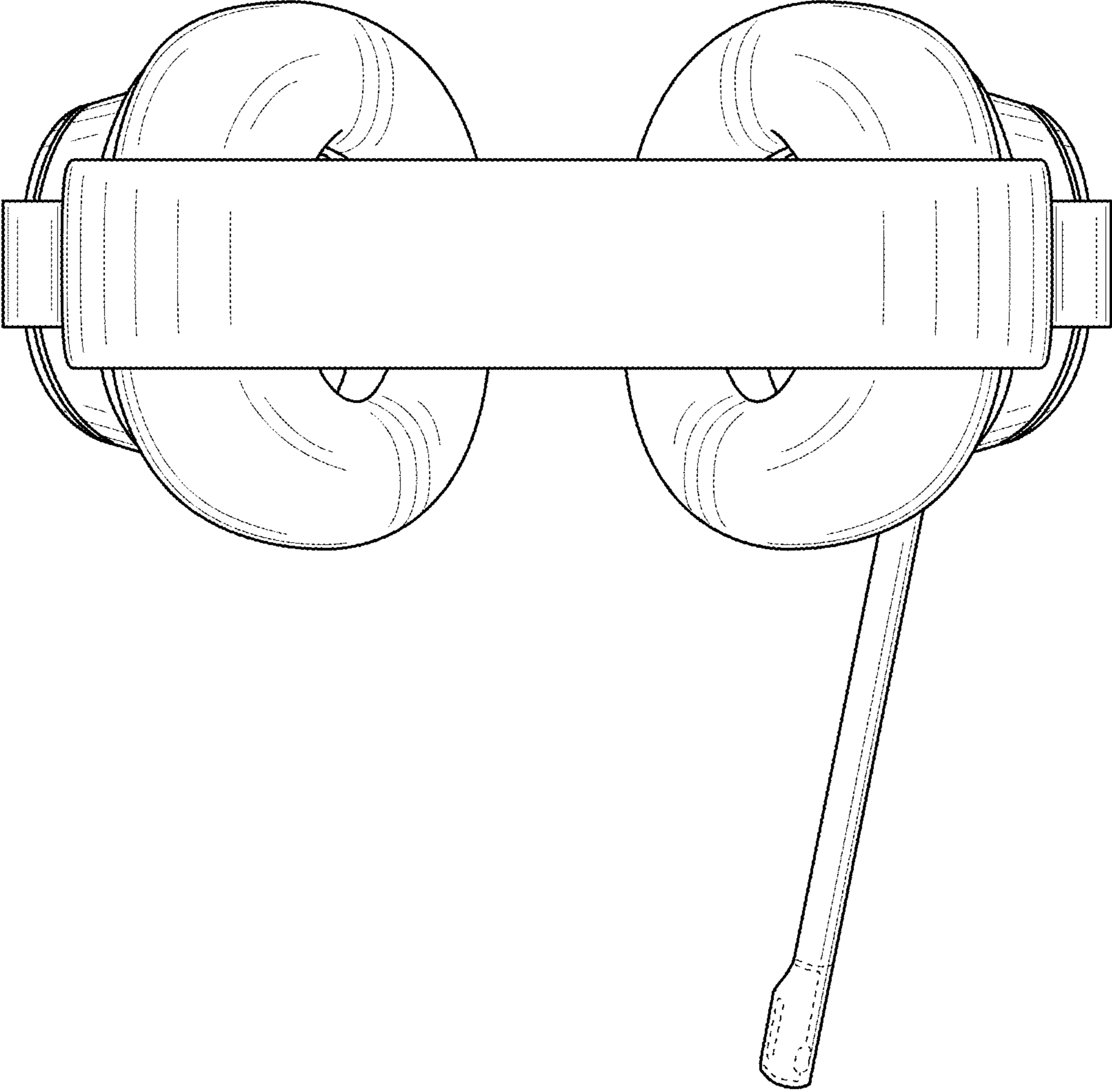


FIG. 6

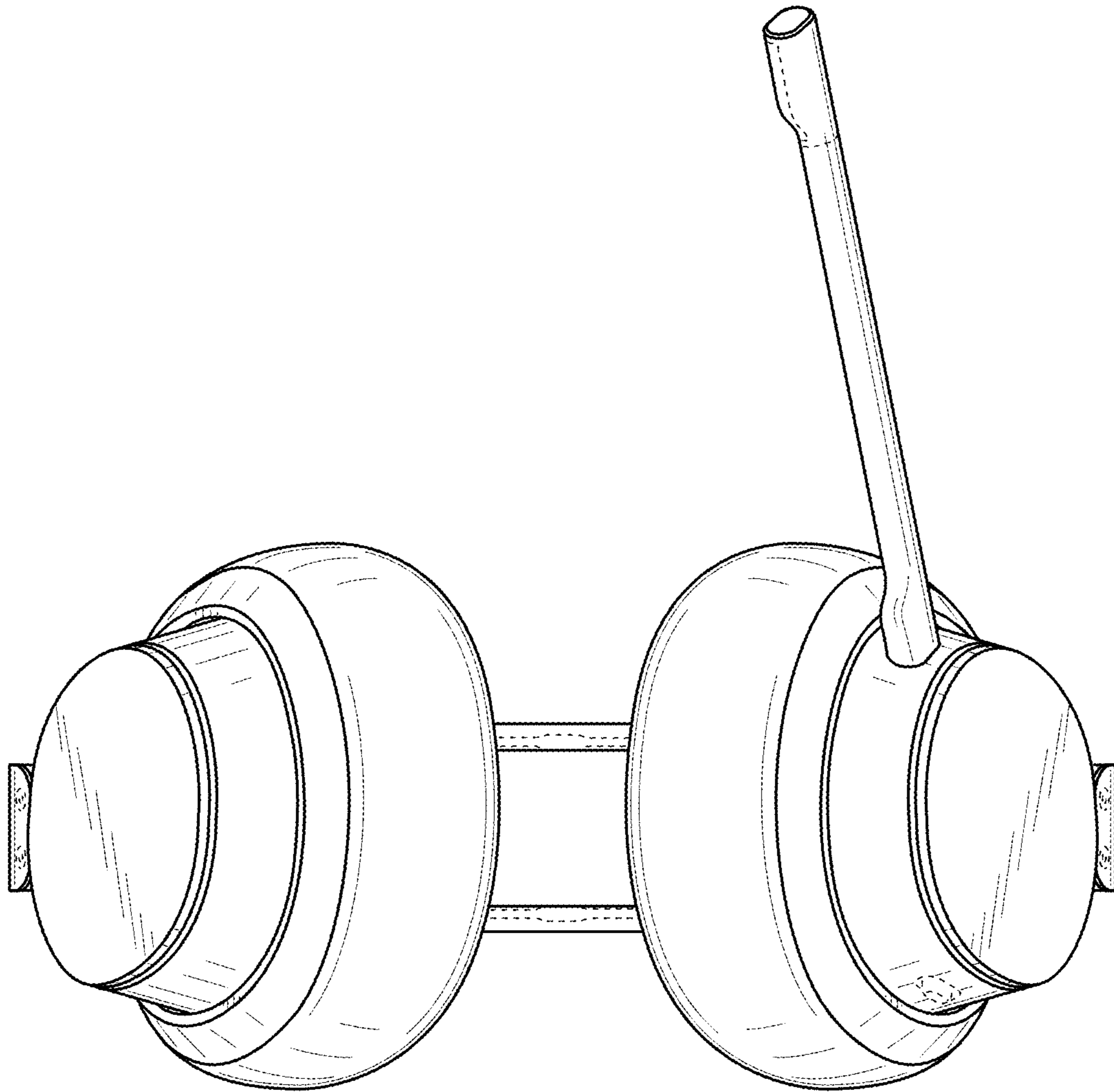


FIG. 7