



US00D986852S

(12) **United States Design Patent**
Batson et al.

(10) **Patent No.:** **US D986,852 S**
(45) **Date of Patent:** **** May 23, 2023**

(54) **HEADSET**

(71) Applicant: **GN Audio A/S**, Ballerup (DK)

(72) Inventors: **Kevin A. Batson**, Ballerup (DK);
William J. Blank, Jr., Ballerup (DK);
Brian J. Cole, Ballerup (DK); **Brian Collins**,
Ballerup (DK); **Chris Frederick**, Ballerup (DK);
Martin E. Granville, Ballerup (DK); **Benjamin Parker**,
Ballerup (DK); **Thomas F. Terrien, Jr.**, Ballerup (DK)

(73) Assignee: **GN AUDIO A/S**, Ballerup (DK)

(**) Term: **15 Years**

(21) Appl. No.: **29/771,794**

(22) Filed: **Feb. 25, 2021**

(51) **LOC (14) Cl.** **14-01**

(52) **U.S. Cl.**
USPC **D14/206**; D14/226

(58) **Field of Classification Search**
USPC D14/206, 205; D24/174; 128/864–866;
381/380–381, 370, 322, 330
CPC H04R 1/10; H04R 25/00; H04R 25/02;
H04R 1/1066; H04R 1/1016; H04R
5/033; H04R 19/04; H04R 1/1091; H04R
5/0335

See application file for complete search history.

(56) **References Cited**

U.S. PATENT DOCUMENTS

1,830,198 A * 11/1931 French H04R 25/656
181/135
6,560,346 B2 * 5/2003 Ohta H04R 1/083
381/370
7,089,042 B2 * 8/2006 Bodley H04M 1/05
381/370
D619,566 S * 7/2010 Yu D14/223

D628,188 S * 11/2010 Koch D14/205
D628,194 S * 11/2010 Koch D14/223
8,437,860 B1 * 5/2013 Crawford H04R 25/609
607/139
D699,215 S * 2/2014 Koch D14/205
D717,771 S * 11/2014 Harper D14/223
9,307,311 B2 * 4/2016 Tran H04R 1/1066
D784,290 S * 4/2017 Paterson D14/223
D784,291 S * 4/2017 Paterson D14/206
D797,076 S * 9/2017 Zhang D14/206
D800,692 S * 10/2017 Tan D14/206
D804,035 S * 11/2017 Gabathuler D24/174
D812,040 S * 3/2018 Yan D14/206

(Continued)

FOREIGN PATENT DOCUMENTS

CN 306182131 * 11/2020
CN 306824683 * 9/2021
GB 6158267 * 9/2021

Primary Examiner — Paula Allen Greene

(74) *Attorney, Agent, or Firm* — Hamre, Schumann,
Mueller & Larson, P.C.

(57) **CLAIM**

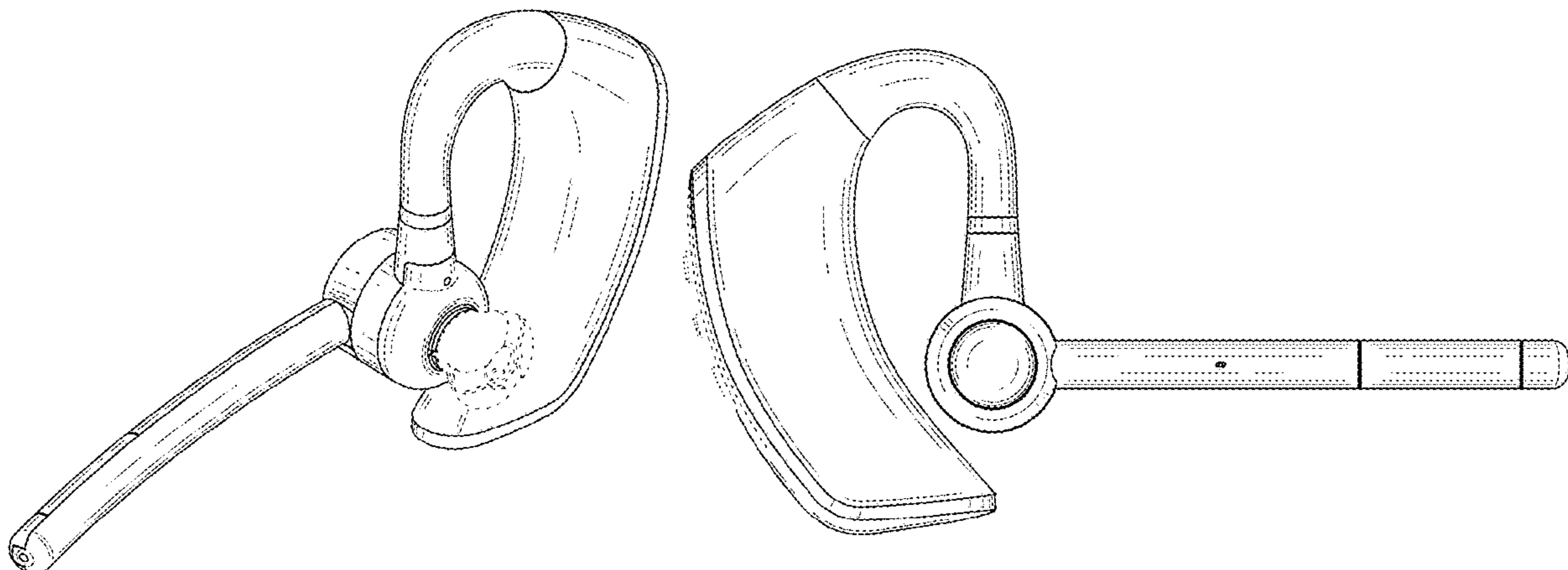
The ornamental design for headset, as shown and described.

DESCRIPTION

FIG. 1 is a top perspective view of a headset showing the new design;
FIG. 2 is a front view thereof;
FIG. 3 is a rear view thereof;
FIG. 4 is a left view thereof;
FIG. 5 is a right view thereof;
FIG. 6 is a top view thereof;
FIG. 7 is a bottom view thereof; and,
FIG. 8 is a left view thereof.

The broken lines adjacent the shaded areas represent the bounds of the claimed design while all other broken lines depict portions of the headset that form no part of the claimed design.

1 Claim, 5 Drawing Sheets



(56)

References Cited

U.S. PATENT DOCUMENTS

D830,338	S	*	10/2018	Yan	D14/206
D836,599	S	*	12/2018	Duan	D14/206
D838,688	S	*	1/2019	Liu	D14/206
D855,036	S	*	7/2019	Yan	D14/206
D863,254	S	*	10/2019	Hu	D14/206
D872,707	S	*	1/2020	Liu	D14/206
D879,068	S	*	3/2020	Yan	D14/206
D883,951	S	*	5/2020	Yan	D14/206
D900,784	S	*	11/2020	Yan	D14/206
D903,634	S	*	12/2020	Lu	D14/206
D915,347	S	*	4/2021	Duan	D14/206
D916,049	S	*	4/2021	Xu	D14/206
D924,201	S	*	7/2021	Yan	D14/206
D926,152	S	*	7/2021	Yan	D14/206
D926,153	S	*	7/2021	Yan	D14/206
D929,968	S	*	9/2021	Yan	D14/223
D947,812	S	*	4/2022	Dai	D14/206
D962,195	S	*	8/2022	Liang	D14/206
D965,556	S	*	10/2022	Lu	D14/206
2004/0062410	A1	*	4/2004	Wagner	H04R 25/65 381/322
2005/0008178	A1	*	1/2005	Joergensen	H01H 13/702 381/322
2005/0259812	A1	*	11/2005	Chen	H04M 1/05 379/431
2010/0290655	A1	*	11/2010	Takeda	H04R 25/602 381/323
2017/0339498	A1	*	11/2017	Vandyke	H04R 1/08

* cited by examiner

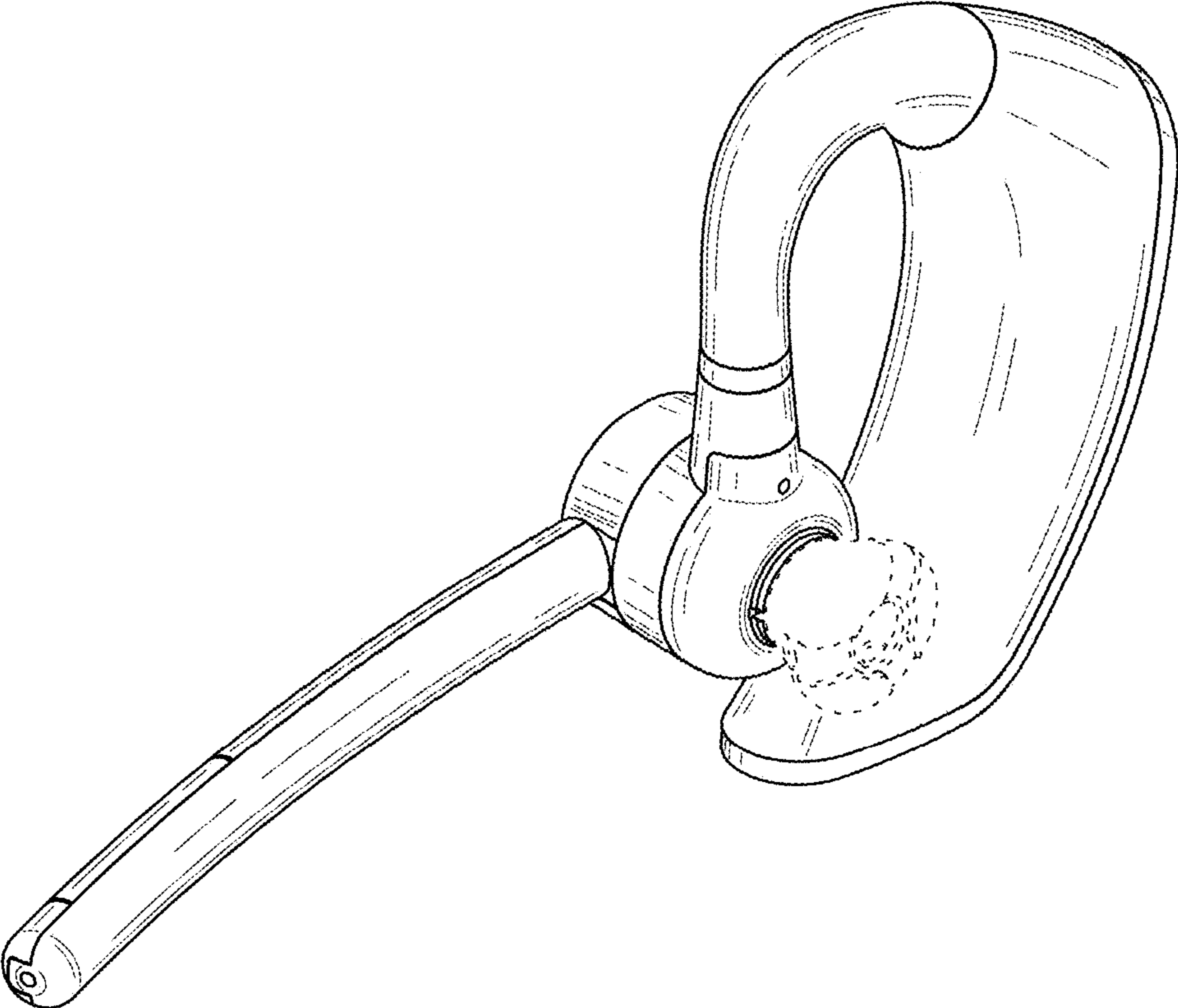


FIG. 1

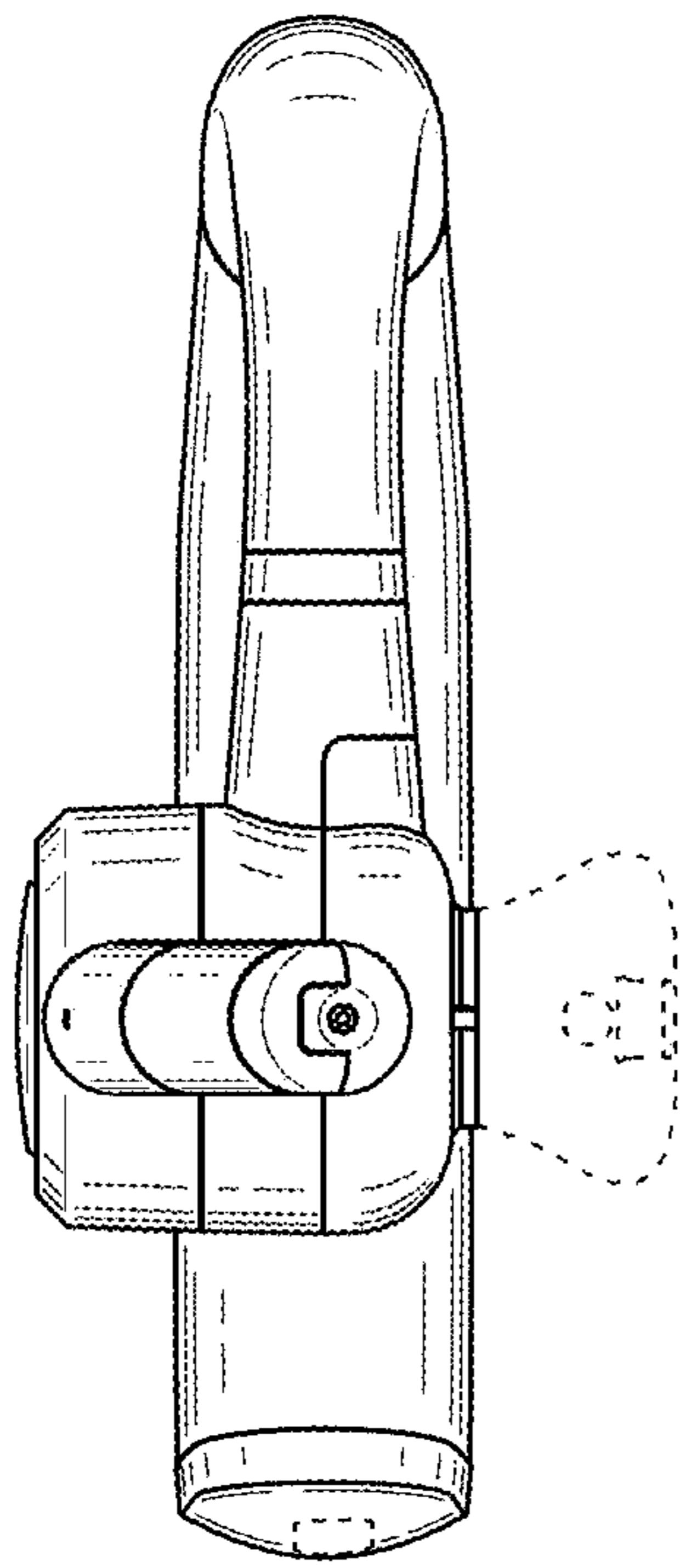


FIG. 2

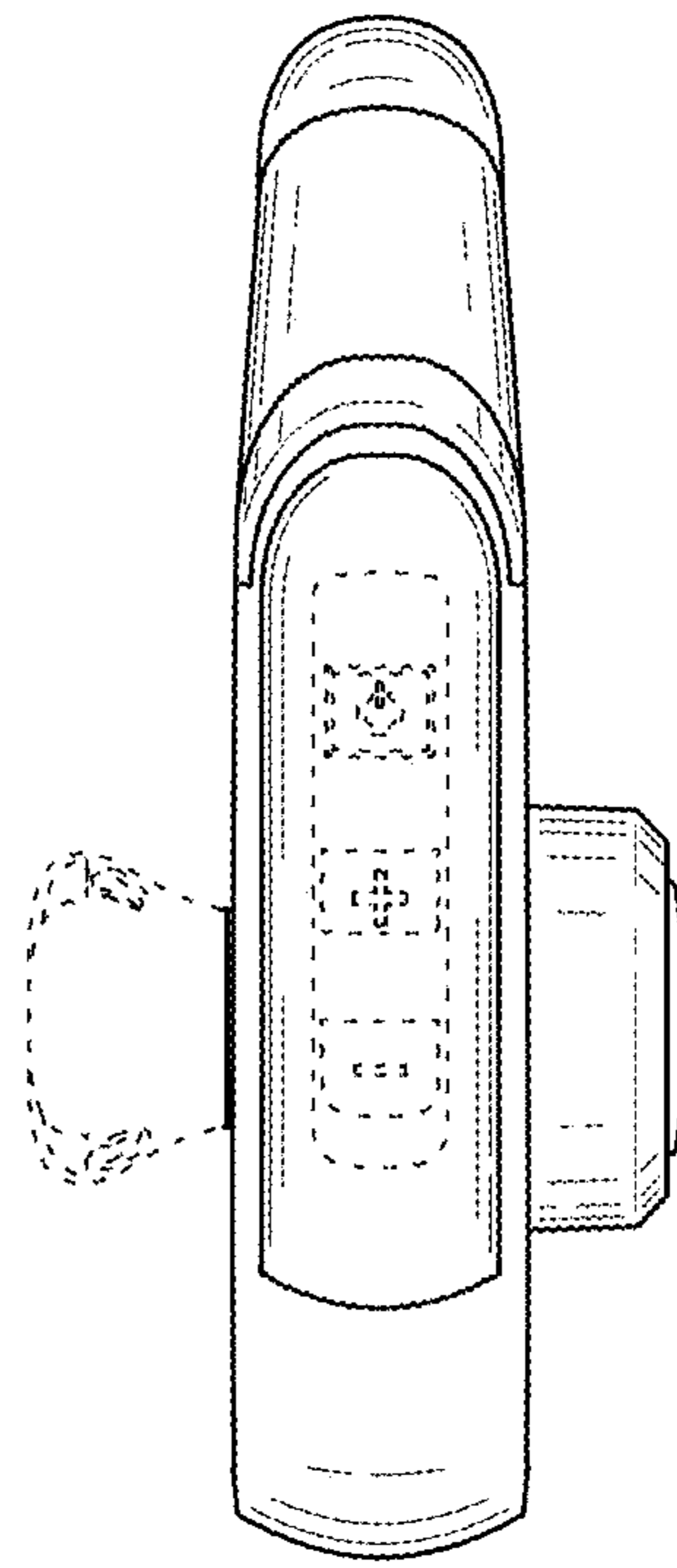


FIG. 3

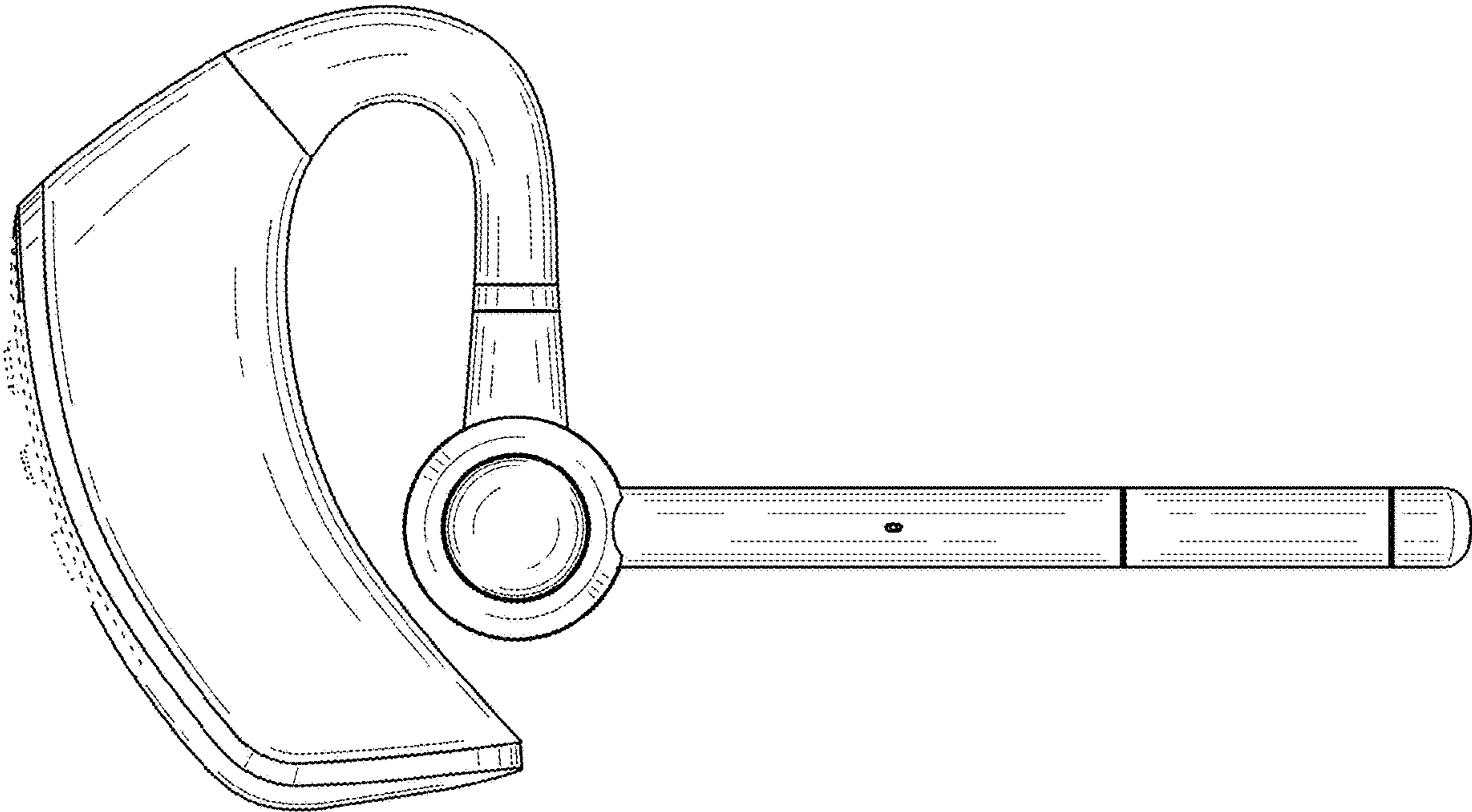


FIG. 4

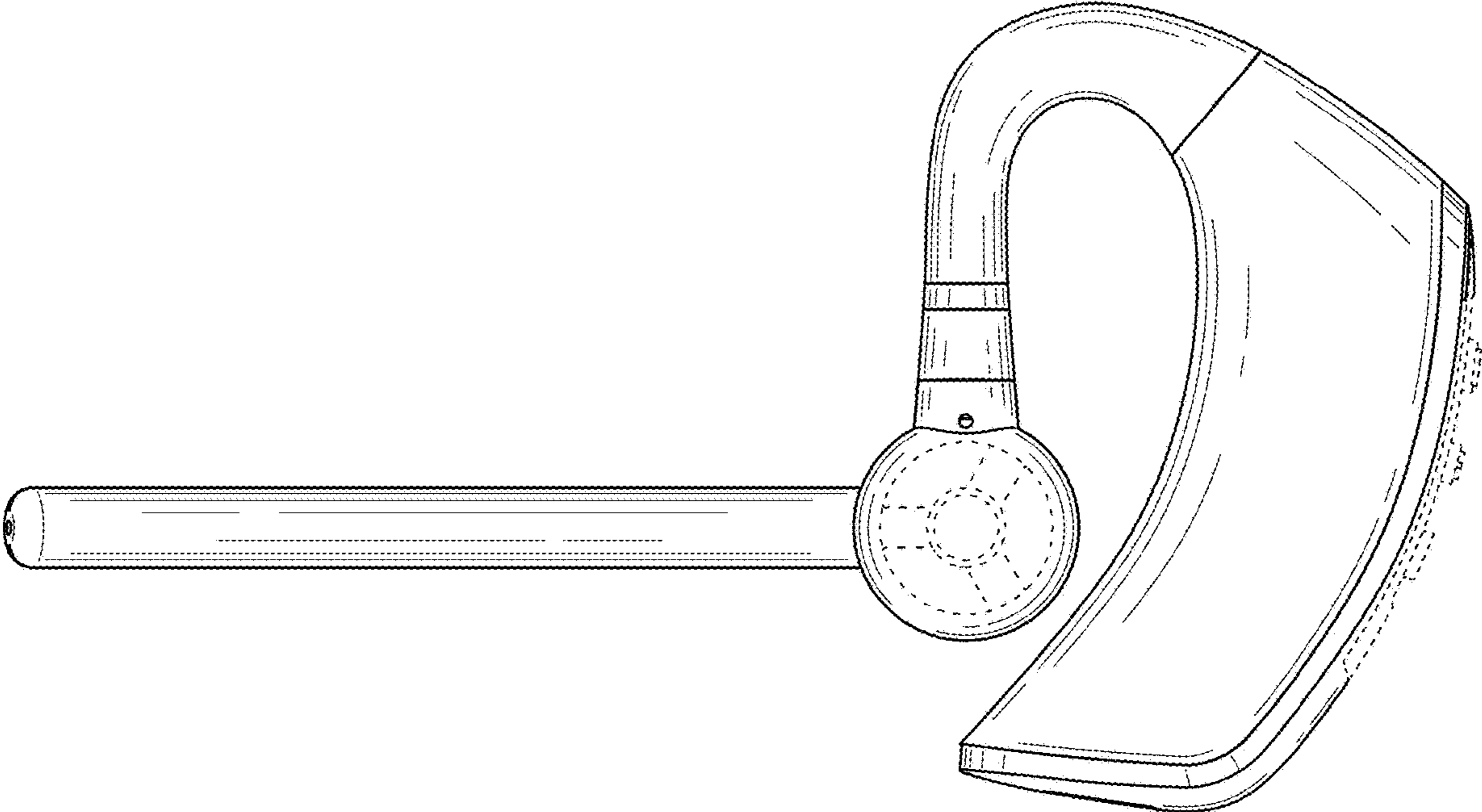


FIG. 5

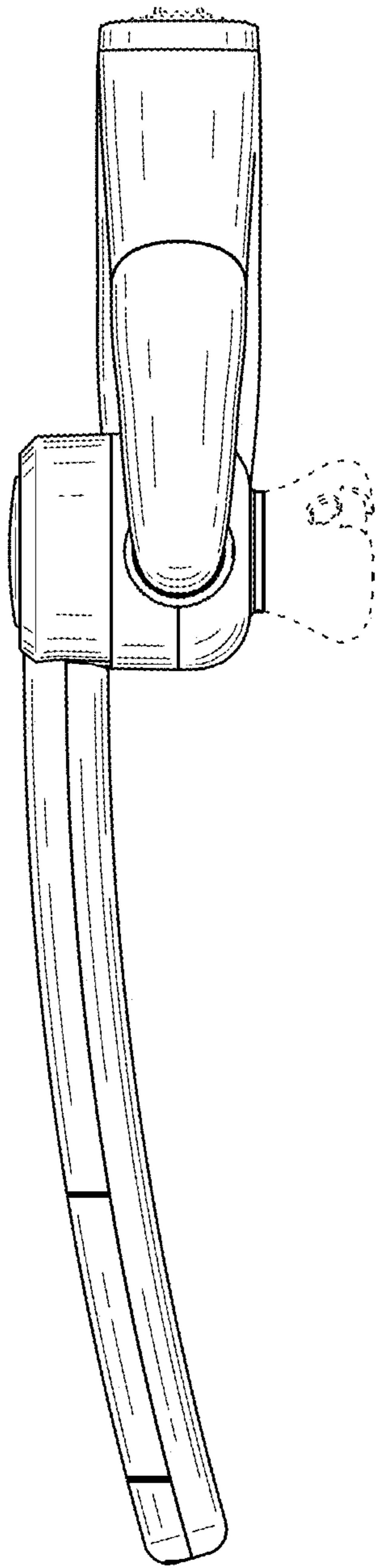


FIG. 6

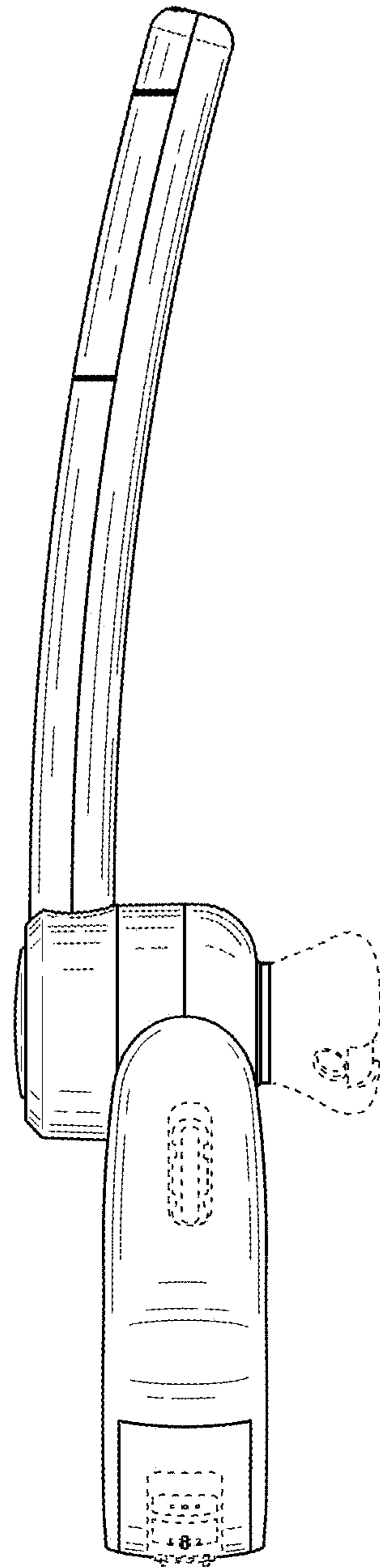


FIG. 7

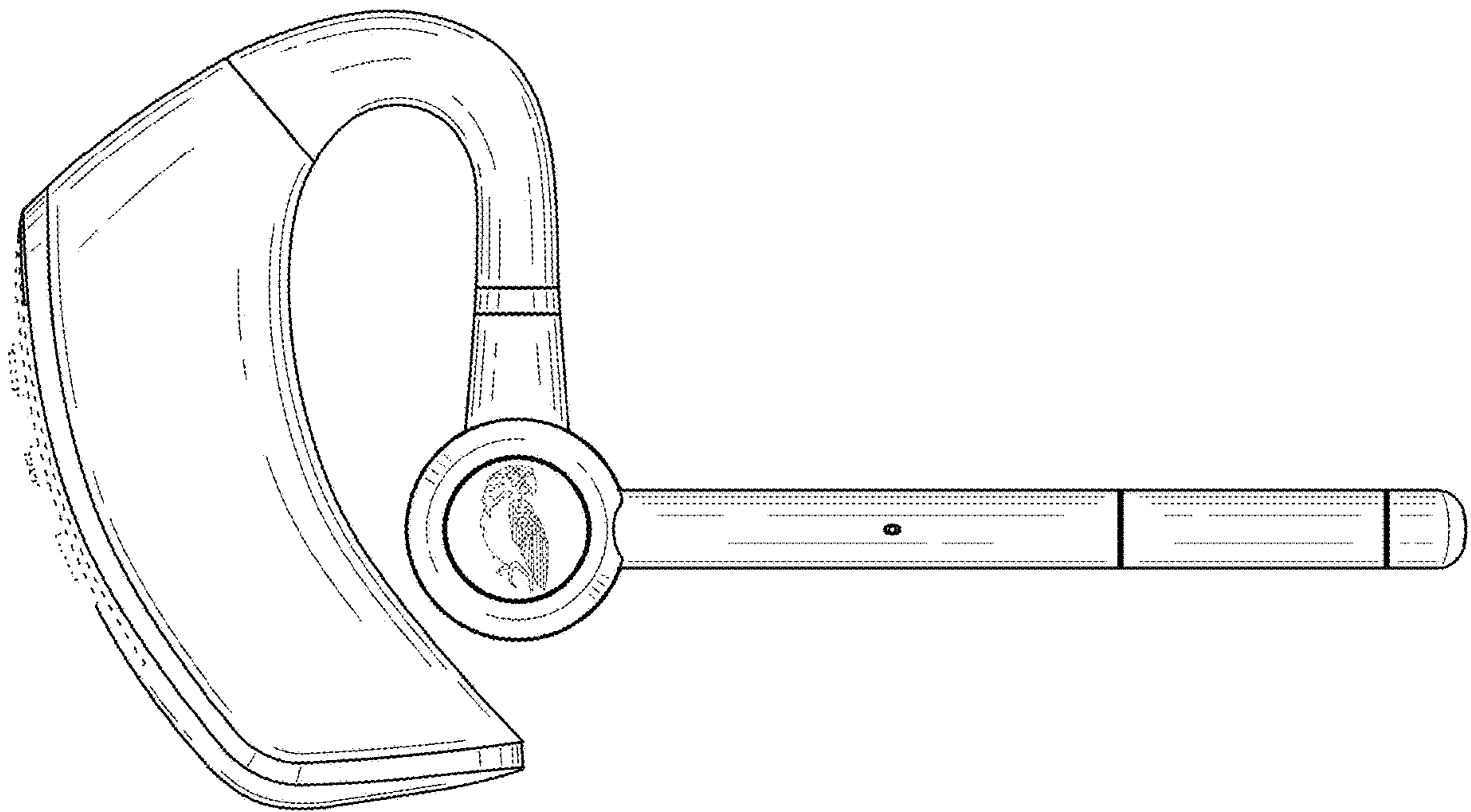


FIG. 8