



US00D986851S

(12) **United States Design Patent**
Chen

(10) **Patent No.:** **US D986,851 S**
(45) **Date of Patent:** **** May 23, 2023**

- (54) **WIRELESS HEADPHONE**
- (71) Applicant: **HONG KONG JUYAN TECHNOLOGY CO., LIMITED,**
Hong Kong (CN)
- (72) Inventor: **Mansheng Chen, Jieyang (CN)**
- (73) Assignee: **HONG KONG JUYAN TECHNOLOGY CO., LIMITED,**
Hong Kong (HK)
- (**) Term: **15 Years**
- (21) Appl. No.: **29/870,637**
- (22) Filed: **Feb. 1, 2023**
- (51) **LOC (14) Cl.** **14-01**
- (52) **U.S. Cl.**
USPC **D14/205**
- (58) **Field of Classification Search**
USPC D14/205, 188, 192; D29/112; 2/209;
381/380-381, 371, 374, 384
CPC H04R 25/00; H04R 25/02; H04R 1/10;
H04R 1/1066; H04R 1/1016; H04R
5/033; H04R 5/0335; H04R 1/105; H04R
1/1058; H04R 1/1083; H04R 1/1041;
H04R 1/1091
See application file for complete search history.

- 7,072,483 B2 * 7/2006 Lenhard-Backhaus
H04R 1/1066
381/370
- 7,388,960 B2 * 6/2008 Kuo H04R 5/02
381/384
- D632,668 S * 2/2011 Brunner D14/205
- D657,344 S * 4/2012 Brunner D14/205
- D660,823 S * 5/2012 Hardi D14/205
- D660,824 S * 5/2012 Hardi D14/205
- D663,716 S * 7/2012 Hardi D14/205

(Continued)

FOREIGN PATENT DOCUMENTS

- CN 305391231 * 10/2019
- EM 006597175-0001 * 6/2019

(Continued)

Primary Examiner — Paula Allen Greene
(74) *Attorney, Agent, or Firm* — Nitin Kaushik

(57) **CLAIM**

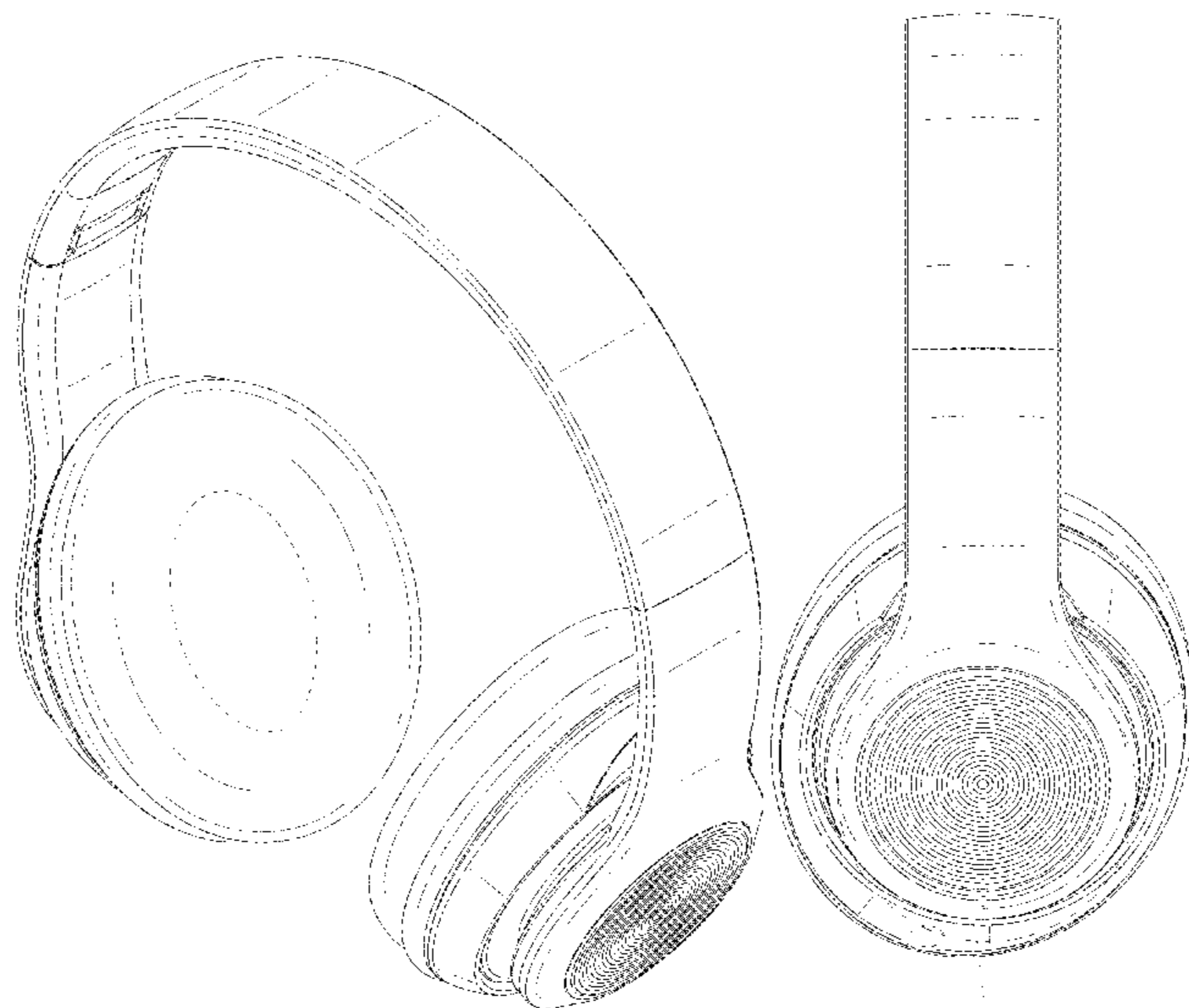
The ornamental design for a wireless headphone, as shown and described.

DESCRIPTION

FIG. 1 is a front perspective view of a wireless headphone, showing my new design;
 FIG. 2 is a front view thereof;
 FIG. 3 is a rear view thereof;
 FIG. 4 is a left side view thereof;
 FIG. 5 is a right side view thereof;
 FIG. 6 is a top view thereof;
 FIG. 7 is a bottom view thereof;
 FIG. 8 is a partial enlarged view of FIG. 2; and,
 FIG. 9 is a partial enlarged view of FIG. 4.
 The broken lines in the drawings illustrate the portions of the wireless headphone, which form no part of the claimed design.
 The dot dash broken lines encircling portions of the wireless headphone in FIGS. 2 and 4 and illustrated in the enlarged views of FIGS. 8 and 9 form no part of the claimed design.

1 Claim, 9 Drawing Sheets

- (56) **References Cited**
U.S. PATENT DOCUMENTS
- 2,510,344 A * 6/1950 Law G03B 21/625
359/457
- 2,875,543 A * 3/1959 Sylvester B44F 1/00
264/293
- 2,958,148 A * 11/1960 Sylvester B44F 3/00
264/293
- 5,109,424 A * 4/1992 Andre H04R 1/1008
381/384



(56)

References Cited

U.S. PATENT DOCUMENTS

8,213,662 B2 * 7/2012 Ishida H04R 1/1008
 381/345
 D673,136 S * 12/2012 Kelly D14/205
 D691,984 S * 10/2013 Wang D14/205
 D699,702 S * 2/2014 Chen D14/205
 D727,280 S * 4/2015 Levine D14/205
 D727,281 S * 4/2015 Levine D14/205
 D731,457 S * 6/2015 Brunner D14/205
 D732,000 S * 6/2015 Brunner D14/205
 D736,174 S * 8/2015 Levine D14/205
 D736,175 S * 8/2015 Levine D14/205
 D738,350 S * 9/2015 Brunner D14/205
 D765,055 S * 8/2016 Hsieh D14/205
 D781,265 S * 3/2017 Levine D14/205
 D786,824 S * 5/2017 Hembrey D14/205
 D811,364 S * 2/2018 Park D14/205
 10,178,463 B2 * 1/2019 Smiechowski H04R 1/105
 D845,345 S * 4/2019 Butcher D14/492
 D852,776 S * 7/2019 Zhu D14/205
 D858,483 S * 9/2019 Hu D14/205
 D871,367 S * 12/2019 Zhijun D14/205
 D879,741 S * 3/2020 Hu D14/205
 D879,742 S * 3/2020 Hu D14/205
 D880,449 S * 4/2020 Hu D14/205
 D881,157 S * 4/2020 Chen D14/205
 D886,078 S * 6/2020 He D14/206
 D888,008 S * 6/2020 Yook D14/205
 D889,432 S * 7/2020 Brunner D14/205
 D893,452 S * 8/2020 Yook D14/205
 D904,339 S * 12/2020 Wang D14/205

D904,341 S * 12/2020 He D14/206
 D910,592 S * 2/2021 Luo D14/205
 D925,489 S * 7/2021 Brunner D14/205
 D954,021 S 6/2022 He et al.
 D964,960 S * 9/2022 Wang D14/205
 D966,229 S * 10/2022 Liu D14/205
 D967,054 S * 10/2022 Chen D14/205
 D968,355 S * 11/2022 Wu D14/205
 2008/0069391 A1 * 3/2008 Steyn H04R 1/1091
 381/371
 2009/0110226 A1 * 4/2009 Ishida H04R 1/1008
 381/370
 2013/0343591 A1 * 12/2013 Brunner H04R 1/1066
 381/371
 2015/0117693 A1 * 4/2015 Akino H04R 1/1058
 381/370
 2017/0064436 A1 * 3/2017 Tamura H04R 1/1066

FOREIGN PATENT DOCUMENTS

EM 006643714-0001 * 7/2019
 EM 006657276-0001 * 7/2019
 EM 007466180-0001 * 12/2019
 EM 008276273-0001 * 11/2020
 GB 9006182507-0001 * 2/2019
 GB 9007307475-0002 * 11/2019
 GB 9008319404-0001 * 12/2020
 GB 6175500 * 11/2021
 GB 6237969 * 10/2022
 IN 326057-001-0001 * 1/2020
 JP D1530467 * 7/2015
 TW 164751-0001 * 1/2014

* cited by examiner

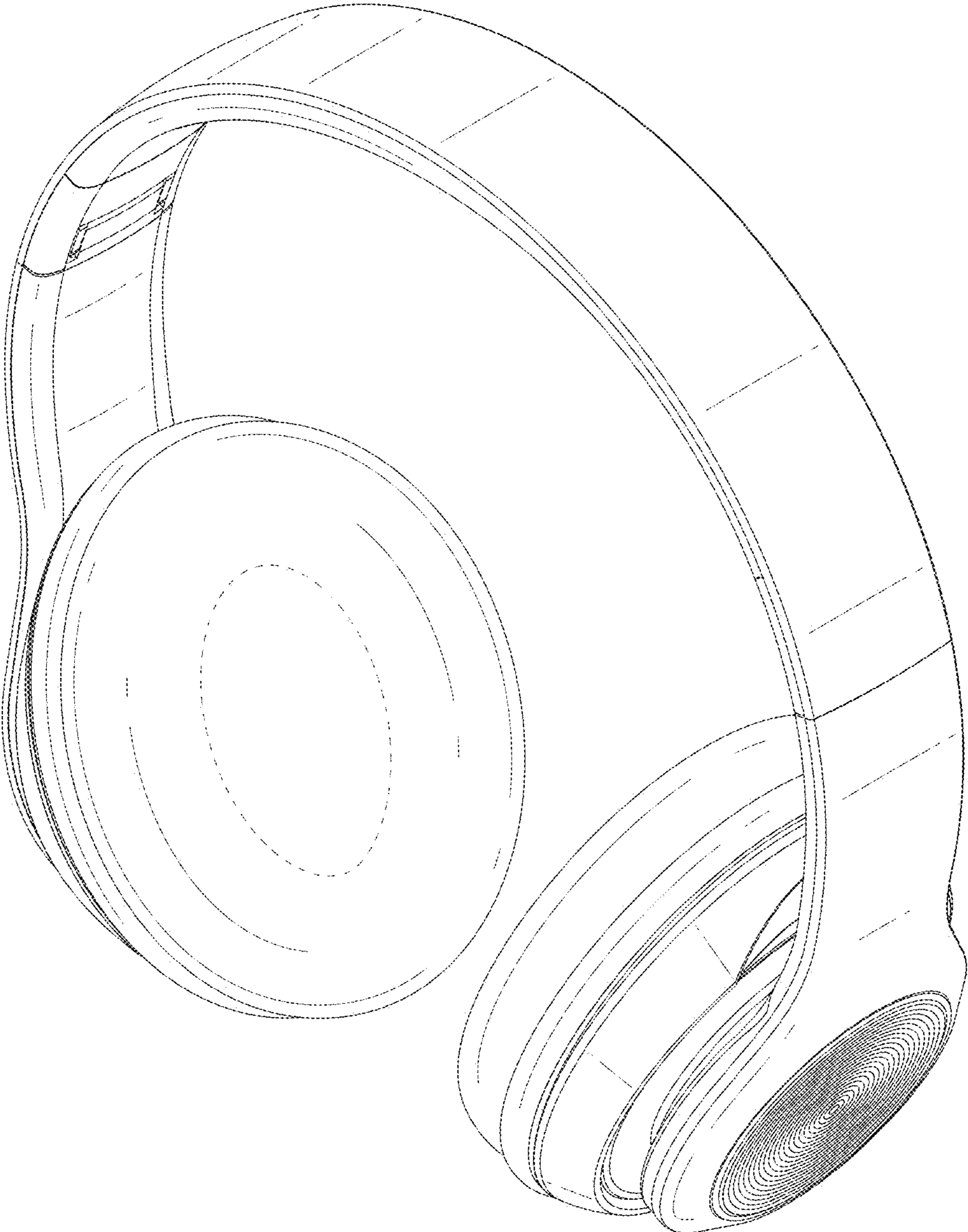


FIG. 1



FIG. 2



FIG. 3

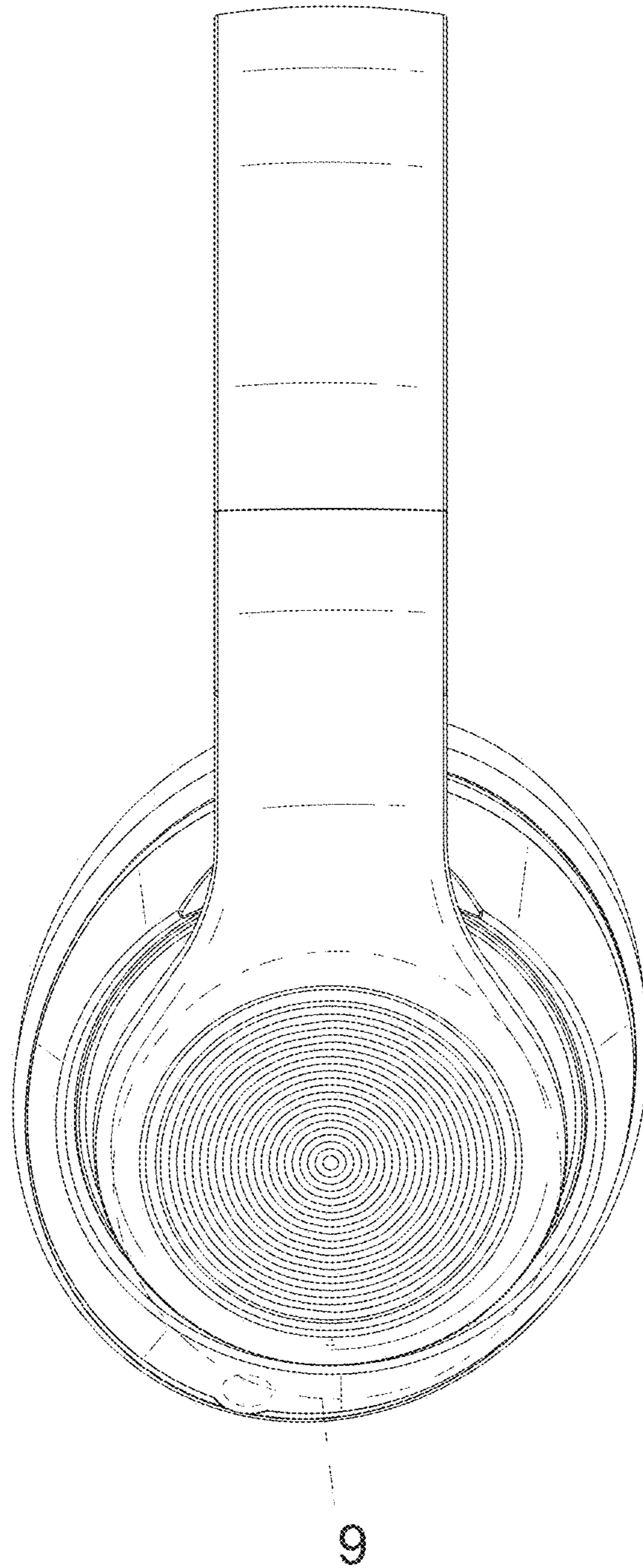


FIG. 4

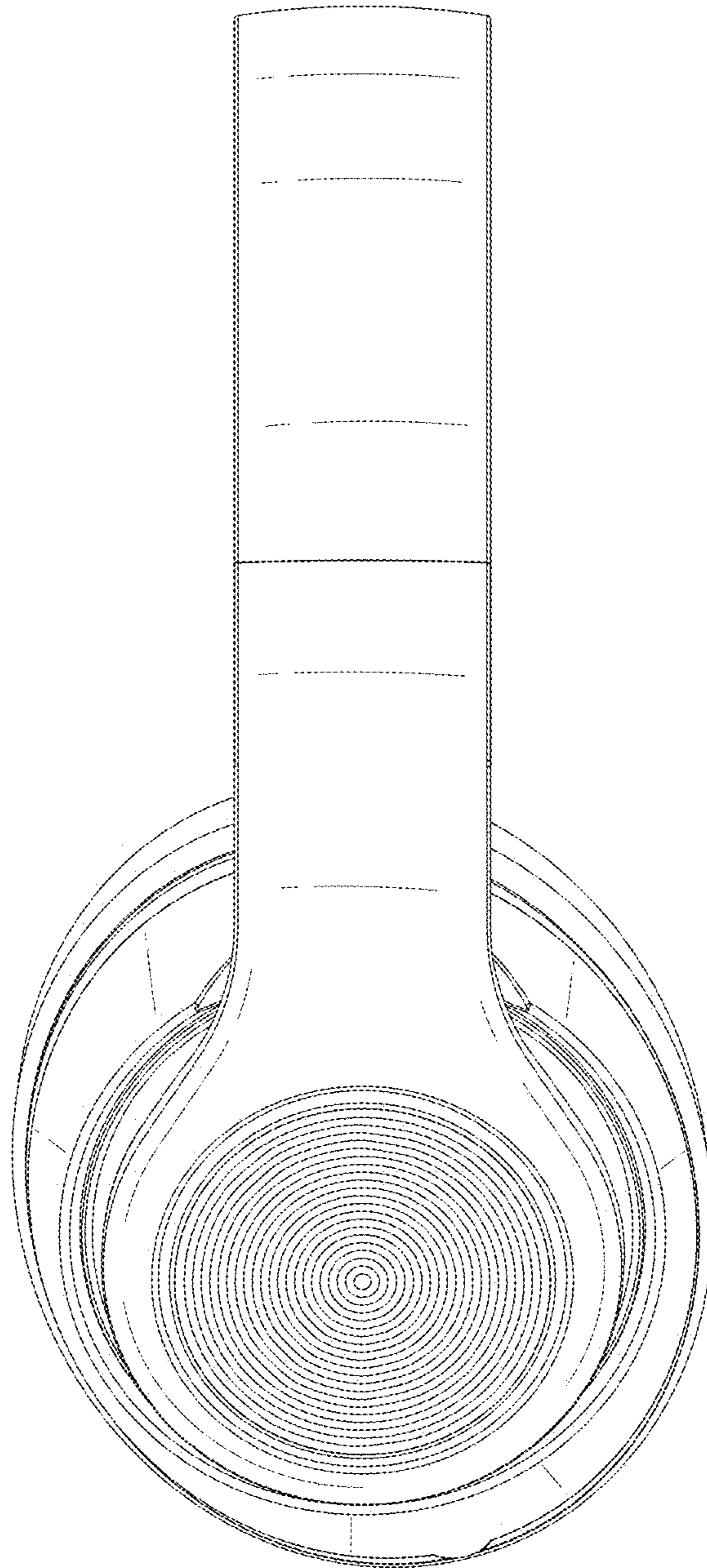


FIG. 5

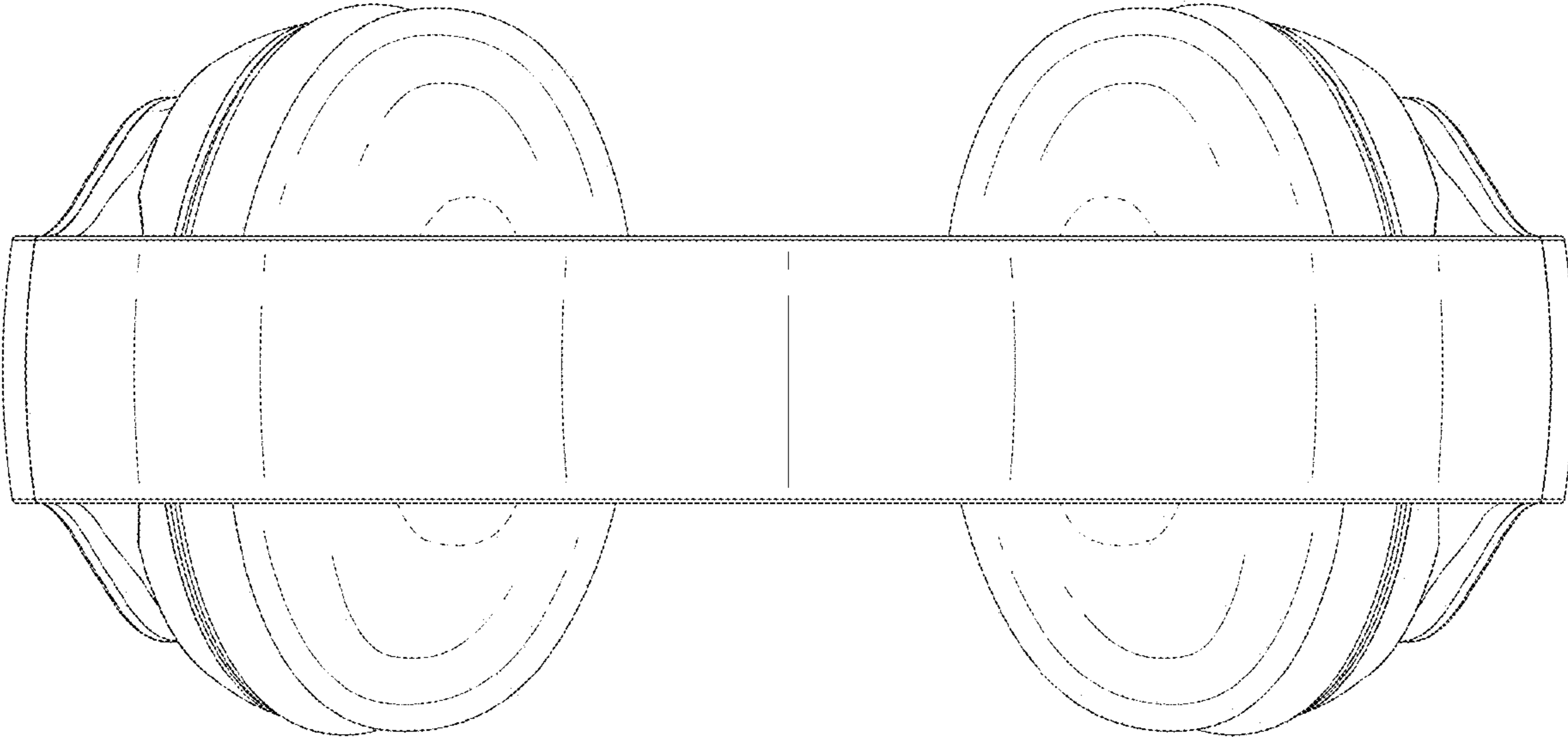


FIG. 6

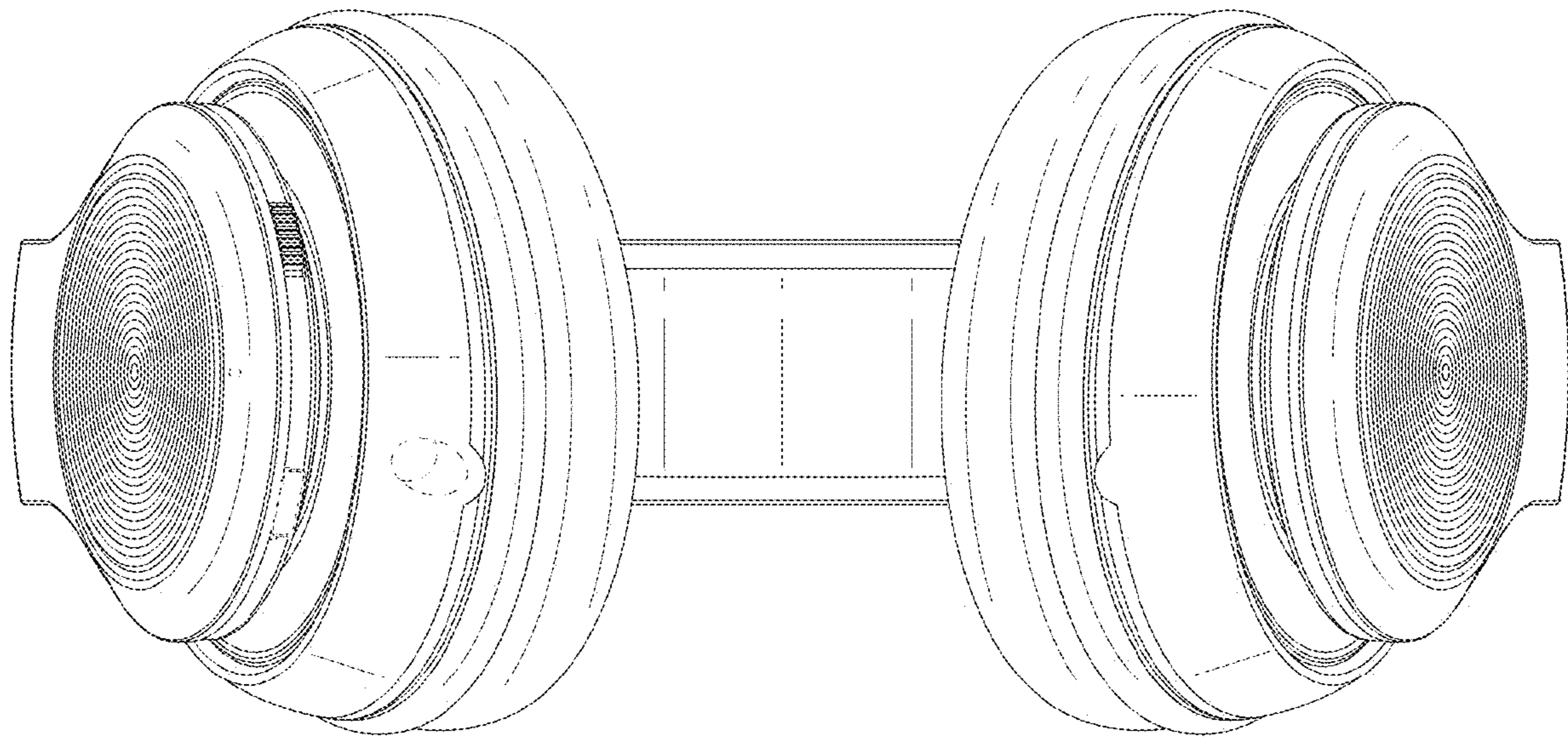


FIG. 7

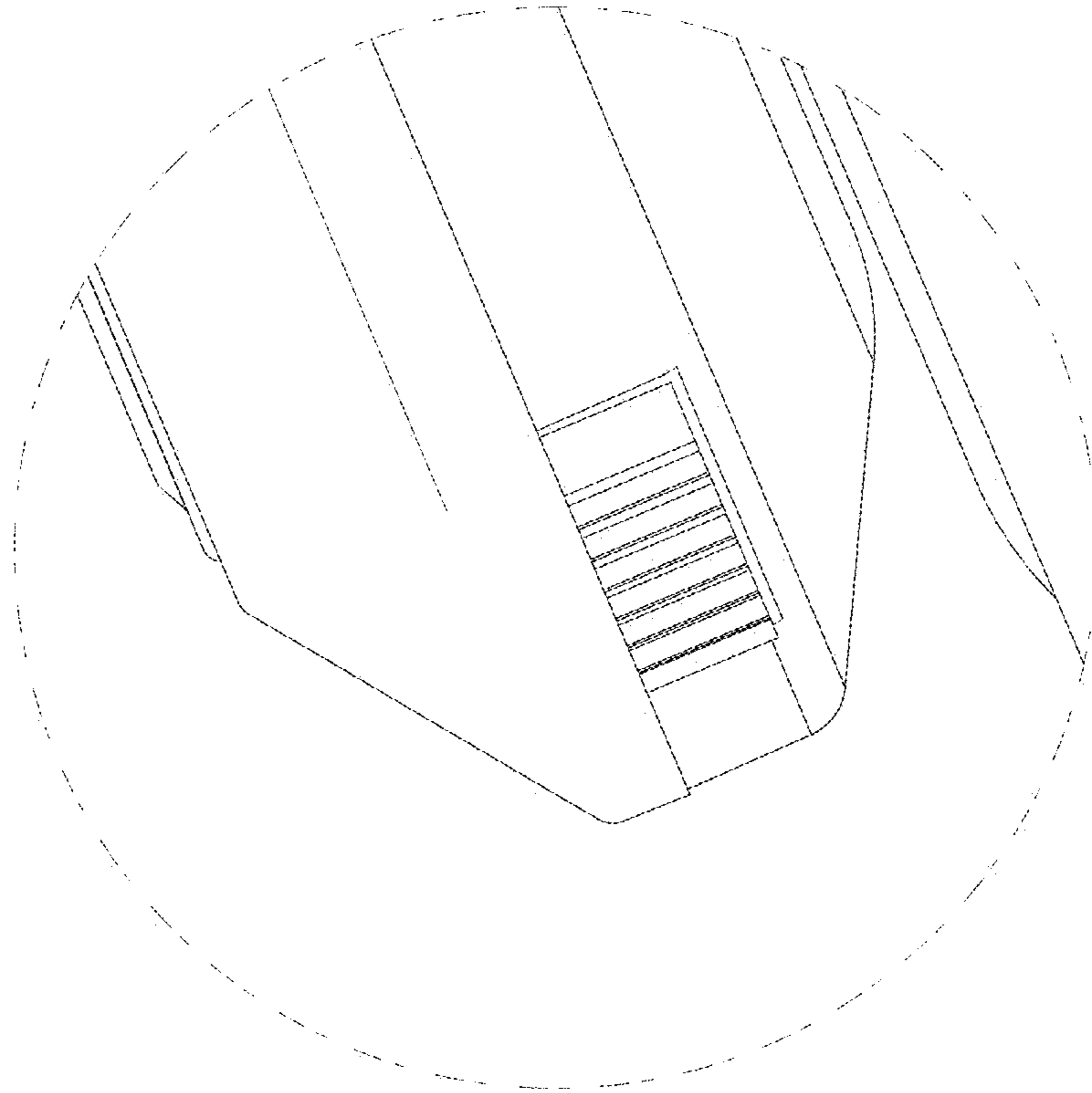


FIG. 8

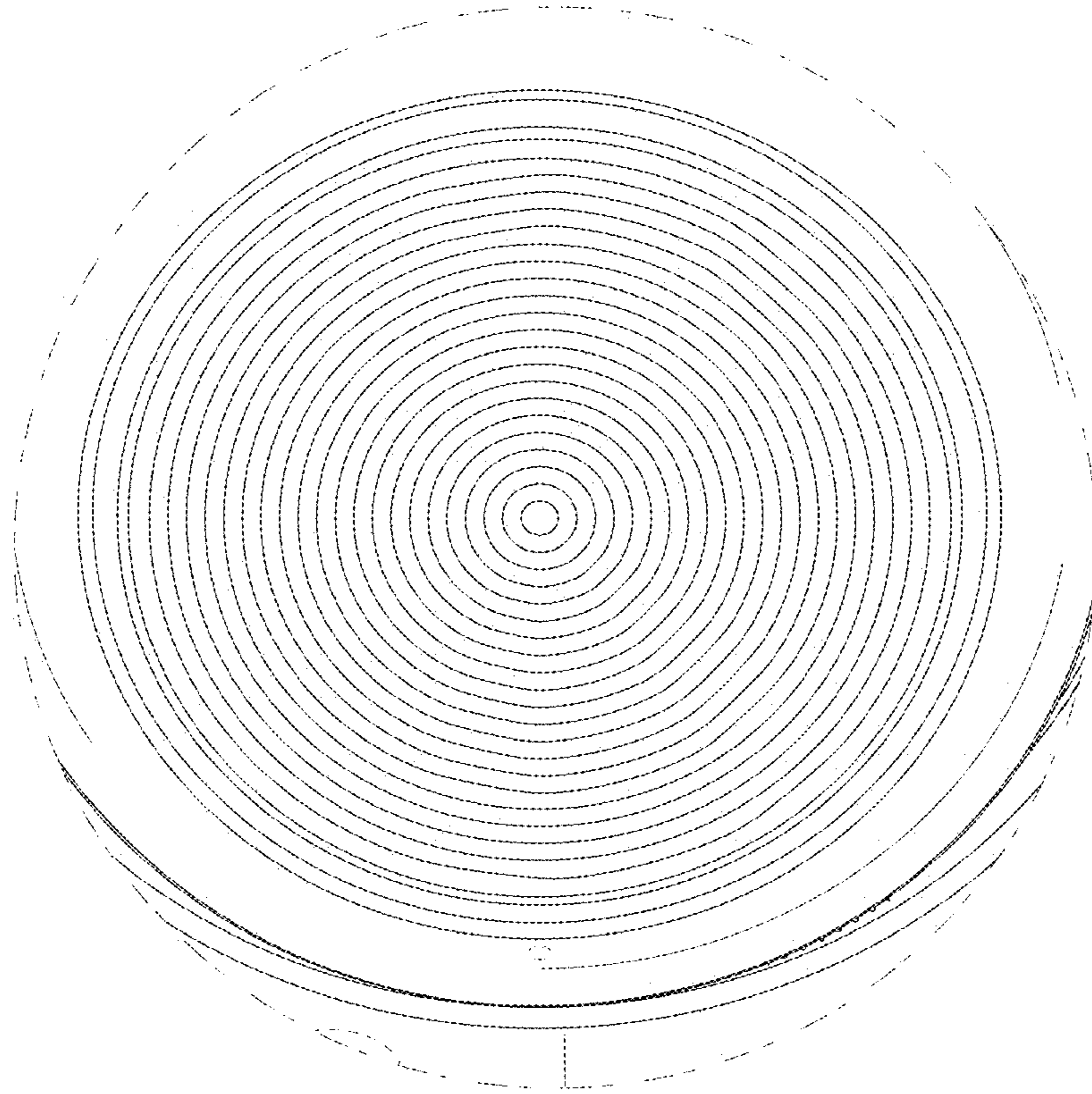


FIG. 9