



US00D986847S

(12) **United States Design Patent**
Chen

(10) **Patent No.:** **US D986,847 S**

(45) **Date of Patent:** **** May 23, 2023**

(54) **RADIO WITH LIGHT**

(71) Applicant: **Tiancai Chen**, Guangdong (CN)

(72) Inventor: **Tiancai Chen**, Guangdong (CN)

(**) Term: **15 Years**

(21) Appl. No.: **29/871,463**

(22) Filed: **Feb. 21, 2023**

(51) **LOC (14) Cl.** **14-01**

(52) **U.S. Cl.**
USPC **D14/172**

(58) **Field of Classification Search**
USPC D14/155–159, 160–173, 187–188,
D14/189–199, 203.1–203.8, 204–216,
D14/217–222, 224–229, 492, 496,
D14/498–506

CPC H04R 1/02; H04R 1/021; H04R 1/025;
H04R 1/026; H04R 1/028; H04R 1/06;
H04R 1/105; H04R 1/323; H04R 1/403;
H04R 1/2803; H04R 1/2834

See application file for complete search history.

(56) **References Cited**

U.S. PATENT DOCUMENTS

D236,912 S *	9/1975	Akazawa et al.	D14/196
D238,610 S *	1/1976	Ohta et al.	D14/194
D263,832 S *	4/1982	Lee	D10/2
D273,678 S *	5/1984	Nishimoto	D10/2
D359,044 S *	6/1995	Oka	D14/161
D364,869 S *	12/1995	Lam	D26/38
D376,663 S *	12/1996	Yuen	D26/38
D385,277 S *	10/1997	Li	D26/38
D488,140 S *	4/2004	Hanselman	D14/129
D520,659 S	5/2006	Yuen		
D533,528 S *	12/2006	Krieger	D14/129
D643,138 S *	8/2011	Kawase	D26/37
D815,695 S *	4/2018	Waldman	D14/203.3
D863,255 S *	10/2019	Wang	D14/214

D864,893 S *	10/2019	Lee	D14/204
D882,547 S *	4/2020	Gurkin	D14/215
D897,310 S *	9/2020	Wu	D14/214
D912,010 S *	3/2021	Luo	D14/204
D959,402 S *	8/2022	Li	D14/188

FOREIGN PATENT DOCUMENTS

CN	3166357	*	11/2000
JP	D1698697	*	11/2021

OTHER PUBLICATIONS

Emergency Hand Crank Radio, date first available: May 7, 2022, [retrieved Mar. 9, 2023], Retrieved from Internet, URL: <<https://www.amazon.com/dp/B09ZQP7588>> (Year: 2022).*

Emergency Radio, date first available: Nov. 4, 2020, [retrieved Mar. 9, 2023], Retrieved from Internet, URL: <<https://www.amazon.com/dp/B08MPYBBQB?th=1>> (Year: 2020).*

(Continued)

Primary Examiner — Messina L Smith

Assistant Examiner — Aram Kwon

(57) **CLAIM**

The ornamental design for a radio with light, as shown and described.

DESCRIPTION

FIG. 1 is a front and top perspective view of a radio with light, showing my new design;

FIG. 2 is a rear and bottom perspective view thereof;

FIG. 3 is a front elevation view thereof;

FIG. 4 is a rear elevation view thereof;

FIG. 5 is a left side elevation view thereof;

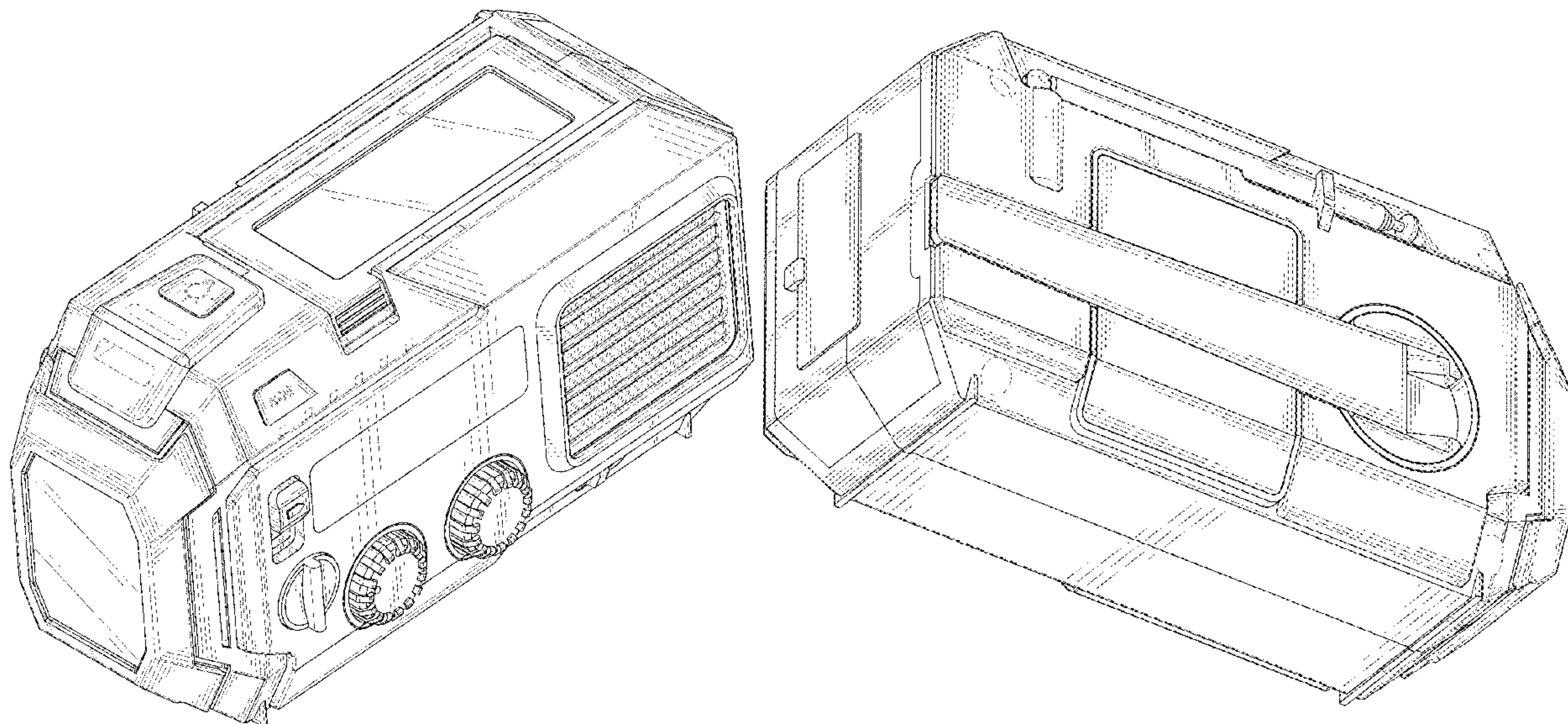
FIG. 6 is a right side elevation view thereof;

FIG. 7 is a top plan view thereof; and,

FIG. 8 is a bottom plan view thereof.

The broken lines in the figures illustrate portions of the radio with light that form no part of the claimed design.

1 Claim, 8 Drawing Sheets



(56)

References Cited

OTHER PUBLICATIONS

Emergency Weather Radio, date first available: Jul. 26, 2019, [retrieved Mar. 9, 2023], Retrieved from Internet, URL: <<https://www.amazon.com/dp/B07VPTZKFW>> (Year: 2019).*

Emergency Radio 5000, date first available: May 17, 2021, [retrieved Mar. 9, 2023], Retrieved from Internet, URL: <<https://www.amazon.com/Emergency-5000mAh-WinDrogon-Portable-Flashlight/dp/B0952VX47B>> (Year: 2021).*

* cited by examiner

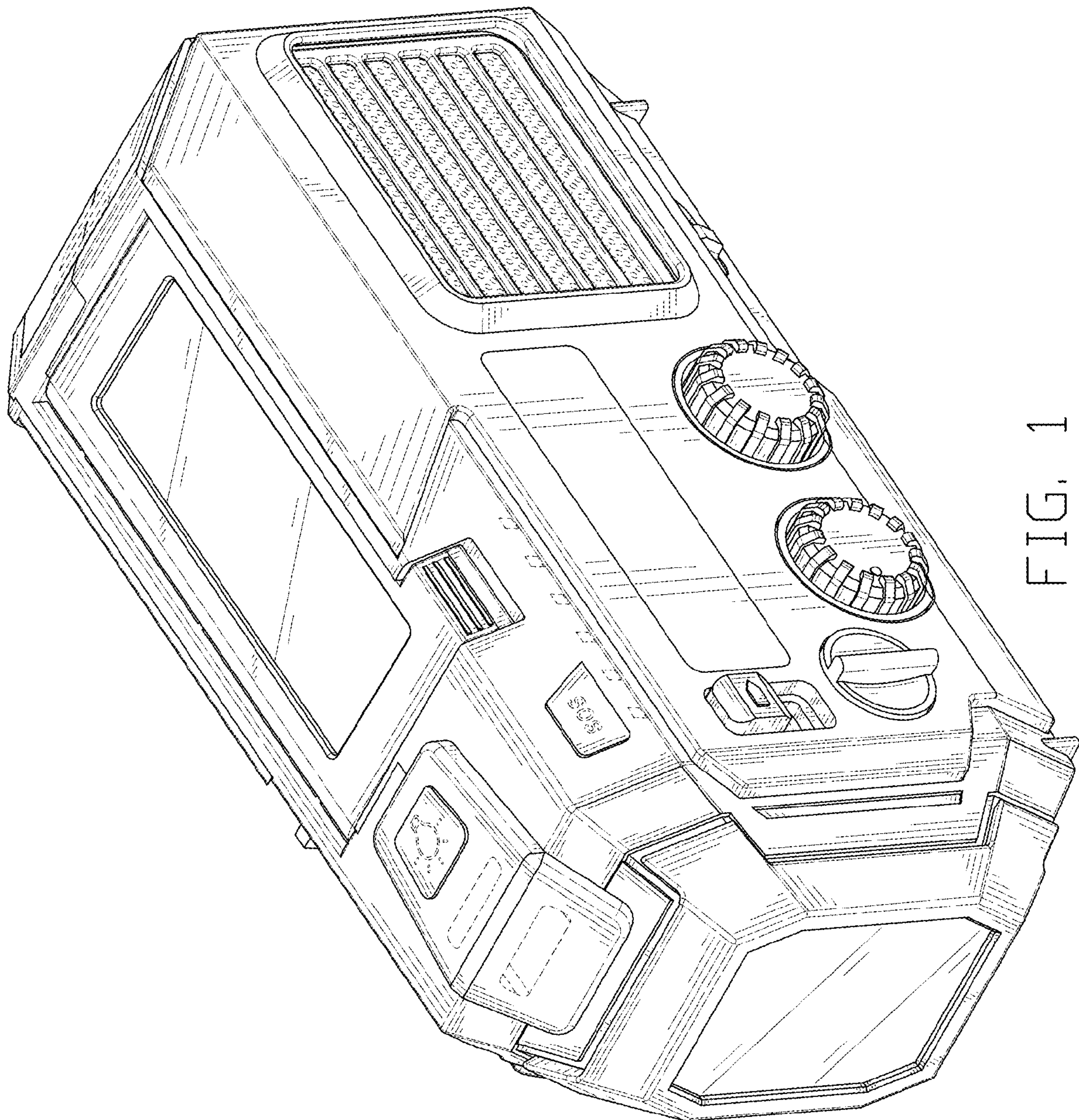


FIG. 1

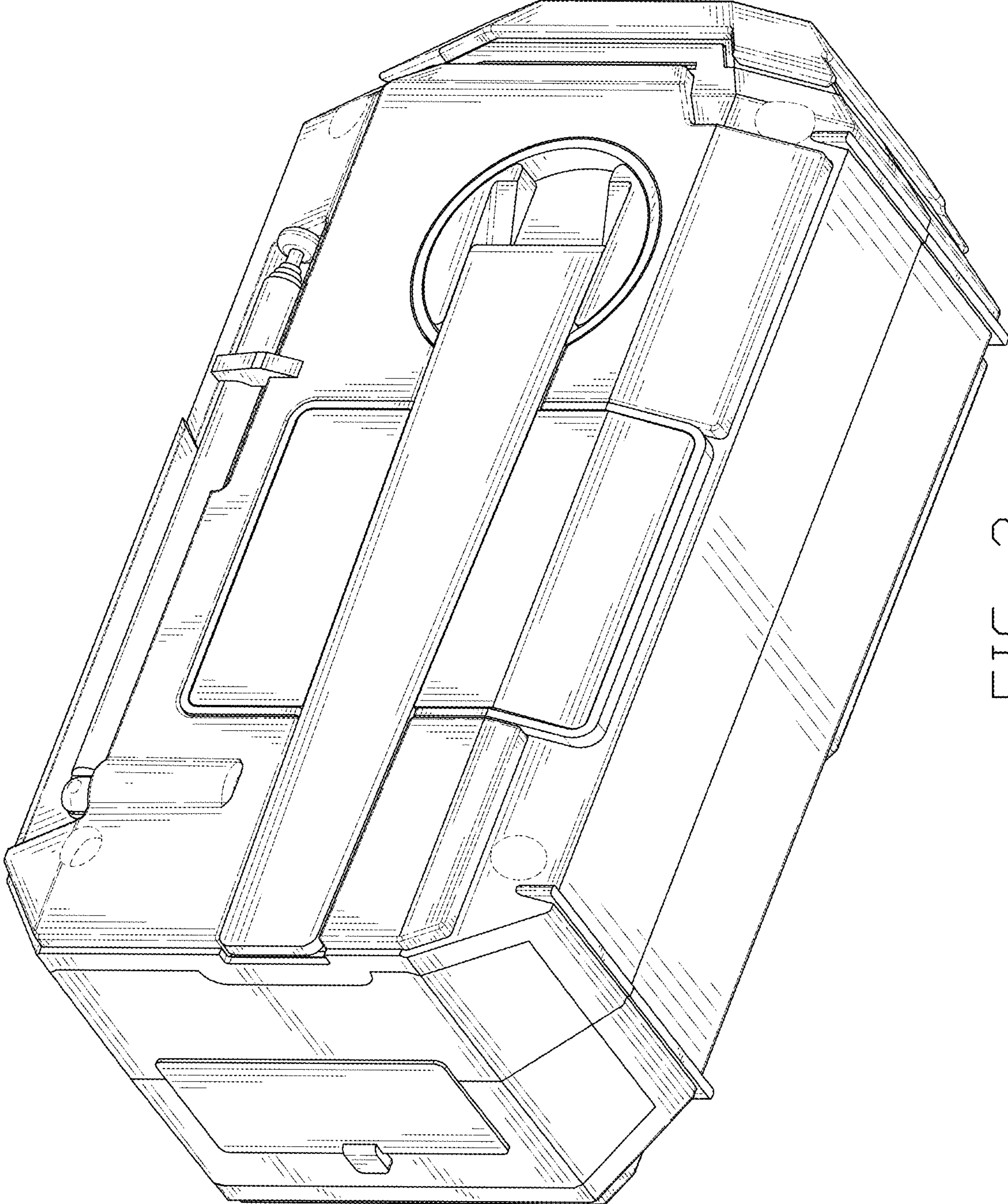


FIG. 2

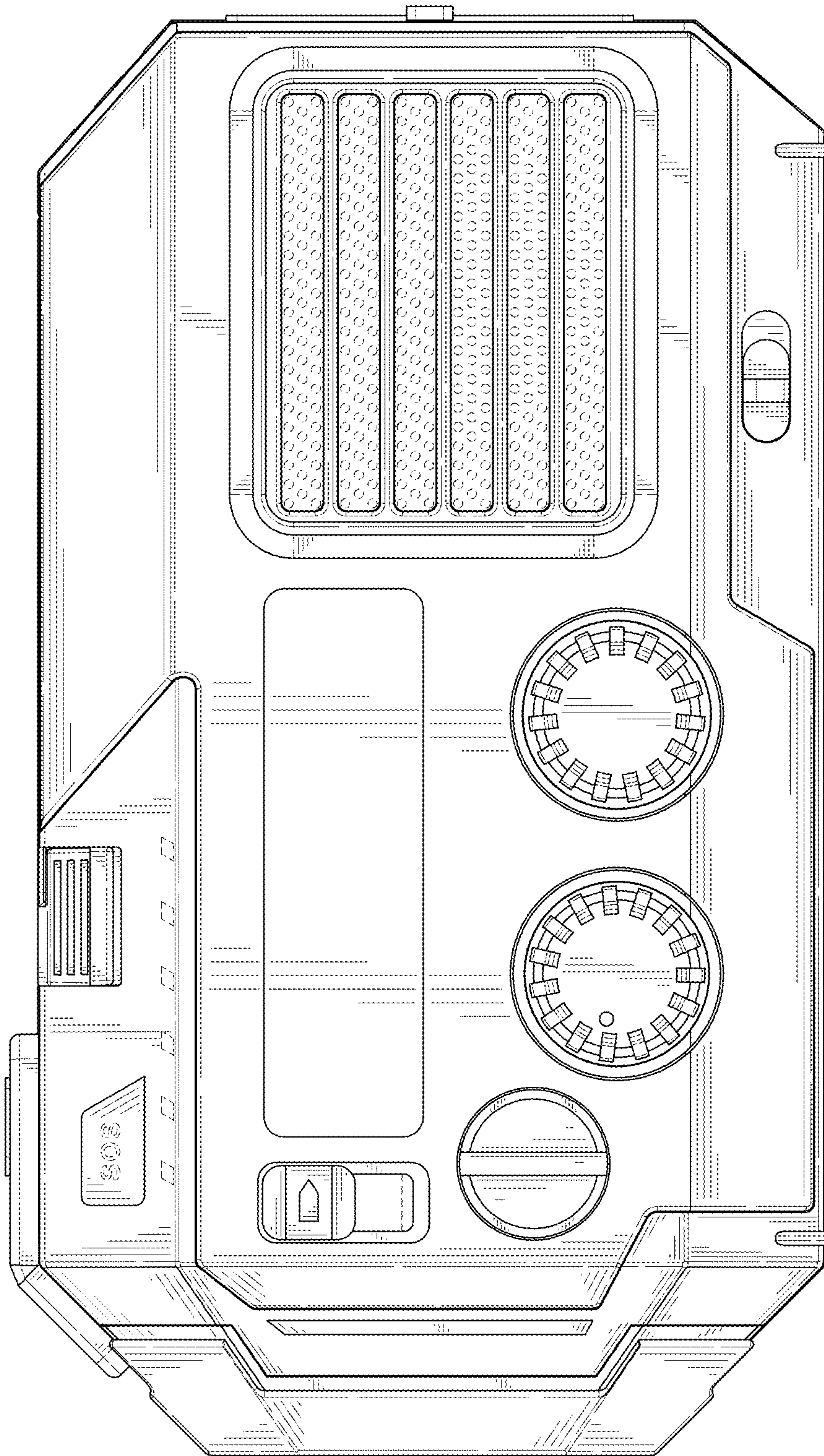


FIG. 3

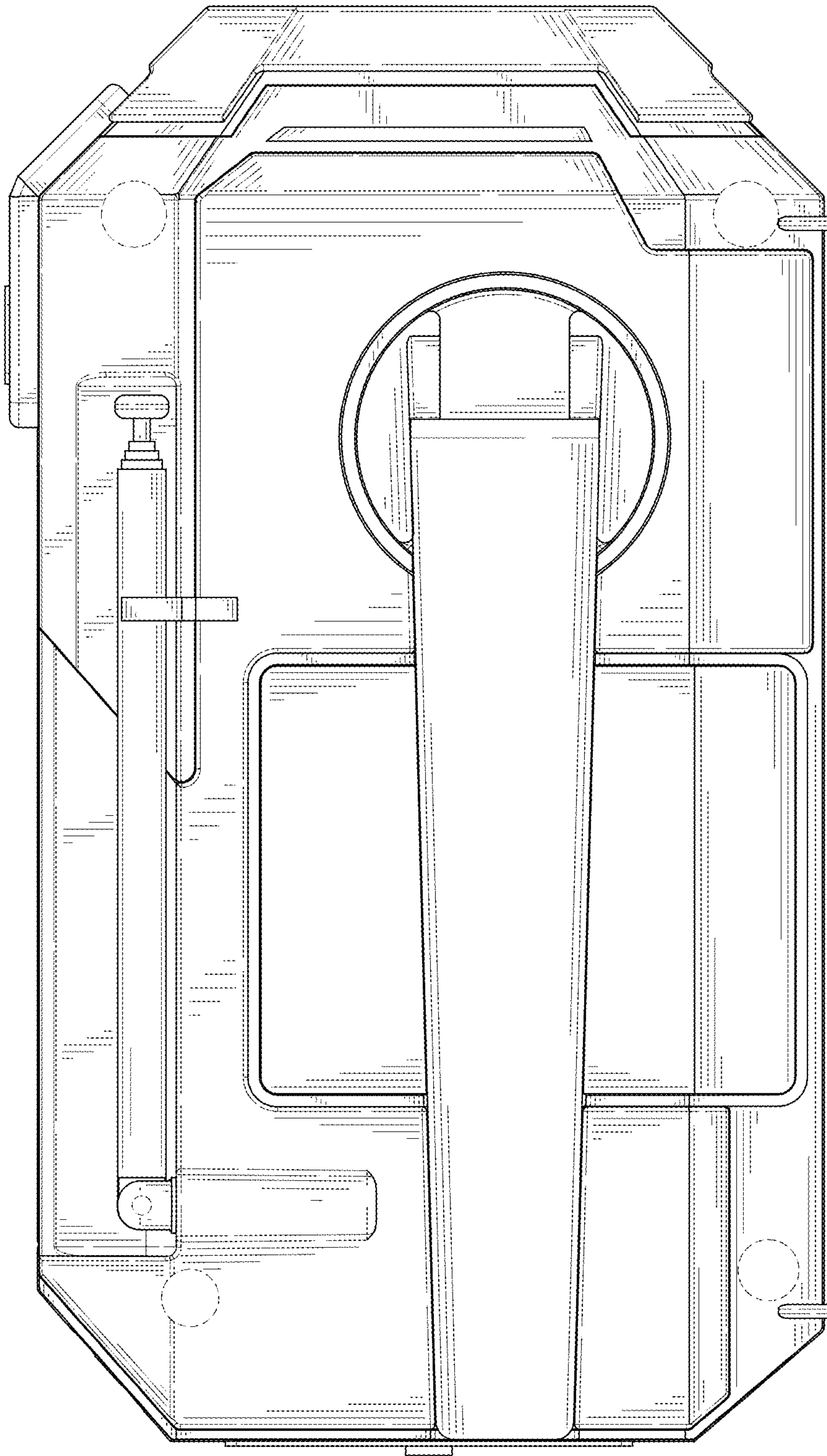


FIG. 4

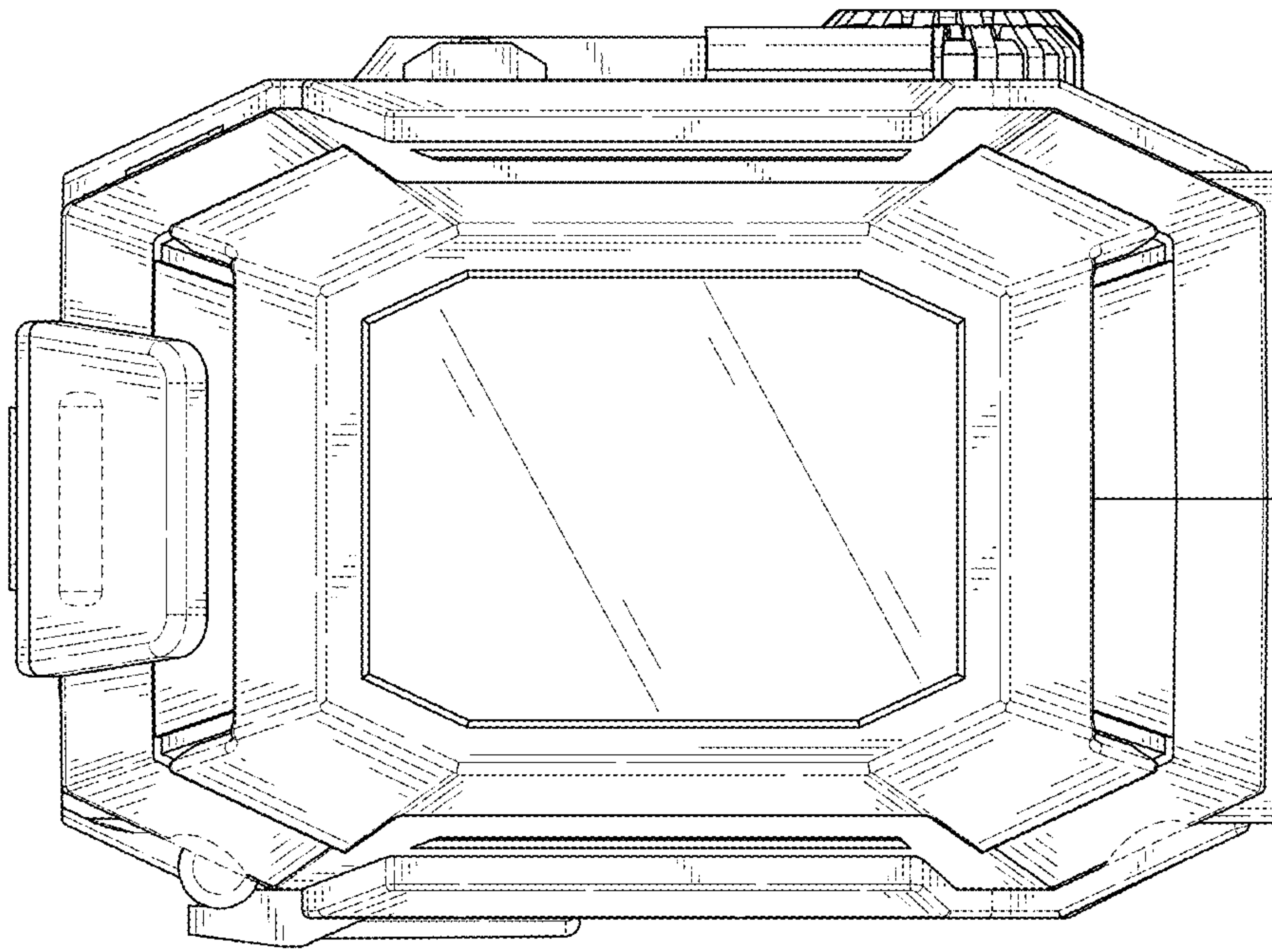


FIG. 5

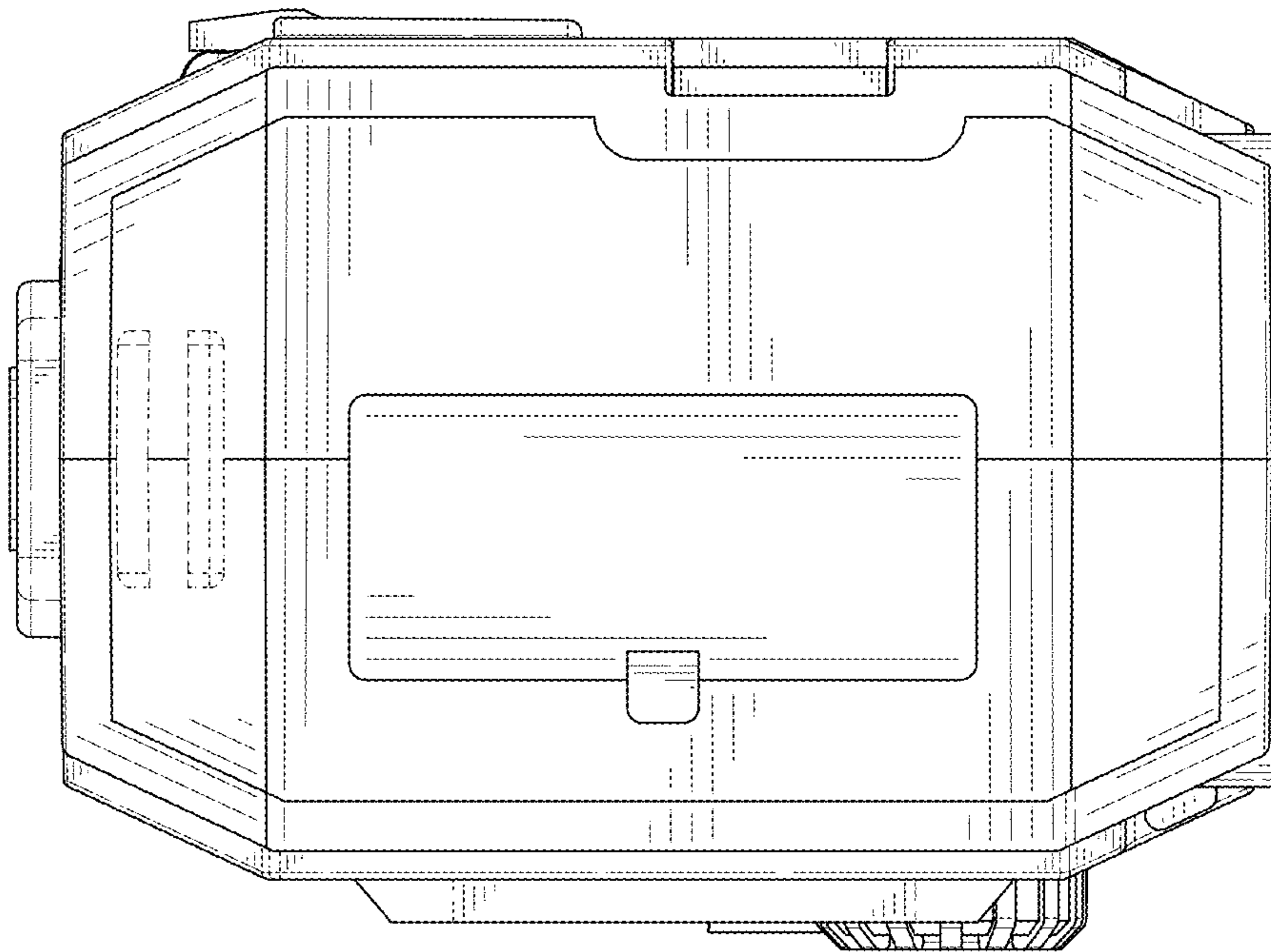


FIG. 6

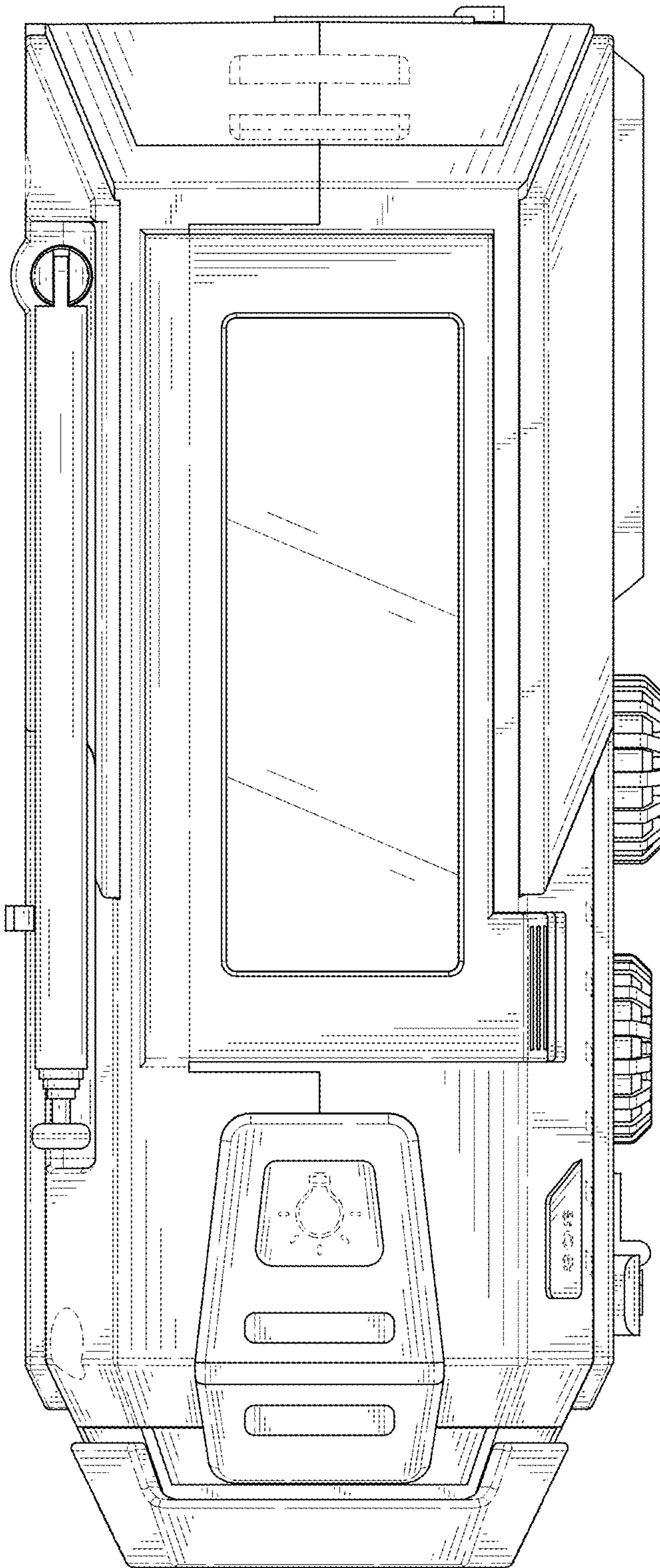


FIG. 7

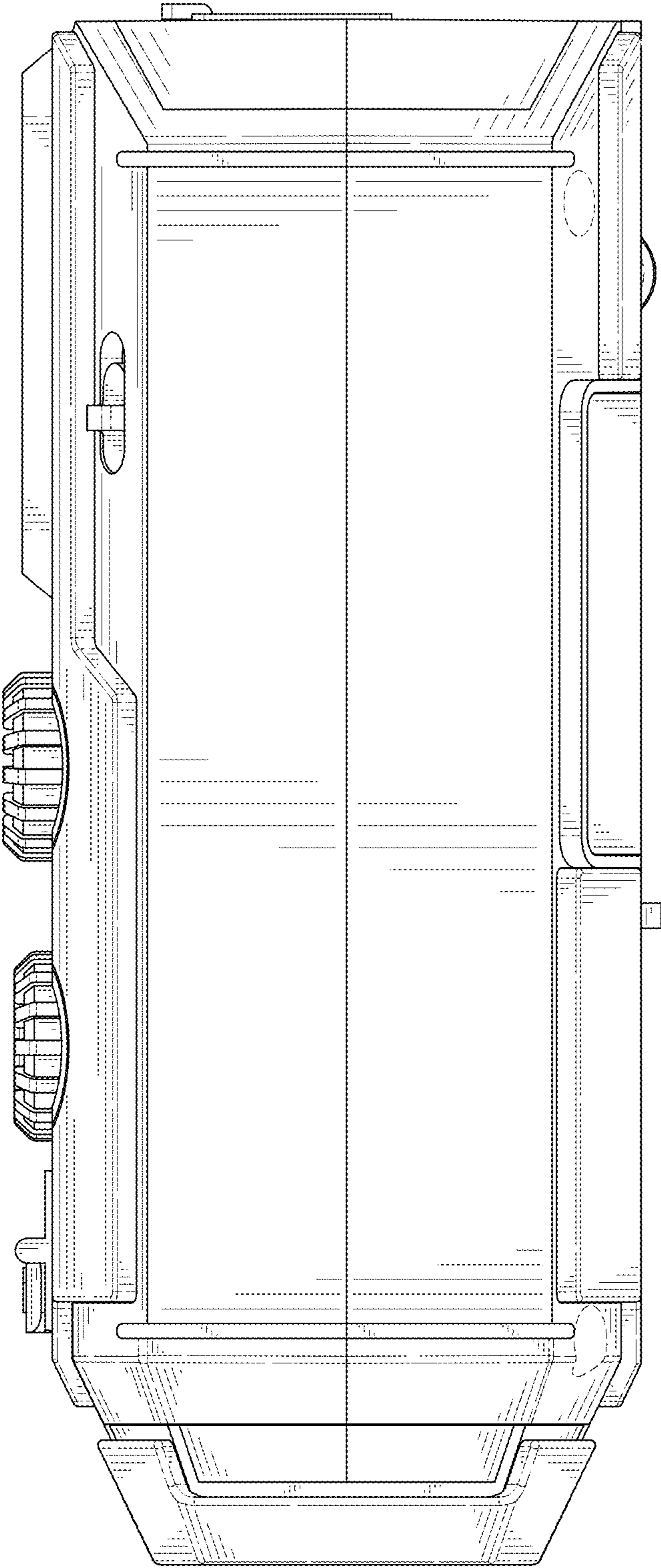


FIG. 8