



US00D986845S

(12) **United States Design Patent**
Lee et al.

(10) **Patent No.:** **US D986,845 S**
(45) **Date of Patent:** **** May 23, 2023**

(54) **ELECTRONIC DEVICE**

(71) Applicant: **Samsung Electronics Co., Ltd.**,
Suwon-si (KR)

(72) Inventors: **Junwon Lee**, Suwon-si (KR); **Jinhoo Lee**, Suwon-si (KR); **Namsu Kim**, Suwon-si (KR); **Kangmoon Kim**, Suwon-si (KR); **Jieun Myung**, Suwon-si (KR); **Dahyun Lee**, Suwon-si (KR); **Junho Jin**, Suwon-si (KR); **Jiyun Lim**, Suwon-si (KR); **Bosoon Kang**, Suwon-si (KR)

(73) Assignee: **SAMSUNG ELECTRONICS CO., LTD.**, Suwon-si (KR)

(**) Term: **15 Years**

(21) Appl. No.: **29/812,277**

(22) Filed: **Oct. 20, 2021**

(30) **Foreign Application Priority Data**

Apr. 29, 2021 (KR) 30-2021-0020863

(51) **LOC (14) Cl.** **14-03**

(52) **U.S. Cl.**
USPC **D14/138 AB**

(58) **Field of Classification Search**
USPC D14/138 G, 138 AD, 138 AB, 248, 341,
D14/345, 439, 432, 371, 374, 138 R,
D14/138 AA, 138 AC, 138 C
CPC H04M 1/0202; H04M 1/0235; H04M
1/0237; H04M 1/0239; H04M 1/0266;
H04M 1/0268; H04M 1/027; H04M
1/0295; H04M 1/02; H04M 1/0279;
H04M 1/0283

See application file for complete search history.

(56) **References Cited**

U.S. PATENT DOCUMENTS

D825,513 S * 8/2018 Seo D14/138 AD
D826,203 S * 8/2018 Seo D14/138 AD

D826,889 S * 8/2018 Seo D14/138 AD
D842,833 S * 3/2019 Seo D14/345
D842,834 S * 3/2019 Seo D14/345
D902,878 S * 11/2020 Kim D14/138 AB
D903,621 S * 12/2020 Kim D14/138 AB
D905,029 S * 12/2020 Seo D14/248
D915,337 S * 4/2021 Lee D14/138 AD
D920,312 S * 5/2021 Seo D14/248
D943,543 S * 2/2022 Zhang D14/138 AB
D951,896 S * 5/2022 Kim D14/138 AB

(Continued)

OTHER PUBLICATIONS

Samsung Galaxy Z Fold3 5G, announced Aug. 11, 2021, [online], [retrieved on Feb. 16, 2023]. Retrieved from Internet ,<URL: <http://www.gsmarena.com>>.*

Primary Examiner — Bridget L Eland

(74) *Attorney, Agent, or Firm* — McAndrews Held & Malloy, Ltd.

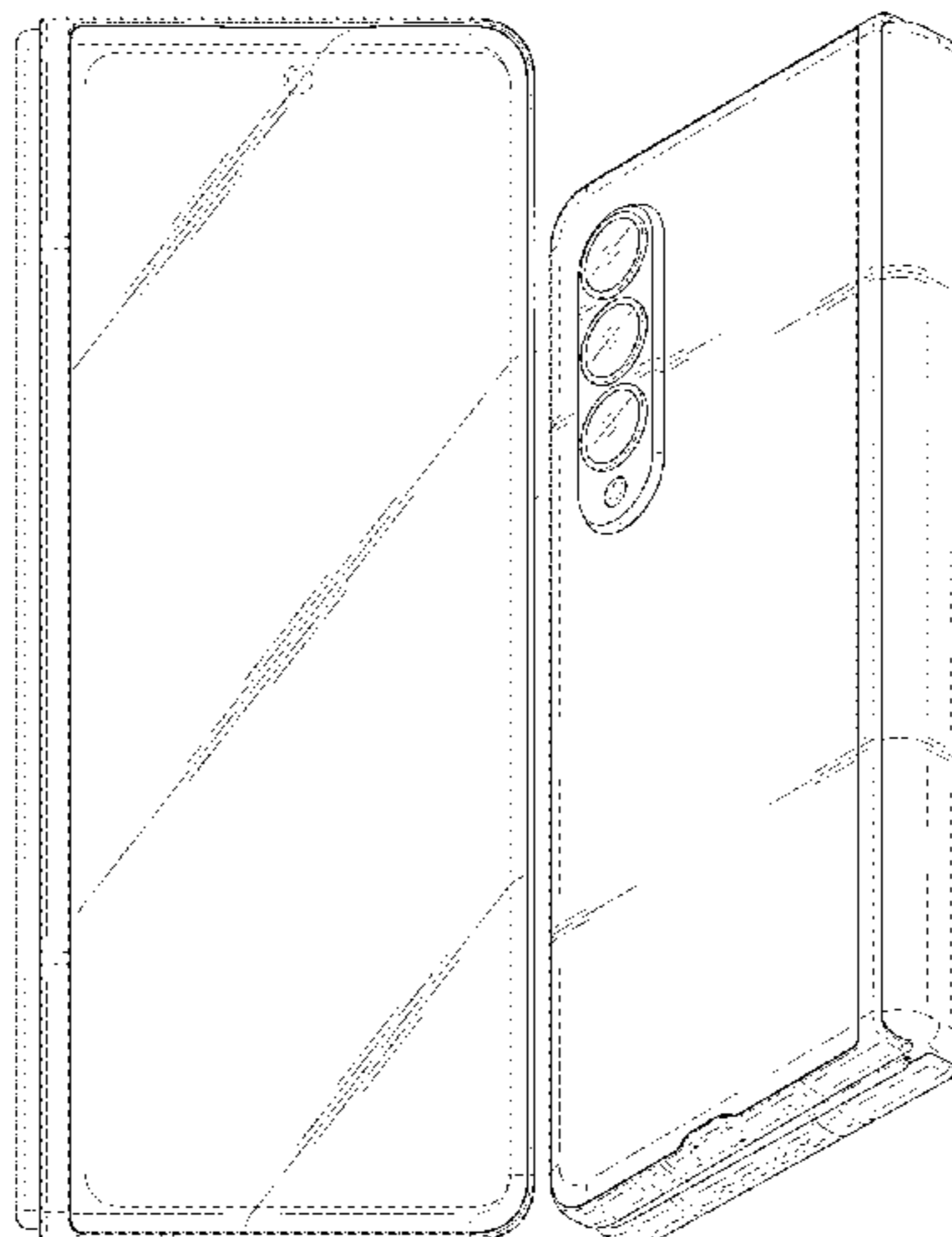
(57) **CLAIM**

The ornamental design for an electronic device, as shown and described.

DESCRIPTION

FIG. 1 is a front perspective view of an electronic device showing our new design;
FIG. 2 is a front view thereof;
FIG. 3 is a rear view thereof;
FIG. 4 is a left side view thereof;
FIG. 5 is a right side view thereof;
FIG. 6 is a top plan view thereof;
FIG. 7 is a bottom plan view thereof; and,
FIG. 8 is a rear perspective view thereof.
The dashed broken lines in the figures depict portions of the electronic device that form no part of the claimed design.

1 Claim, 8 Drawing Sheets



(56)

References Cited

U.S. PATENT DOCUMENTS

D955,357 S * 6/2022 Sun D14/138 AD
D957,380 S * 7/2022 Seo D14/248
D957,381 S * 7/2022 Seo D14/248
D961,565 S * 8/2022 Kim D14/248
D962,927 S * 9/2022 Song D14/341
D963,604 S * 9/2022 Zhang D14/138 AD
D971,194 S * 11/2022 Song D14/248
2019/0166703 A1 * 5/2019 Kim H05K 5/0226
2020/0177714 A1 * 6/2020 Jung H04M 1/72415
2020/0281337 A1 * 9/2020 Lee G06F 1/165
2021/0004049 A1 * 1/2021 Park H04M 1/0216
2021/0099019 A1 * 4/2021 Lee H02J 7/02
2021/0152678 A1 * 5/2021 Jang H04M 1/0214
2023/0037484 A1 * 2/2023 Kang H04B 1/3888

* cited by examiner

FIG. 1

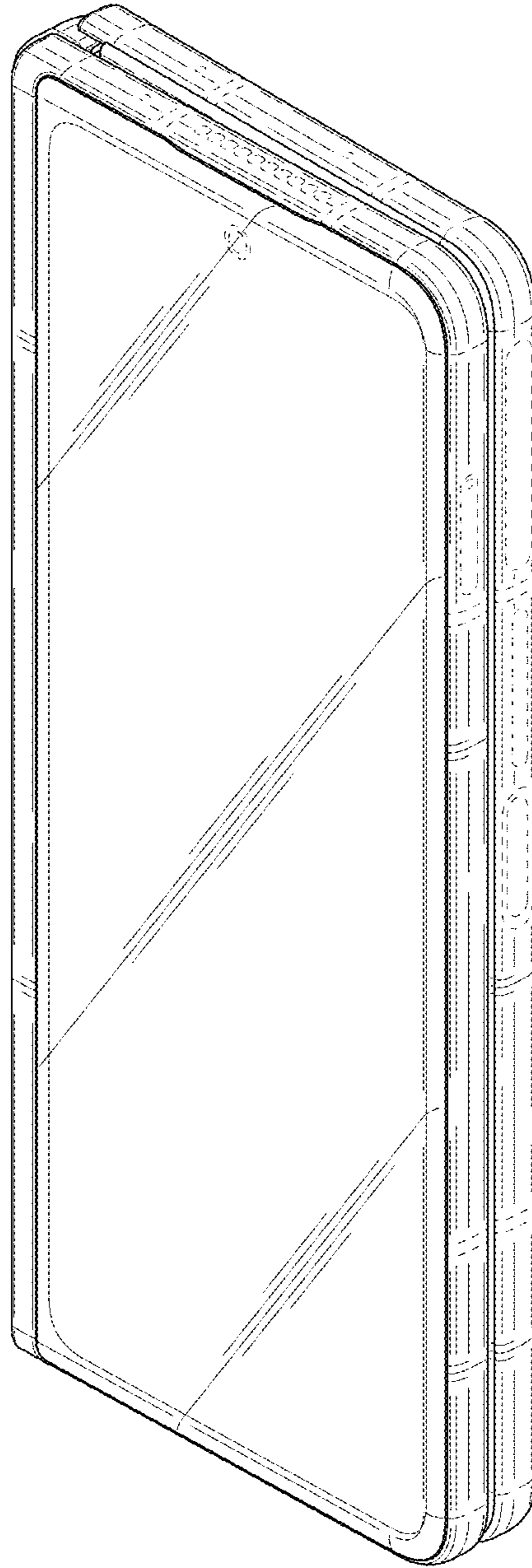


FIG. 2

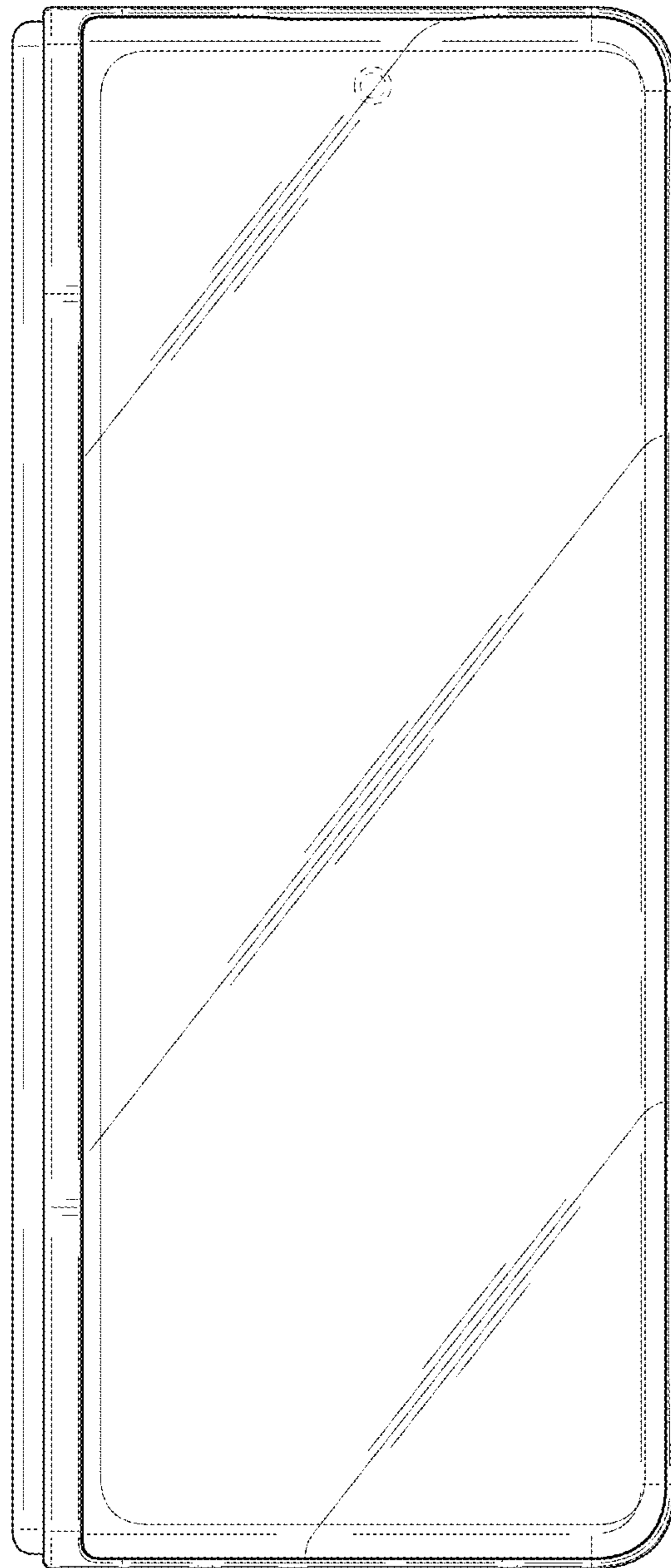


FIG. 3

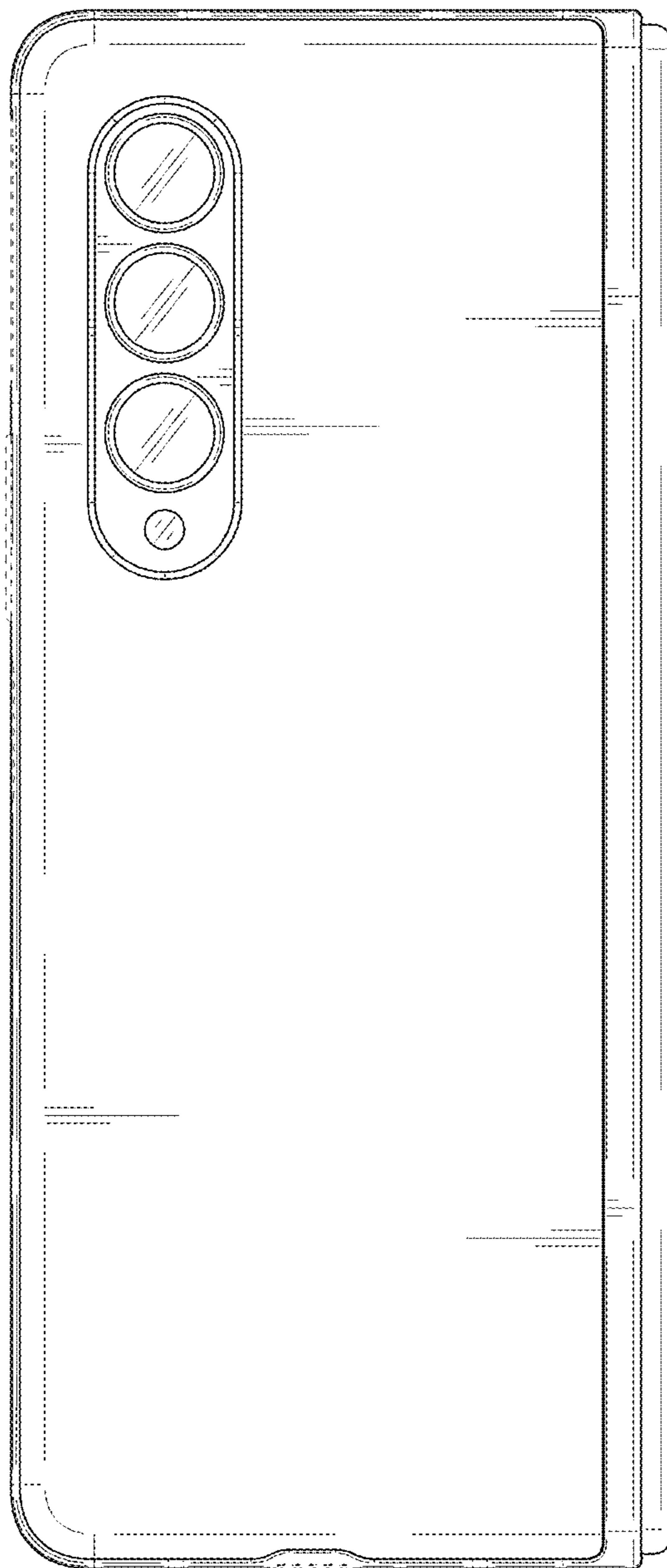


FIG. 4

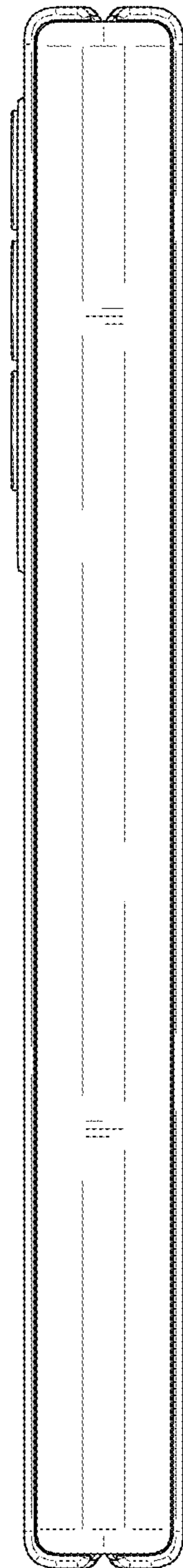


FIG. 5

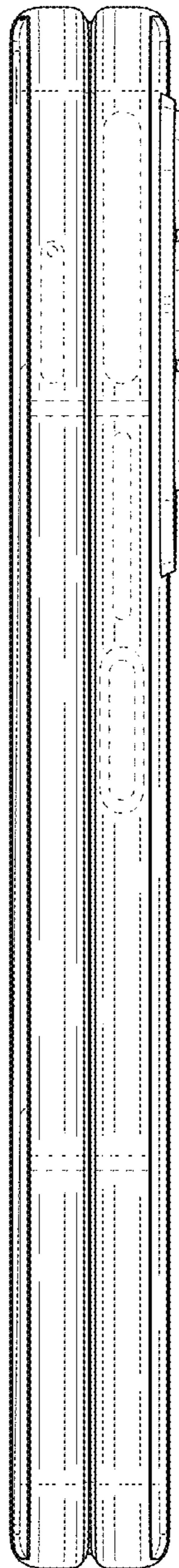


FIG. 6

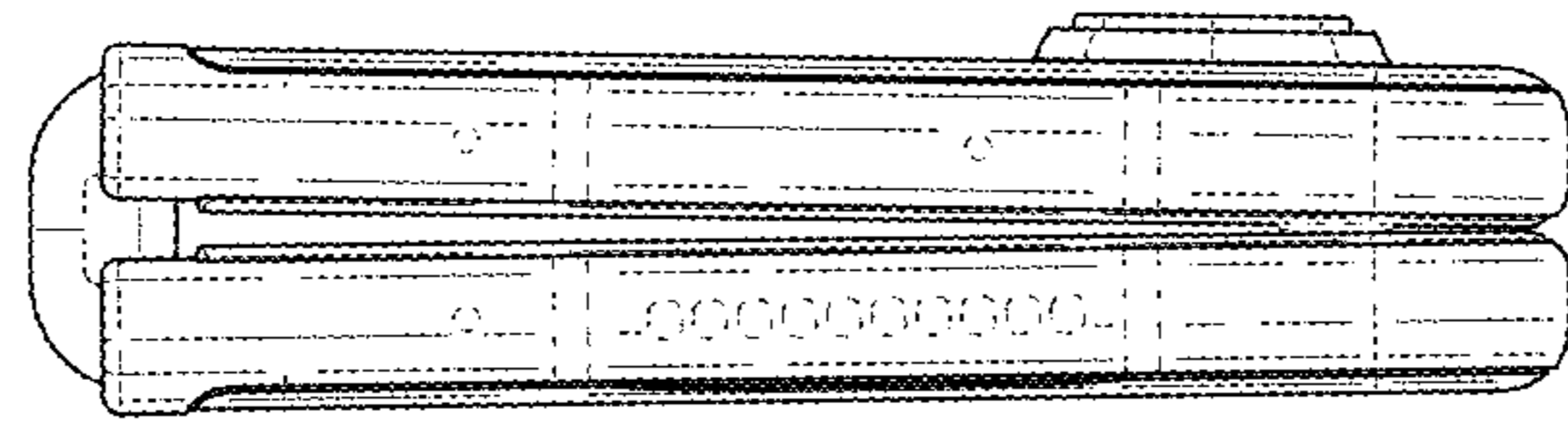


FIG. 7

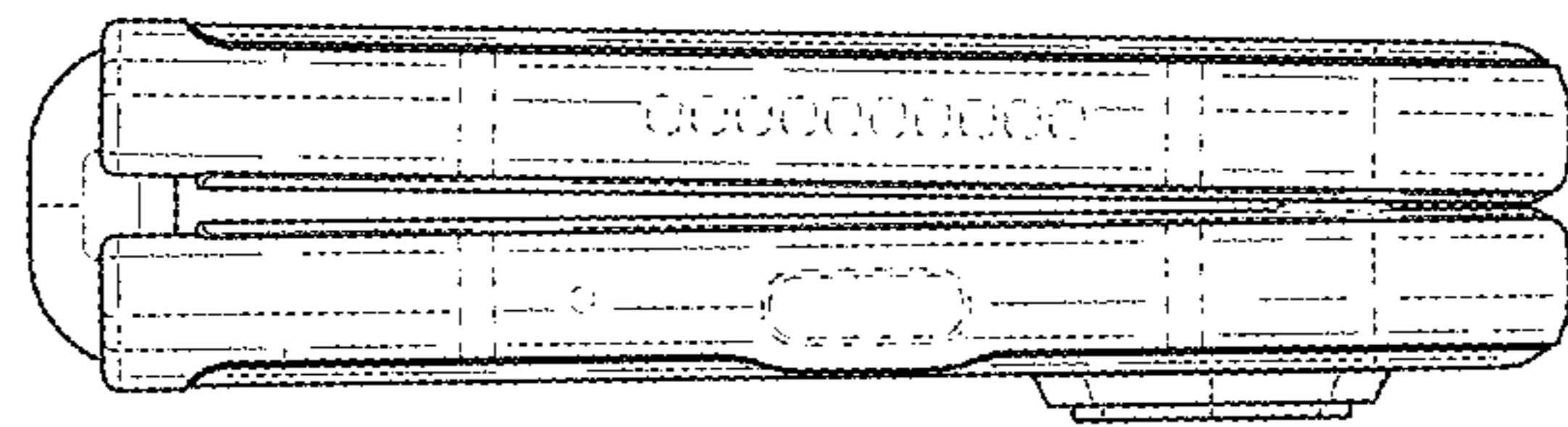


FIG. 8

