



US00D986838S

(12) **United States Design Patent** (10) **Patent No.:** **US D986,838 S**  
**Altonen et al.** (45) **Date of Patent:** **\*\* \*May 23, 2023**

(54) **ILLUMINATED CONTROL DEVICE**

(71) Applicant: **Lutron Technology Company LLC**,  
Coopersburg, PA (US)

(72) Inventors: **Gregory Altonen**, Easton, PA (US);  
**Chris Dimberg**, Easton, PA (US);  
**Jason C. Killo**, Emmaus, PA (US);  
**Daniel L. Twaddell**, Allentown, PA  
(US)

(73) Assignee: **Lutron Technology Company LLC**,  
Coopersburg, PA (US)

(\*) Notice: This patent is subject to a terminal disclaimer.

(\*\*) Term: **15 Years**

(21) Appl. No.: **29/801,752**

(22) Filed: **Jul. 30, 2021**

(51) **LOC (14) Cl.** ..... **13-03**

(52) **U.S. Cl.**  
USPC ..... **D13/169; D13/174**

(58) **Field of Classification Search**  
USPC ..... D13/162, 169, 171, 174, 177  
CPC .. H01H 3/12; H01H 9/02; H01H 9/16; H01H  
9/18; H01H 9/181; H01H 9/182; H01H  
13/04; H01H 13/06; H01H 13/14; H01H  
2009/187; H01H 3/04; H01H 23/00;  
H01H 23/02; H01H 23/04; H01H 23/06;  
H01H 23/08; H01H 23/14; H01H 23/146;  
H01H 23/148; H01H 23/16; H01H  
23/162; H01H 21/00; H01H 21/04; H01H  
21/36; H01H 25/00; H01H 25/04; H01H  
25/06; H05B 39/02; H05B 39/04; H05B  
39/085; H05B

(Continued)

(56) **References Cited**

**U.S. PATENT DOCUMENTS**

5,207,317 A 5/1993 Bryde et al.  
D364,141 S 11/1995 Hanna et al.

(Continued)

**OTHER PUBLICATIONS**

Amazon.com; Lutron Diva 250W LED+ Dimmer Switch for Dim-  
mable LED; Dec. 10, 2010; 2 pgs.\*

(Continued)

*Primary Examiner* — Selina Sikder

(74) *Attorney, Agent, or Firm* — Saidman DesignLaw  
Group, LLC

(57) **CLAIM**

The ornamental design for an illuminated control device, as  
shown and described.

**DESCRIPTION**

FIG. 1 is a front view showing a first state in a sequence of  
an illuminated control device showing our design;

FIG. 2 is a left side view thereof;

FIG. 3 is a right side view thereof;

FIG. 4 is a top view thereof;

FIG. 5 is a bottom view thereof;

FIG. 6 is a front view showing a second state in a sequence  
thereof;

FIG. 7 is a front view showing a third state in a sequence  
thereof;

FIG. 8 is a front view showing a fourth state in a sequence  
thereof; and,

FIG. 9 is a front view showing a fifth state in a sequence  
thereof.

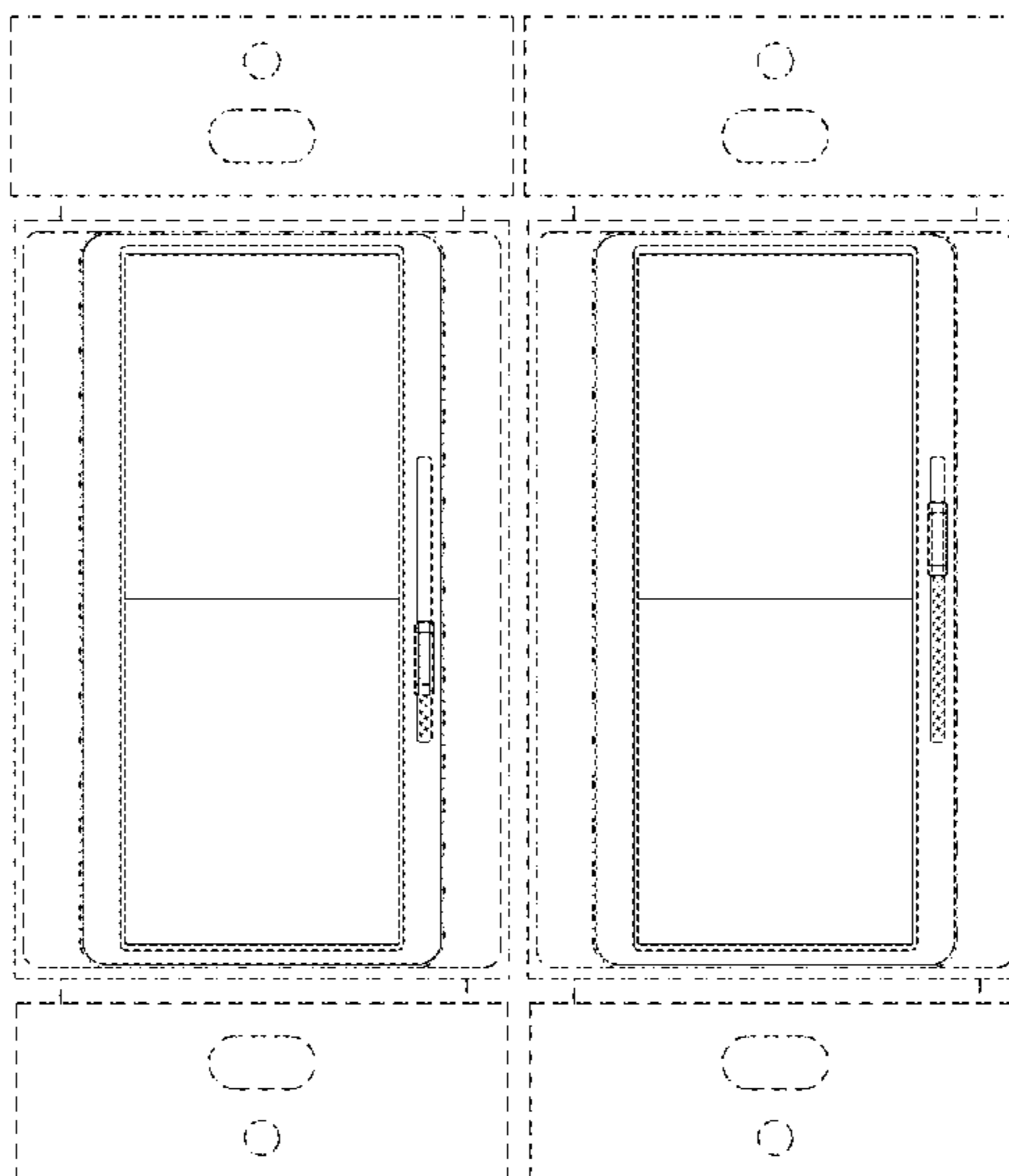
The gray shaded elements depict illumination.

The dashed broken lines illustrate portions of the control  
device which form no part of the claimed design.

The dot-dot-dash broken lines illustrate boundaries which  
form no part of the claimed design.

The appearance of the claimed design transitions from the  
first state to the last state in the sequence. The process or  
period in which one state transitions to another state forms  
no part of the claimed design.

**1 Claim, 7 Drawing Sheets**



- (58) **Field of Classification Search**  
 CPC .... 39/086; H05B 39/088; H03K 17/96; H03K  
 17/962  
 See application file for complete search history.

D924,819 S	7/2021	Newman, Jr. et al.	
D933,027 S *	10/2021	Altonen .....	D13/169
D962,878 S *	9/2022	Dimberg .....	H01H 9/0207 D13/174

- (56) **References Cited**

U.S. PATENT DOCUMENTS

6,005,308 A	12/1999	Bryde et al.	
D576,962 S *	9/2008	Kidman .....	D13/169
D583,335 S *	12/2008	Ni .....	D13/169
D601,513 S *	10/2009	Goyal .....	D13/177
8,003,904 B2 *	8/2011	Wu .....	H01H 3/161 200/18
D649,122 S *	11/2011	Jacoby .....	D13/162
D740,766 S *	10/2015	Falkenberg .....	D13/169
9,329,607 B2 *	5/2016	Kevelos .....	H01H 23/025
D821,985 S *	7/2018	Zheng .....	D13/169
D865,682 S	11/2019	Dimberg et al.	
10,652,968 B2 *	5/2020	Zheng .....	H05B 47/10
D892,065 S	8/2020	Dimberg et al.	
D913,254 S	3/2021	Altonen et al.	
D924,185 S	7/2021	Newman, Jr. et al.	

OTHER PUBLICATIONS

Amazon.com.ELEGRP Slide Dimmer Switch for Dimmable LED, Dec. 12, 2018; 2 pgs.\*  
 Amazon.com; Bestten Digital Dimmer Switch with LED Indicator, Horizontal Dimming Slider Bar; Aug. 22, 2019; 2 pgs.\*  
 Inovelli Dimmer Switch; Jun. 20, 2019; 1 pg.\*  
 Amazon.com;Leviton R02-VZM10-1LW Vizia 1000-Watt Incandescent\_Magnetic Low Voltage Dimmer; Sep. 10, 2008; 2 pgs.\*  
 2 Pack Bestten Dimmer Light Switch, Universal Lighting Control, Single Pole or 3 Way; May 17, 2019; 2 pgs.\*  
 U.S. Appl. No. 29/709,969, filed Oct. 18, 2019 (unpublished).  
 U.S. Appl. No. 29/740,579, filed Jul. 6, 2020 (unpublished).  
 U.S. Appl. No. 29/786,079, filed May 28, 2021 (unpublished).  
 U.S. Appl. No. 29/794,154, filed Jun. 10, 2021 (unpublished).  
 U.S. Appl. No. 29/801,749, filed Jul. 30, 2021 (unpublished).

\* cited by examiner

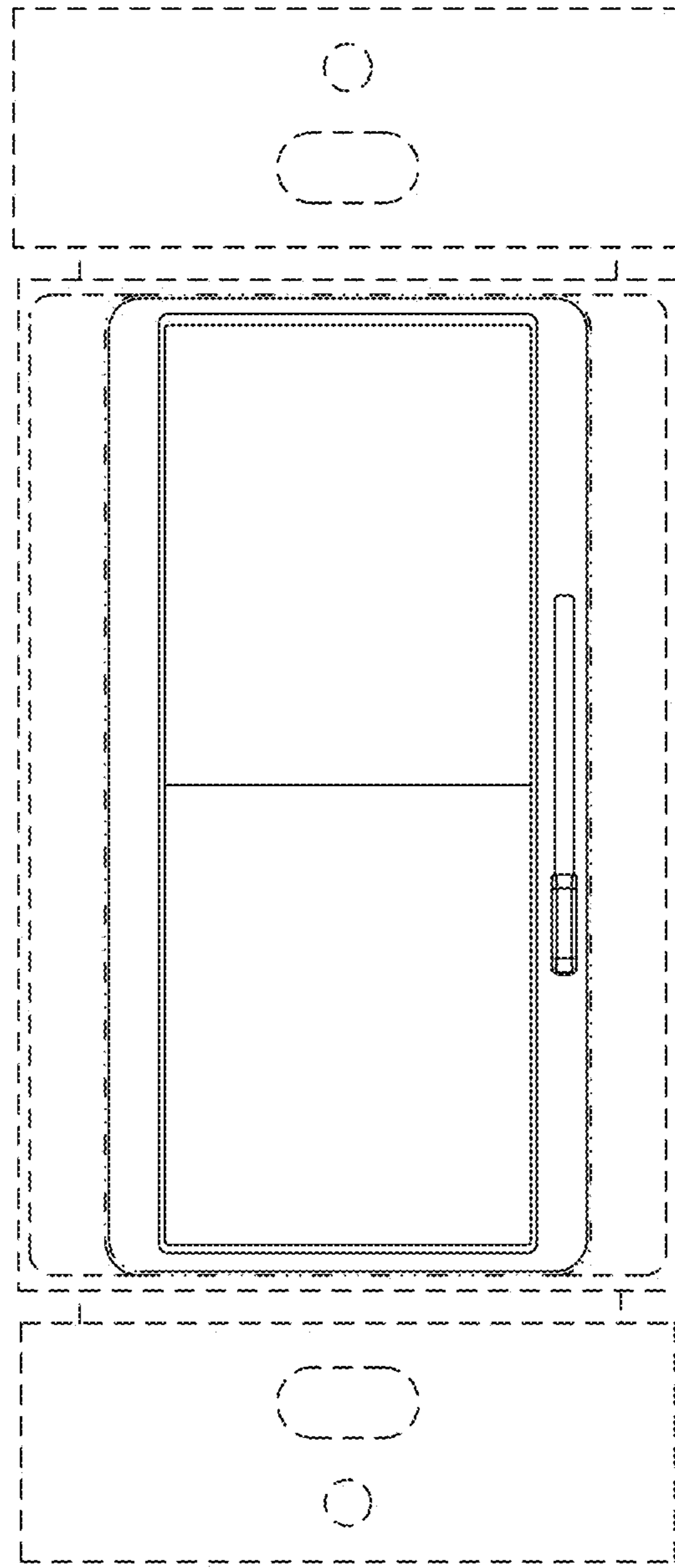


FIG. 1

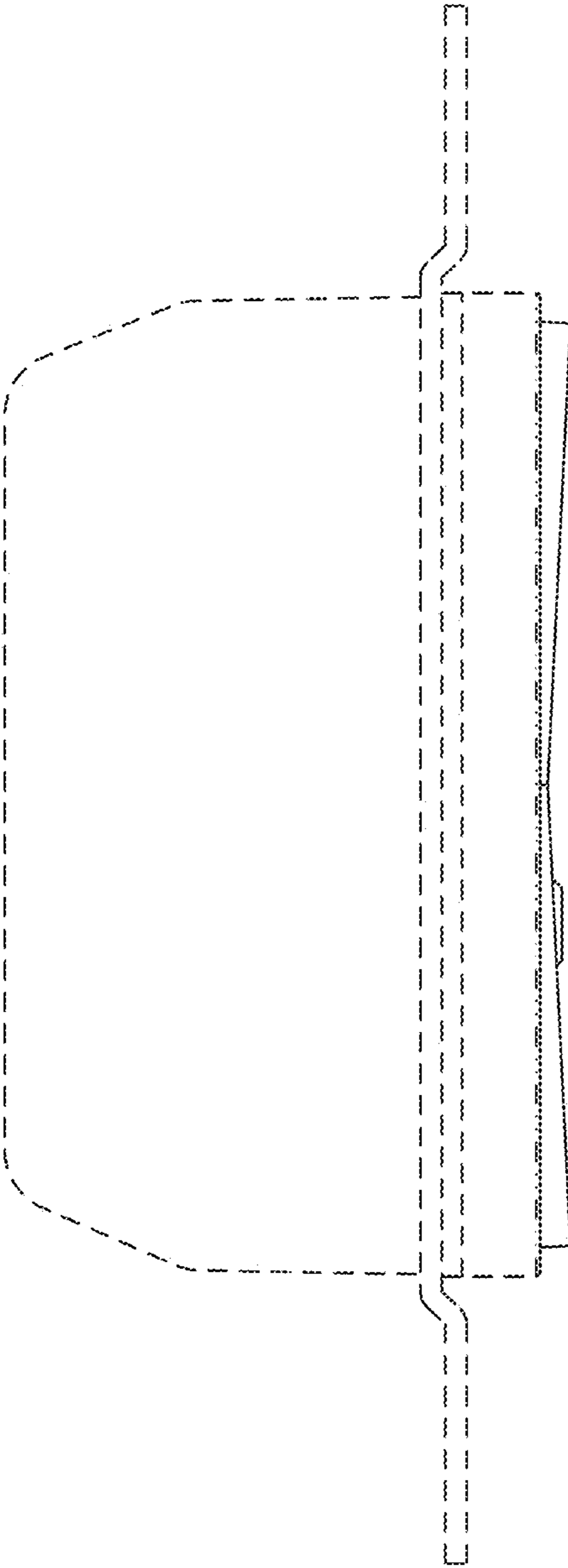


FIG. 2

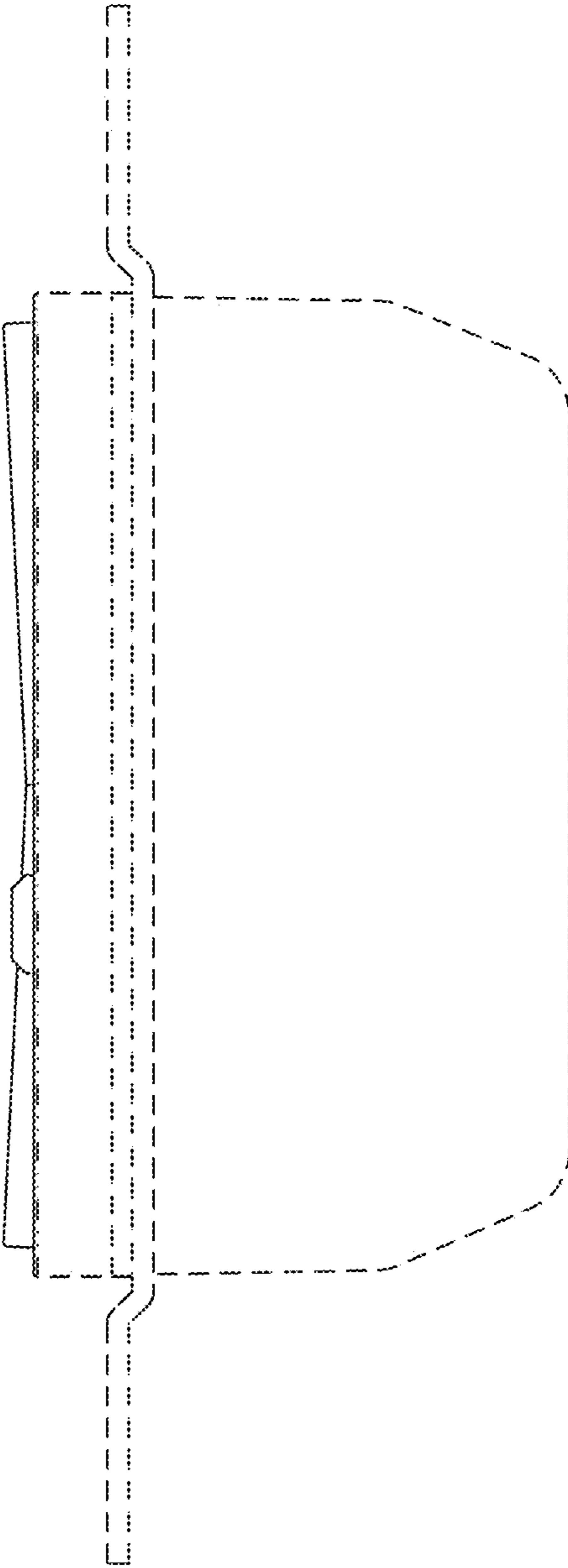


FIG. 3

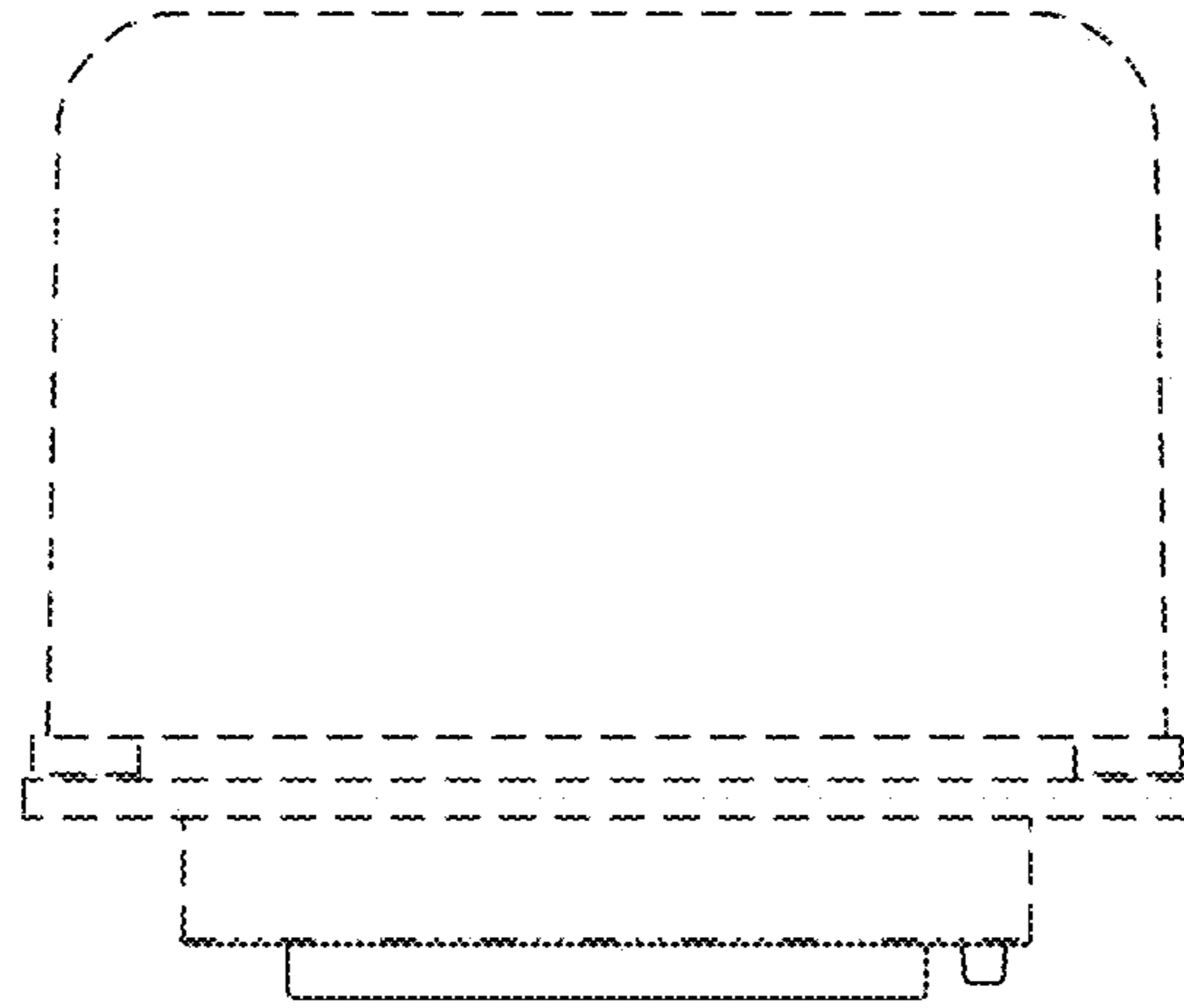


FIG. 4

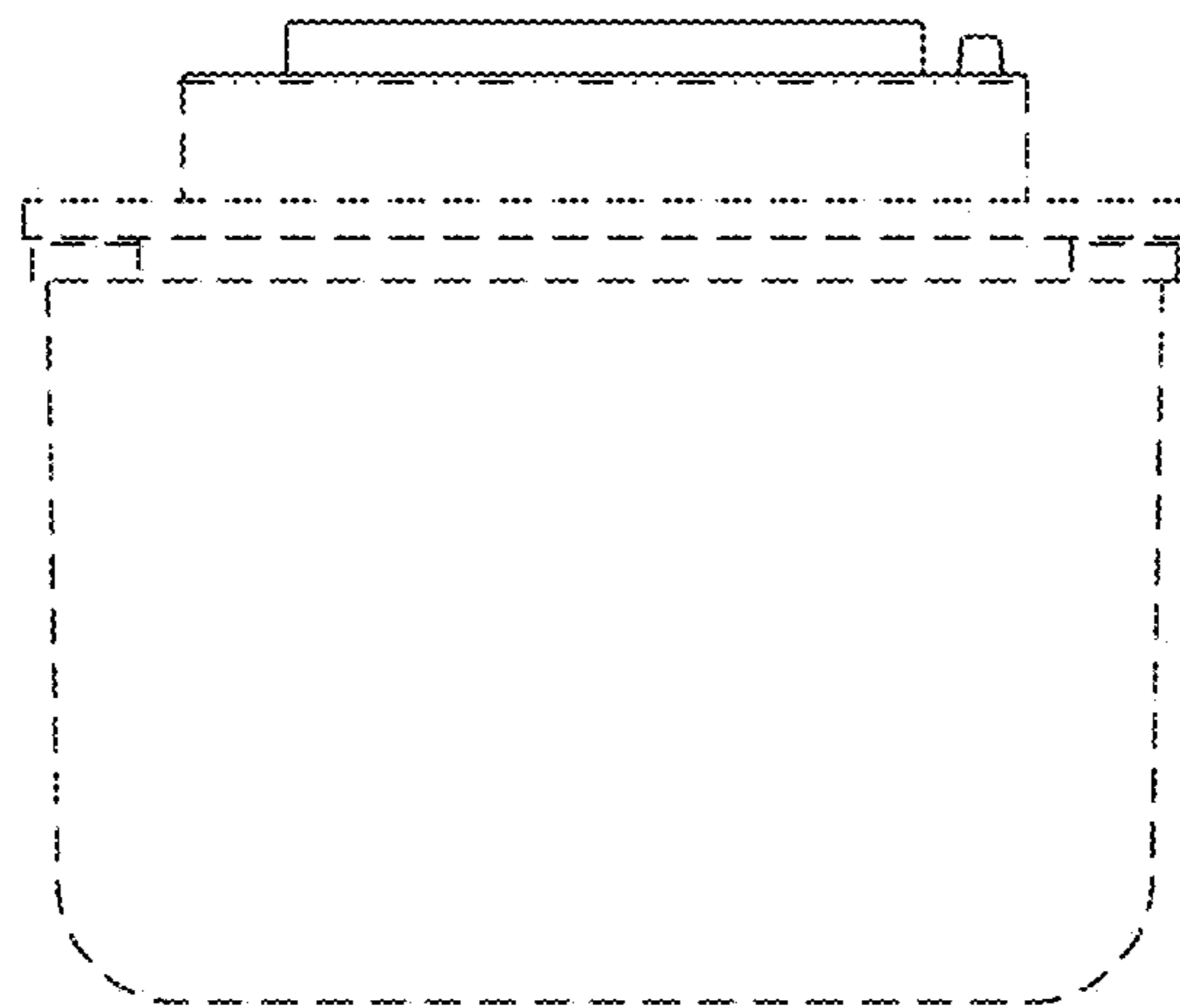


FIG. 5

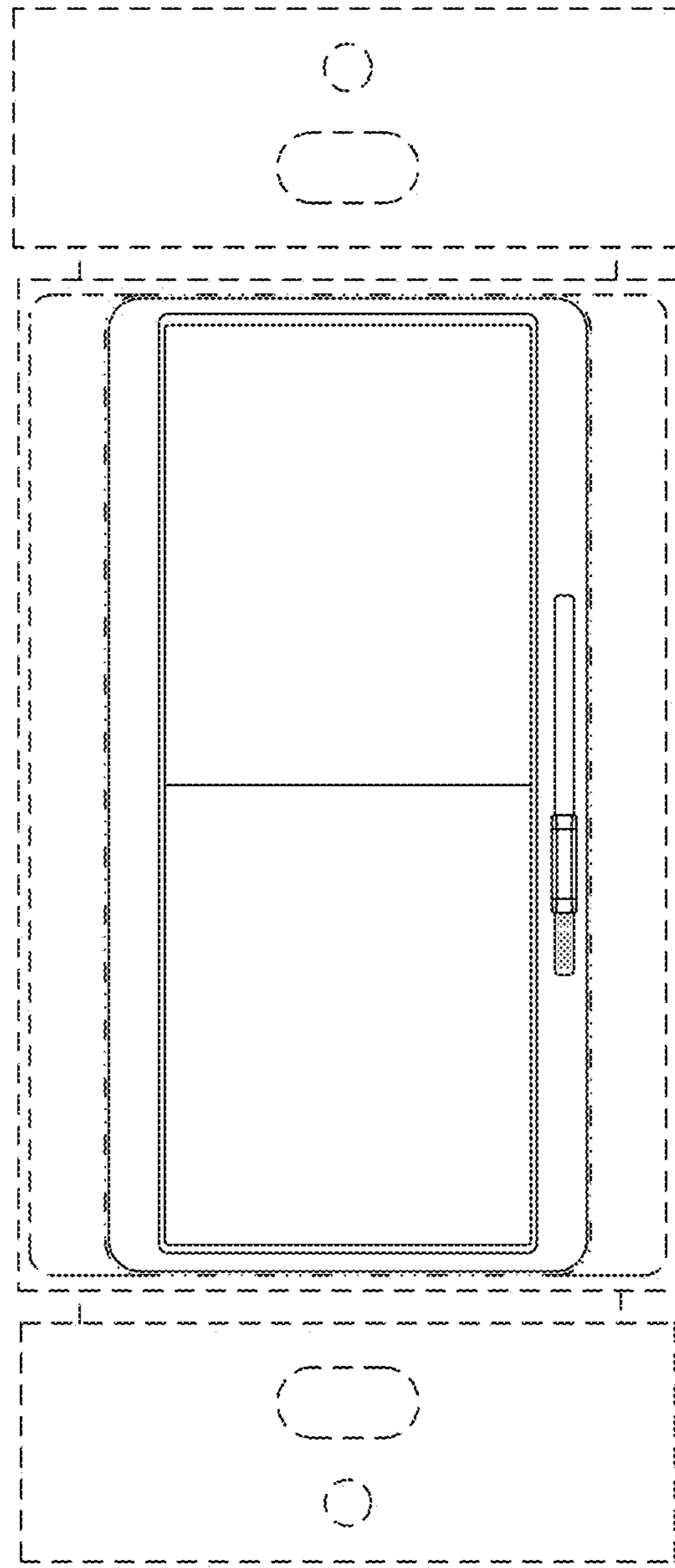


FIG. 6

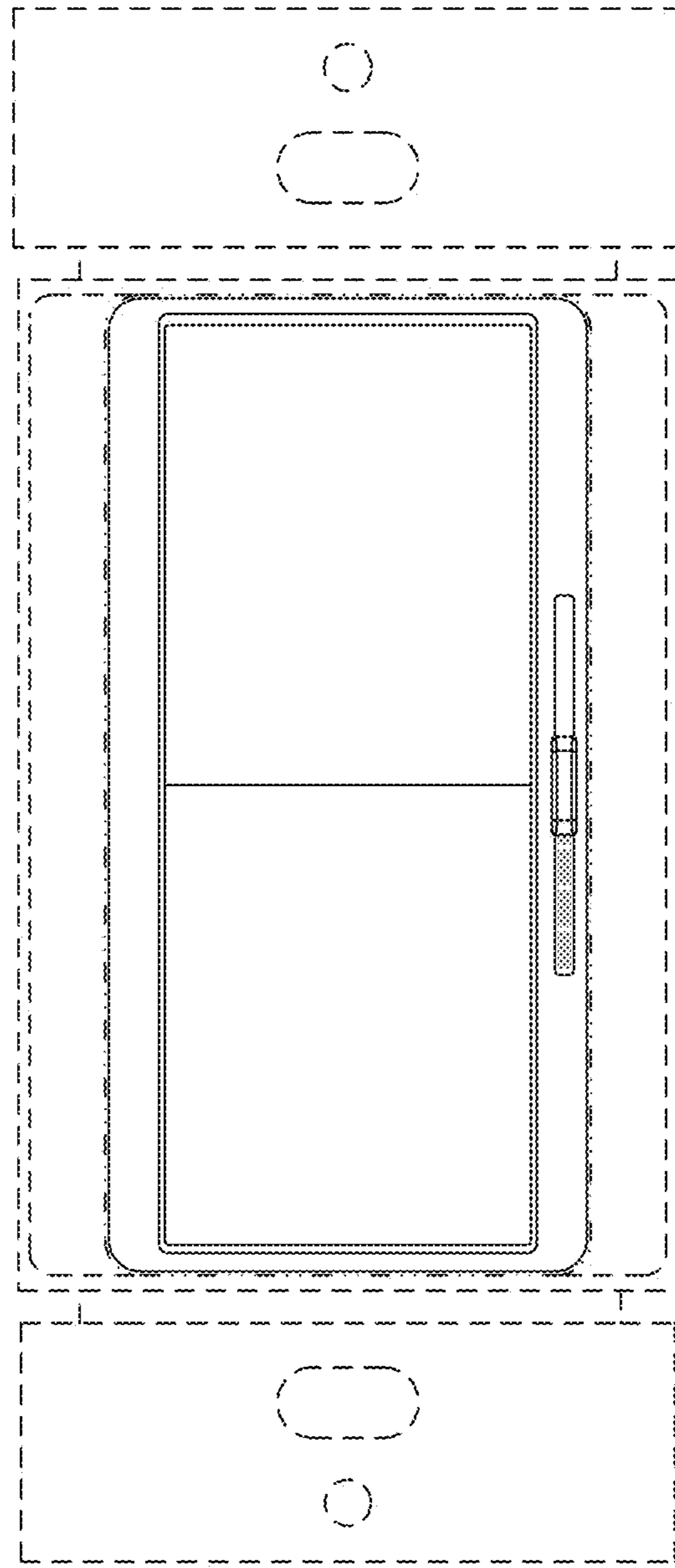


FIG. 7

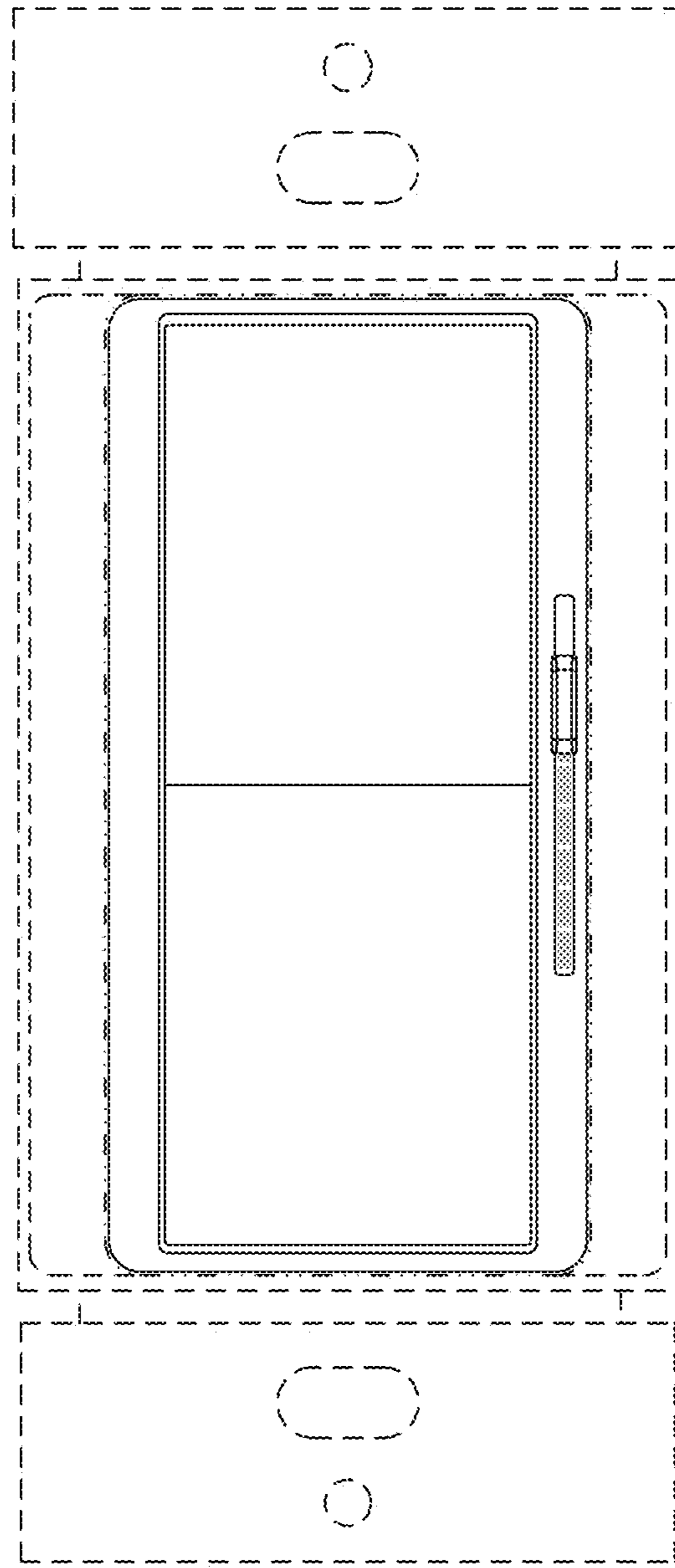


FIG. 8



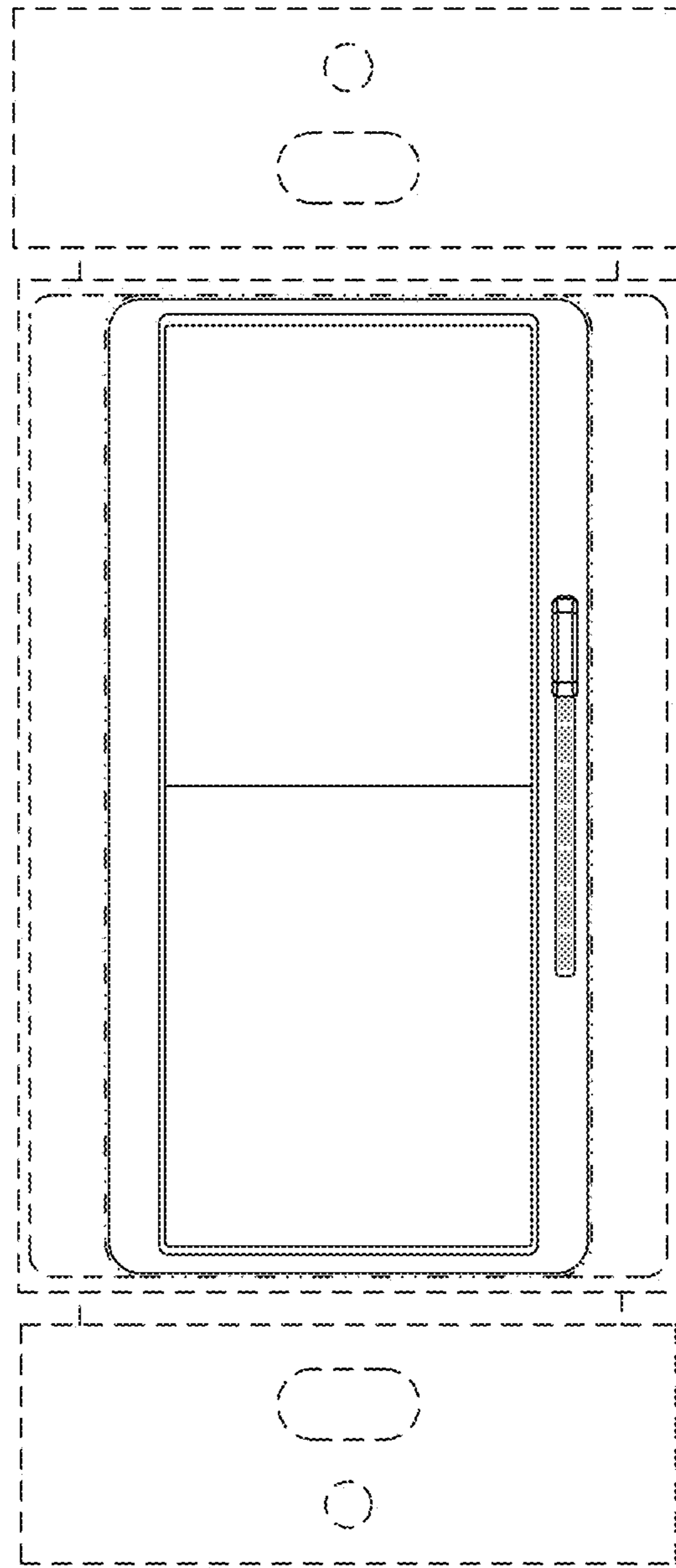


FIG. 9

UNITED STATES PATENT AND TRADEMARK OFFICE  
**CERTIFICATE OF CORRECTION**

PATENT NO. : D986,838 S  
APPLICATION NO. : 29/801752  
DATED : May 23, 2023  
INVENTOR(S) : Gregory Altonen et al.

Page 1 of 1

It is certified that error appears in the above-identified patent and that said Letters Patent is hereby corrected as shown below:

On the Title Page

(57) DESCRIPTION

Column 2 Line 17:

-The dashed broken lines illustrate portions of the control device which for no part of the claimed design.-

Should read:

--The dashed broken lines illustrate portions of the control device which form no part of the claimed design.--

Signed and Sealed this  
Eighteenth Day of July, 2023  
*Katherine Kelly Vidal*

Katherine Kelly Vidal  
*Director of the United States Patent and Trademark Office*