

US00D986837S

(12) **United States Design Patent**
Cai

(10) **Patent No.:** **US D986,837 S**

(45) **Date of Patent:** **** May 23, 2023**

- (54) **ELECTRICAL OUTLET SAFETY COVER**
- (71) Applicant: **Guodong Cai**, Shenzhen (CN)
- (72) Inventor: **Guodong Cai**, Shenzhen (CN)
- (**) Term: **15 Years**
- (21) Appl. No.: **29/860,169**
- (22) Filed: **Nov. 16, 2022**
- (51) **LOC (14) Cl.** **13-03**
- (52) **U.S. Cl.**
USPC **D13/156**
- (58) **Field of Classification Search**
USPC D8/382, 383; D13/156, 184
CPC H01R 13/447; H01R 13/5213; H01R
13/6395; H01R 13/443; H01R 2103/00;
H01R 25/006; H01R 31/06
See application file for complete search history.

- 6,806,426 B1 * 10/2004 Gretz H02G 3/14
174/67
- 6,897,381 B2 * 5/2005 He H01R 31/06
33/528
- D735,678 S * 8/2015 Wyatt D13/156
- D755,607 S * 5/2016 Baber D8/353
- D783,542 S * 4/2017 Marsden H01R 13/447
D13/156
- 10,587,067 B2 * 3/2020 Lager H01R 13/447
- D897,975 S * 10/2020 Lanter, Jr. D13/184
- 2006/0172607 A1 * 8/2006 Bangert H01R 25/003
439/638
- 2009/0176392 A1 * 7/2009 Moore H01R 13/447
439/148

* cited by examiner

Primary Examiner — Lauren R Calve

(74) *Attorney, Agent, or Firm* — Jeenam Park

(57) **CLAIM**

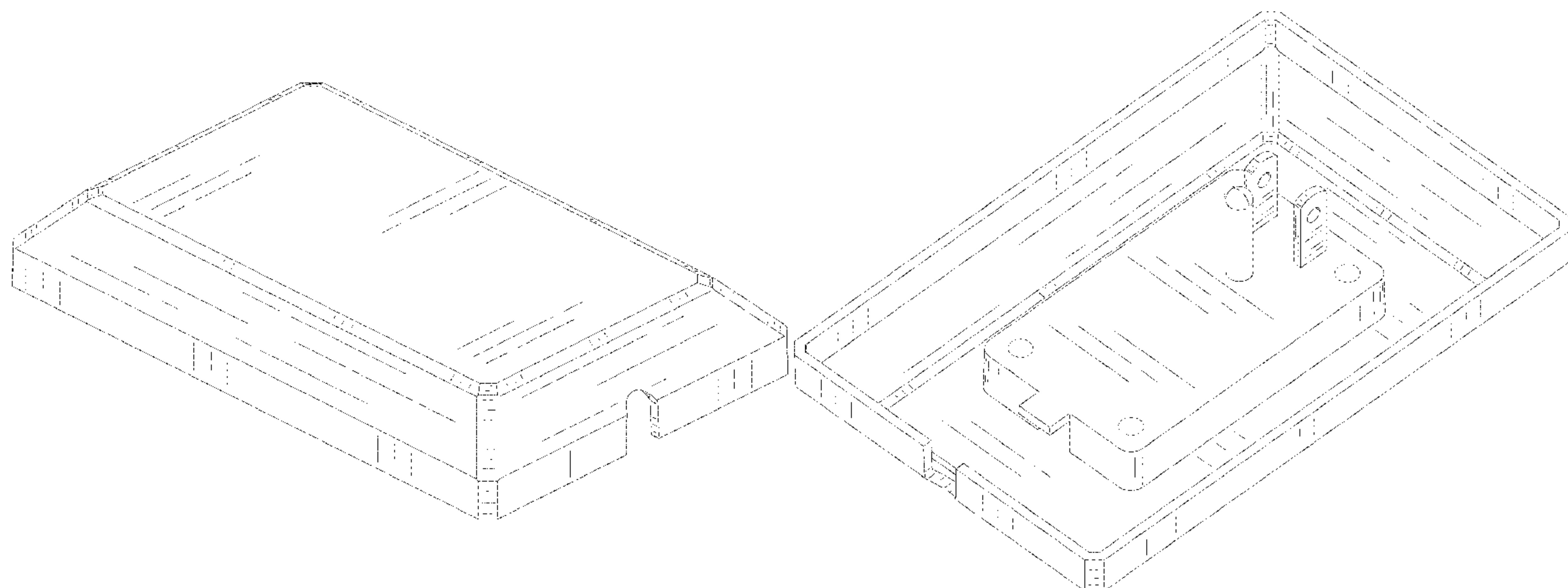
The ornamental design for an electrical outlet safety cover, as shown and described.

DESCRIPTION

FIG. 1 is a front, right and top perspective view of an electrical outlet safety cover, showing my new design; FIG. 2 is a rear, left and bottom perspective view thereof; FIG. 3 is a front view thereof; FIG. 4 is a rear view thereof; FIG. 5 is a left side view thereof; FIG. 6 is a right side view thereof; FIG. 7 is a top plan view thereof; FIG. 8 is a bottom plan view thereof; and, FIG. 9 is a perspective view in the using configuration thereof.

The broken lines shown in the drawings illustrate environmental subject matter and portions of the electrical outlet safety cover that form no part of the claimed design.

1 Claim, 9 Drawing Sheets



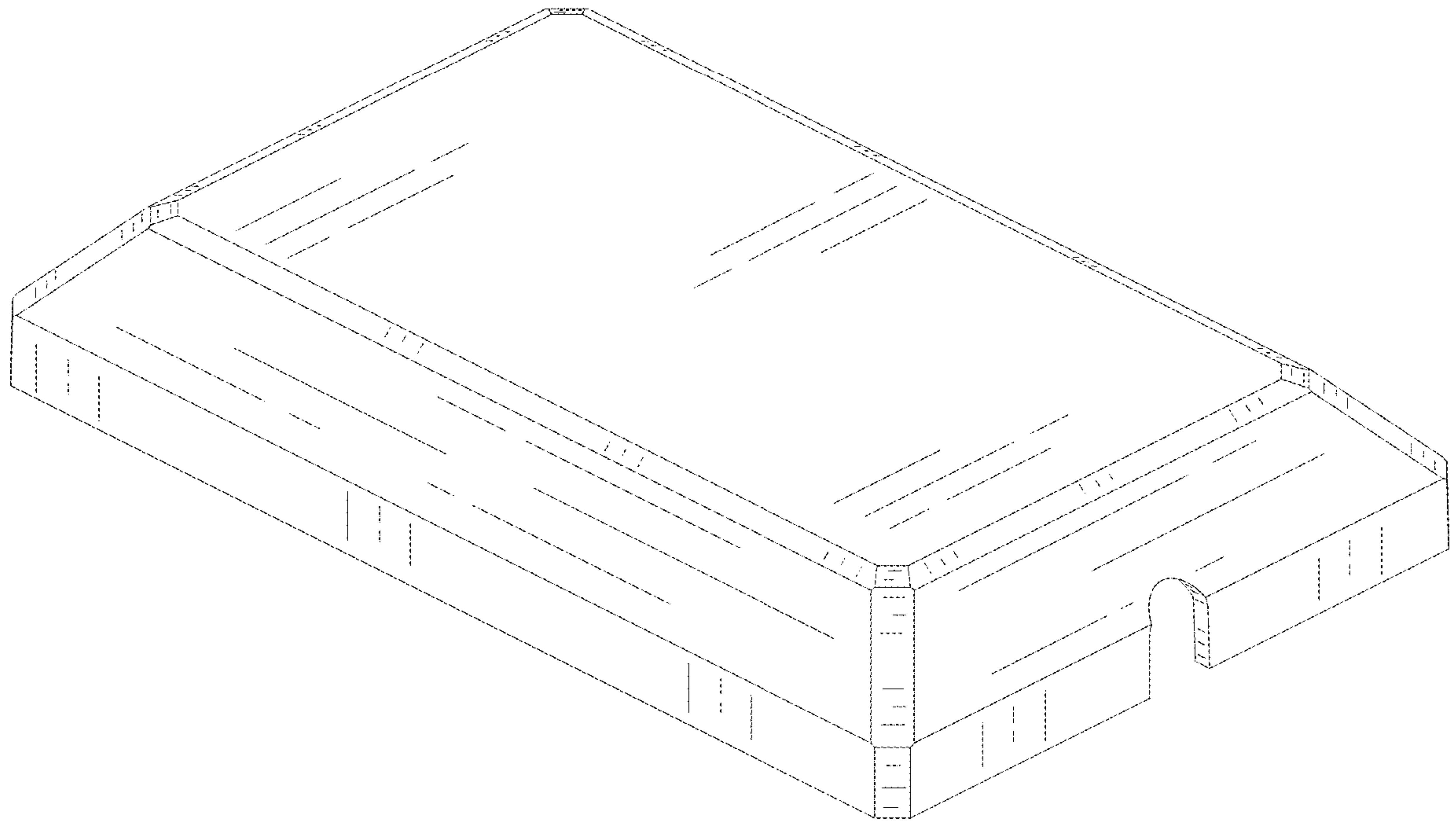


FIG. 1

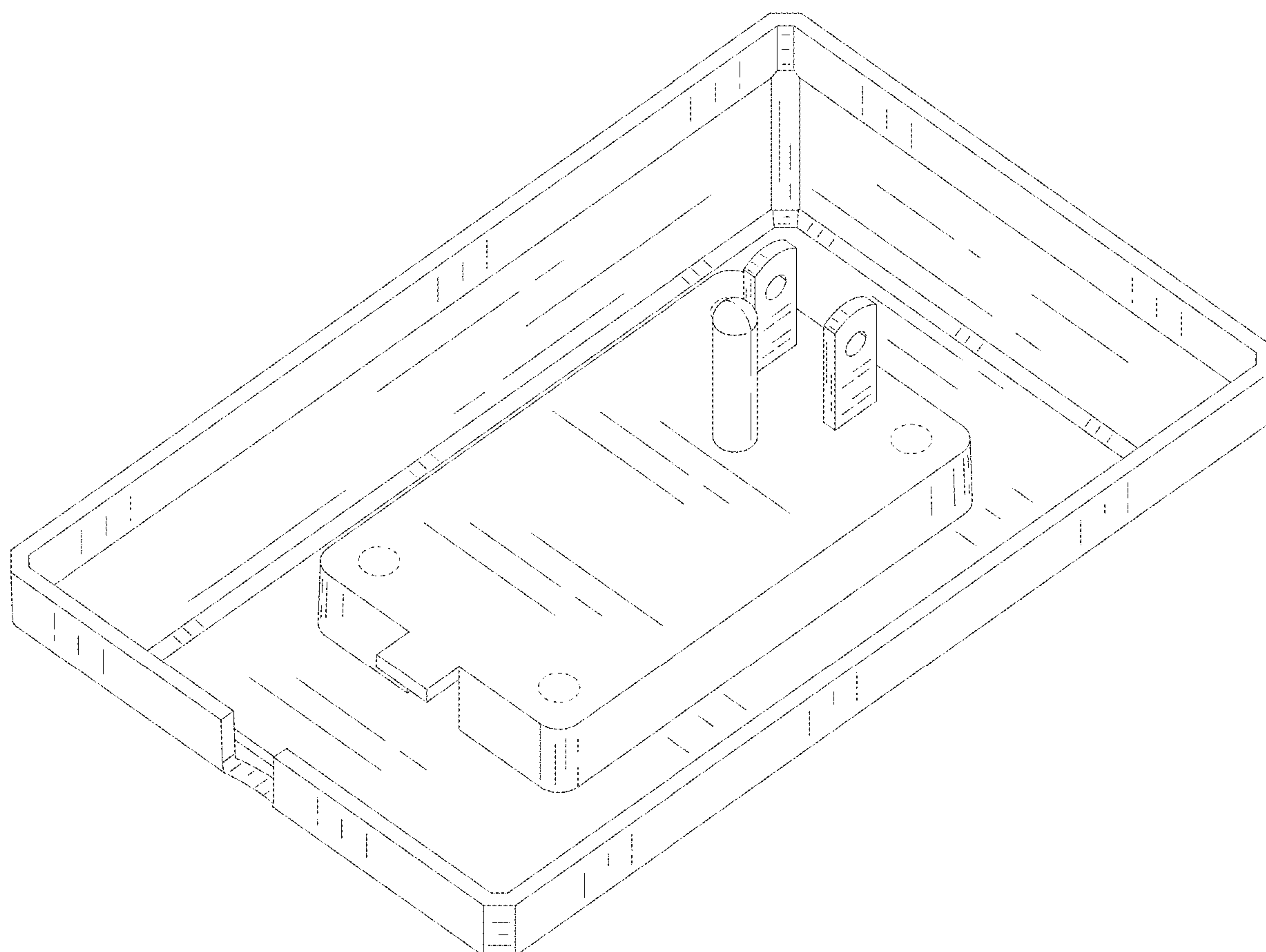


FIG. 2

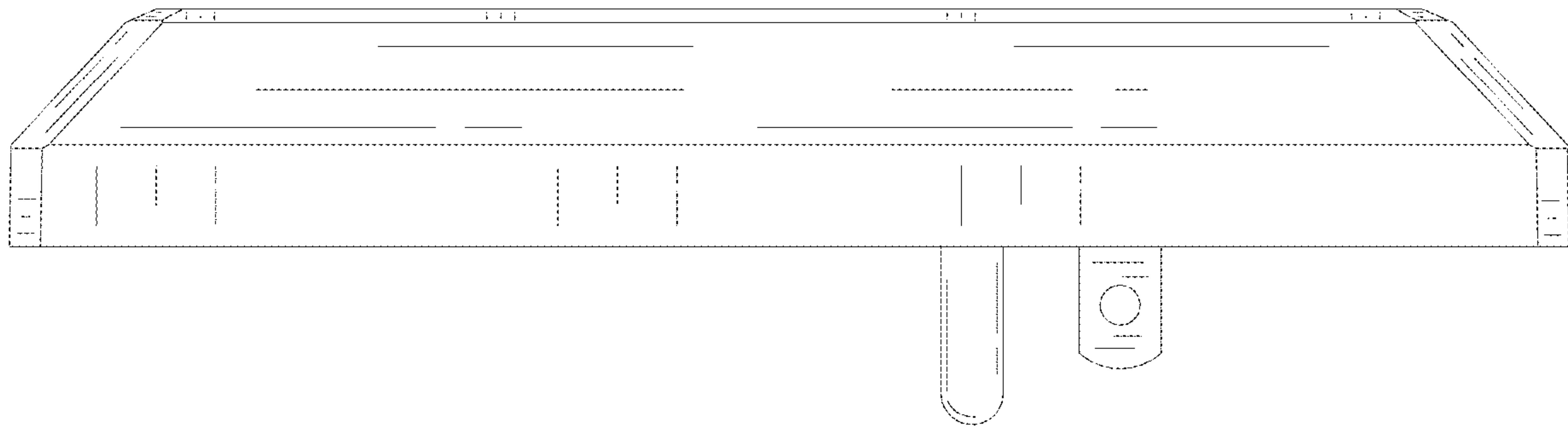


FIG. 3

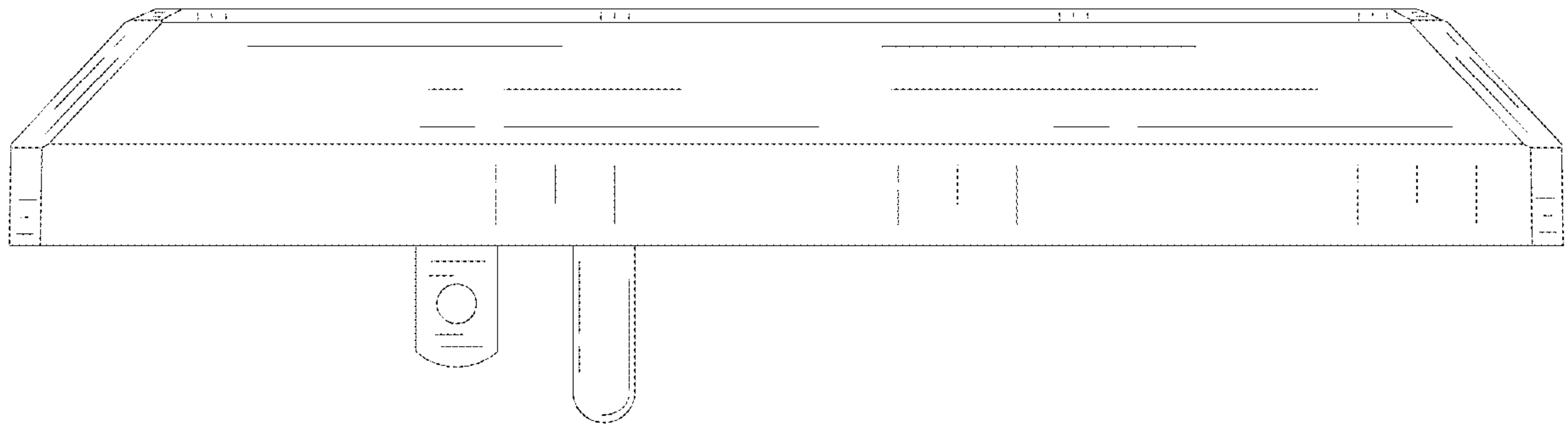


FIG. 4

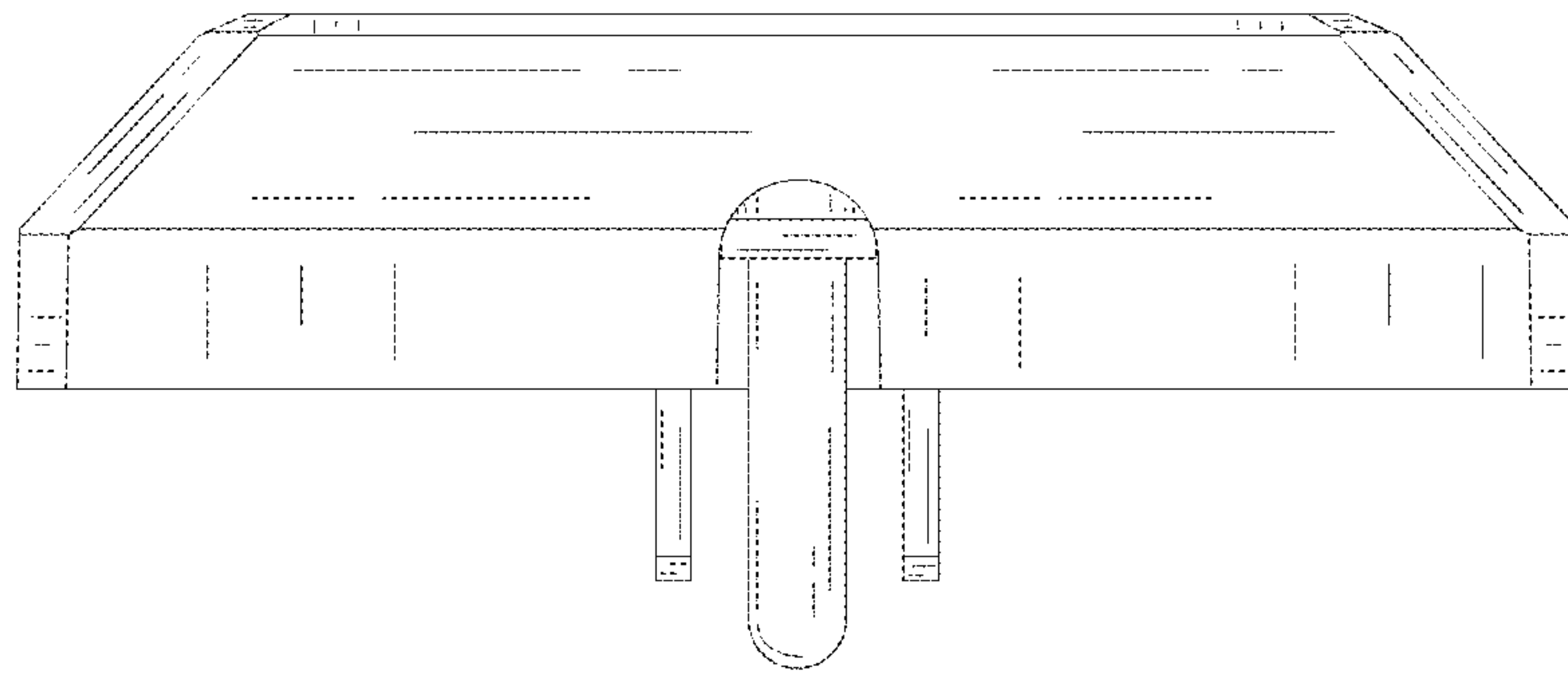


FIG. 5

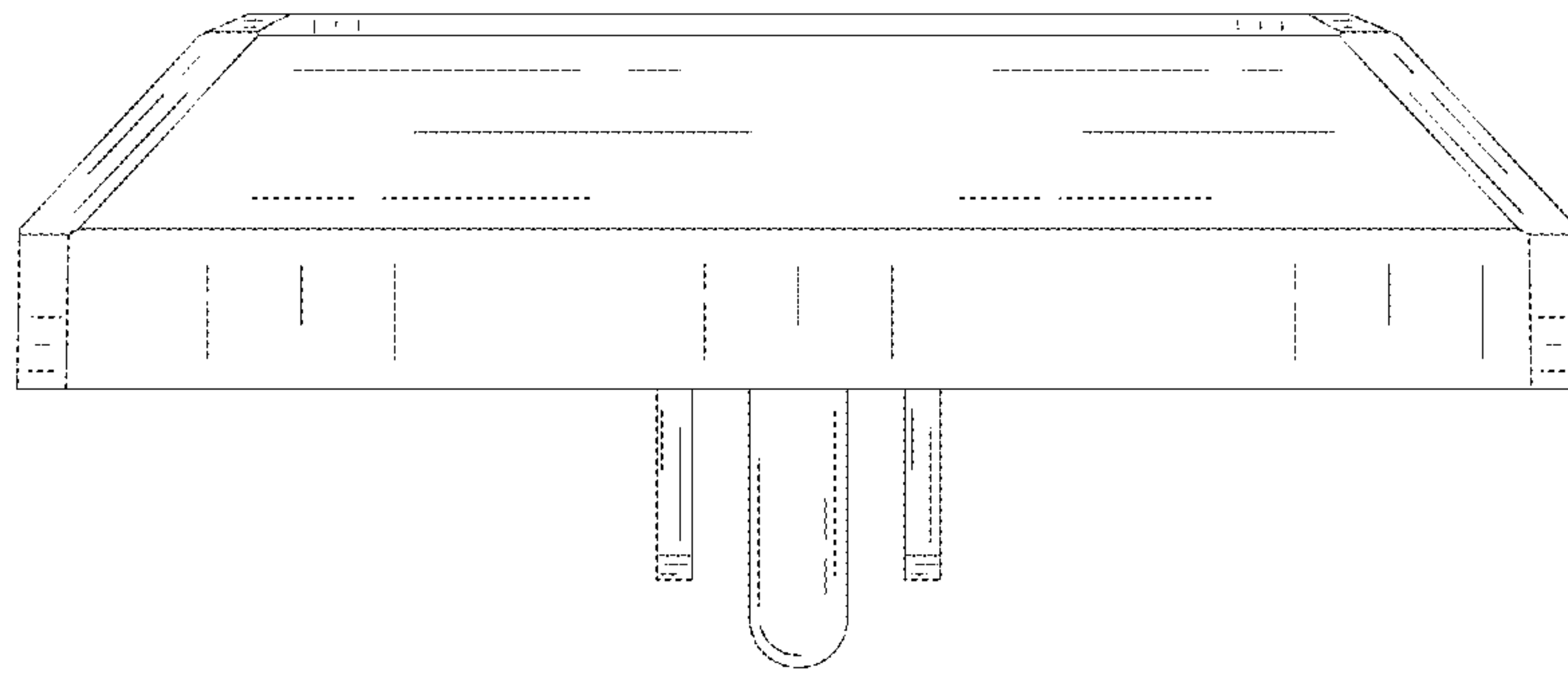


FIG. 6

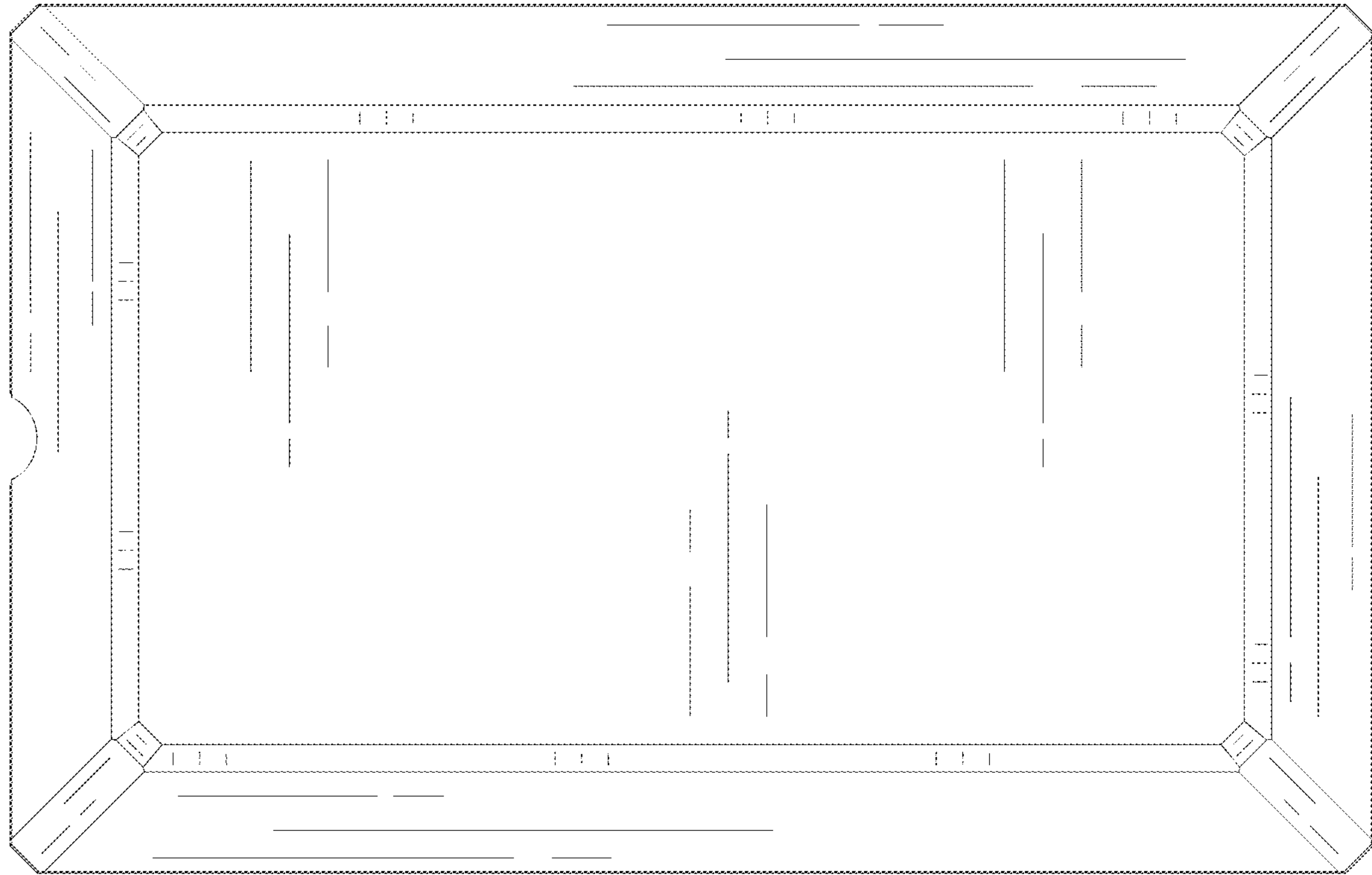


FIG. 7

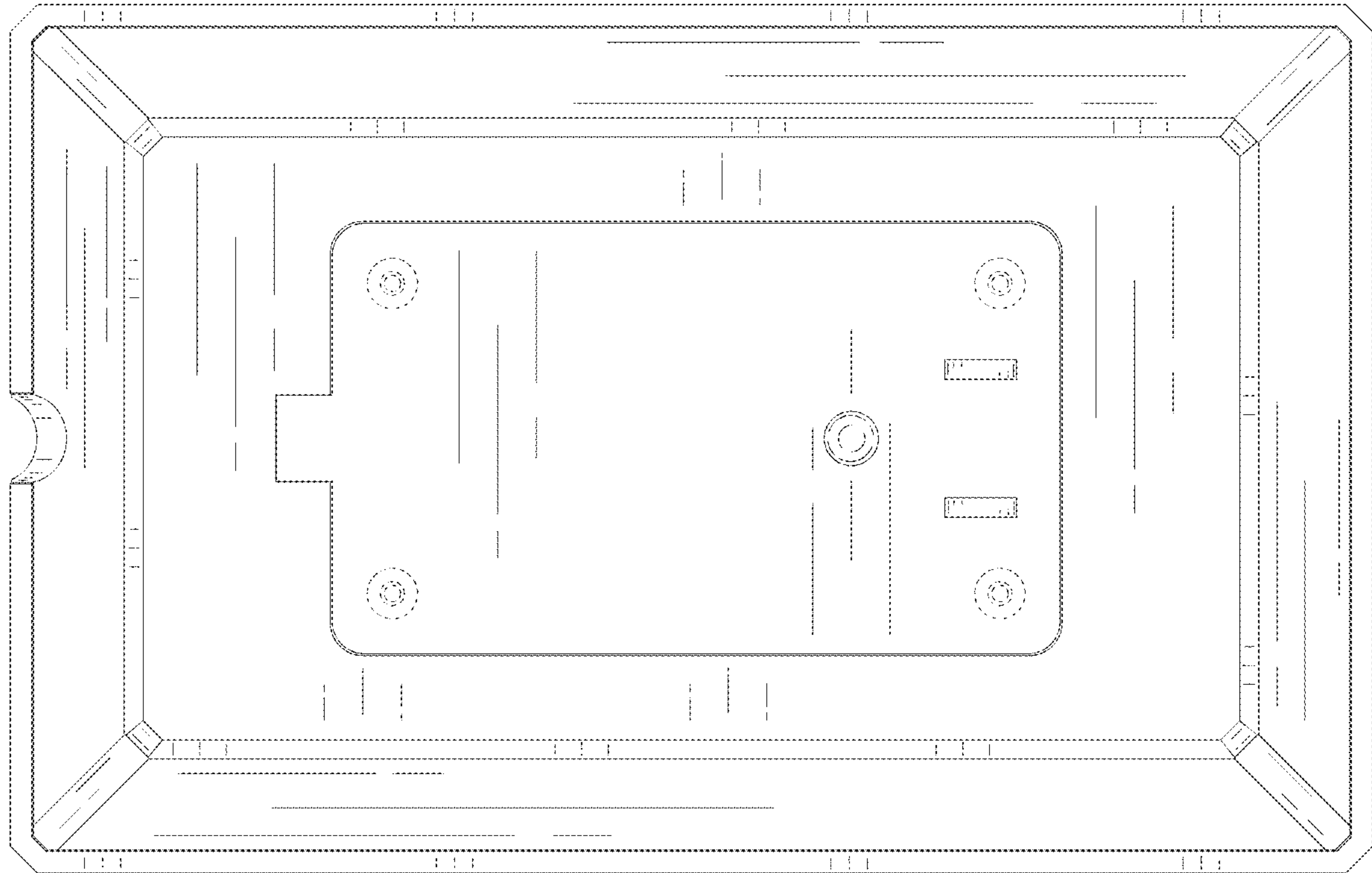


FIG. 8

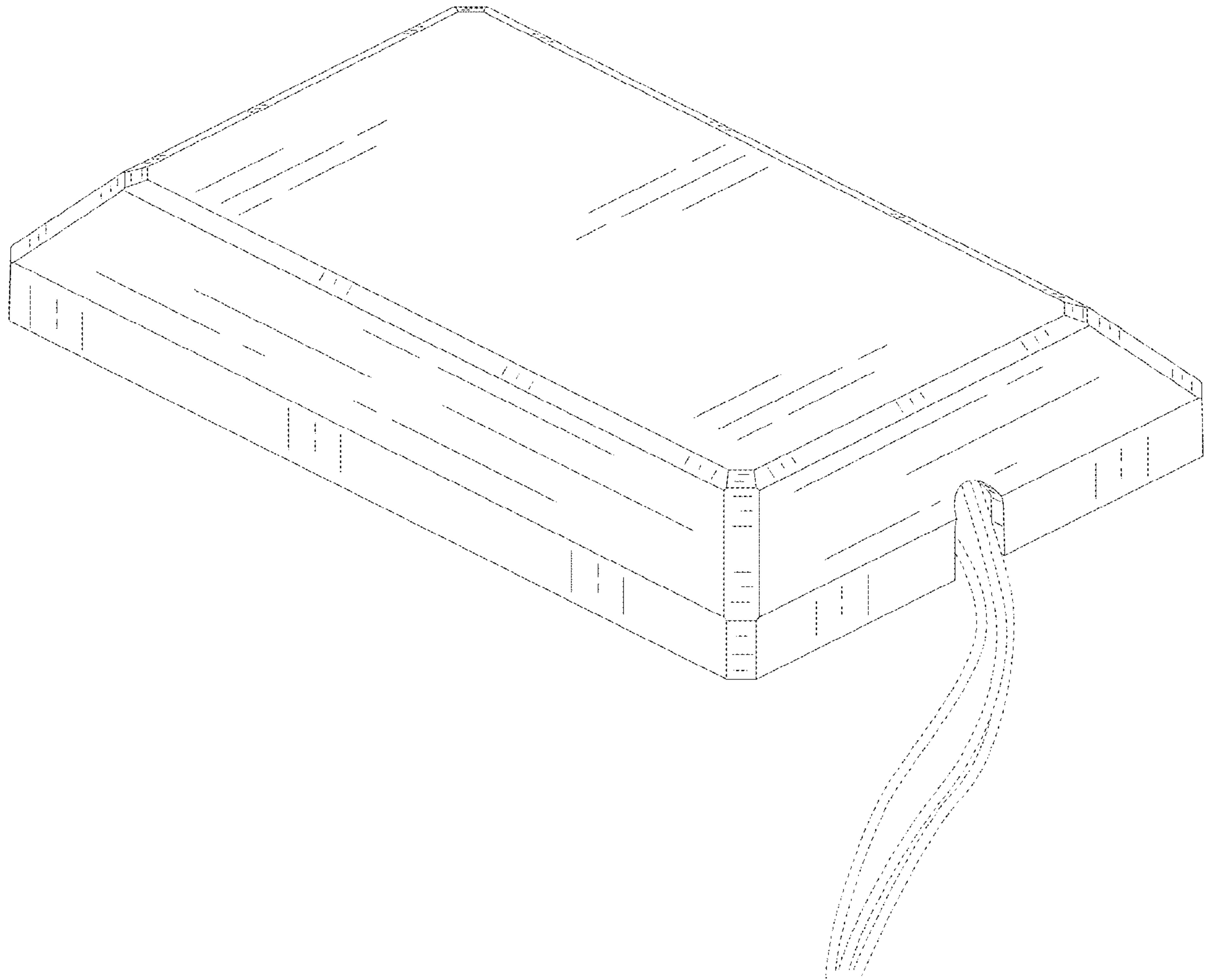


FIG. 9