



US00D986834S

(12) **United States Design Patent**
Djeu

(10) **Patent No.:** **US D986,834 S**

(45) **Date of Patent:** **** May 23, 2023**

(54) **HEXAGONAL FIBER WITH ROUNDED TIP**

(71) Applicant: **Derek Djeu**, Tampa, FL (US)

(72) Inventor: **Derek Djeu**, Tampa, FL (US)

(**) Term: **15 Years**

(21) Appl. No.: **29/824,532**

(22) Filed: **Jan. 25, 2022**

Related U.S. Application Data

(63) Continuation-in-part of application No. 29/722,969, filed on Feb. 3, 2020.

(51) **LOC (14) Cl.** **13-03**

(52) **U.S. Cl.**
USPC **D13/133**

(58) **Field of Classification Search**
USPC D13/118, 133, 199; D1/126, 127;
D24/133, 140; D26/27, 37, 38, 39;
D8/21, 347; D22/109, 110, 199
CPC C03B 37/01; C03B 37/075; G02B 1/00;
G02B 5/003; G02B 5/0215; G02B
5/0252; G02B 6/00
See application file for complete search history.

(56) **References Cited**

U.S. PATENT DOCUMENTS

- D242,796 S * 12/1976 Ross D22/109
- D393,306 S * 4/1998 Couper D22/109
- D455,510 S * 4/2002 Galli D26/37
- 6,383,588 B1 * 5/2002 You A01K 87/00
D22/137
- D464,545 S * 10/2002 Marty D8/21
- D486,723 S * 2/2004 Chang D8/21
- D543,257 S * 5/2007 Kaempfe D22/199
- D552,949 S * 10/2007 Strahorn D8/21
- D557,572 S * 12/2007 Kirsch D7/651

- D600,520 S * 9/2009 Uchida D8/21
- 7,603,931 B1 * 10/2009 Powell B25B 15/008
81/439
- D646,547 S * 10/2011 DeBaker B25B 15/008
D8/86

(Continued)

OTHER PUBLICATIONS

TRUGLO Replacement Fibers for Firearm and Archery Fiber Optic Sights, www.Amazon.com, available for sale since at least May 4, 2011, online. Site visited on Jan. 27, 2023. URL:<"https://www.amazon.com/TRUGLO-Replacement-Optics-Multiple-Colors/dp/B004Z5BSDE/"> (Year: 2011).*

Primary Examiner — Llorellys Martinez

(74) *Attorney, Agent, or Firm* — QuickPatents, LLC; Kevin Prince

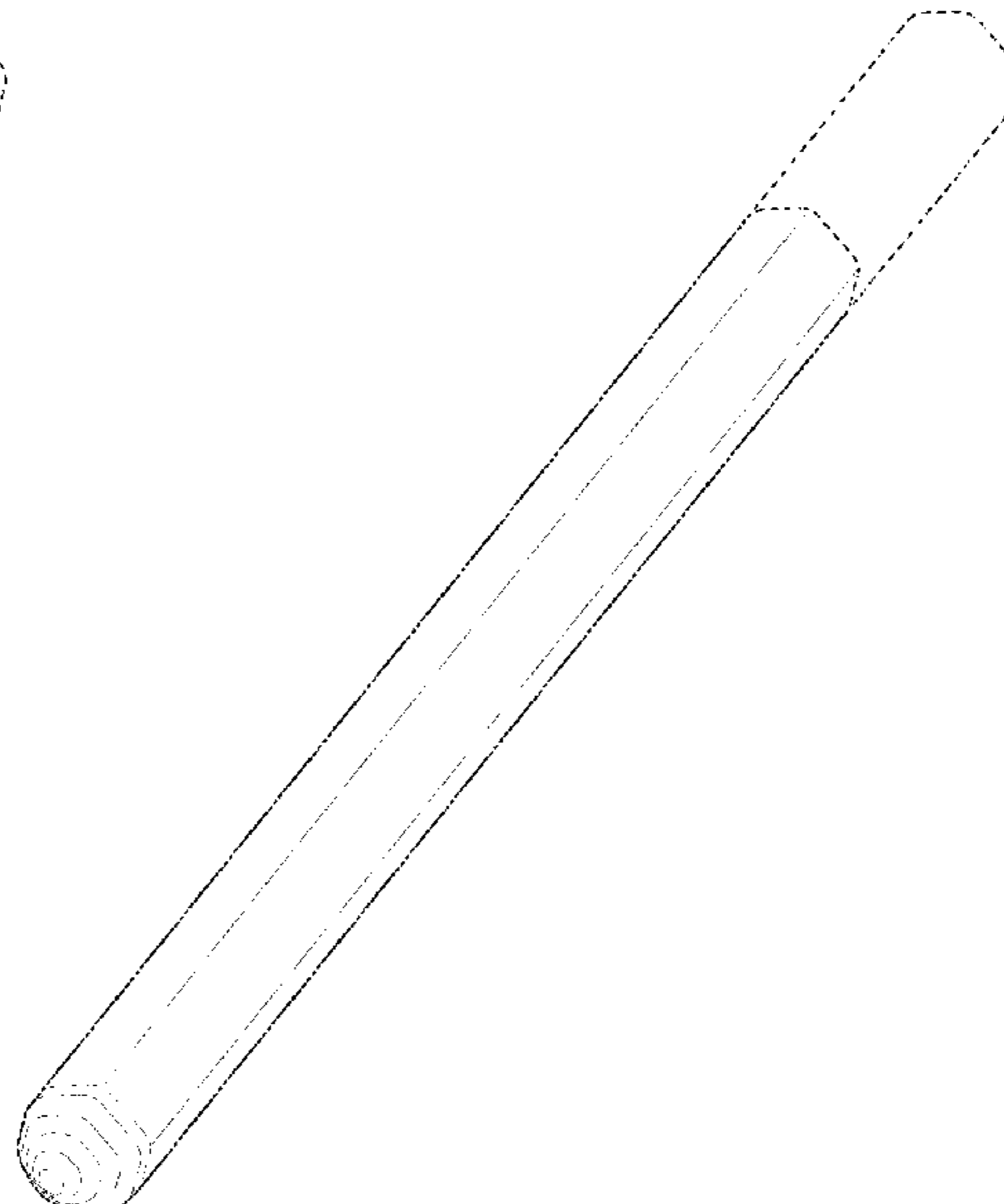
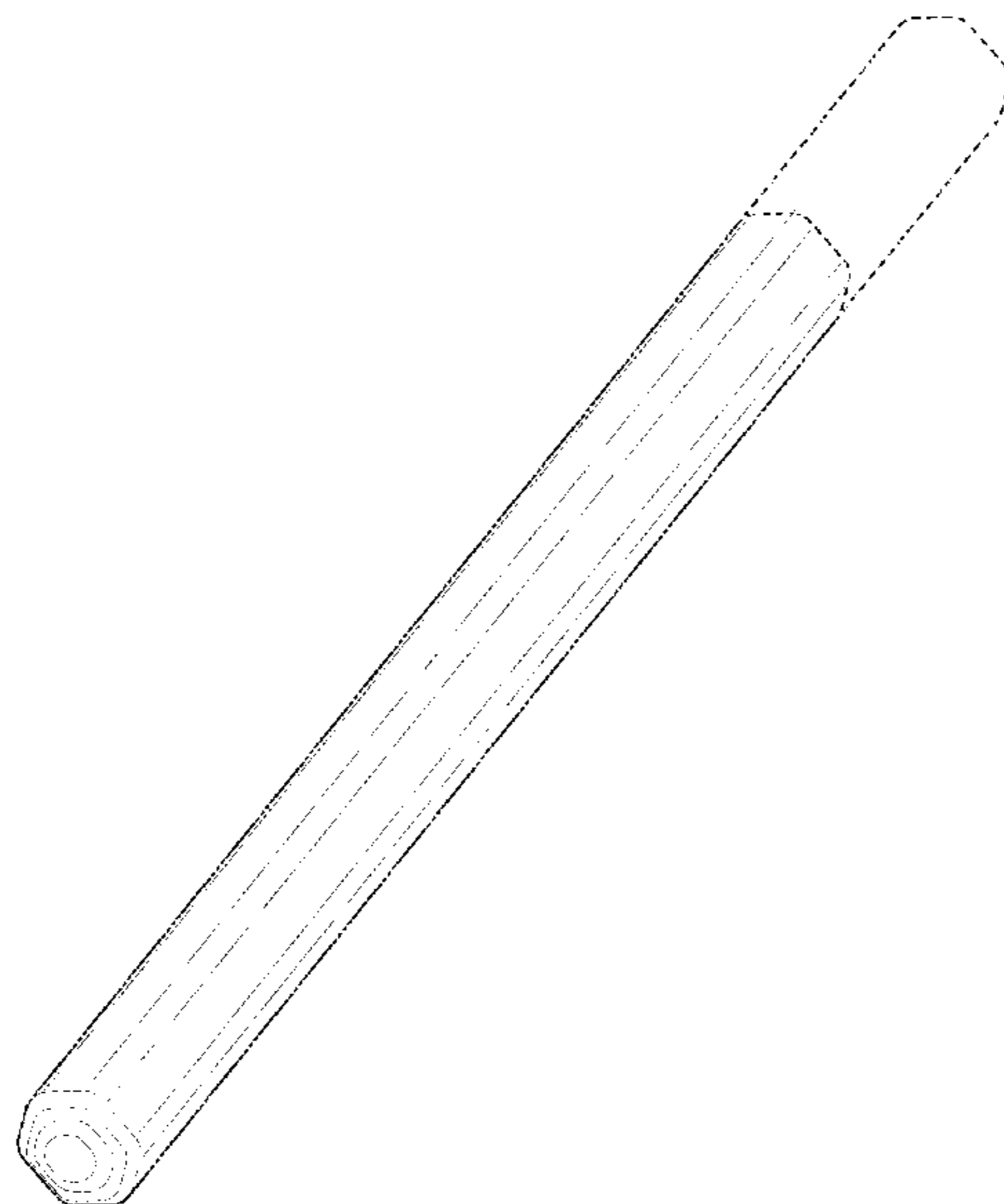
(57) **CLAIM**

The ornamental design for a hexagonal fiber with rounded tip, as shown and described.

DESCRIPTION

FIG. 1 is a perspective view of a hexagonal fiber with rounded tip, showing a first embodiment of my new design; FIG. 2 is a top plan view of FIG. 1, the bottom plan view being a mirror image thereof; FIG. 3 is a left-side elevational view of FIG. 1, the right-side elevational view being a mirror image thereof; FIG. 4 is a front elevational view of FIG. 1; FIG. 5 is a rear elevational view of FIG. 1; FIG. 6 is a perspective view of a second embodiment thereof; FIG. 7 is a top plan view of FIG. 5, the bottom plan view being a mirror image thereof; FIG. 8 is a left-side elevational view of FIG. 5, the right-side elevational view being a mirror image thereof; FIG. 9 is a front elevational view of FIG. 5; and, FIG. 10 is a rear elevational view of FIG. 5. The broken lines depict portions of the hexagonal fiber with rounded tip that form no part of the claimed design.

1 Claim, 4 Drawing Sheets



(56)

References Cited

U.S. PATENT DOCUMENTS

D768,448 S * 10/2016 Chen D8/21
D859,310 S * 9/2019 Djeu D13/133

* cited by examiner

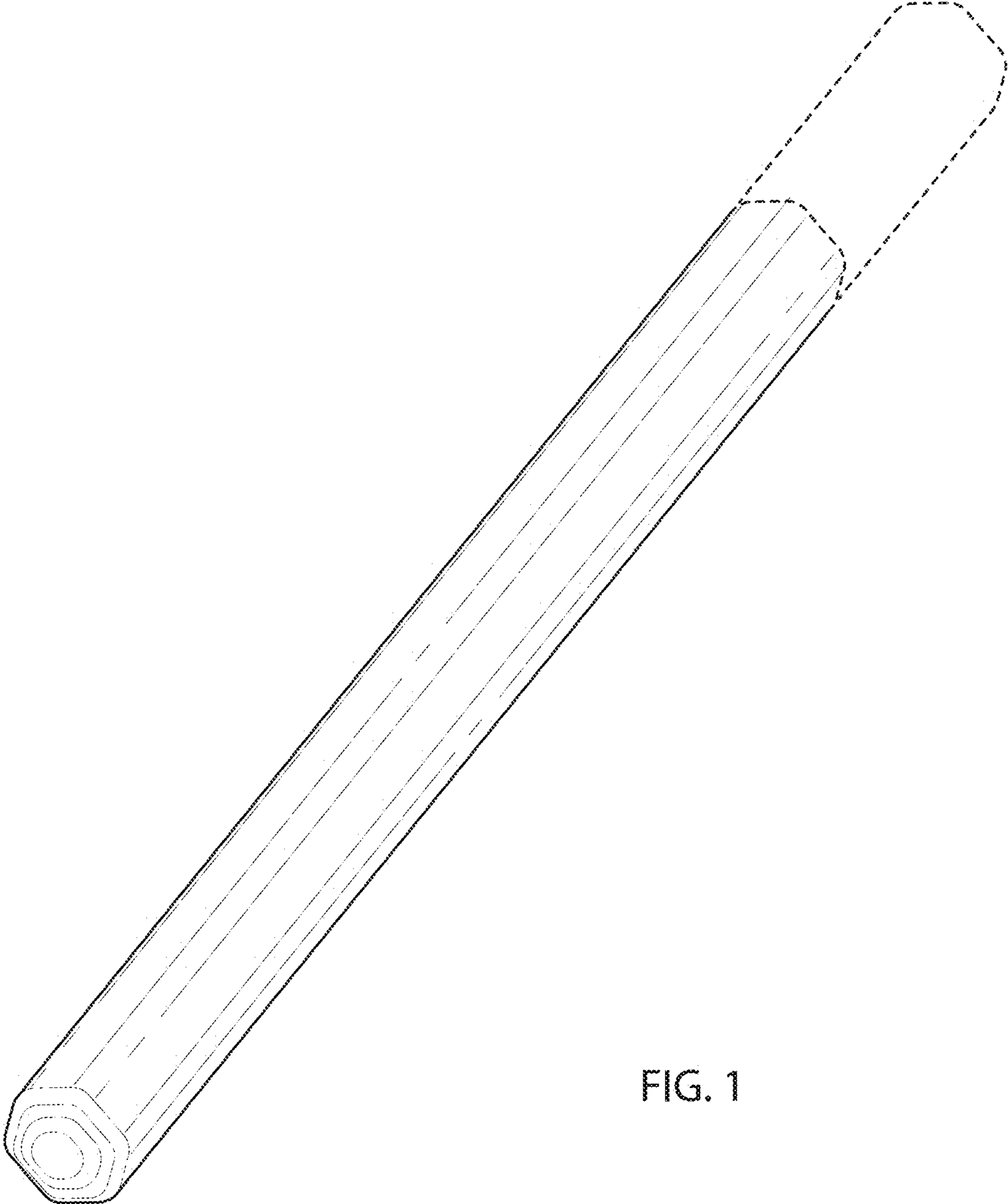


FIG. 1

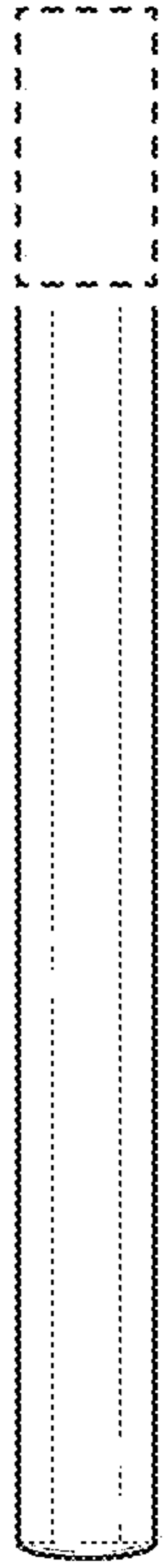


FIG. 2

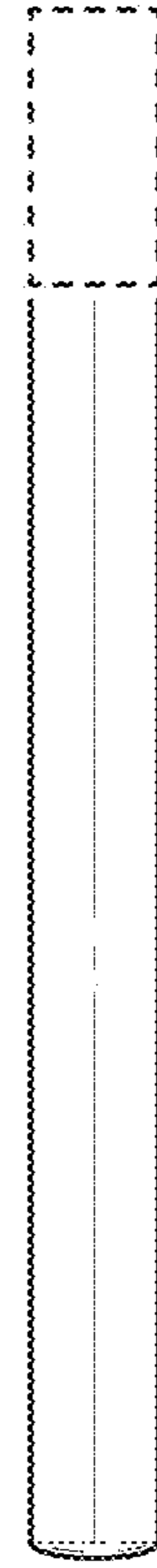


FIG. 3

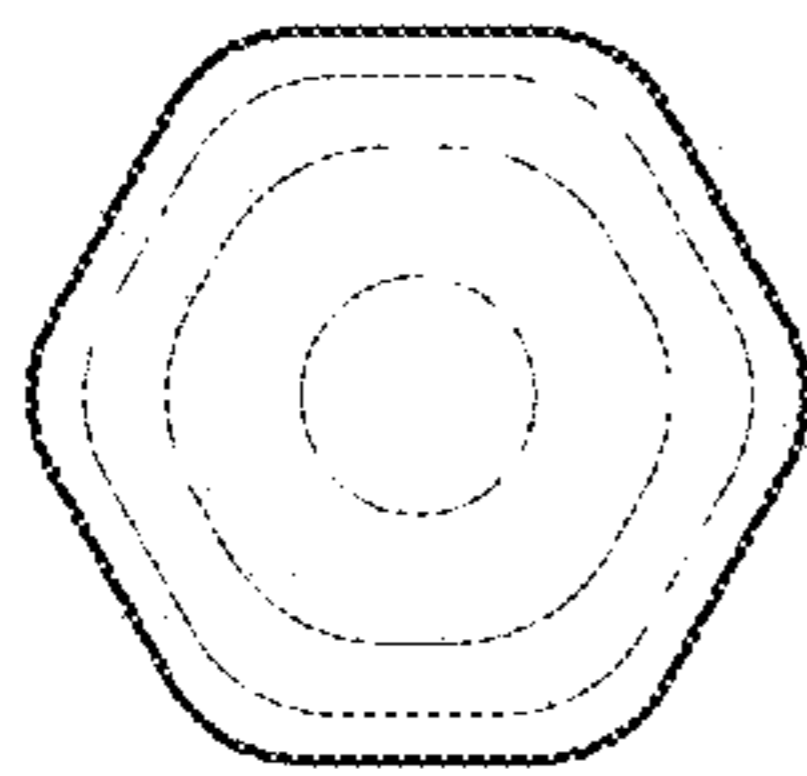


FIG. 4

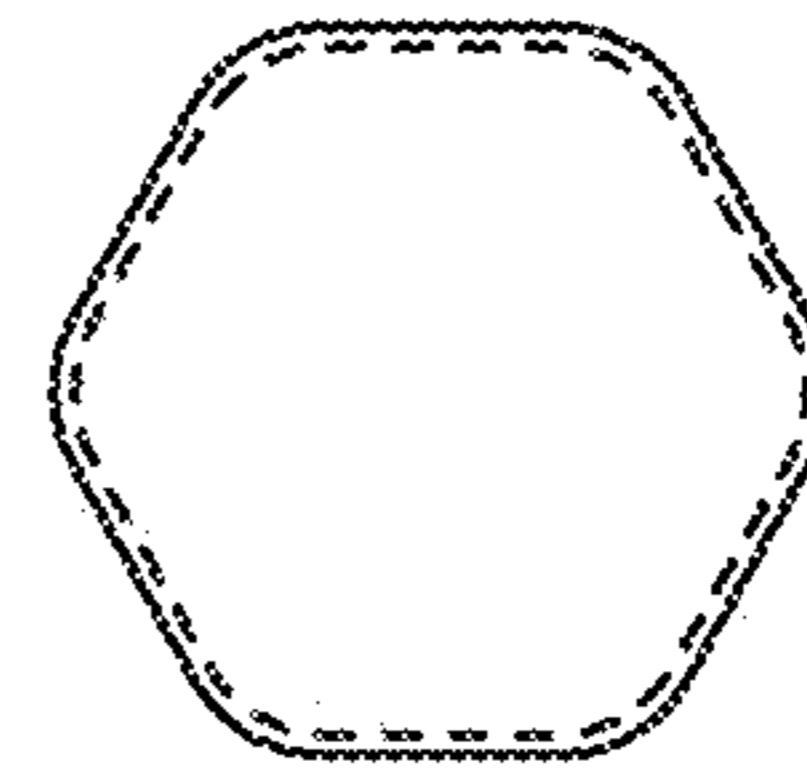


FIG. 5

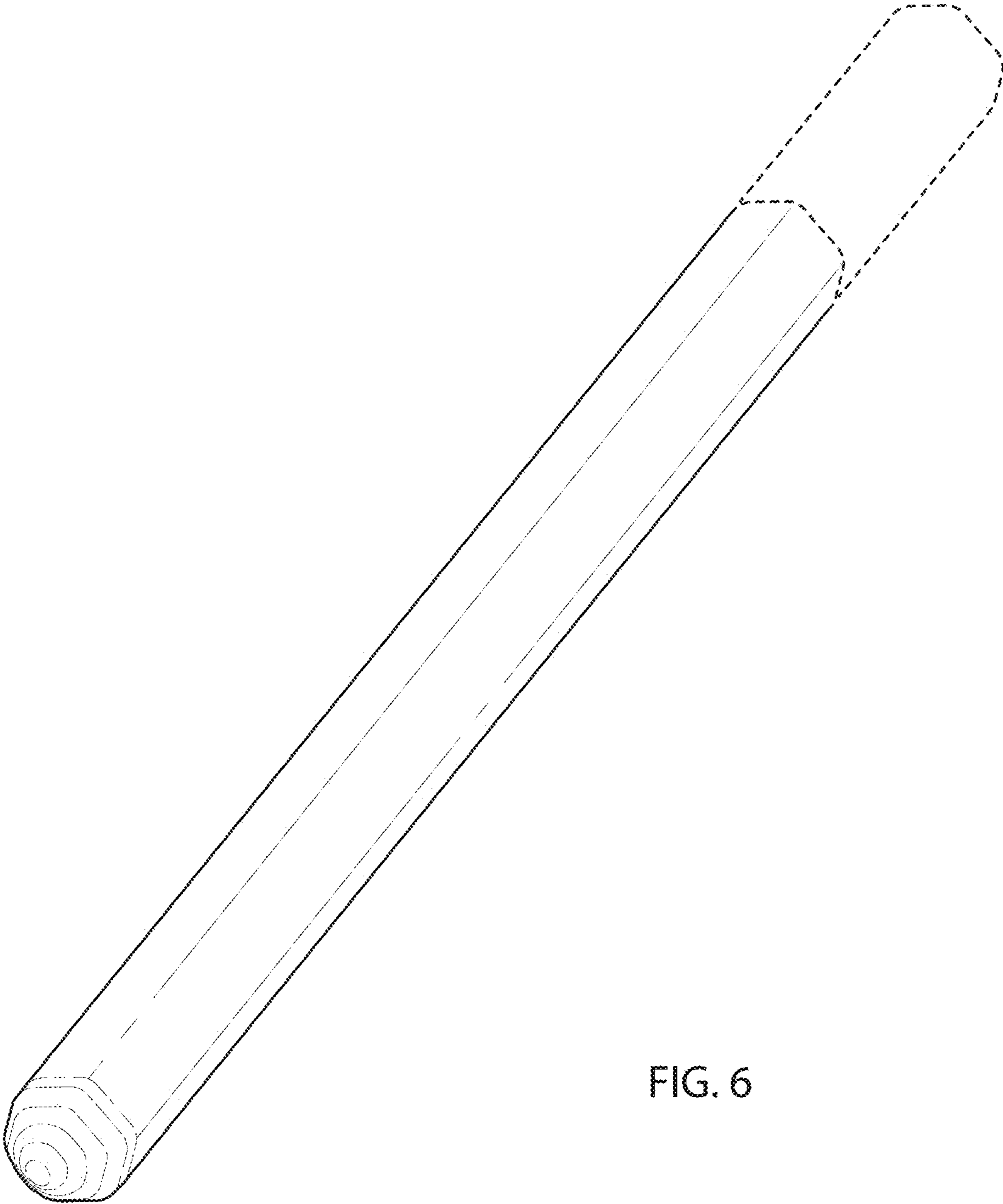


FIG. 6

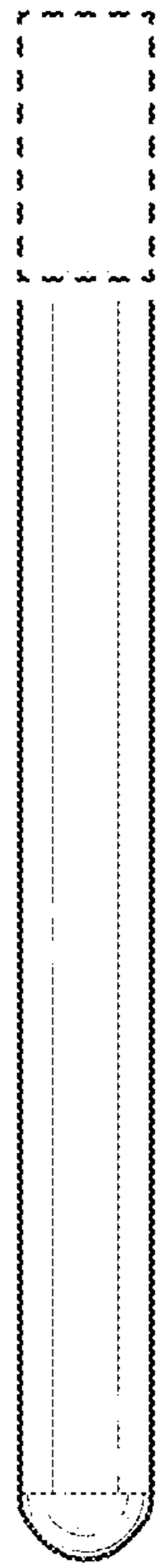


FIG. 7

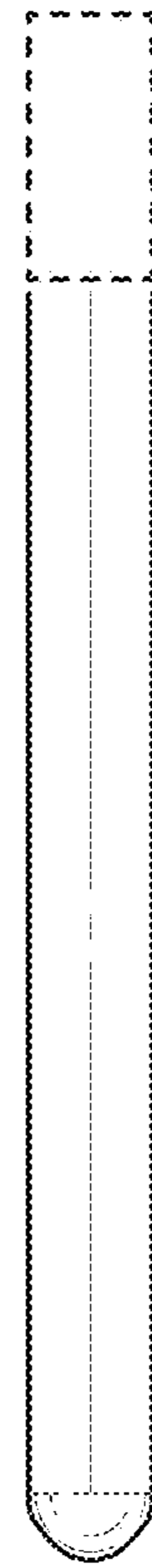


FIG. 8

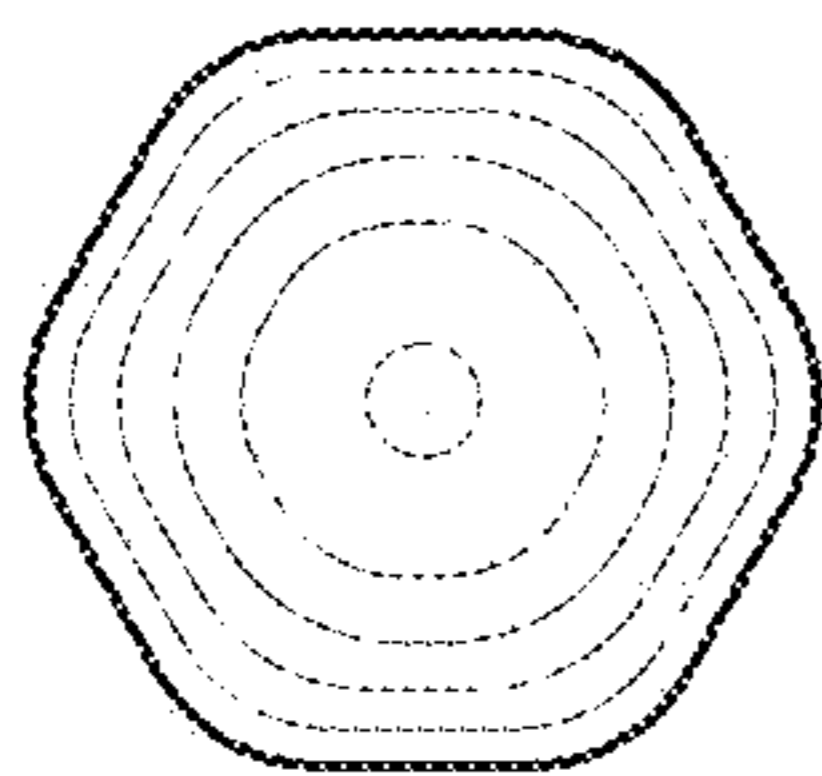


FIG. 9

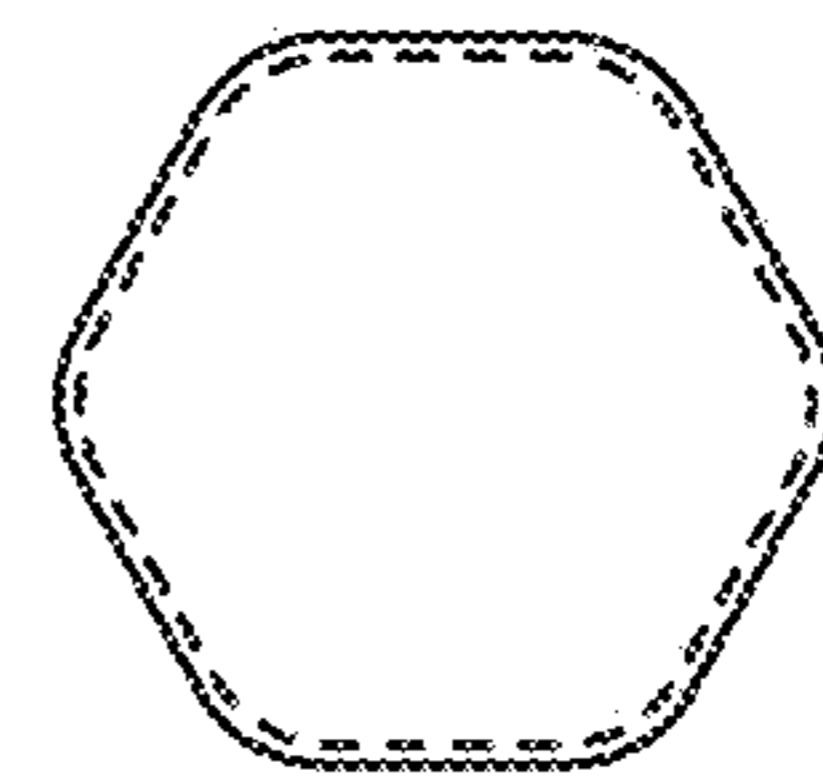


FIG. 10