



US00D986832S

(12) **United States Design Patent**  
**Zeng**

(10) **Patent No.:** **US D986,832 S**  
(45) **Date of Patent:** **\*\* May 23, 2023**

(54) **HDMI SPLITTER**  
(71) Applicant: **Shenzhen Lisite Trading Co., Ltd.**,  
Shenzhe (CN)  
(72) Inventor: **Jiaqing Zeng**, Qinzhou (CN)  
(73) Assignee: **Shenzhen Lisite Trading Co., Ltd.**,  
Shenzhen (CN)

D881,813 S \* 4/2020 Nook ..... D13/120  
D892,048 S \* 8/2020 Zhuang ..... D13/110  
D899,377 S \* 10/2020 Akana ..... D13/147  
D900,752 S \* 11/2020 Huang ..... D13/147  
D911,286 S \* 2/2021 Esses ..... D13/120  
D918,915 S 5/2021 Lin  
D929,329 S 8/2021 Lin  
D949,107 S \* 4/2022 Meyer ..... D13/133  
D960,164 S \* 8/2022 Yang ..... D14/433  
11,609,390 B2 \* 3/2023 Khazen ..... G02B 6/3885  
2006/0120672 A1 \* 6/2006 Cody ..... G02B 6/4472  
385/86  
2014/0044397 A1 \* 2/2014 Hikosaka ..... G02B 6/3878  
29/505

(\*\*) Term: **15 Years**  
(21) Appl. No.: **29/871,729**

\* cited by examiner

(22) Filed: **Feb. 27, 2023**  
(51) **LOC (14) Cl.** ..... **13-03**  
(52) **U.S. Cl.**  
USPC ..... **D13/147**  
(58) **Field of Classification Search**  
USPC ..... D13/147, 146, 133, 110  
CPC . G02B 6/3878; G02B 6/38875; G02B 6/3885  
See application file for complete search history.

*Primary Examiner* — Cynthia R Underwood

(57) **CLAIM**

The ornamental design for a HDMI splitter, as shown and described.

**DESCRIPTION**

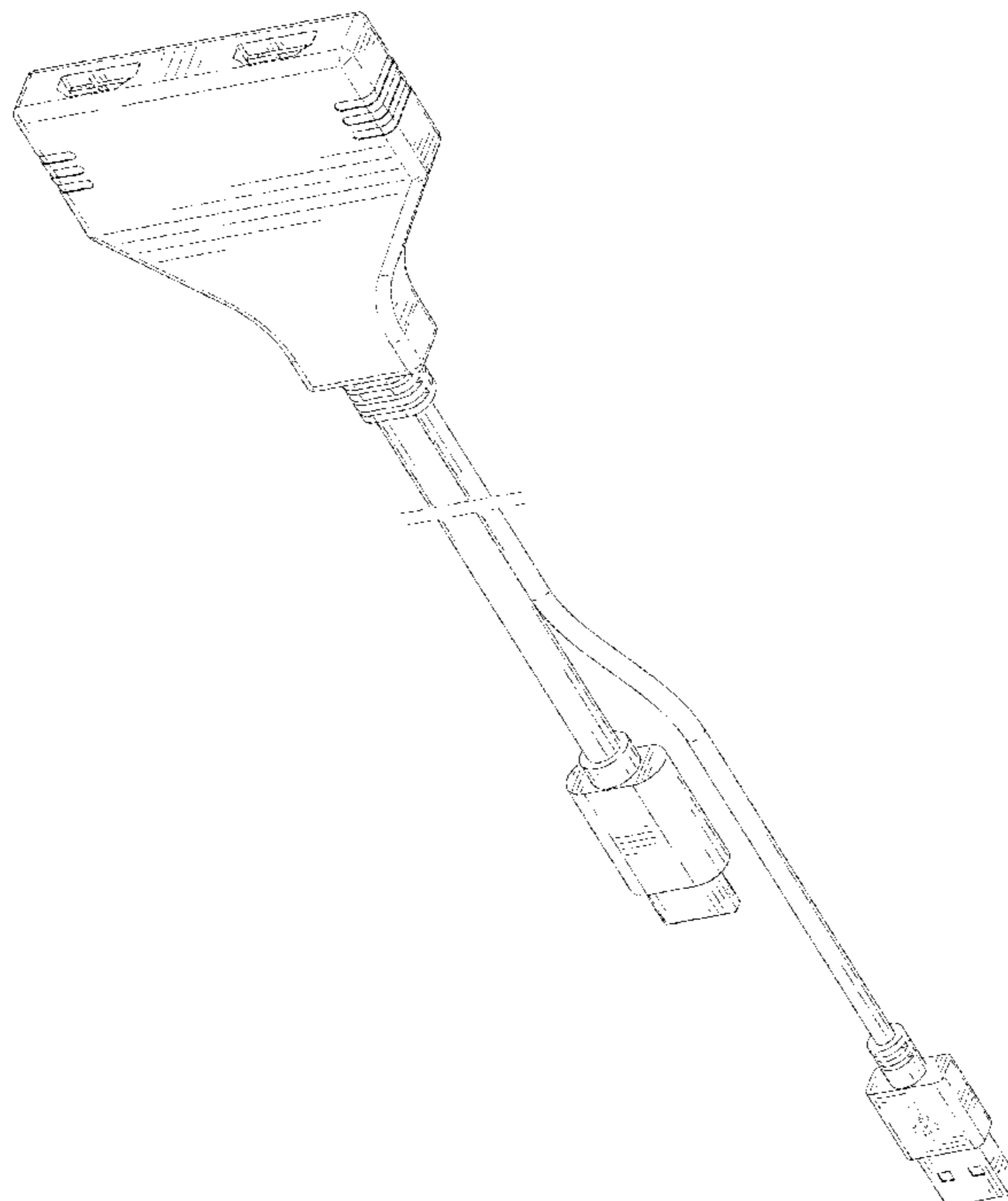
FIG. 1 is a rear, left and top perspective view of a HDMI splitter showing my new design;  
FIG. 2 is a front, right and bottom perspective view thereof;  
FIG. 3 is a front view thereof;  
FIG. 4 is a rear view thereof;  
FIG. 5 is a left side view thereof;  
FIG. 6 is a right side view thereof;  
FIG. 7 is a top plan view thereof;  
FIG. 8 is a bottom plan view thereof; and,  
FIG. 9 is a perspective view thereof, illustrated in a second position of FIG. 2.  
The broken lines in the figures illustrate portions of the HDMI splitter that form no part of the claimed design.

(56) **References Cited**

**U.S. PATENT DOCUMENTS**

5,074,021 A \* 12/1991 Feng ..... G02B 6/3849  
269/903  
6,007,256 A \* 12/1999 Asada ..... G02B 6/3869  
385/71  
7,050,692 B2 \* 5/2006 Harlan ..... A61B 18/22  
385/136  
7,273,384 B1 \* 9/2007 So ..... H01R 31/065  
439/502  
9,033,591 B2 \* 5/2015 Hikosaka ..... G02B 6/38875  
385/76  
9,973,016 B2 \* 5/2018 Miller ..... F21L 4/08  
10,422,964 B2 \* 9/2019 Otomitsu ..... G02B 6/3885

**1 Claim, 9 Drawing Sheets**



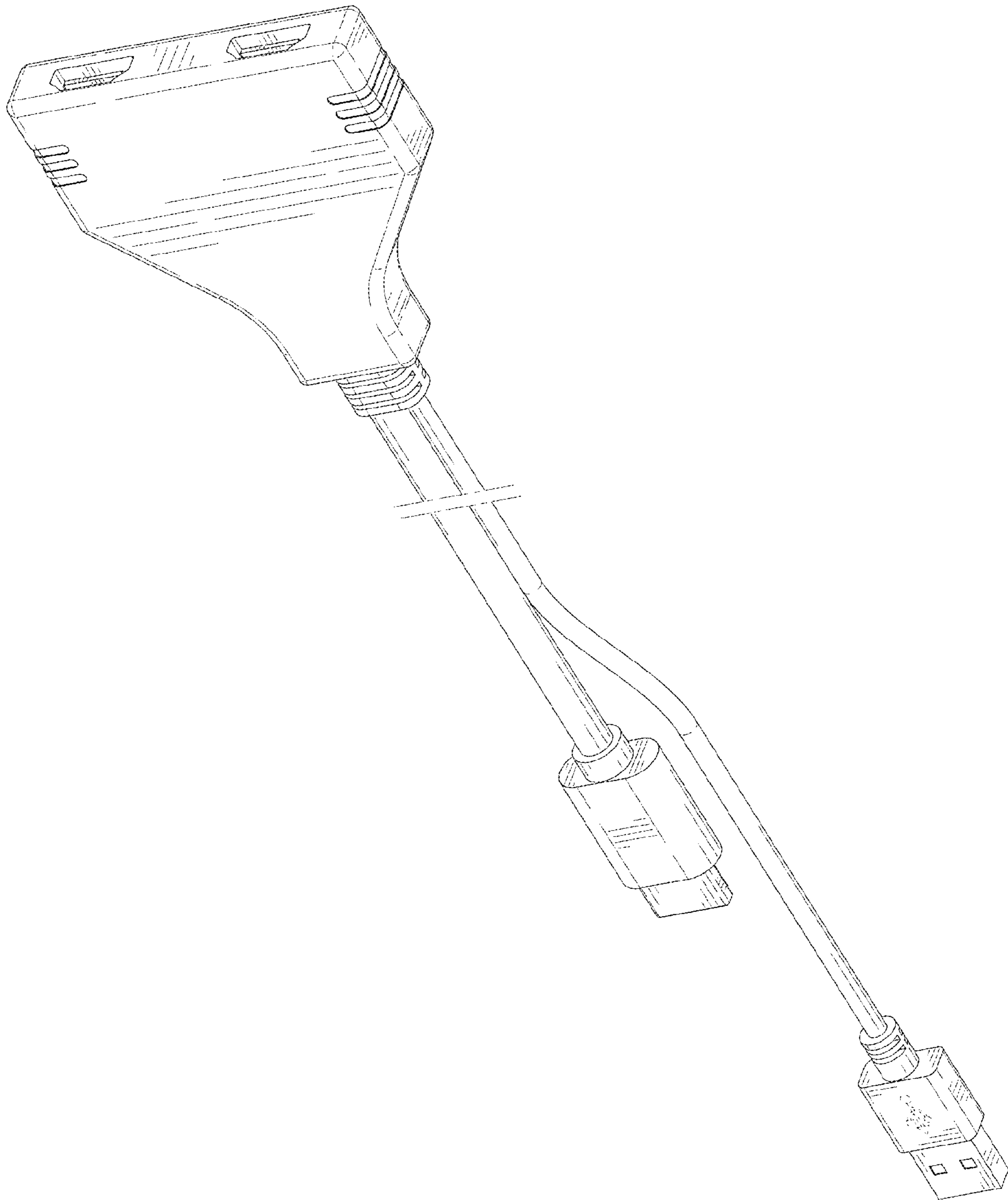


FIG. 1

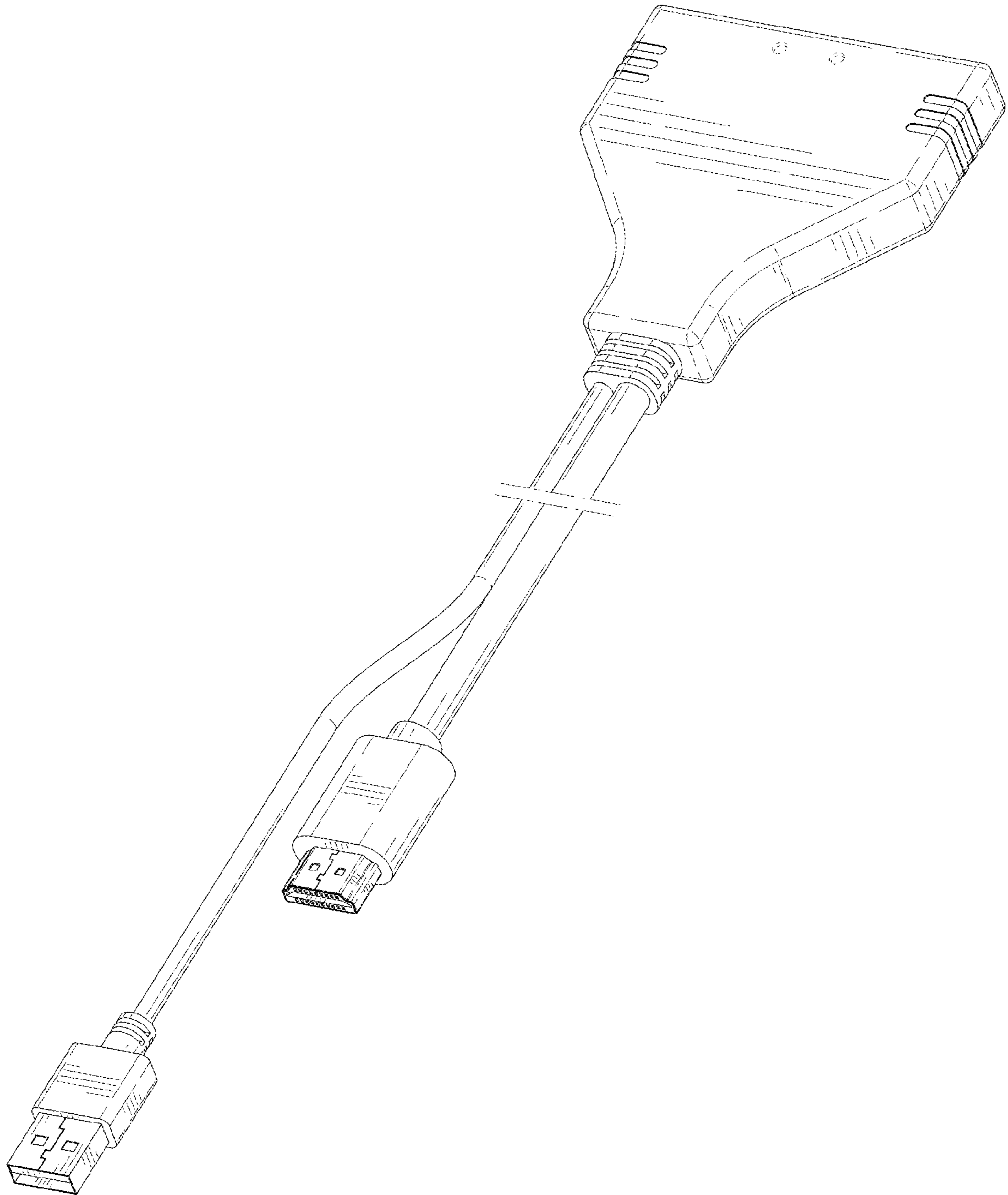


FIG. 2

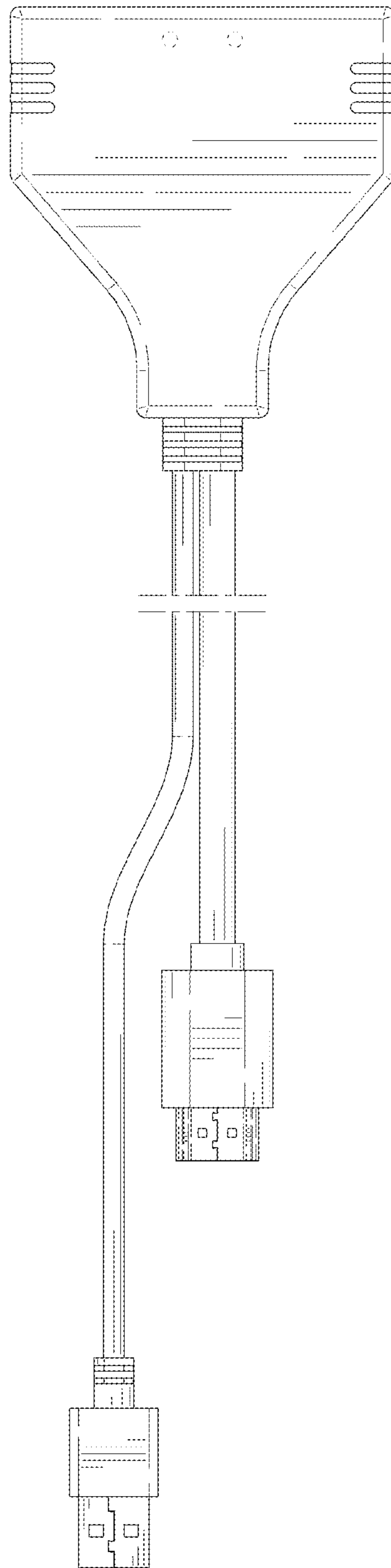


FIG. 3

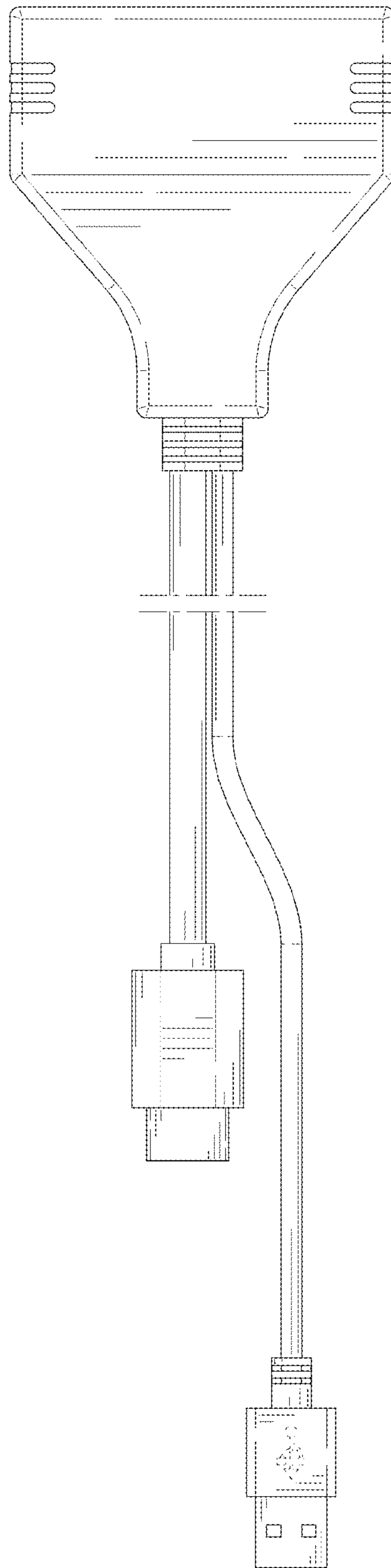


FIG. 4

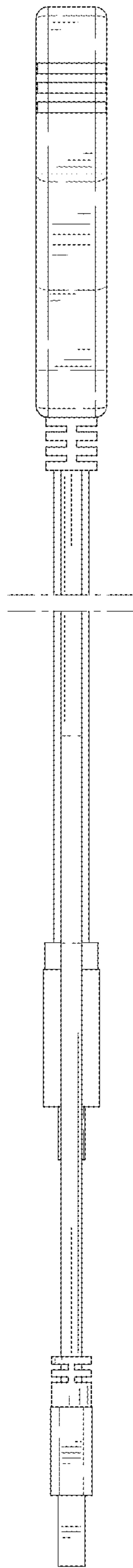


FIG. 5

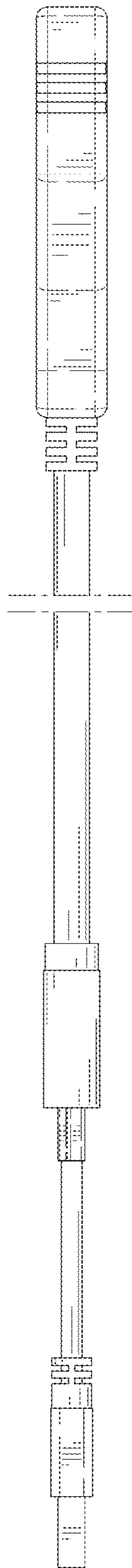


FIG. 6

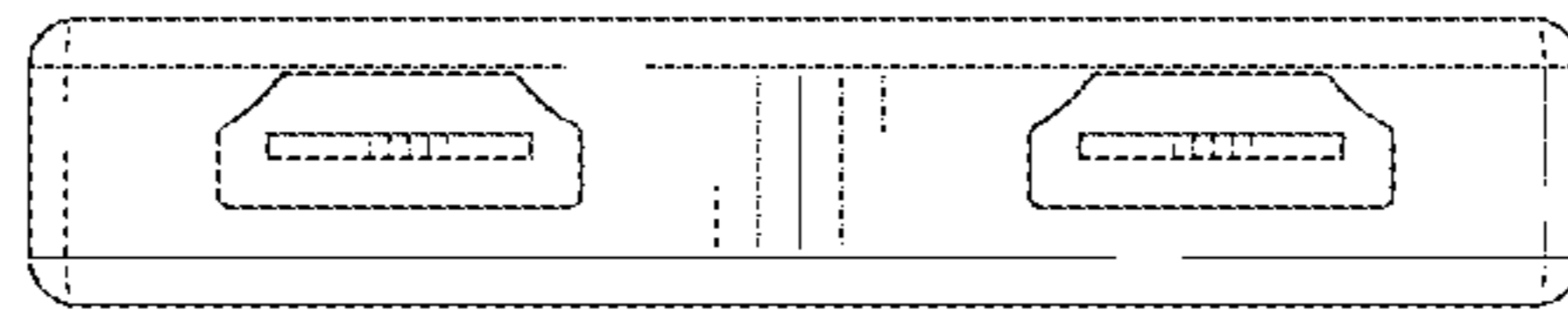


FIG. 7



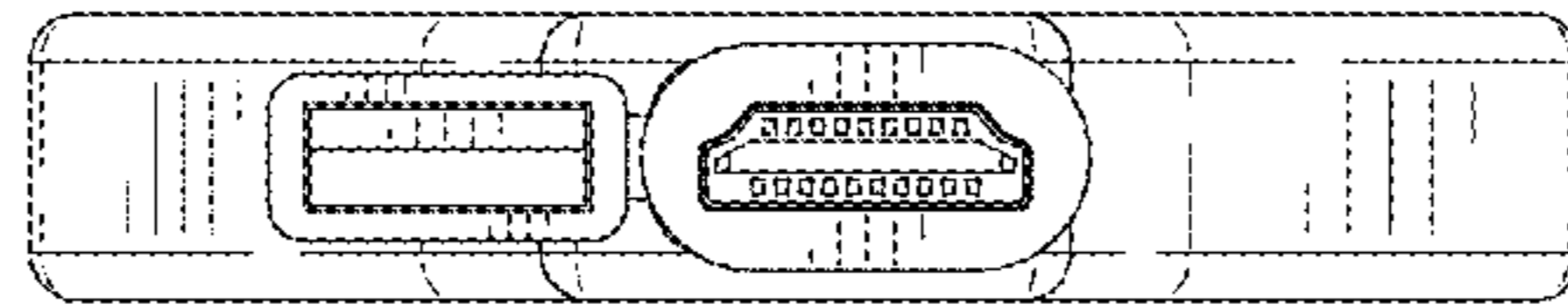


FIG. 8

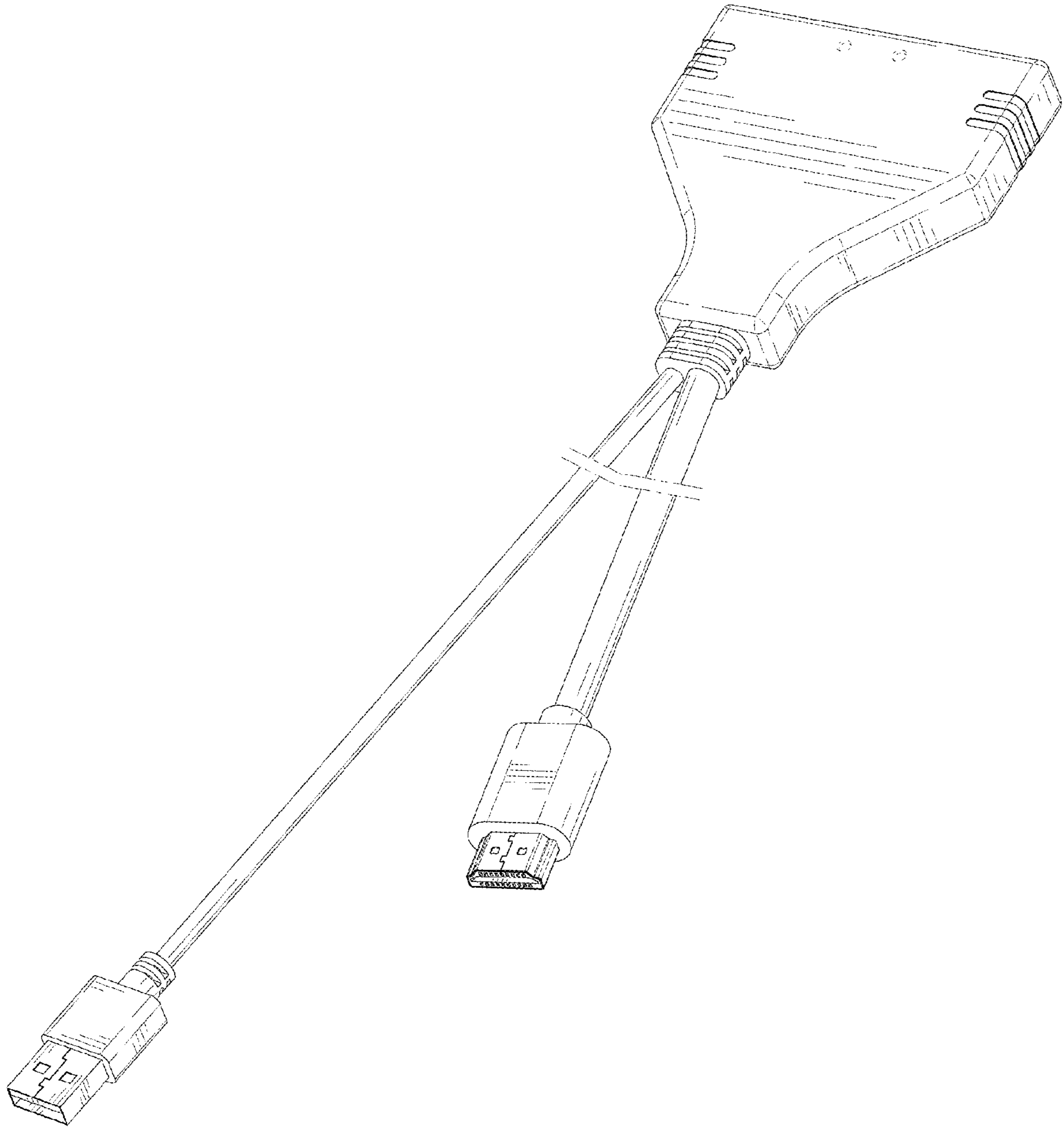


FIG. 9