



US00D986830S

(12) **United States Design Patent** (10) **Patent No.:** **US D986,830 S**
Schmidt (45) **Date of Patent:** **** May 23, 2023**

(54) **STANDALONE PLUG WITH SOCKET COVER**

(71) Applicant: **Weidmüller Interface GmbH & Co. KG**, Detmold (DE)

(72) Inventor: **Klaus Schmidt**, Duisburg (DE)

(73) Assignee: **Weidmüller Interface GmbH & Co. KG**

(**) Term: **15 Years**

(21) Appl. No.: **29/763,077**

(22) Filed: **Dec. 21, 2020**

D374,212 S *	10/1996	Fukao	D13/146
D446,771 S *	8/2001	Bosatelli	D13/146
D447,463 S *	9/2001	Bosatelli	D13/146
D449,581 S *	10/2001	Bosatelli	D13/146
D524,282 S *	7/2006	Beasley	D13/108
D525,203 S *	7/2006	Bihrer	D13/146
D582,342 S *	12/2008	Chen	D13/118
D601,092 S *	9/2009	Rupp	D13/147
D601,504 S *	10/2009	Rupp	D13/147
D601,964 S *	10/2009	Rupp	D13/147
D601,965 S *	10/2009	Rupp	D13/147
D614,138 S *	4/2010	Blixt	D13/147
D618,176 S *	6/2010	Kato	D13/154
D626,063 S	10/2010	Cutter et al.		
D628,960 S	12/2010	Shimizu et al.		
D632,645 S	2/2011	Blain		
D646,224 S *	10/2011	Guo	D13/147
D651,561 S	1/2012	Petrie et al.		
D652,791 S	1/2012	Petrie et al.		

(Continued)

Related U.S. Application Data

(62) Division of application No. 29/707,165, filed on Sep. 26, 2019, now Pat. No. Des. 941,754.

(30) **Foreign Application Priority Data**

Mar. 29, 2019 (EM) 006352753

(51) **LOC (14) Cl.** **13-03**

(52) **U.S. Cl.**
USPC **D13/147; D13/107**

(58) **Field of Classification Search**
USPC D13/107-108, 118-119, 184, 199, 133,
D13/146, 147

CPC H02J 7/0021; H02J 7/0026; H02J 7/0027;
H02J 7/0013; H02J 2310/40; H02J
2310/48

See application file for complete search history.

(56) **References Cited**

U.S. PATENT DOCUMENTS

D344,490 S * 2/1994 Nociar D13/146
D361,313 S * 8/1995 Sai D13/146

FOREIGN PATENT DOCUMENTS

KR 300681046.0000 * 2/2013

Primary Examiner — Rosemary K Tarcza

(74) *Attorney, Agent, or Firm* — Laubscher & Laubscher PC

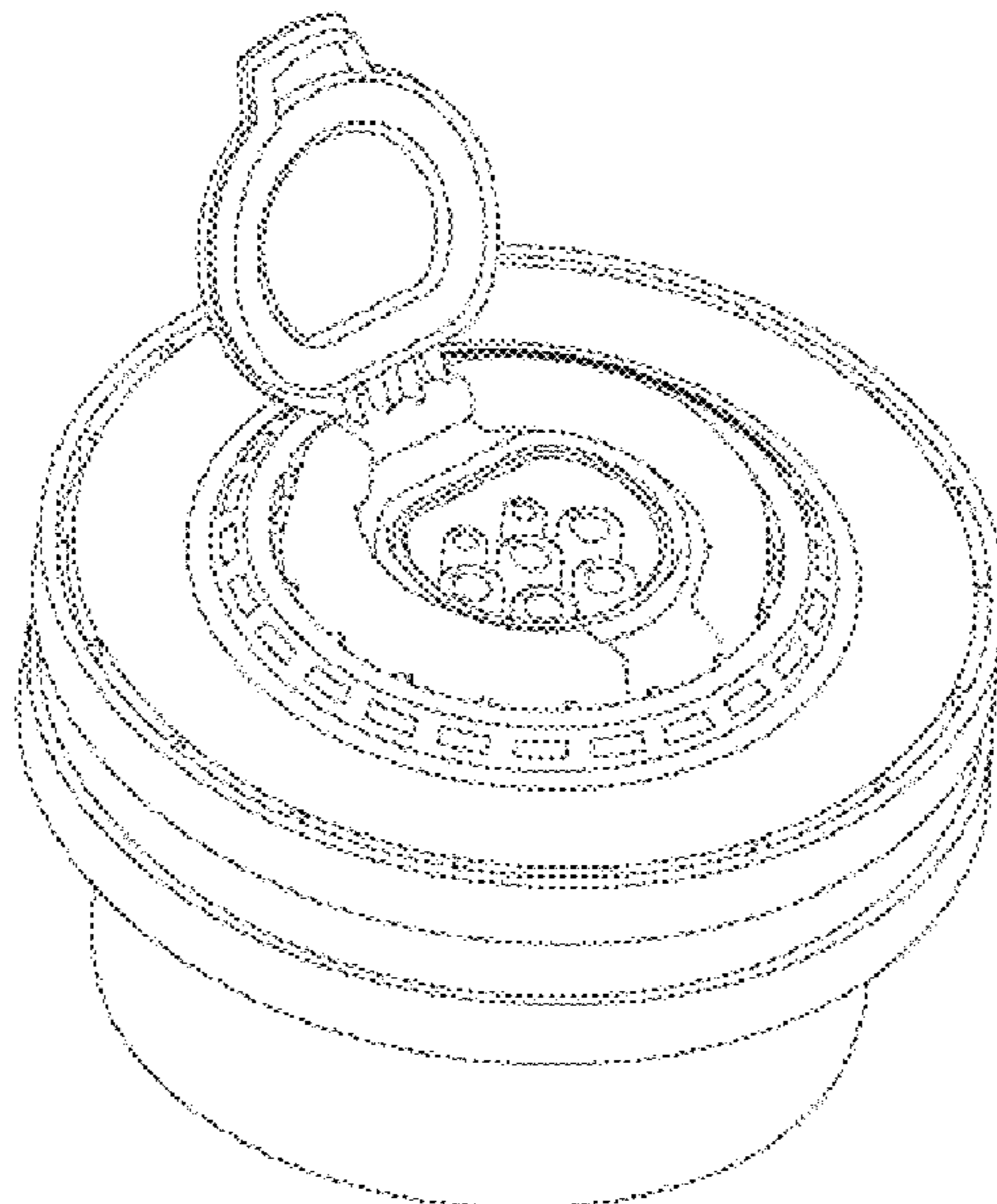
(57) **CLAIM**

The ornamental design for a standalone plug with socket cover, as shown.

DESCRIPTION

FIG. 1 is a top front perspective view of a standalone plug with socket cover according to my invention; FIG. 2 is a front elevation view of my design of FIG. 1; FIG. 3 is a left side elevation view of my design of FIG. 1; FIG. 4 is a top plan view of my design of FIG. 1; and, FIG. 5 is a bottom plan view of my design of FIG. 1. The broken lines shown in the drawing are for illustrative purposes and form no part of the claimed design.

1 Claim, 5 Drawing Sheets



(56)

References Cited

U.S. PATENT DOCUMENTS

D655,242 S	3/2012	Holthusen	
D655,344 S	8/2012	Petrie et al.	
D655,733 S	8/2012	Petrie et al.	
D665,344 S *	8/2012	Petrie	D13/107
D665,733 S *	8/2012	Petrie	D13/107
D692,374 S	10/2013	Choi	
D700,142 S *	2/2014	Fukushima	D13/146
D704,639 S *	5/2014	Alesi	D13/110
D706,213 S	6/2014	Titus	
D712,359 S *	9/2014	Allen	D13/147
D713,340 S *	9/2014	Repp	D13/118
D722,971 S *	2/2015	Smith	D13/147
D724,031 S *	3/2015	Musk	D13/146
D725,032 S	3/2015	Demirjian et al.	
D758,304 S *	6/2016	Wright	D13/107
D766,830 S *	9/2016	Parks	D13/133
D768,080 S *	10/2016	Parks	D13/133
D786,792 S *	5/2017	Miller	D13/110
D794,572 S *	8/2017	Corona	D13/146
D795,182 S	8/2017	Akana et al.	
D801,015 S	10/2017	Gibson	
D809,456 S	2/2018	Miller et al.	
D810,015 S *	2/2018	Carreon	D13/108
D824,857 S *	8/2018	Vogel	D13/146
D826,862 S *	8/2018	Salman	D13/146
D837,148 S *	1/2019	Brown	D13/103
D845,246 S *	4/2019	Zhang	D13/147
D846,623 S *	4/2019	Siminoff	D13/133
D853,960 S *	7/2019	Lei	D13/108
D853,968 S *	7/2019	Lehman	D13/133
D864,108 S	10/2019	Ito	
D870,660 S *	12/2019	De Lauri	D13/108
D872,687 S	1/2020	Mortun	
D873,768 S	1/2020	Minkyoo	
D876,341 S	2/2020	Tomasson et al.	
D884,613 S	5/2020	Minkyoo	
D891,366 S	7/2020	Xie et al.	
D893,420 S *	8/2020	Xiao	D13/108
D893,421 S *	8/2020	Xiao	D13/108
D893,441 S *	8/2020	Rao	D13/199
D895,541 S *	9/2020	Zhang	D13/108
D897,282 S *	9/2020	Ye	D13/107
D897,285 S *	9/2020	Walsh	D13/108
D904,981 S *	12/2020	Worthy	D13/110
D936,006 S *	11/2021	Siciliano	D13/110
D941,754 S *	1/2022	Schmidt	D13/107
D943,525 S *	2/2022	Deshaies	D13/108
2013/0020990 A1	1/2013	DeBoer et al.	
2017/0341523 A1	11/2017	Hirashita et al.	
2018/0126859 A1 *	5/2018	Voigts	H02J 7/00
2021/0013728 A1 *	1/2021	Nishiyama	H02J 7/0045

* cited by examiner

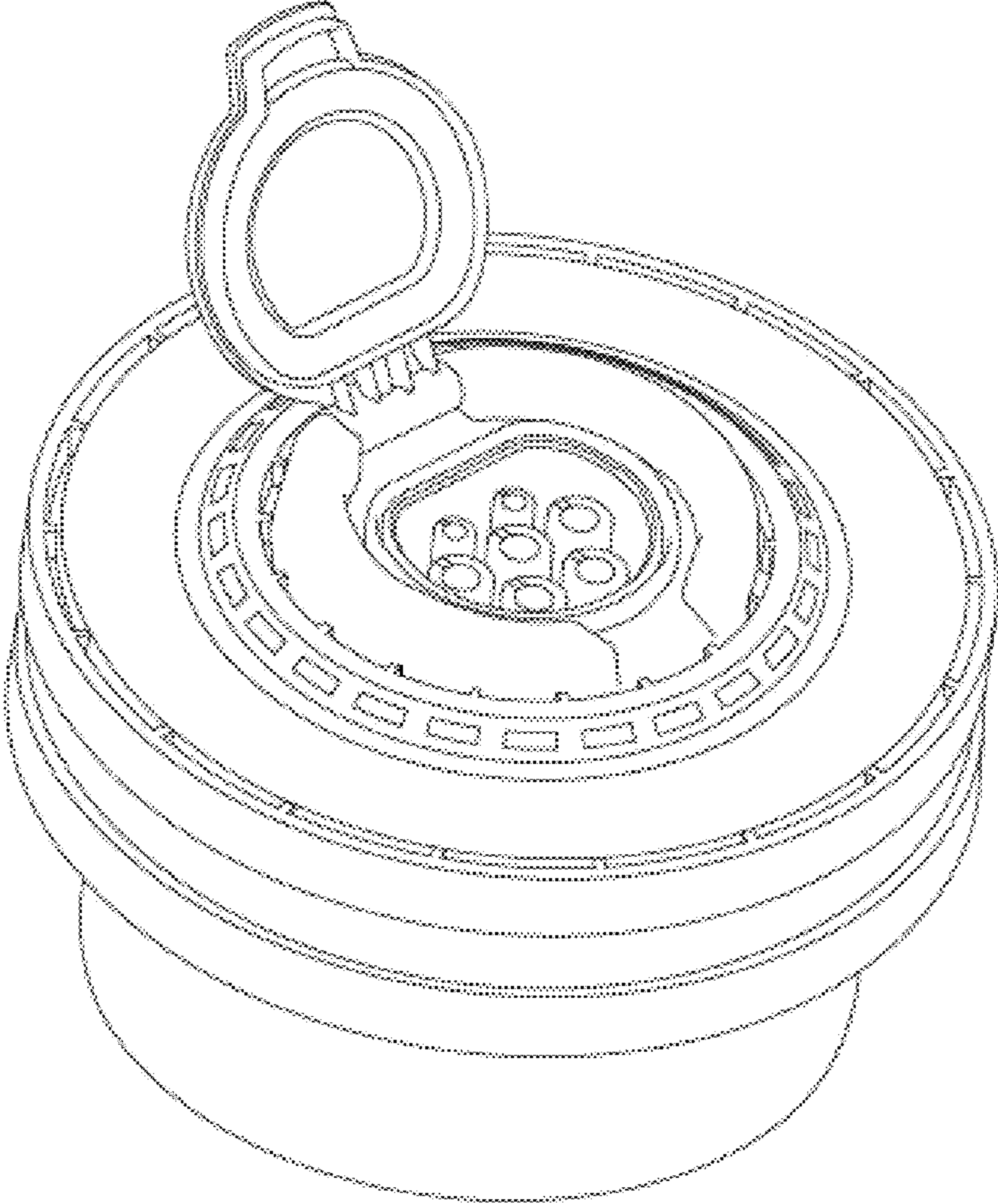


FIG. 1

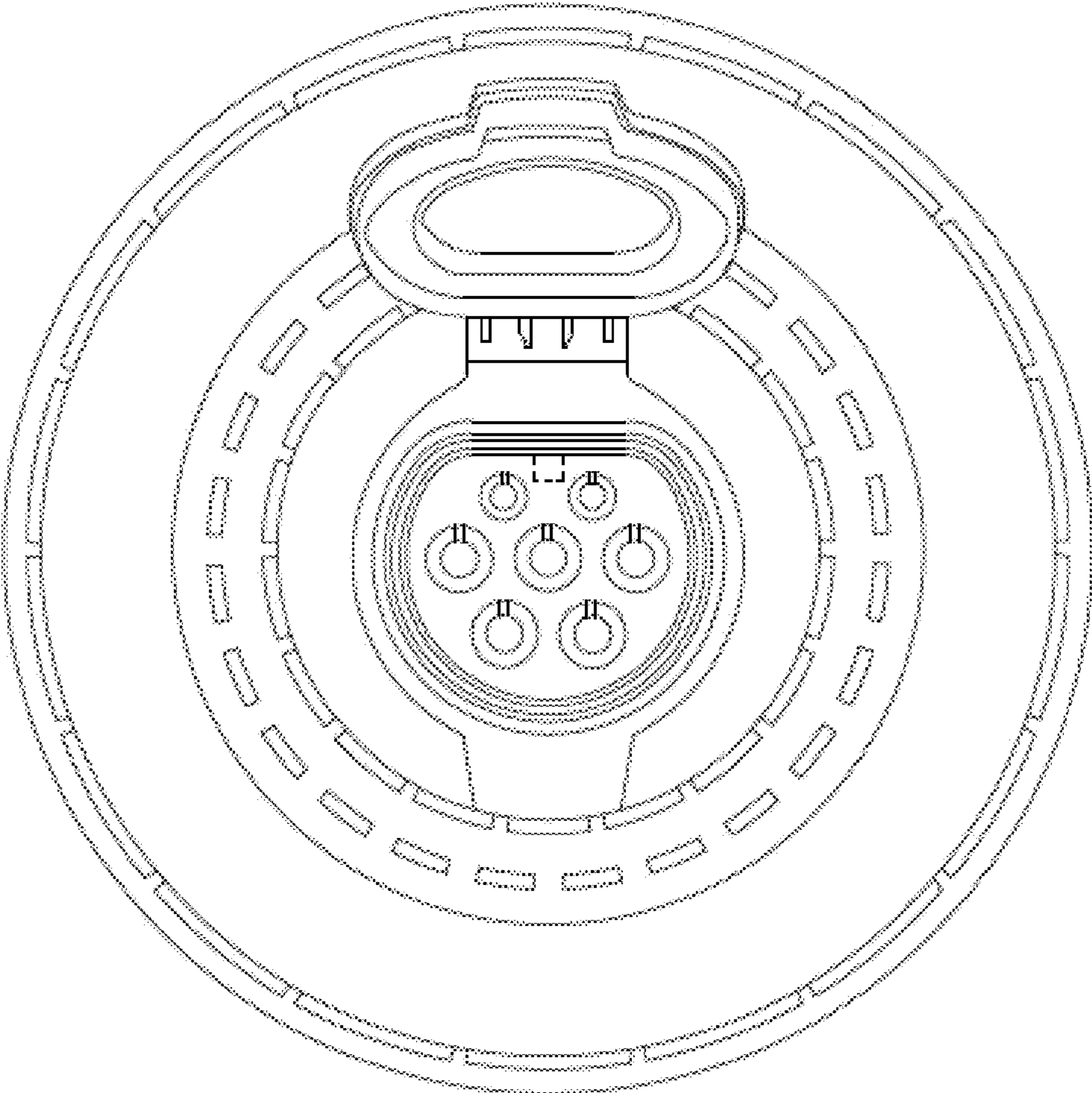


FIG. 2

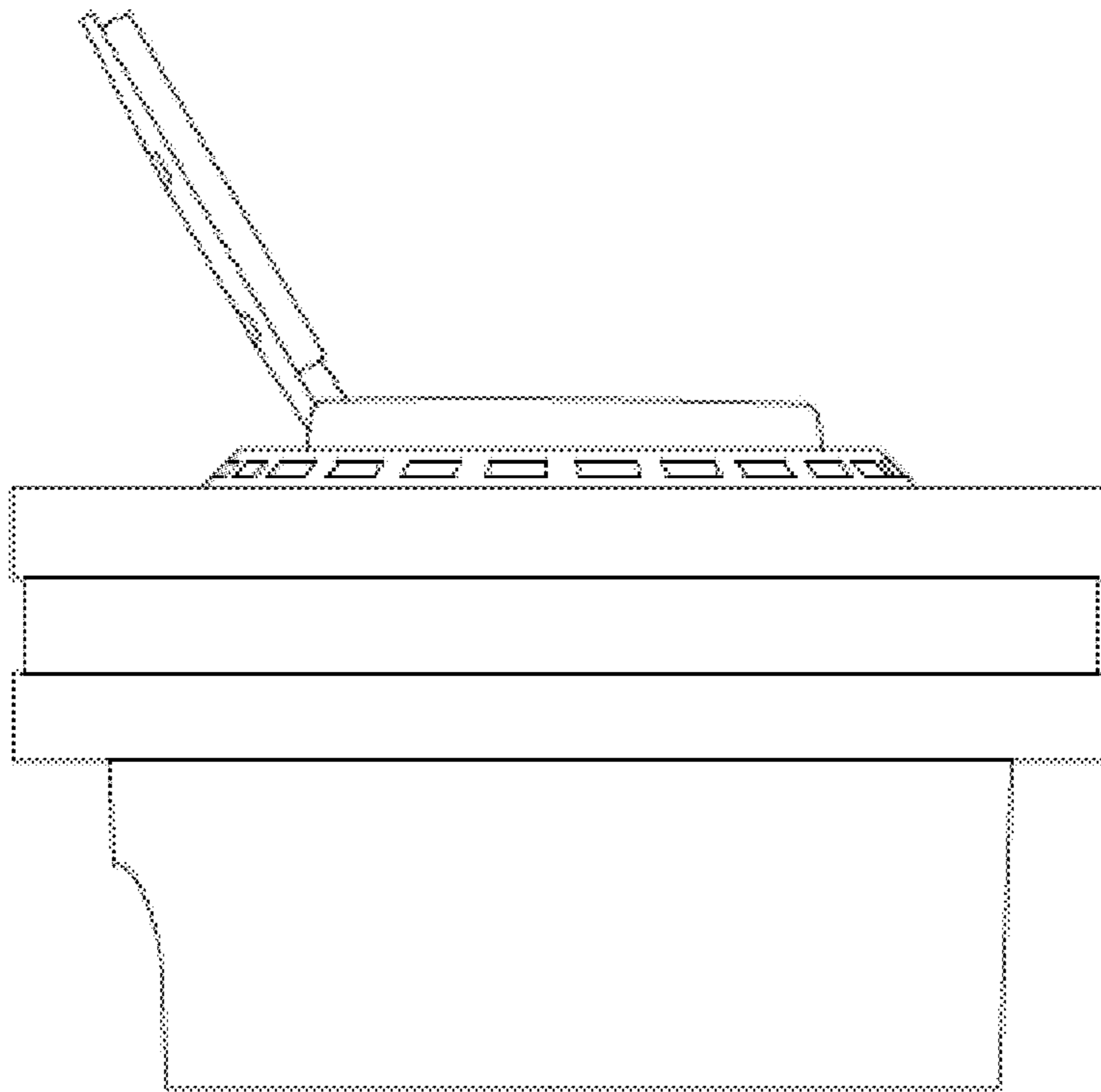


FIG. 3

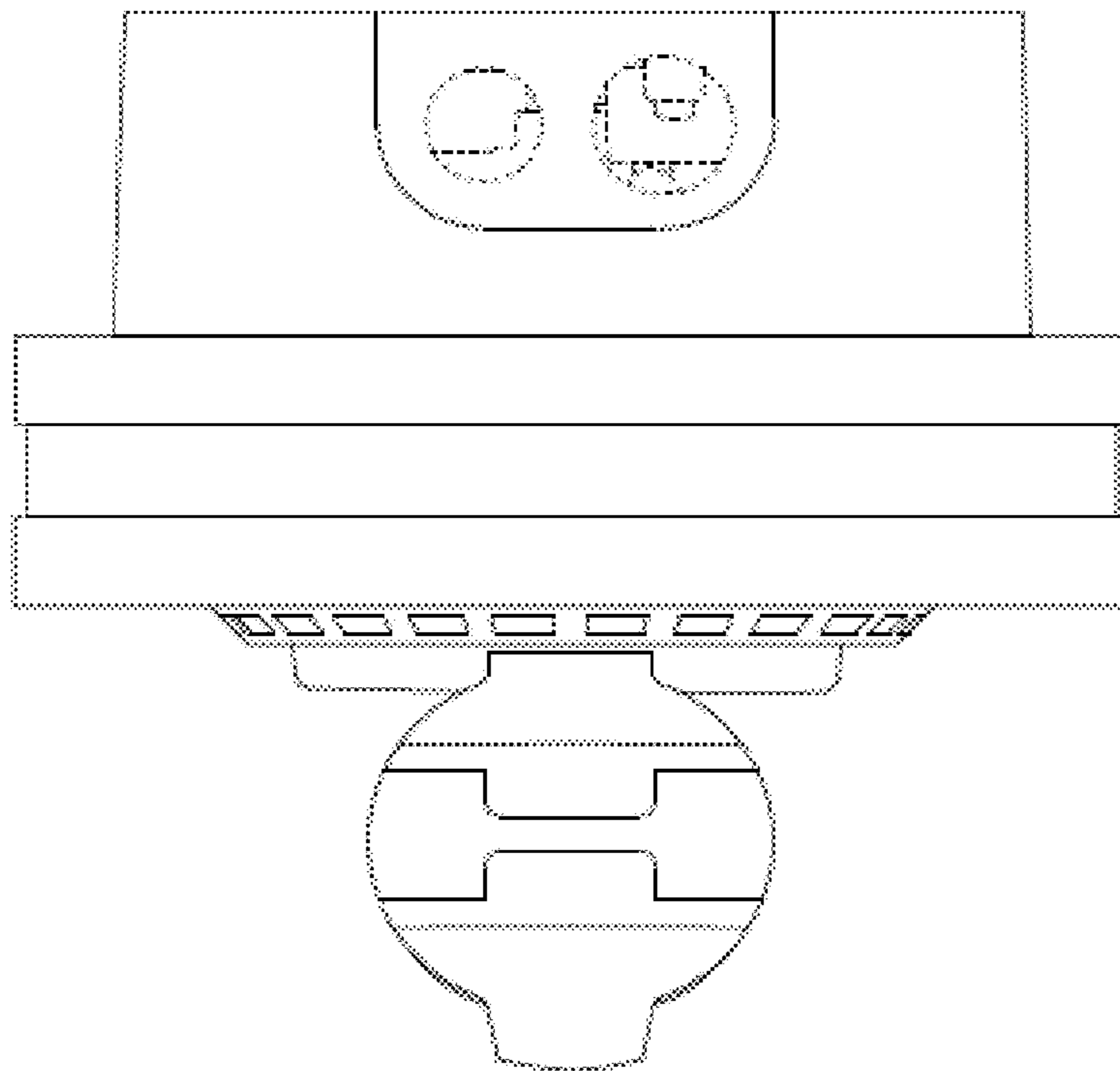


FIG. 4

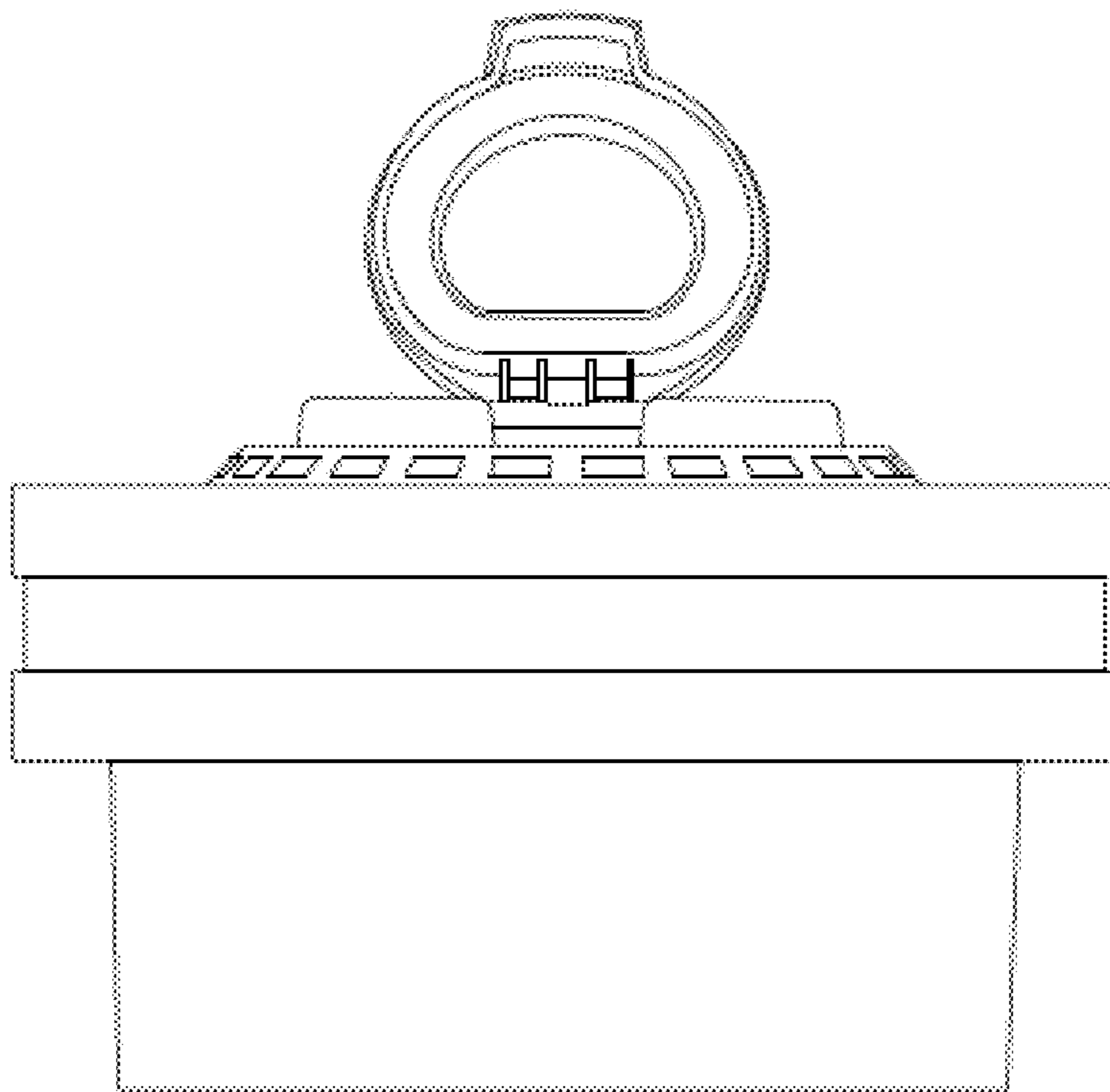


FIG. 5