



US00D986827S

(12) **United States Design Patent** (10) **Patent No.:** **US D986,827 S**
Schneider et al. (45) **Date of Patent:** **** May 23, 2023**

(54) **MARINE SURGE PROTECTOR**

FOREIGN PATENT DOCUMENTS

(71) Applicant: **Brunswick Corporation**, Mettawa, IL (US)

CN 306915034 * 11/2021
JP D1478627 * 9/2013

(Continued)

(72) Inventors: **David M. Schneider**, New Berlin, WI (US); **Matthew T. Elsner**, Mukwonago, WI (US); **Karl E. Thornton**, Kewaskum, WI (US)

OTHER PUBLICATIONS

“Marinco 50 Amp Marine Surge Protection Pigtail Adapter (1RPC50SP)”, first accessed Jul. 21, 2022. NomadicSupply.com [https://nomadicsupply.com/product/marinco-50-amp-marine-surge-protection-shore-power-pigtail-adapter] (Year: 2022).*

(Continued)

(73) Assignee: **Brunswick Corporation**, Mettawa, IL (US)

(**) Term: **15 Years**

(21) Appl. No.: **29/794,638**

Primary Examiner — Rosemary K Tarcza

Assistant Examiner — Seth David Kumpf

(22) Filed: **Jun. 14, 2021**

(74) *Attorney, Agent, or Firm* — Andrus Intellectual Property Law, LLP

(51) **LOC (14) Cl.** **13-03**

(52) **U.S. Cl.**
USPC **D13/138.2**

(58) **Field of Classification Search**
USPC D13/137.1, 137.2, 137.3, 137.4, 138.1, D13/138.2, 139.1, 139.2, 139.3, 139.4, D13/139.5, 139.6, 139.7, 139.8; D14/432, 433, 435.1, 438
CPC H01R 13/20; H01R 13/26; H01R 13/434; H01R 13/625; H01R 13/642; H01R 13/652; H01R 13/11; H01R 13/518; H01R 25/003; H01R 25/006; H01R 43/26; H01H 71/62; H01H 73/14

See application file for complete search history.

(57) **CLAIM**

The ornamental design for a marine surge protector, as shown and described.

DESCRIPTION

FIG. 1 is a front perspective view of a marine surge protector according to our new and ornamental design;
FIG. 2 is a front view thereof;
FIG. 3 is a rear view thereof;
FIG. 4 is a left side view thereof;
FIG. 5 is right side view thereof;
FIG. 6 is top view thereof; and,
FIG. 7 is a bottom view thereof.

The broken lines shown in the drawings are for the purpose of illustrating portions of the marine surge protector that form no part of the claimed design. The broken lines showing the cable and power inlet elements in FIG. 1 are for the purpose of illustrating environmental structure and form no part of the claimed design.

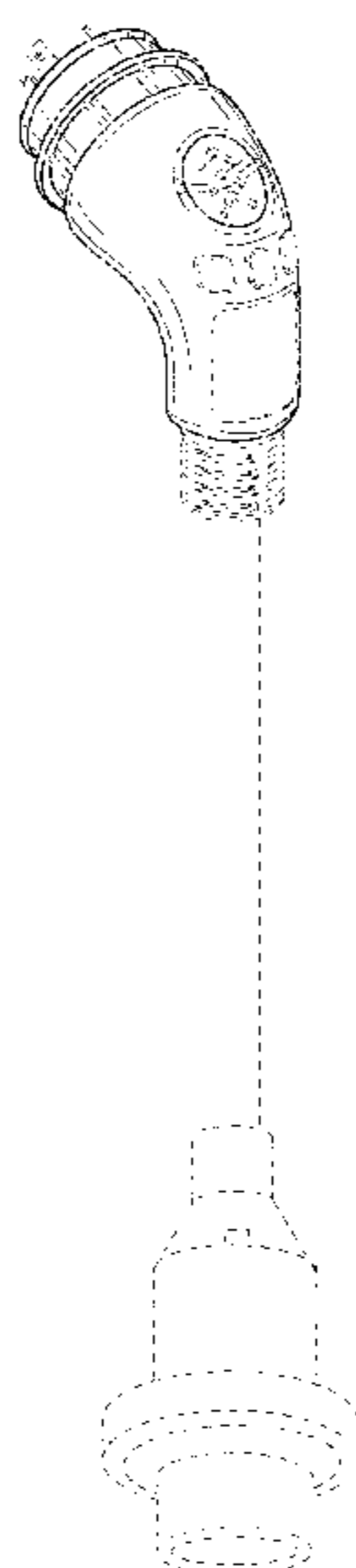
(56) **References Cited**

U.S. PATENT DOCUMENTS

D537,784 S * 3/2007 Suckle D13/138.1
D598,865 S * 8/2009 Hwang D13/156
D635,515 S * 4/2011 Atwell D13/138.2
D635,937 S * 4/2011 Aromin D13/160
D677,632 S * 3/2013 Riddle D13/133
D706,720 S * 6/2014 Gette D13/147

(Continued)

1 Claim, 4 Drawing Sheets



(56)

References Cited

U.S. PATENT DOCUMENTS

D716,233 S * 10/2014 Lai D13/146
 D805,480 S * 12/2017 Germe D13/138.1
 D941,772 S * 1/2022 Mi D13/137.4
 D941,773 S * 1/2022 Mi D13/137.4
 2011/0281452 A1* 11/2011 Kurumizawa H01R 13/6275
 439/304
 2014/0295714 A1* 10/2014 Guillanton H01R 13/42
 439/692

FOREIGN PATENT DOCUMENTS

KR 300860272.0000 * 6/2016
 KR 301094366.0000 * 2/2021
 KR 301094367.0000 * 2/2021

OTHER PUBLICATIONS

“Jusen RV Surge Protector 30 Amp for Camping, Full Protection with Waterproof Cover, Protector with Circuit Analyzer and RV Surge Protection (4100 Joules), 125V/3750W”, first available Jun. 25, 2022. Amazon.com [<https://www.amazon.com/Jusen-Protector-Protection-Waterproof-Analyzer/dp/B0B52XFSM1>] (Year: 2022).*

“Kacsoo RV Surge Protector 30 Amp, 5000 Joules Surge Protector for RV Voltage Protector with Waterproof Cover and LED Indicator, UL Listed and ETL Listed”, first available Dec. 27, 2021. Amazon.com [<https://www.amazon.com/KACSOO-Protector-Voltage-Waterproof-Indicator/dp/B09P8FMT2X>] (Year: 2021).*

* cited by examiner

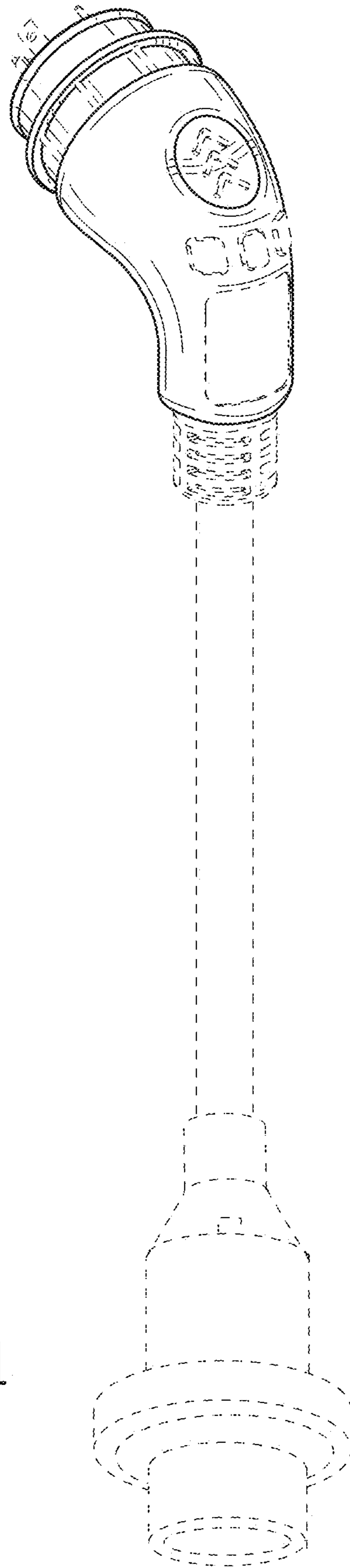


FIG. 1

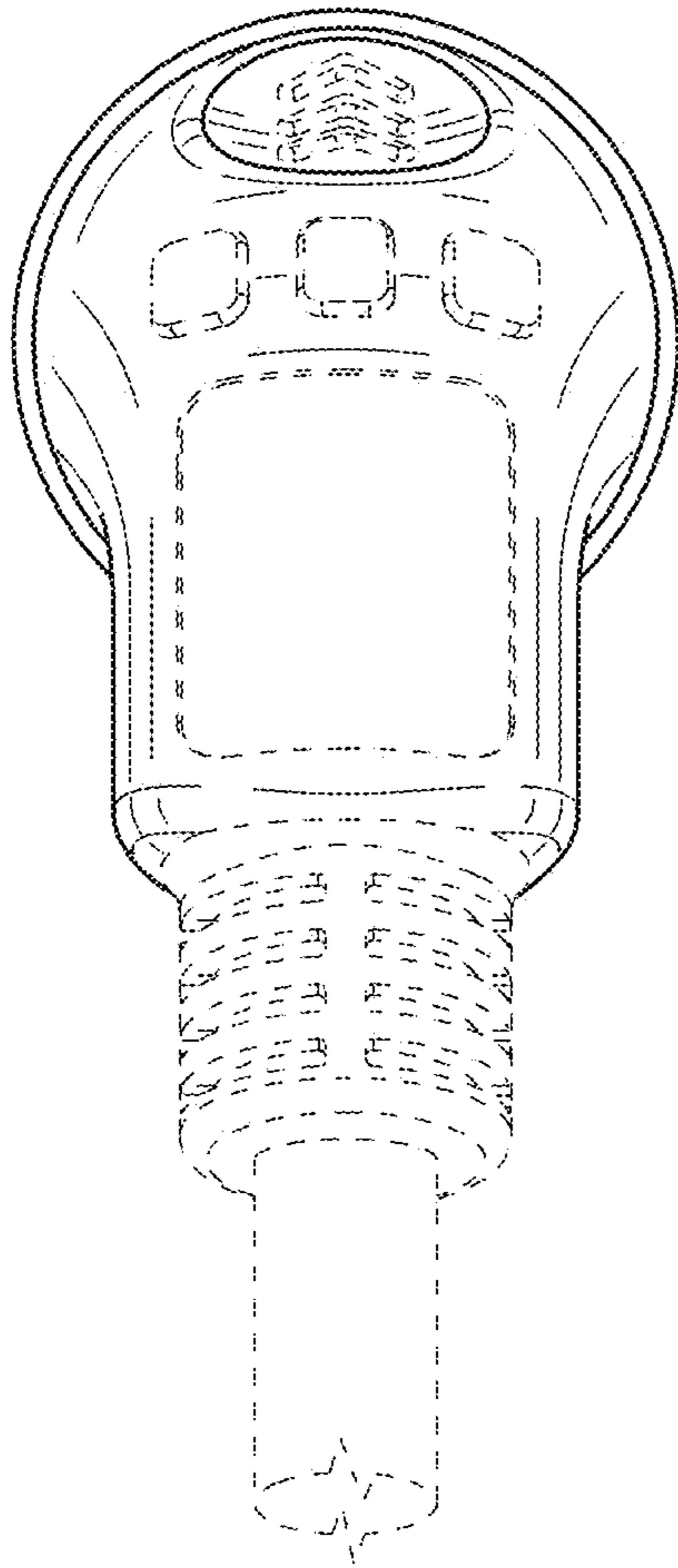


FIG. 2

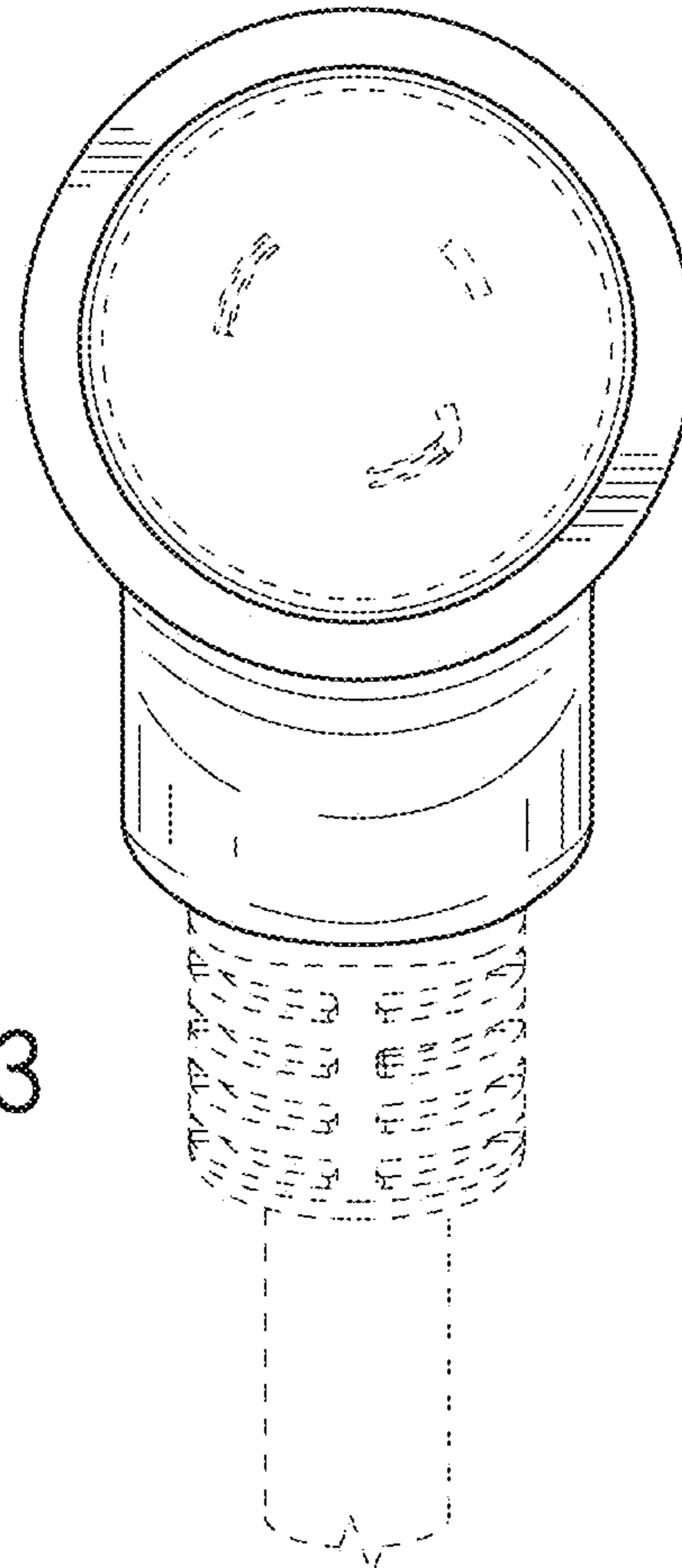


FIG. 3

FIG. 4

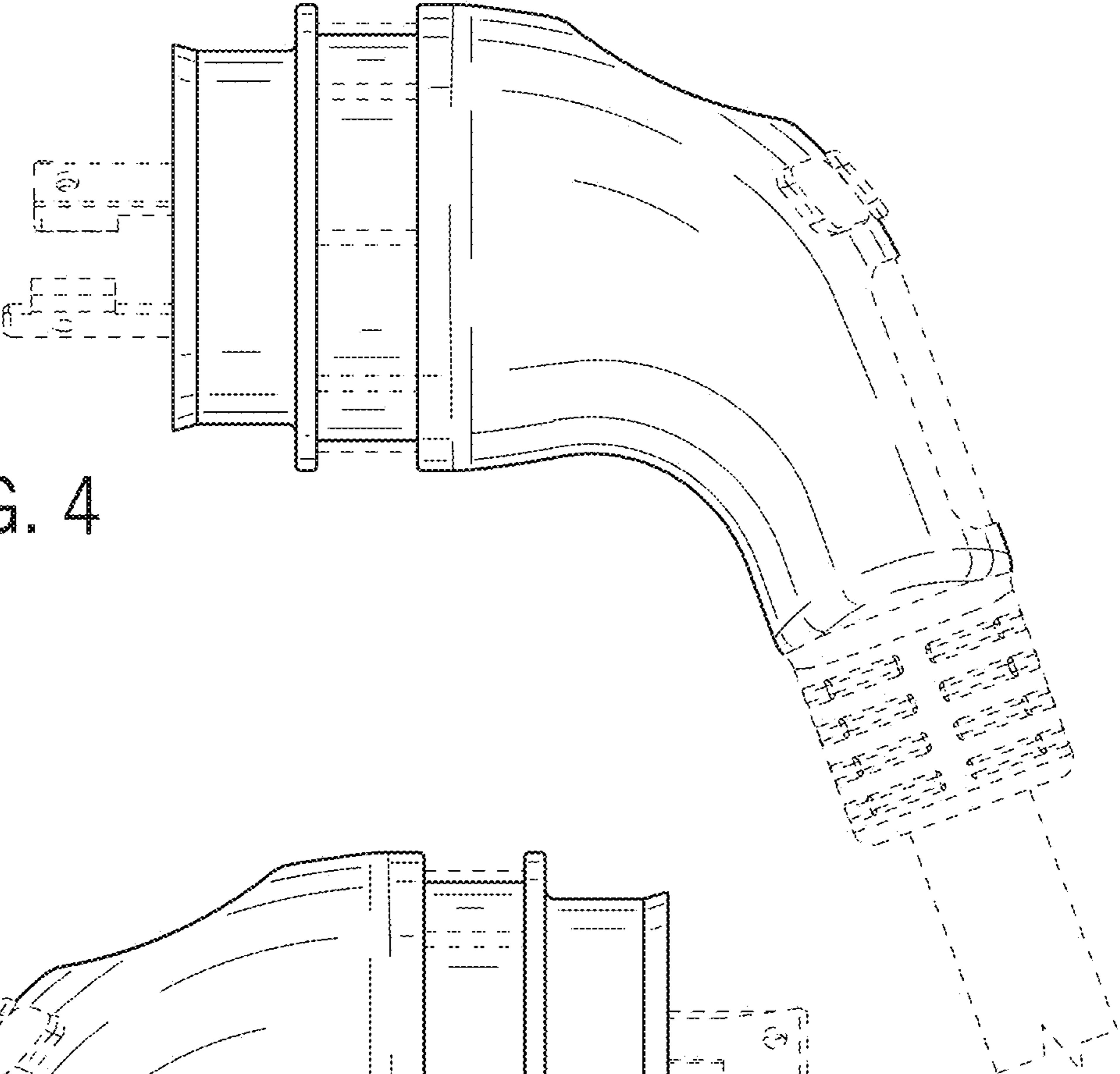
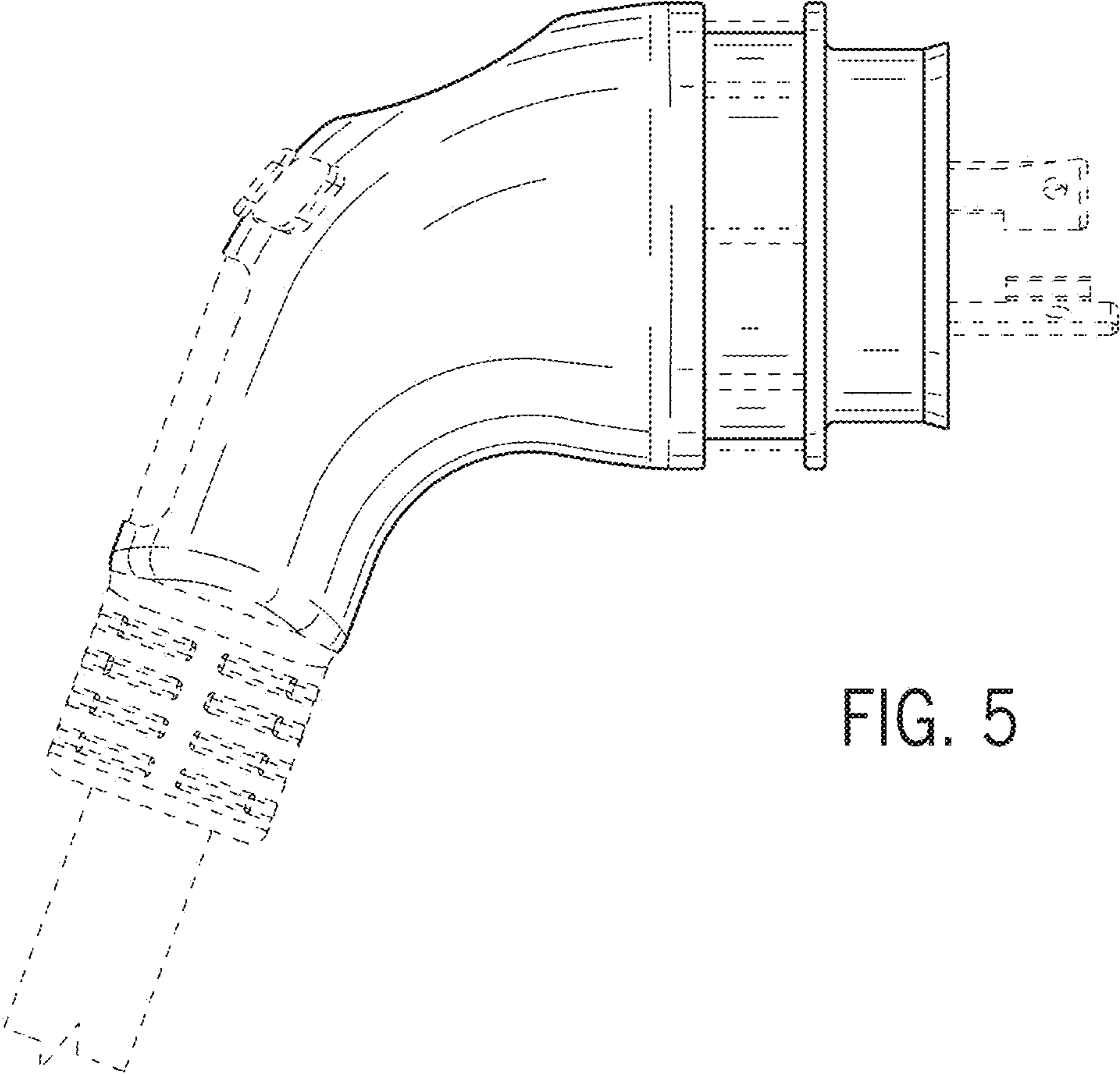


FIG. 5



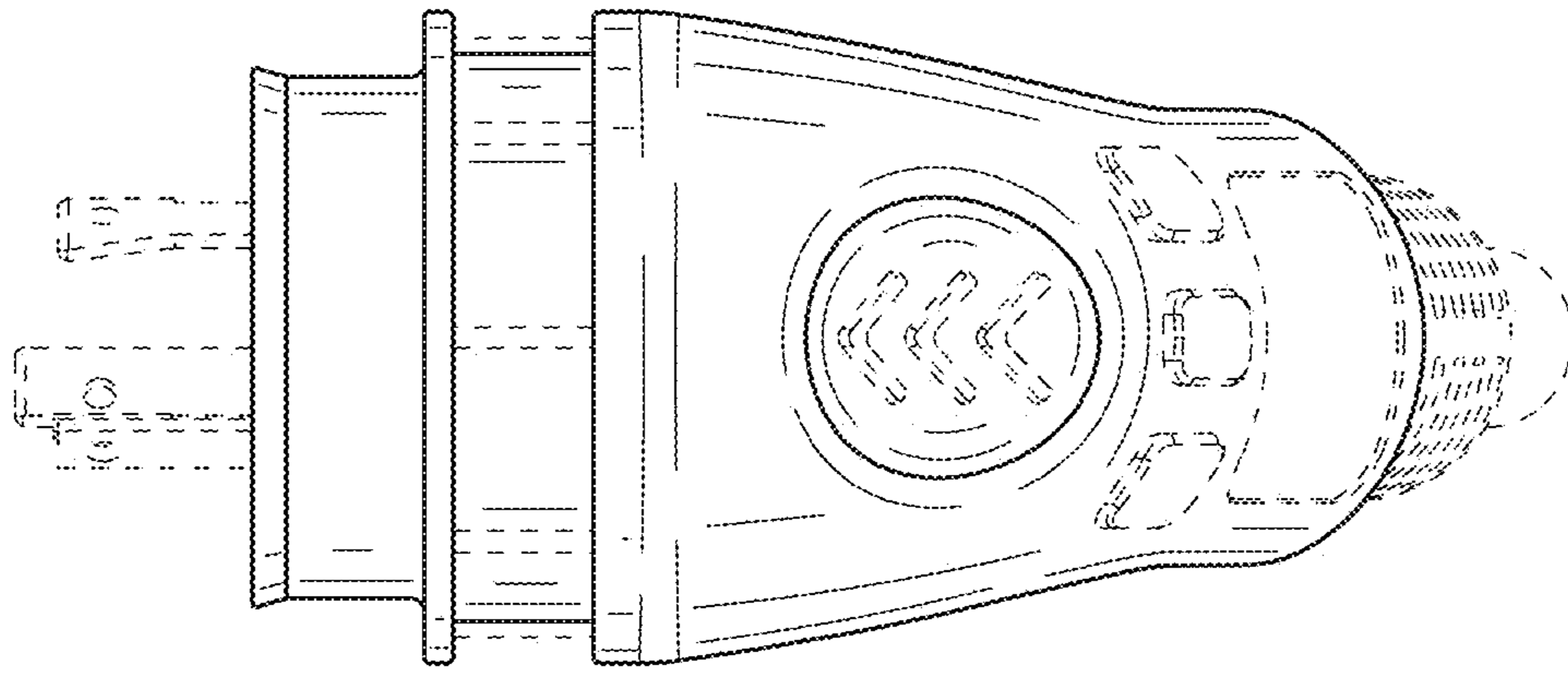


FIG. 6

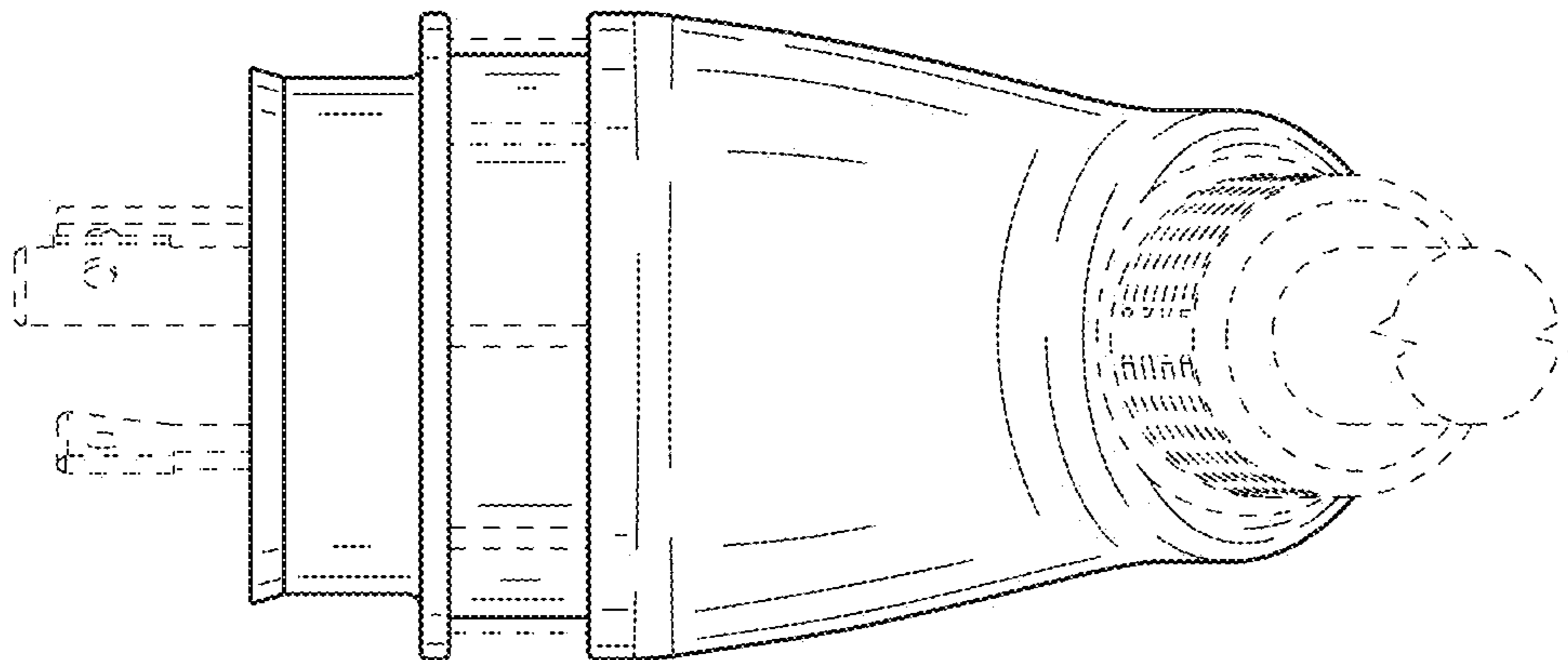


FIG. 7