



US00D986825S

(12) **United States Design Patent**
Baldwin et al.

(10) **Patent No.:** **US D986,825 S**

(45) **Date of Patent:** **** May 23, 2023**

(54) **CONNECTOR BACKSHELL**

(71) Applicant: **Lam Research Corporation**, Fremont, CA (US)

(72) Inventors: **Jeremiah Baldwin**, Tualatin, OR (US);
Sudarshan Manjunath, Bangalore (IN); **Samuel Jacob Monroe**, Dallas, OR (US)

(73) Assignee: **Lam Research Corporation**, Fremont, CA (US)

(**) Term: **15 Years**

(21) Appl. No.: **29/713,163**

(22) Filed: **Nov. 14, 2019**

(51) **LOC (14) Cl.** **13-03**

(52) **U.S. Cl.**
USPC **D13/133**

(58) **Field of Classification Search**
USPC D13/133, 146, 147, 123, 184, 199, 118,
D13/120, 154, 155, 156, 158, 152;
D12/106, 14

(Continued)

(56) **References Cited**

U.S. PATENT DOCUMENTS

3,836,938 A * 9/1974 Barrett, Jr. H01R 13/62
439/157
4,736,100 A * 4/1988 Vastagh G02B 6/266
250/227.11

(Continued)

FOREIGN PATENT DOCUMENTS

TW D155545 S 8/2013

OTHER PUBLICATIONS

Anmbest—Breakout Connector. Date: May 26, 2019 [online]. [Site visited Sep. 14, 2021]. Available from Internet URL: <https://www.amazon.com/dp/B08NWWNDLC/> (Year: 2019).*

(Continued)

Primary Examiner — Susan Bennett Hattan
Assistant Examiner — Landon Thomas Cassell
(74) *Attorney, Agent, or Firm* — Weaver Austin Villeneuve & Sampson LLP

(57) **CLAIM**

We claim the ornamental design for a connector backshell, as shown and described.

DESCRIPTION

FIG. 1 is an isometric view of a first embodiment of a connector backshell.

FIG. 2 is another isometric view thereof.

FIG. 3 is a bottom isometric view thereof.

FIG. 4 is another bottom isometric view thereof.

FIG. 5 is a top view thereof.

FIG. 6 is a bottom view thereof.

FIG. 7 is a front view thereof.

FIG. 8 is a rear view thereof.

FIG. 9 is a right side view thereof.

FIG. 10 is a left side view thereof.

FIG. 11 is an isometric sectional view thereof taken from line 11-11 in FIG. 10.

FIG. 12 is an isometric sectional view thereof taken from line 12-12 in FIG. 9.

FIG. 13 is an isometric view of a second embodiment of a connector backshell.

FIG. 14 is another isometric view thereof.

FIG. 15 is a bottom isometric view thereof.

FIG. 16 is another bottom isometric view thereof.

FIG. 17 is a top view thereof.

FIG. 18 is a bottom thereof.

FIG. 19 is a front view thereof.

FIG. 20 is a rear view thereof.

FIG. 21 is a right side view thereof.

FIG. 22 is a left side view thereof.

FIG. 23 is an isometric sectional view thereof taken from line 23-23 in FIG. 22.

FIG. 24 is an isometric sectional view thereof taken from line 24-24 in FIG. 21.

FIG. 25 shows the first embodiment of the connector backshell in a state of use; and,

(Continued)

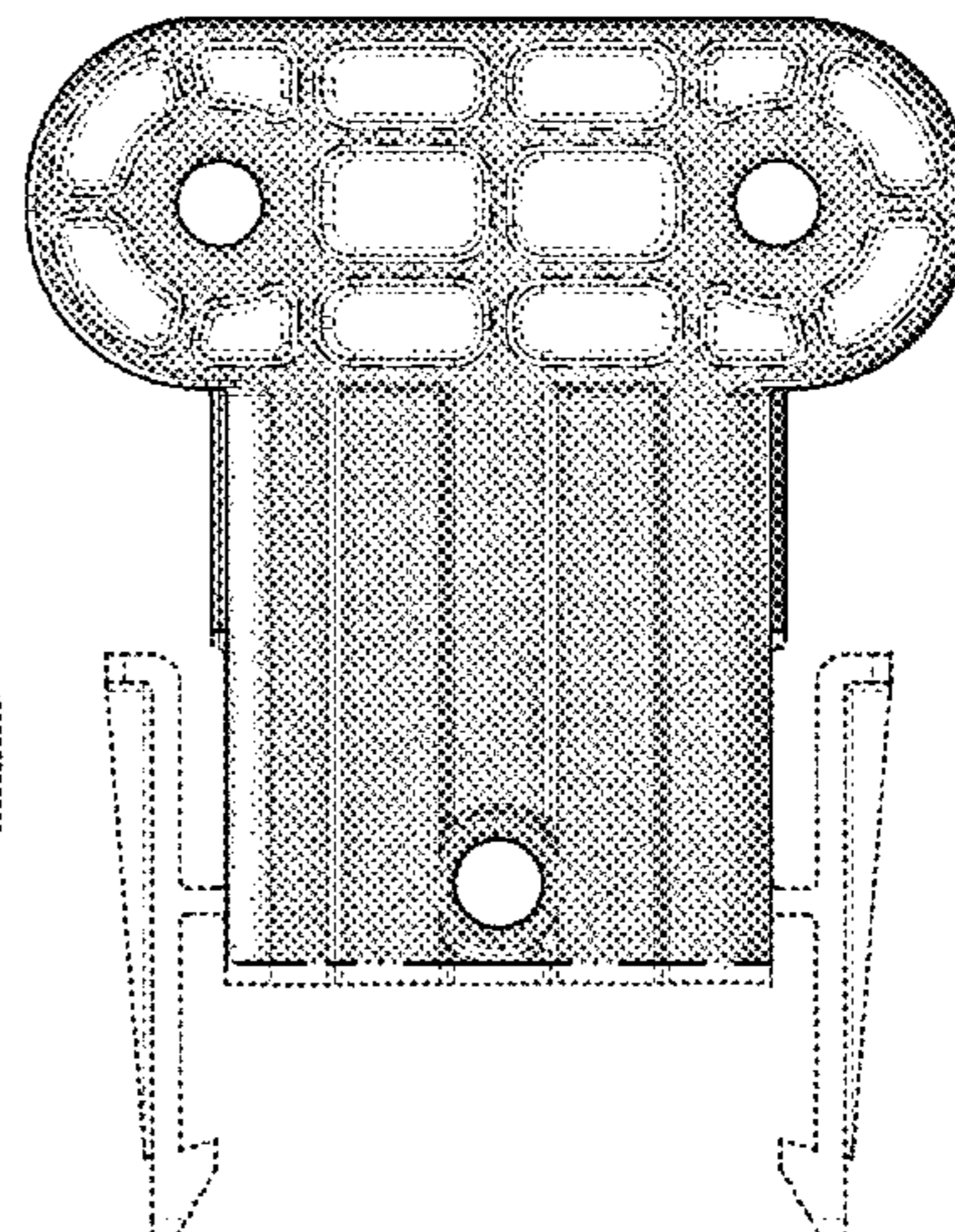
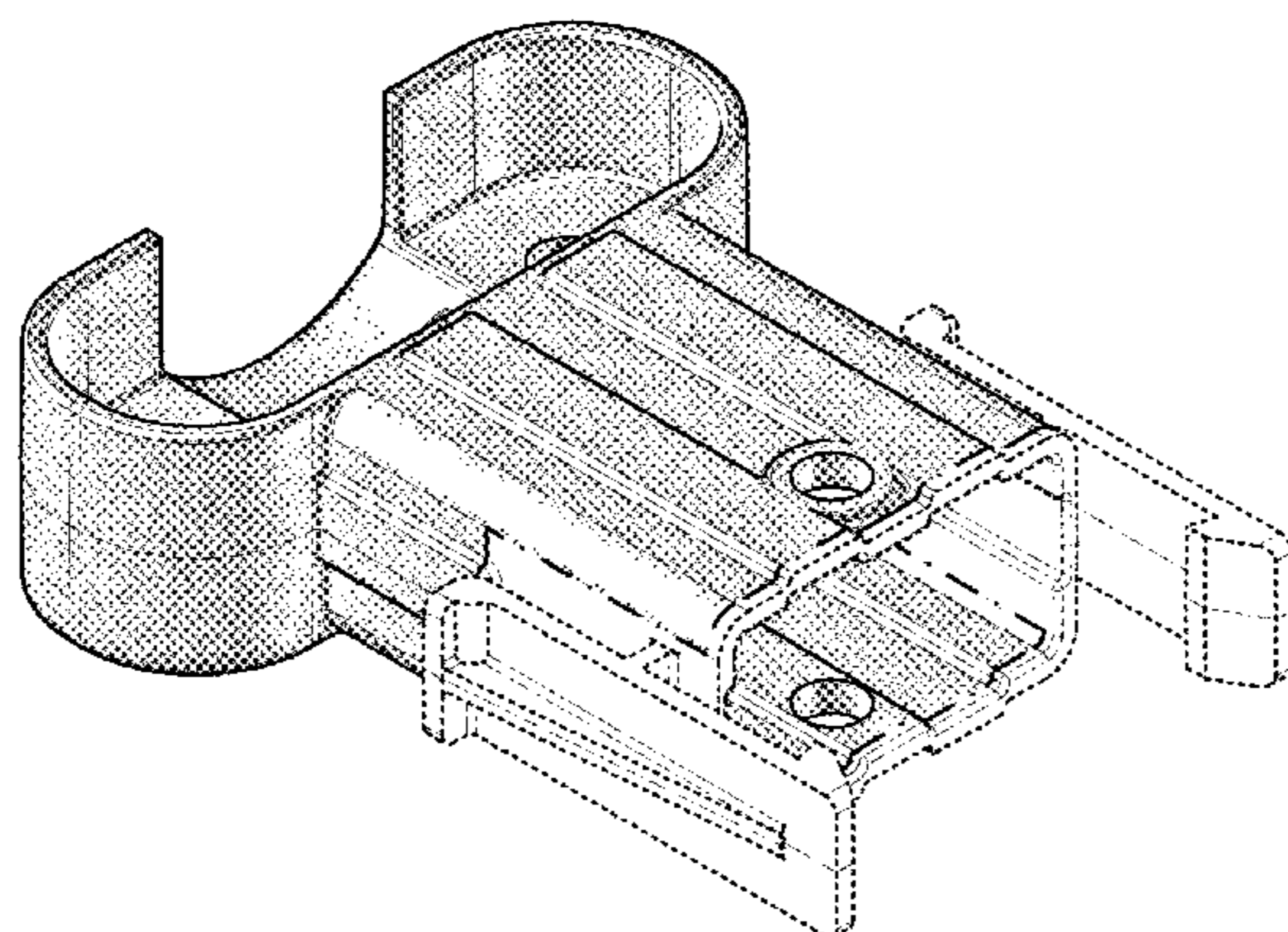


FIG. 26 shows the second embodiment of the connector backshell in a state of use.

The short dashed lines in the drawings depict portions of the connector back shell that form no part of the claimed design. The broken lines in FIGS. 25 and 26 that show an extension of the article depict environment that forms no part of the claimed design. The heavy dash-dot-dash lines on the article itself depict the bounds of the claimed design. The heavy dash-dot-dash lines in FIGS. 9, 10, 21, and 22 depict the cut lines of the sectional views. The very fine solid lines depict 3-dimensional contours of the connector back shell and are not intended to be construed as visible seams or edges. The heavier solid lines depict edges of the article. The stippling in the drawing shows the contour of the design.

1 Claim, 9 Drawing Sheets

(58) **Field of Classification Search**

CPC H01R 13/52; H01R 13/5202; H01R 13/5205; H01R 13/5208; H01R 13/5213; H01R 13/639; H01R 13/40; H01R 13/74; H01R 13/62; H01R 2201/00; H01R 9/223; H01R 4/4818; H01R 4/24; H01R 4/48; H01R 4/38; H01R 4/2441; H01R 4/2458; H01R 4/60

See application file for complete search history.

(56) **References Cited**

U.S. PATENT DOCUMENTS

| | | | |
|-------------------|---------|----------------|-------------------------|
| D455,122 S * | 4/2002 | Bentz | D13/133 |
| D488,778 S * | 4/2004 | Ushiro | D13/133 |
| D519,924 S * | 5/2006 | Baker | D13/133 |
| 7,062,963 B2 * | 6/2006 | Fujiwara | G01F 1/6842 73/202.5 |
| D524,736 S * | 7/2006 | Morita | D13/133 |
| D563,888 S * | 3/2008 | Dever | D13/147 |
| D578,065 S * | 10/2008 | Baker | D13/133 |
| D618,616 S * | 6/2010 | Kesler | D13/133 |
| D651,567 S * | 1/2012 | Hodge | D13/133 |
| D658,130 S * | 4/2012 | Bodwell | D13/154 |
| D831,574 S * | 10/2018 | Ramanna | D13/146 |
| 2004/0077205 A1 * | 4/2004 | Holmes | H01R 13/639 439/347 |

| | | | |
|-------------------|---------|-----------------|-------------------------|
| 2004/0175981 A1 * | 9/2004 | Holmes | H01R 43/26 439/352 |
| 2012/0312346 A1 * | 12/2012 | Roman, Jr. | H01R 13/5808 136/244 |
| 2013/0237095 A1 * | 9/2013 | Keswani | H01R 4/4836 439/626 |
| 2014/0151999 A1 * | 6/2014 | Imaki | F16L 37/56 285/119 |
| 2015/0255923 A1 * | 9/2015 | Xu | H01R 4/4836 439/345 |
| 2018/0351290 A1 * | 12/2018 | Shi | H01R 13/42 |

OTHER PUBLICATIONS

Autohaux—Electrical Wire Connector. Date: Jun. 27, 2019 [online]. [Site visited Sep. 14, 2021]. Available from Internet URL: <https://www.amazon.com/dp/B07TQT5FP7/> (Year: 2019).*

Startech—Connector with Plastic Backshell. Date: Jan. 22, 2006 [online]. [Site visited Sep. 14, 2021]. Available from Internet URL: <https://www.amazon.com/dp/B00066HQBY/> (Year: 2006).*

Connectors. (Design—© Questel) orbit.com. [Online PDF compilation of references] 46 pgs. Print Dates Range Jun. 7, 2004-Jun. 28, 2019 [Retrieved Sep. 28, 2021] <https://www.orbit.com/export/UCZAH96B/pdf4/164d3447-c422-4d88-9752-60ce0f45b9a7-201605.pdf> (Year: 2021).*

“Powerpole & Multipole Connectors / 10 Amps Up To 700 Amps” *Anderson Power Products*, 2018.

“AMP Circular Connectors for Commercial Signal & Power Applications”, Tyco Electronics, published Jul. 18, 2007.

Taiwanese Office Action dated Jan. 29, 2021 in TW Application No. 109302541.

Taiwanese Office Action dated Jun. 28, 2021 in TW Application No. 109302541.

Taiwanese Office Action dated Jan. 29, 2021 in TW Application No. 109302542.

Taiwanese Office Action dated Jun. 28, 2021 in TW Application No. 109302542.

Korean Office Action dated Jan. 6, 2021 in KR Application No. 0-2020-0020687.

Chinese Office Action dated Aug. 25, 2020 in CN Application No. 202030216501.X.

Chinese Office Action dated Nov. 18, 2020 in CN Application No. 202030216501.X.

Chinese Office Action dated Feb. 10, 2021 in CN Application No. 202030216501.X.

* cited by examiner

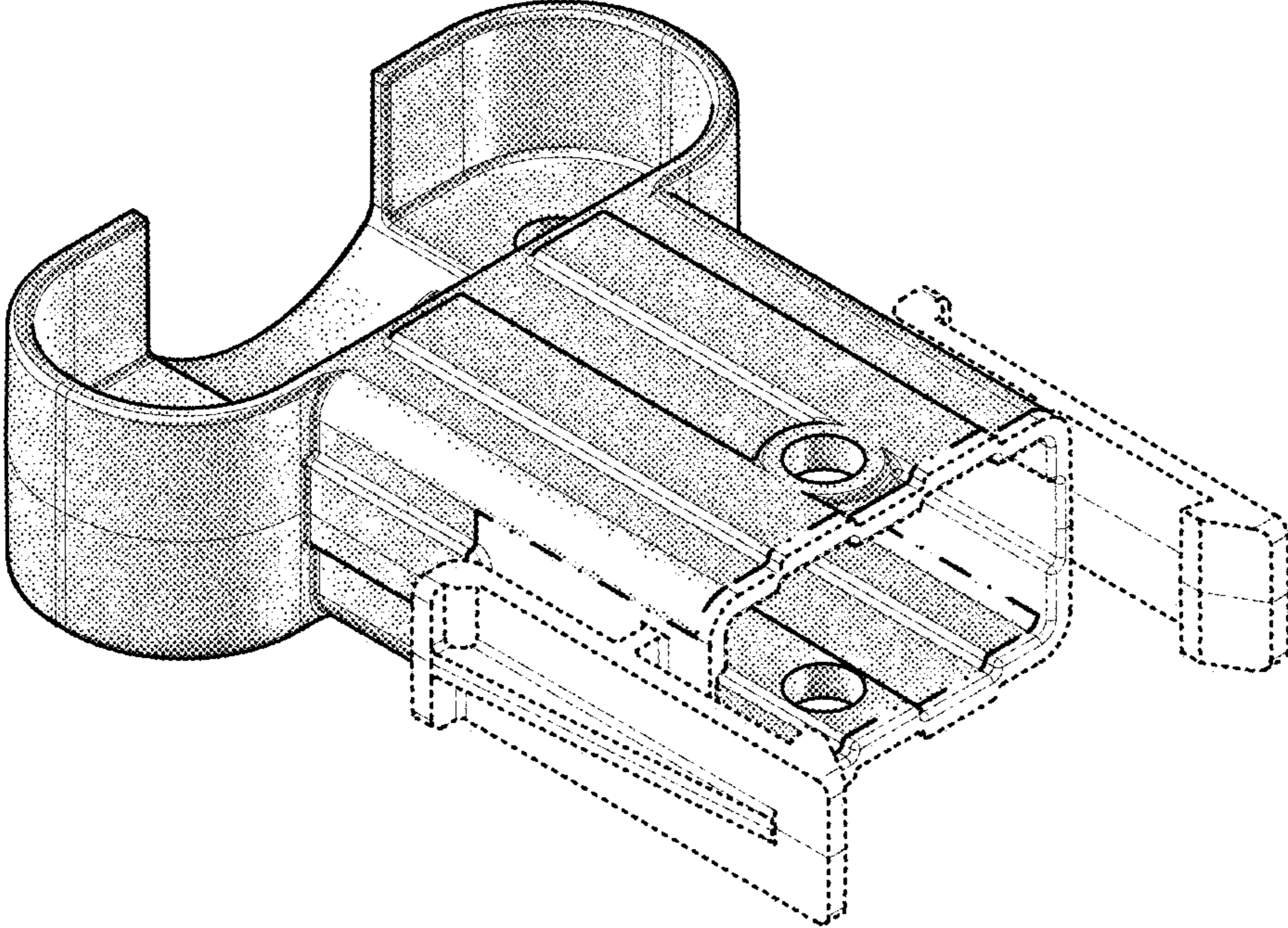


FIG. 1

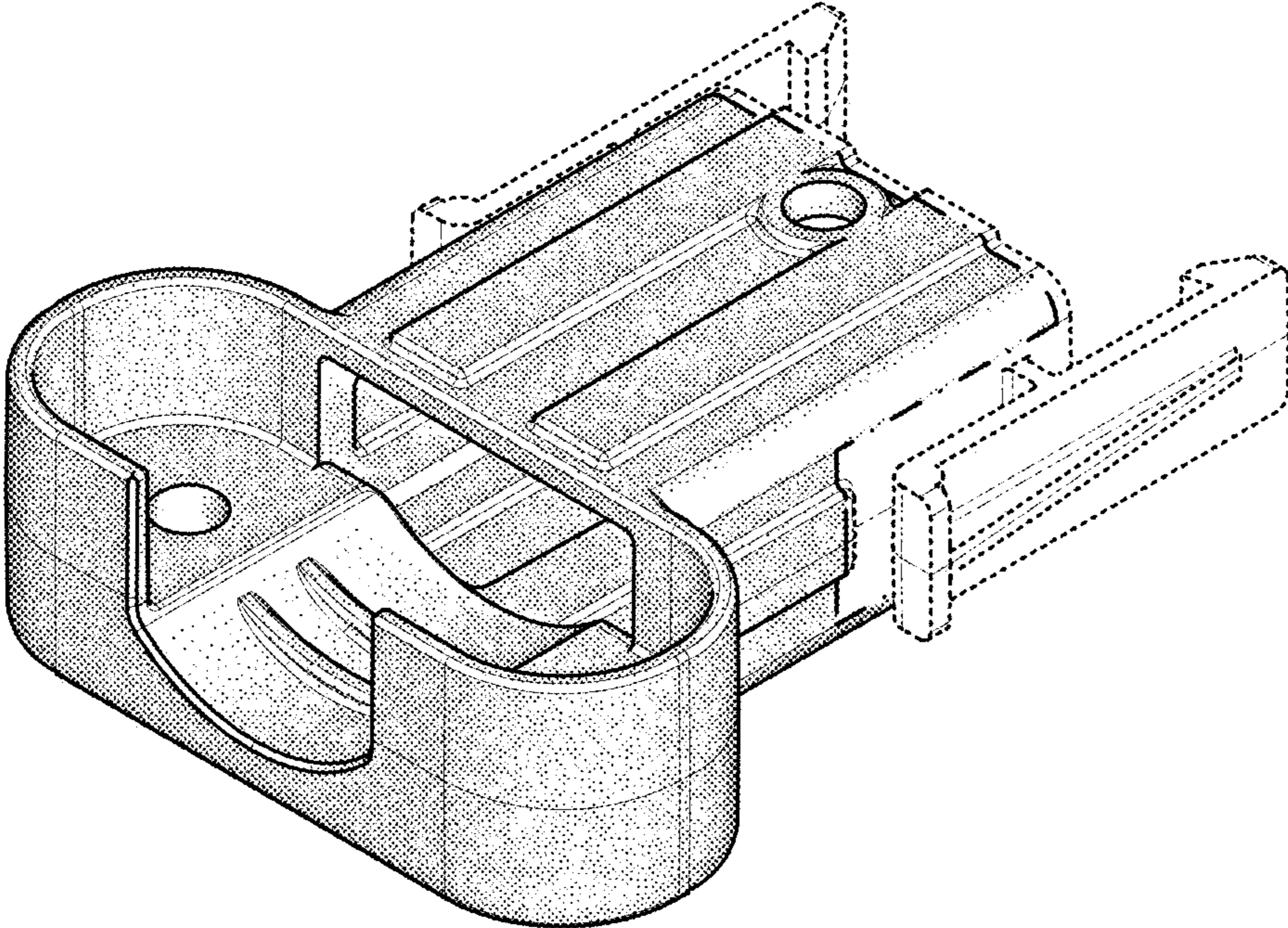


FIG. 2

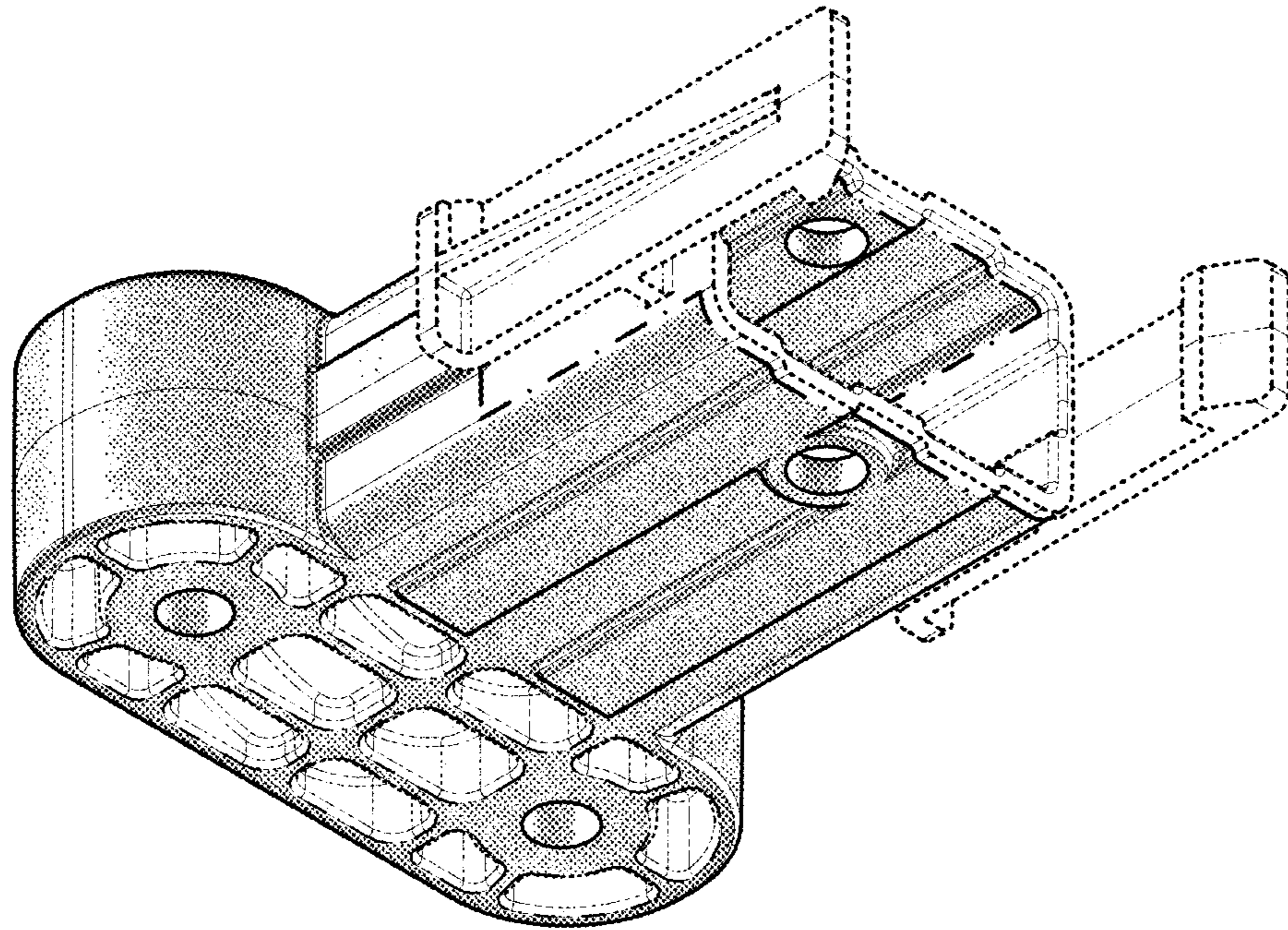


FIG. 3

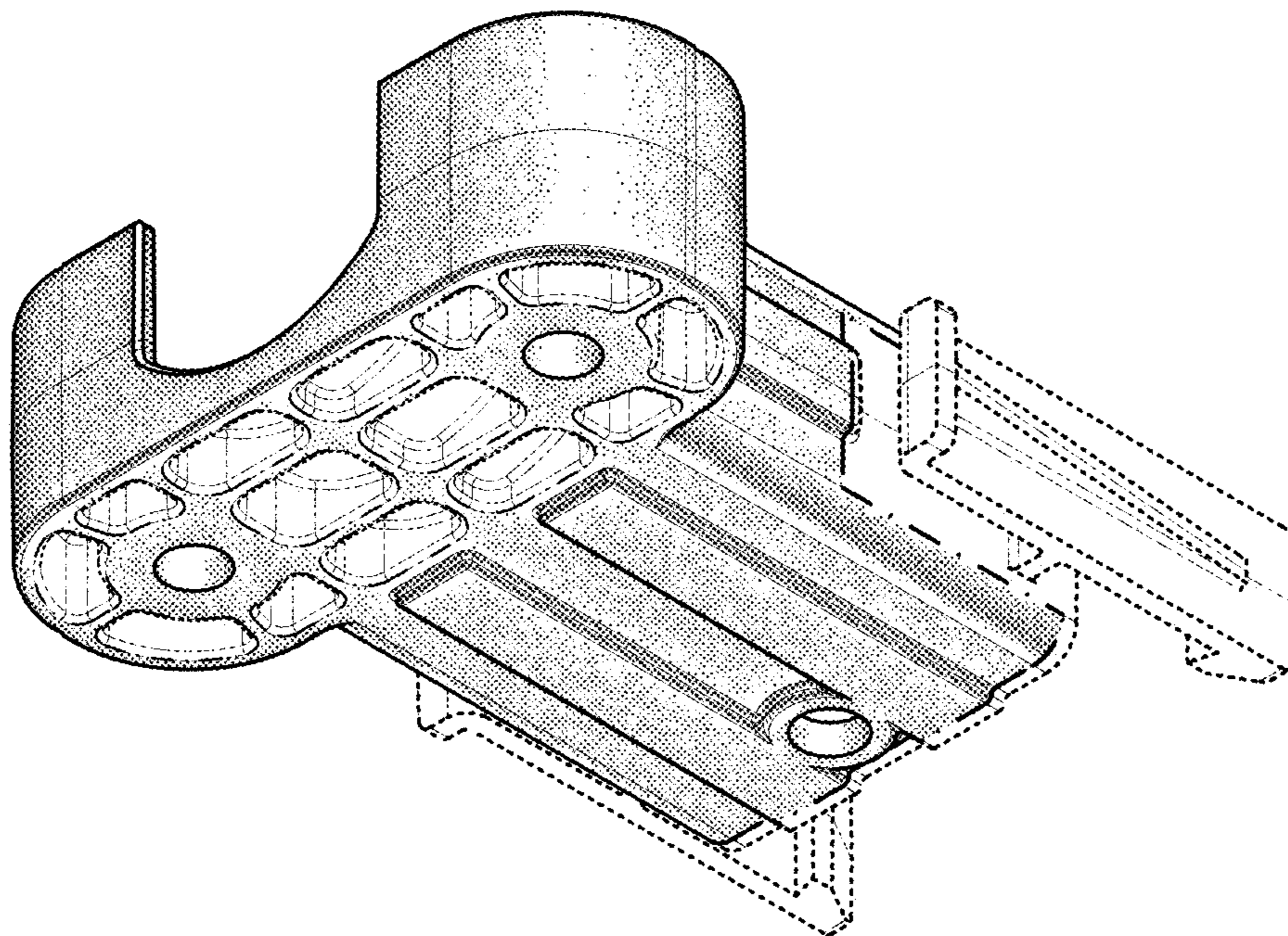


FIG. 4

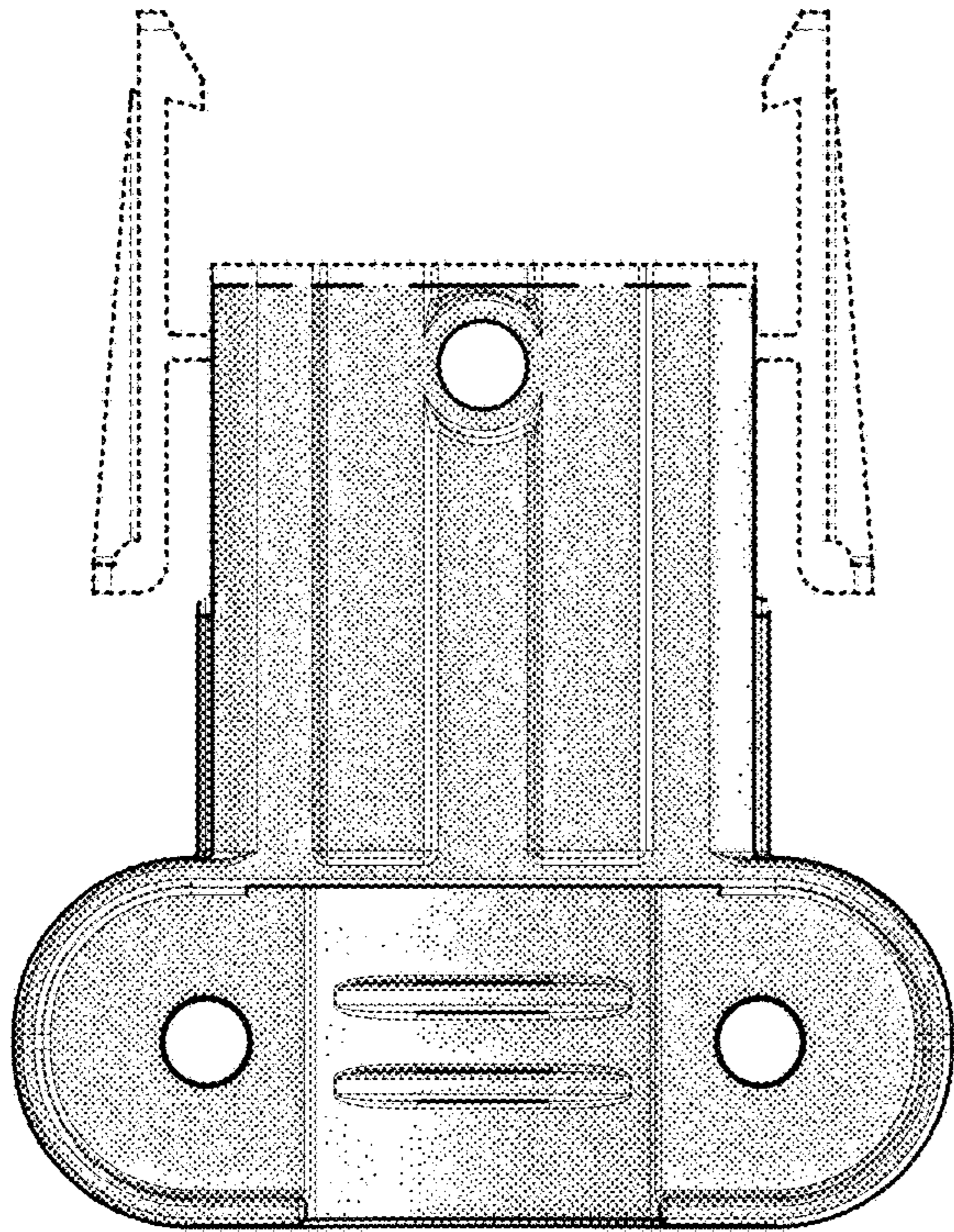


FIG. 5

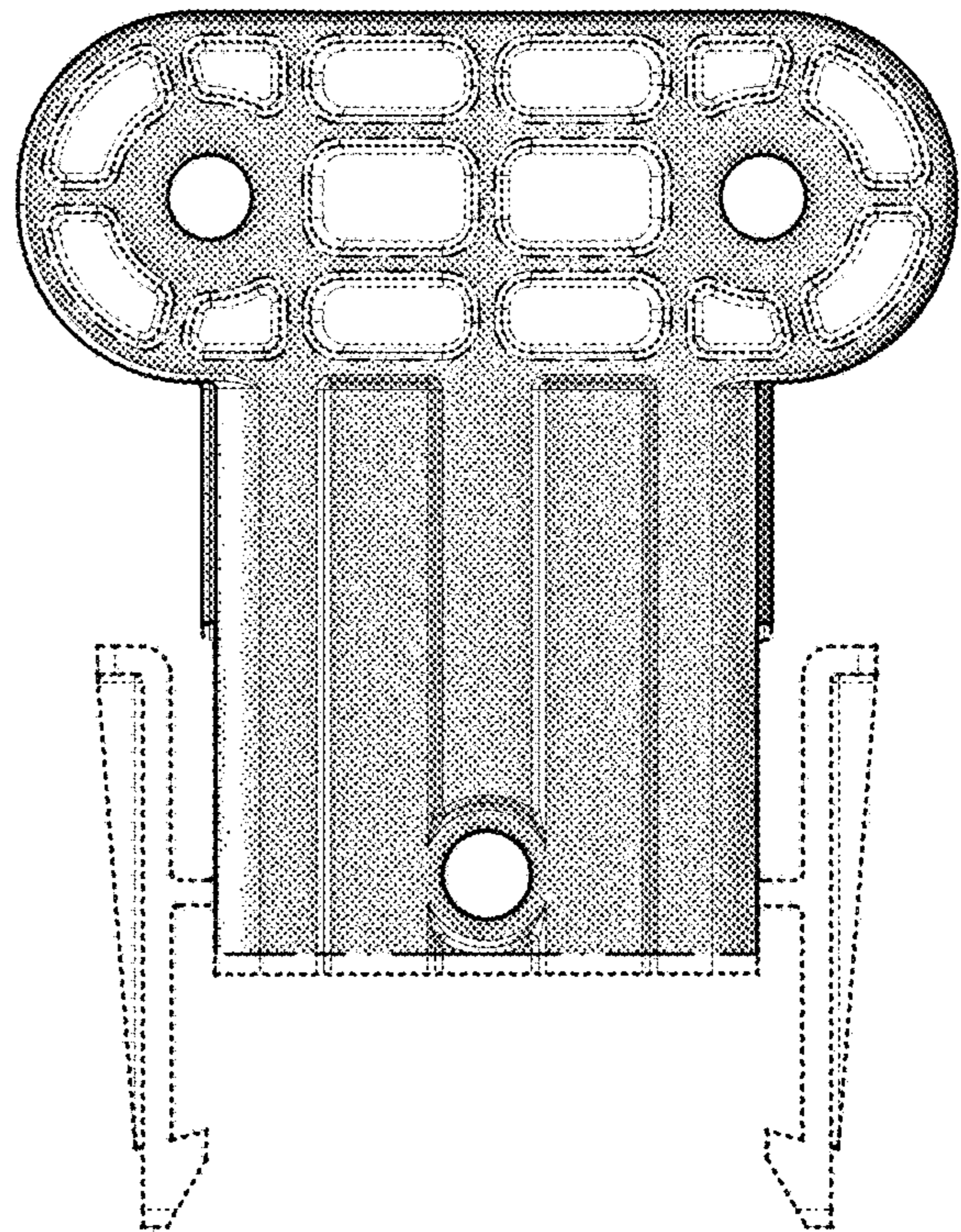


FIG. 6

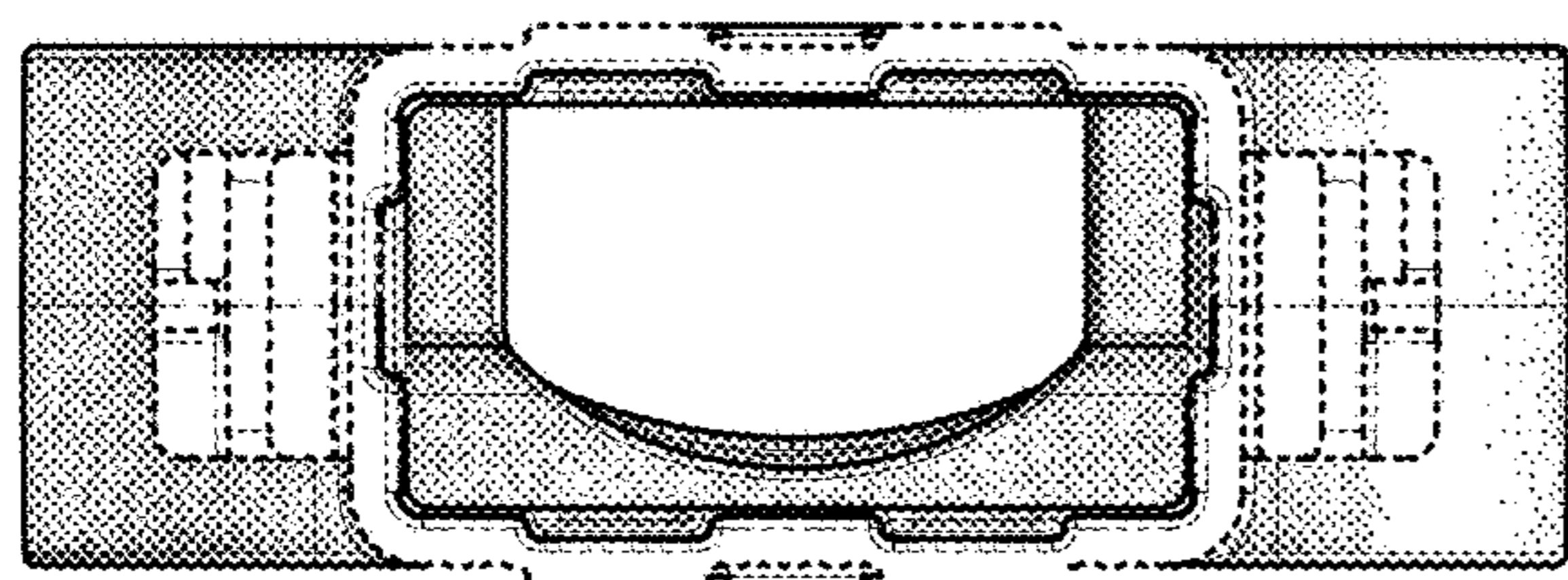


FIG. 7

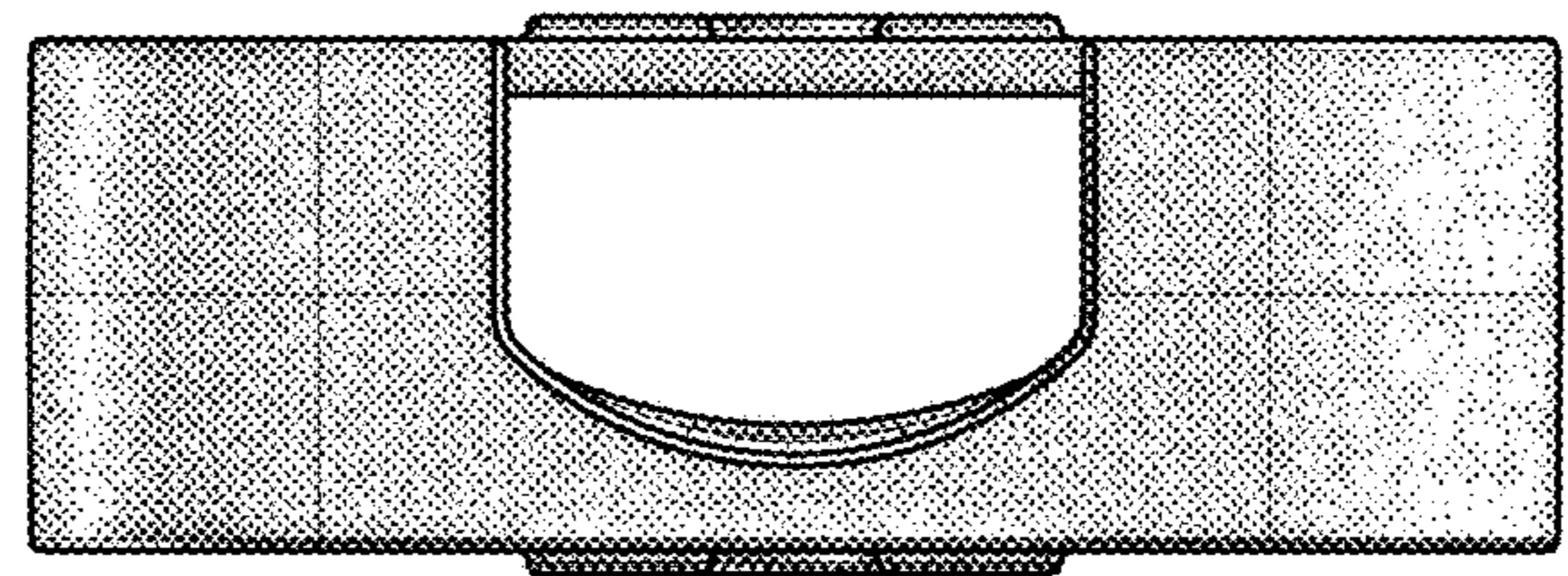


FIG. 8

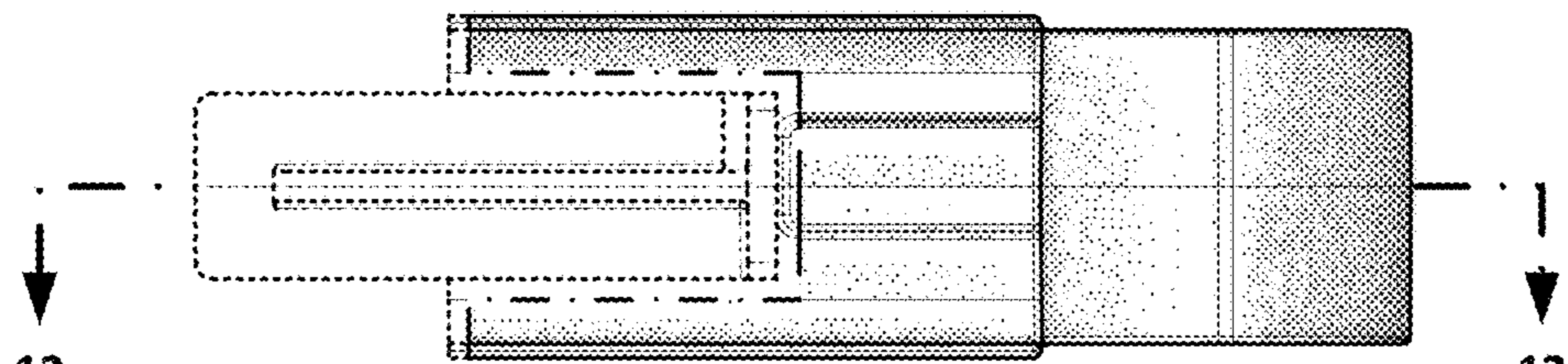


FIG. 9

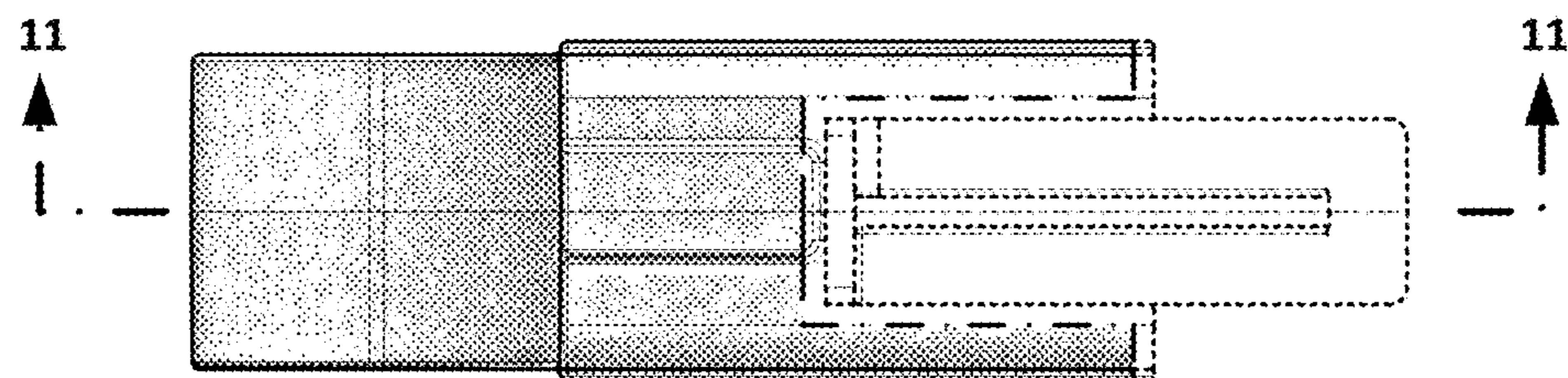


FIG. 10

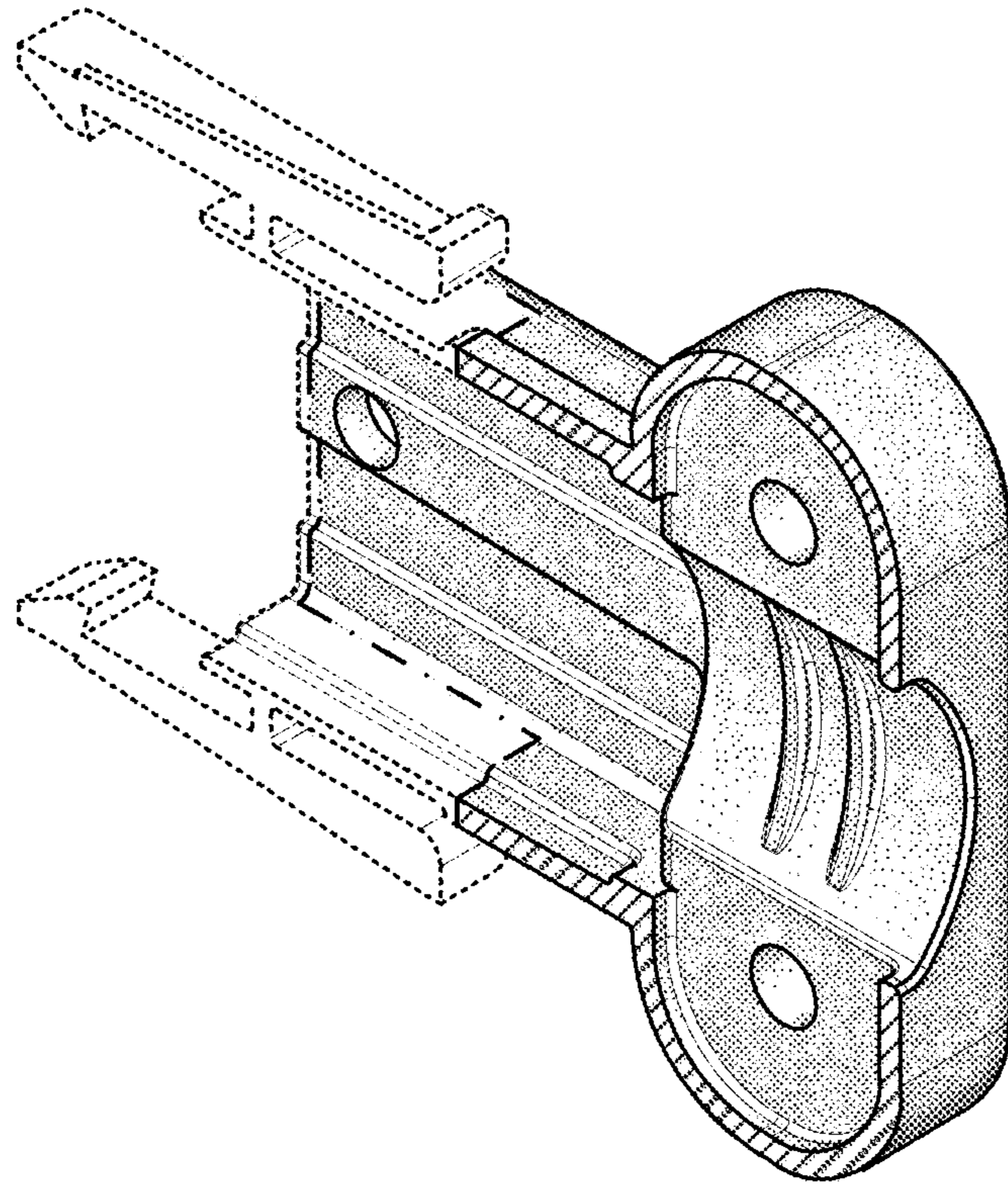


FIG. 11

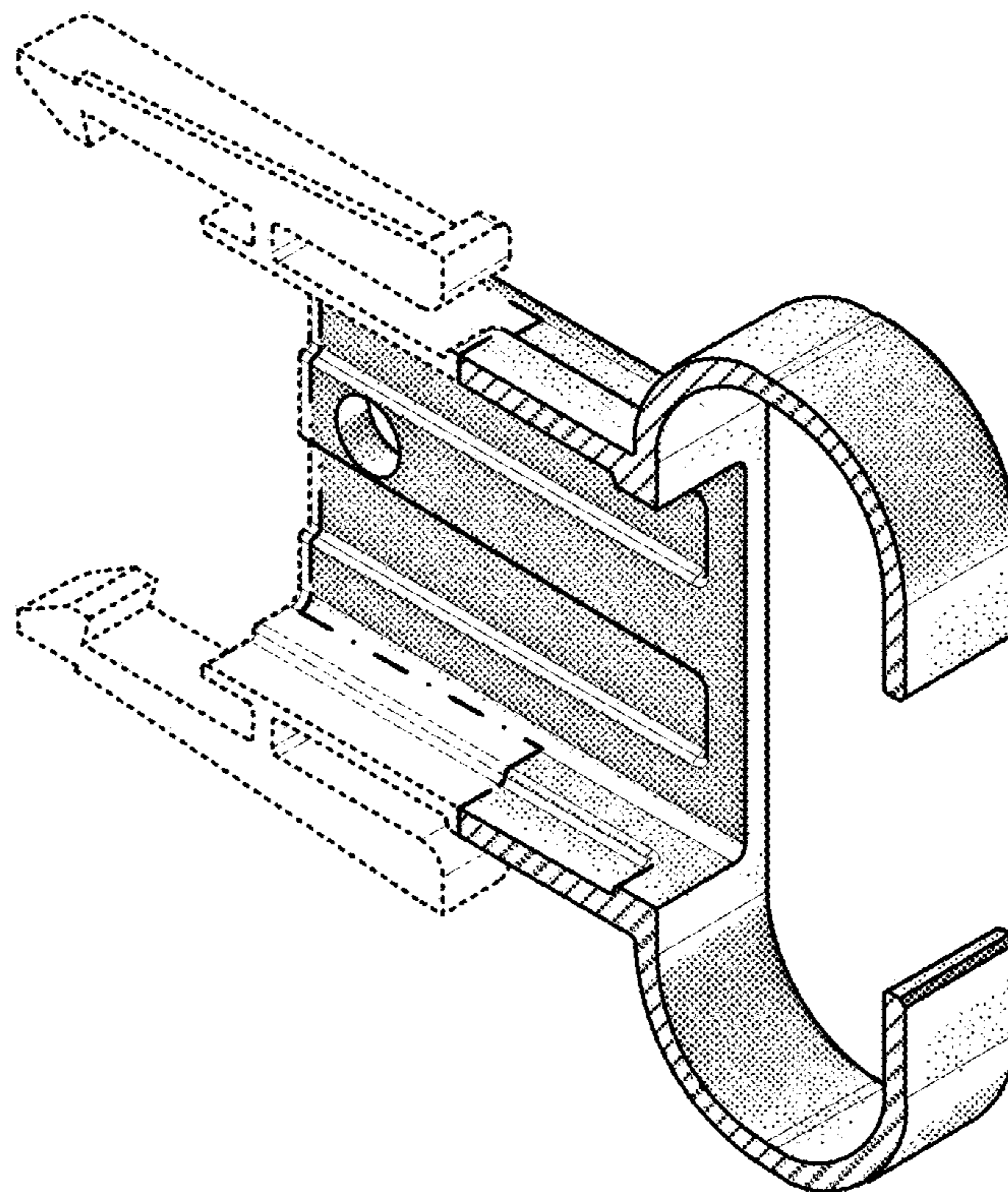


FIG. 12

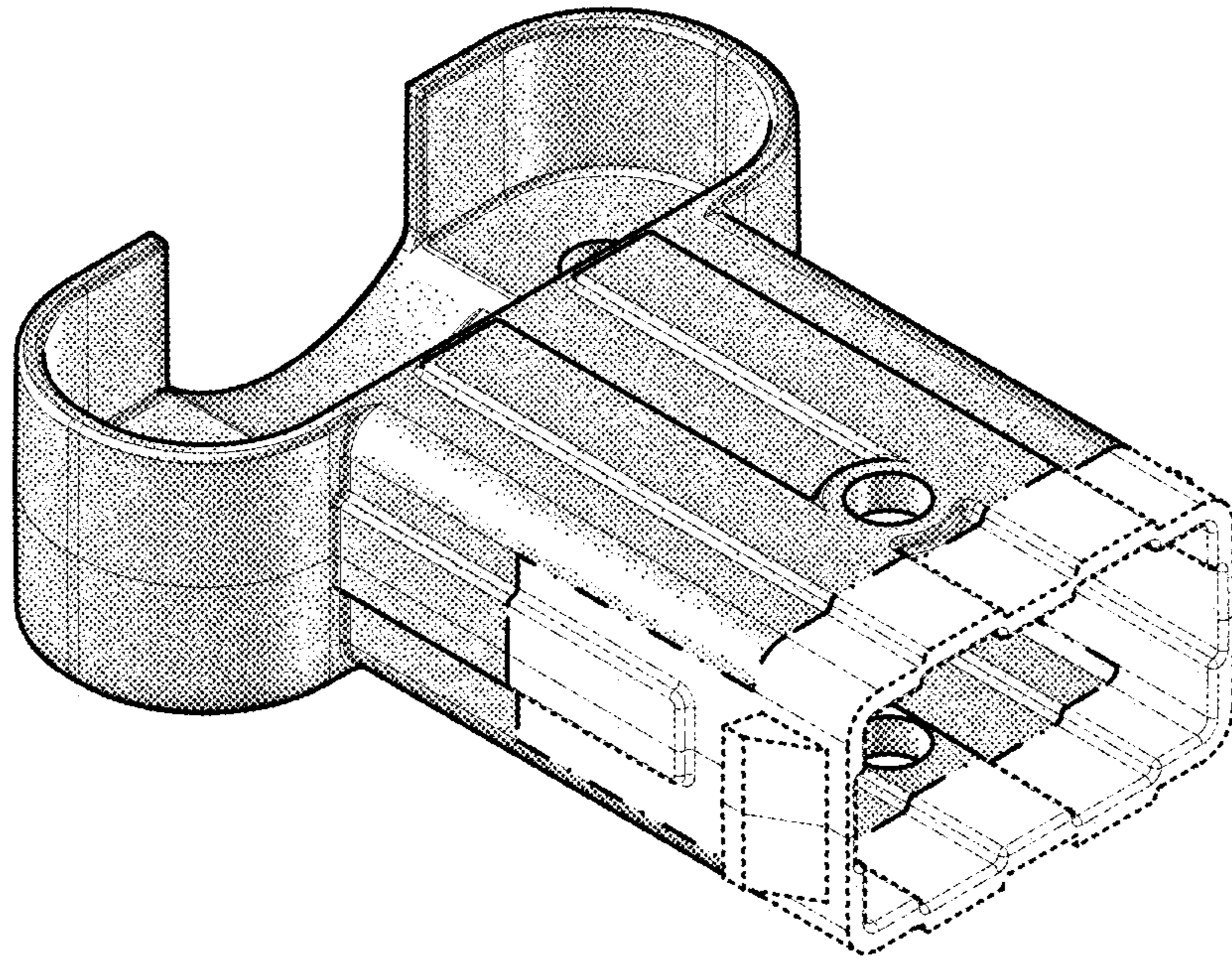


FIG. 13

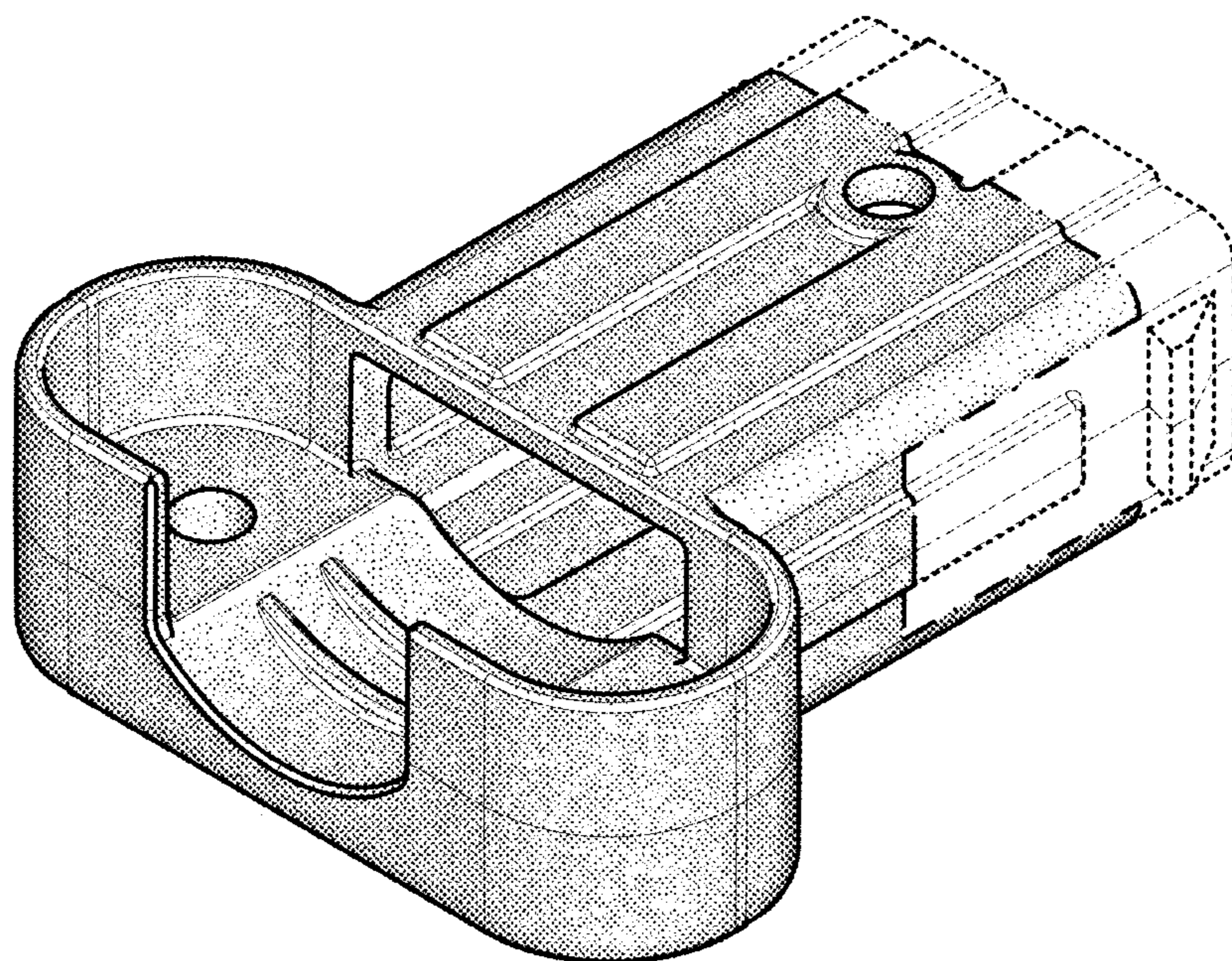


FIG. 14

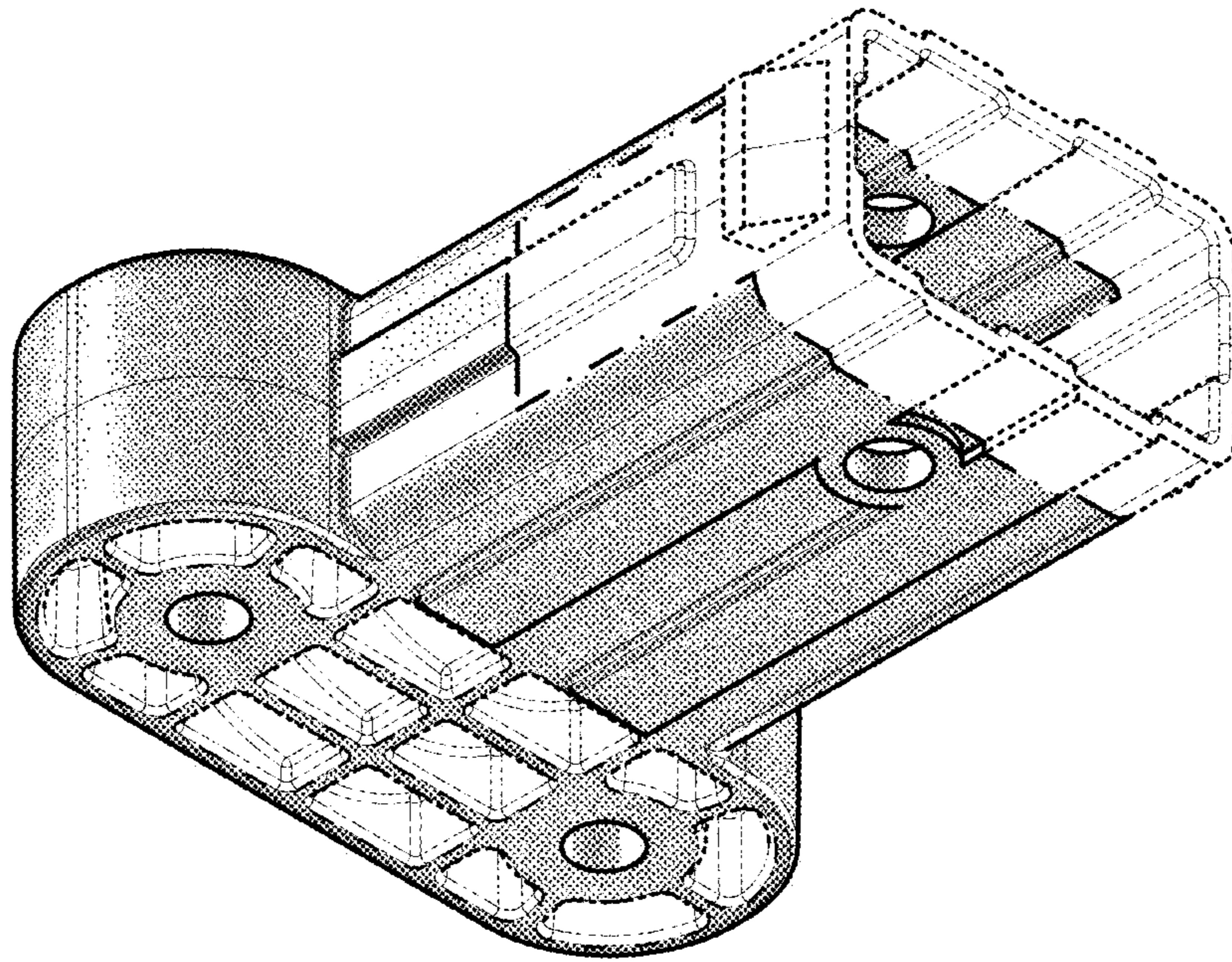


FIG. 15

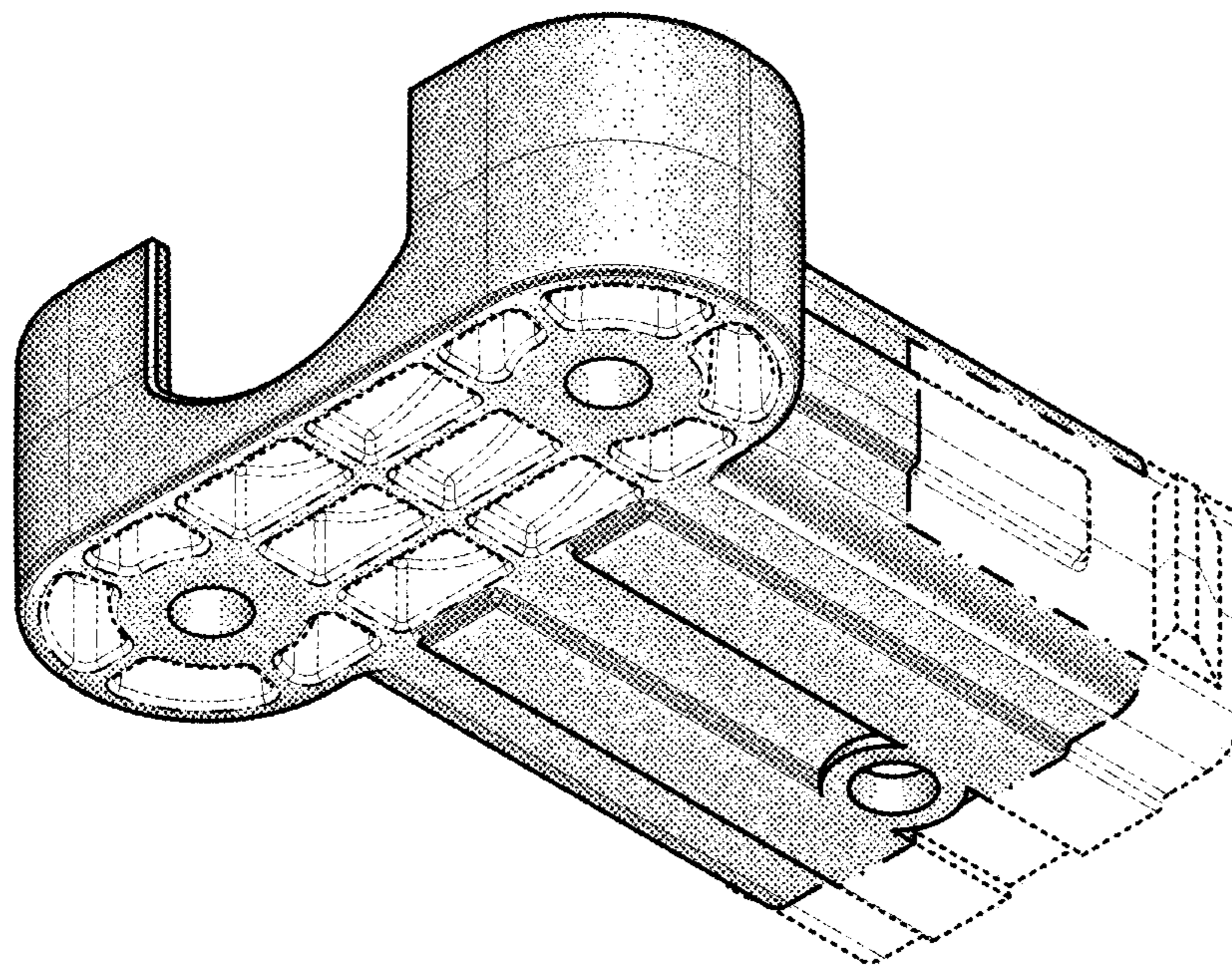


FIG. 16

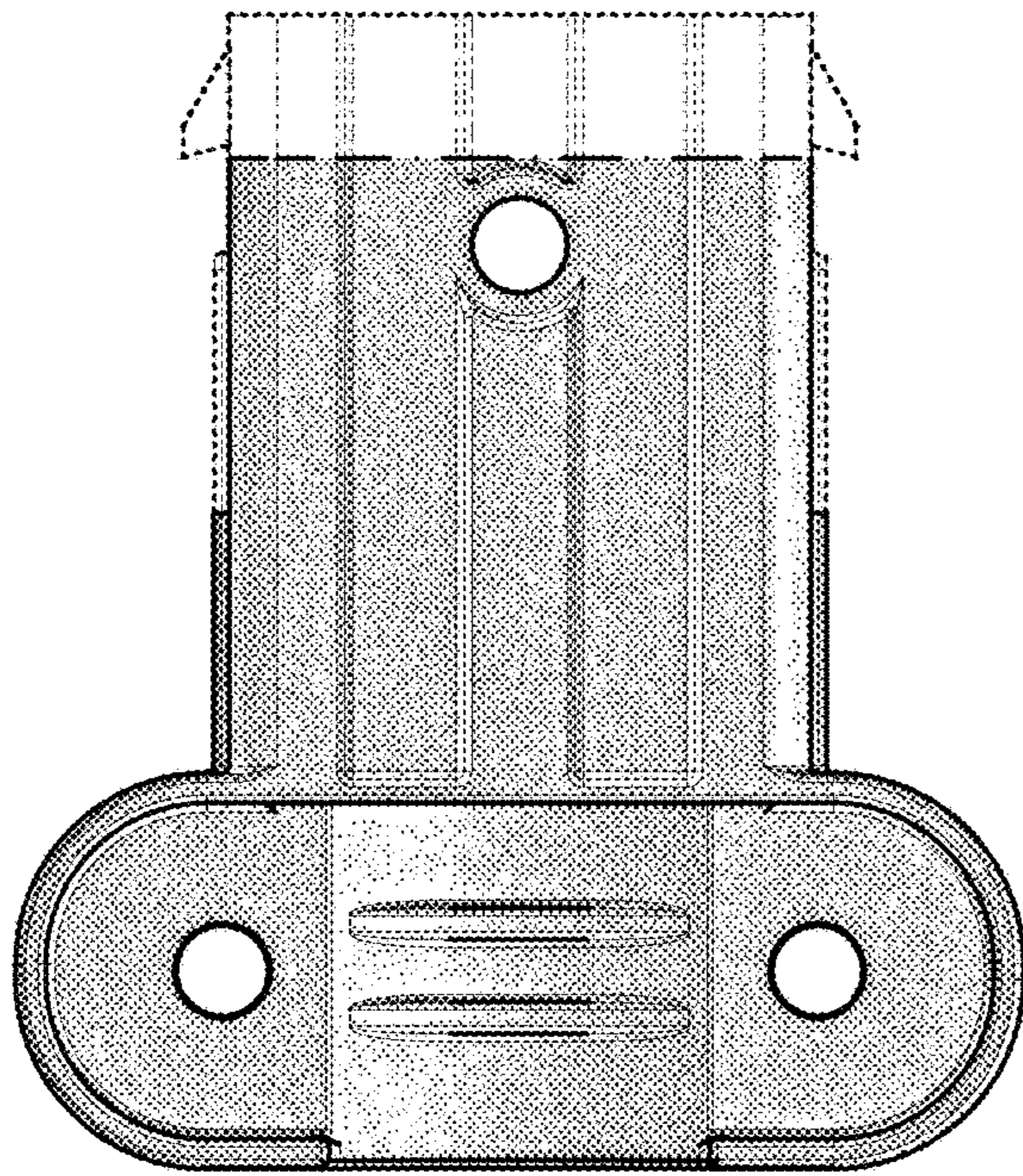


FIG. 17

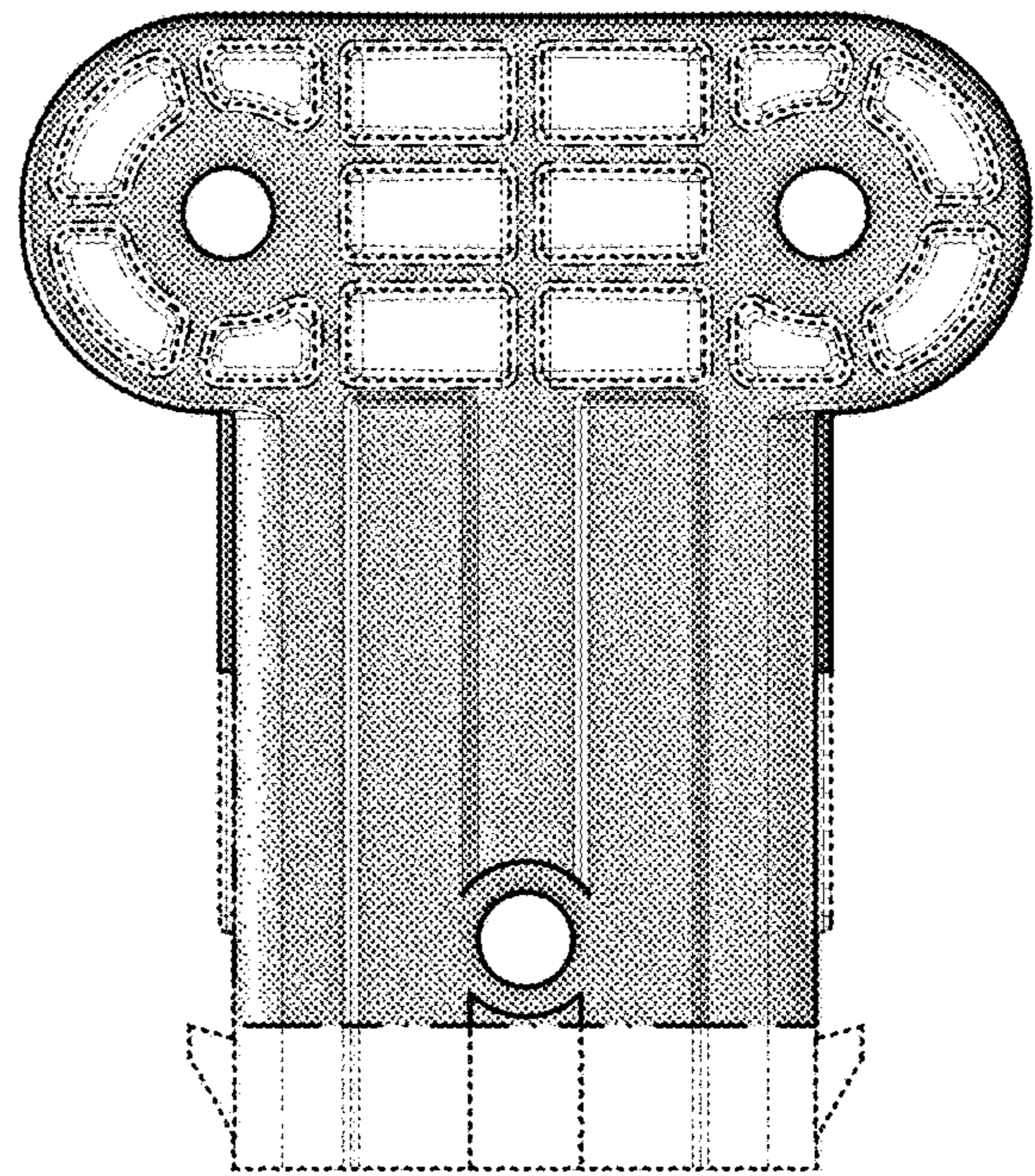


FIG. 18

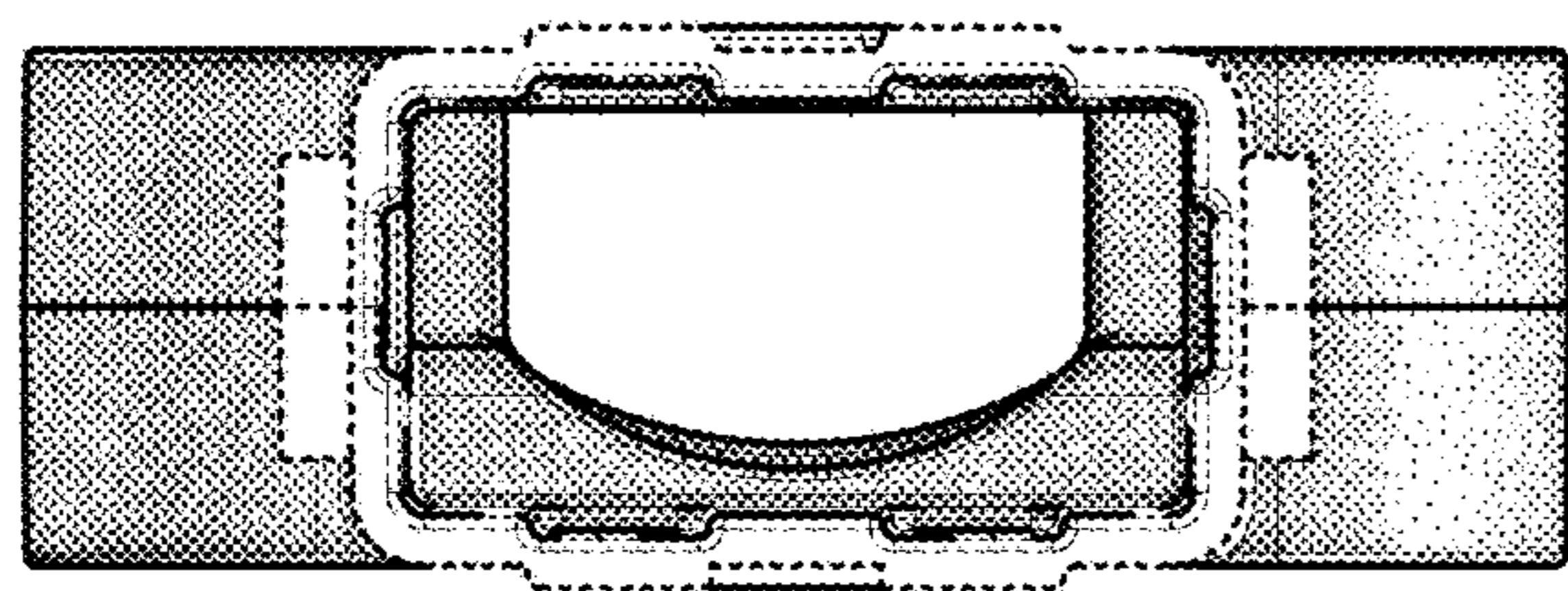


FIG. 19

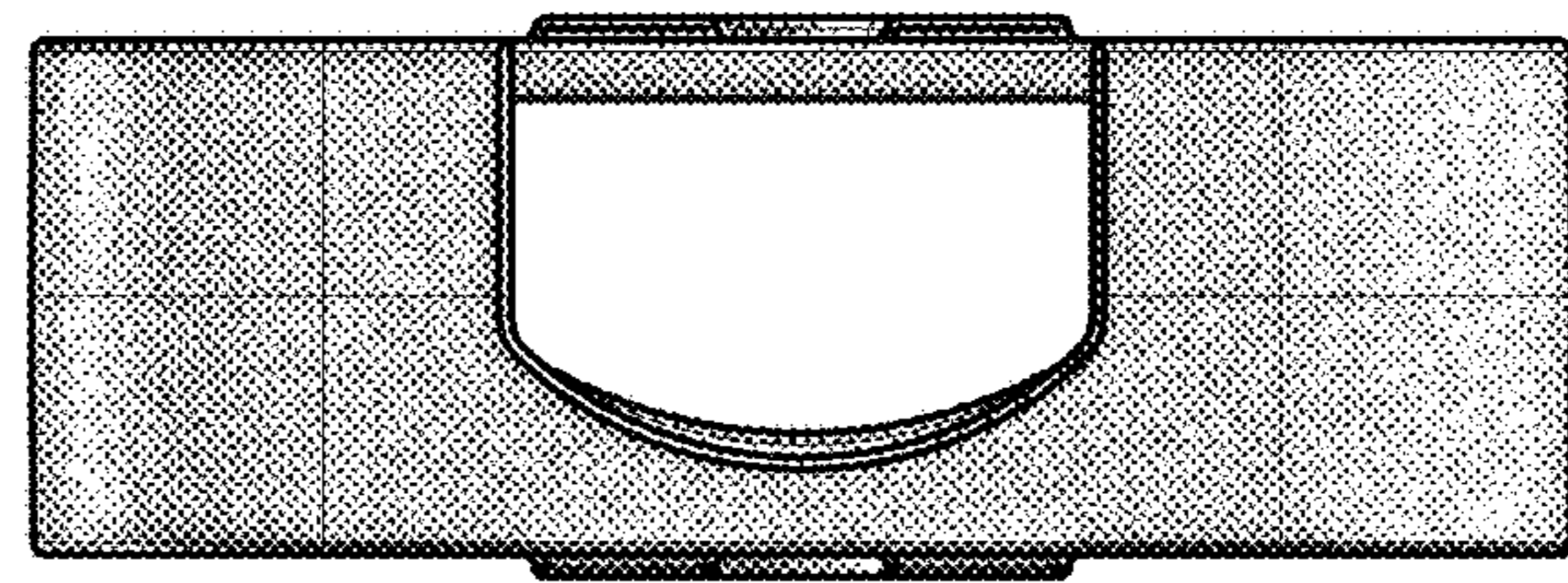


FIG. 20

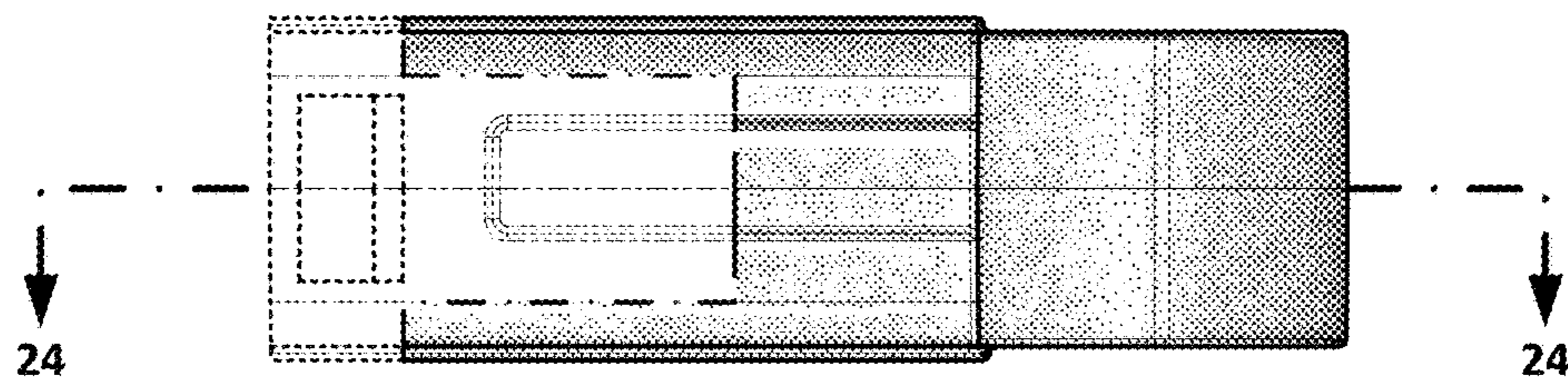


FIG. 21

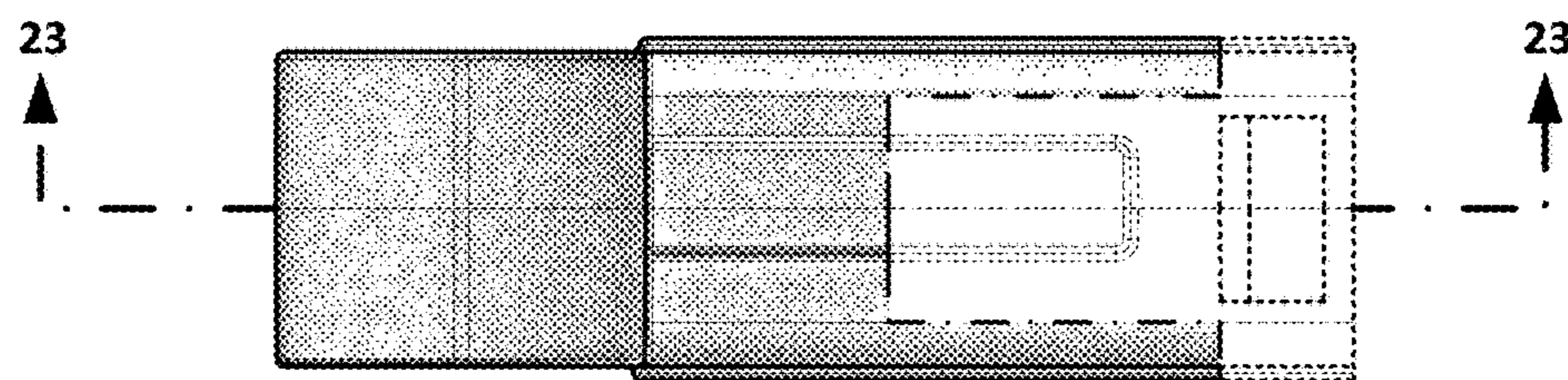


FIG. 22

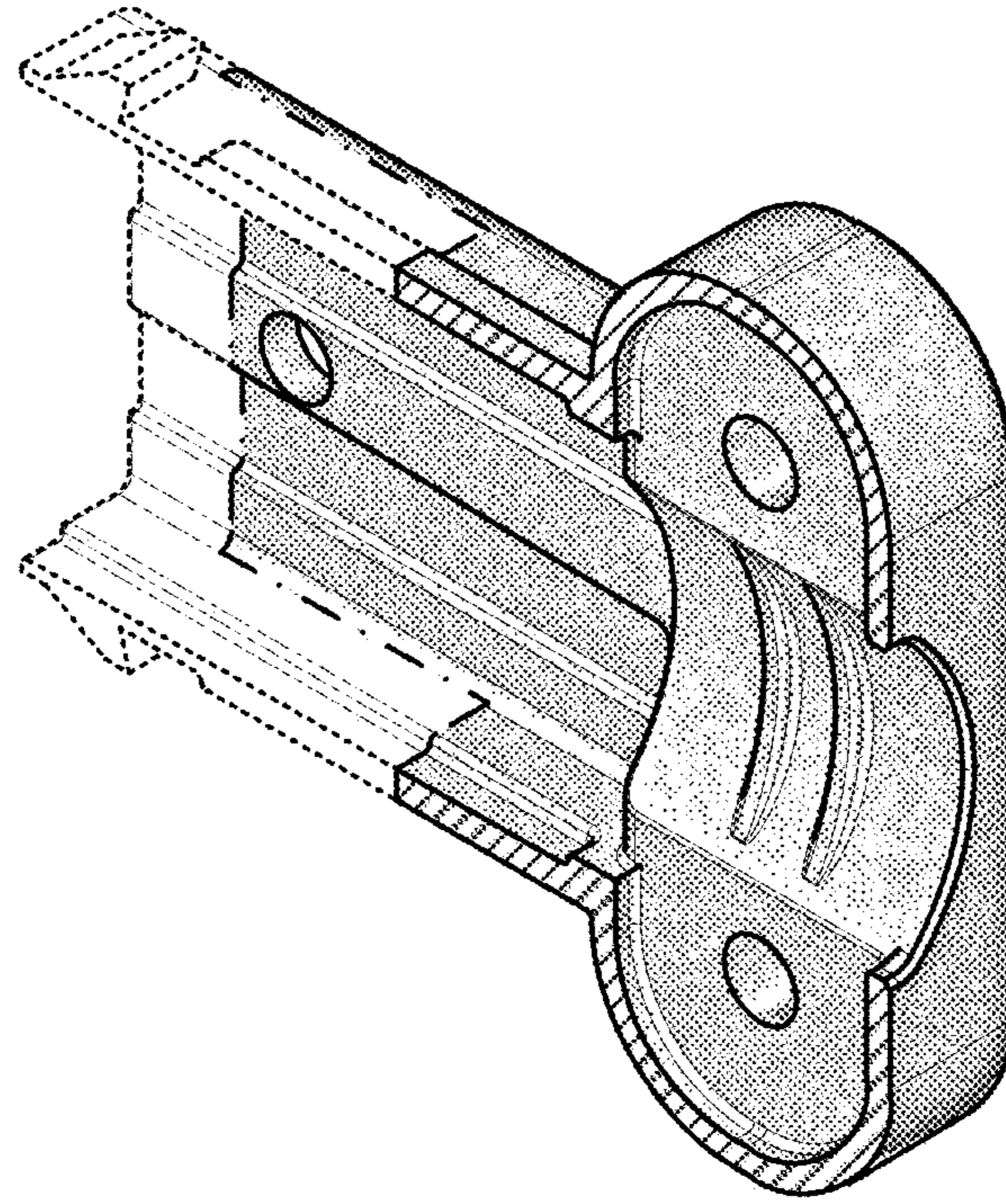


FIG. 23

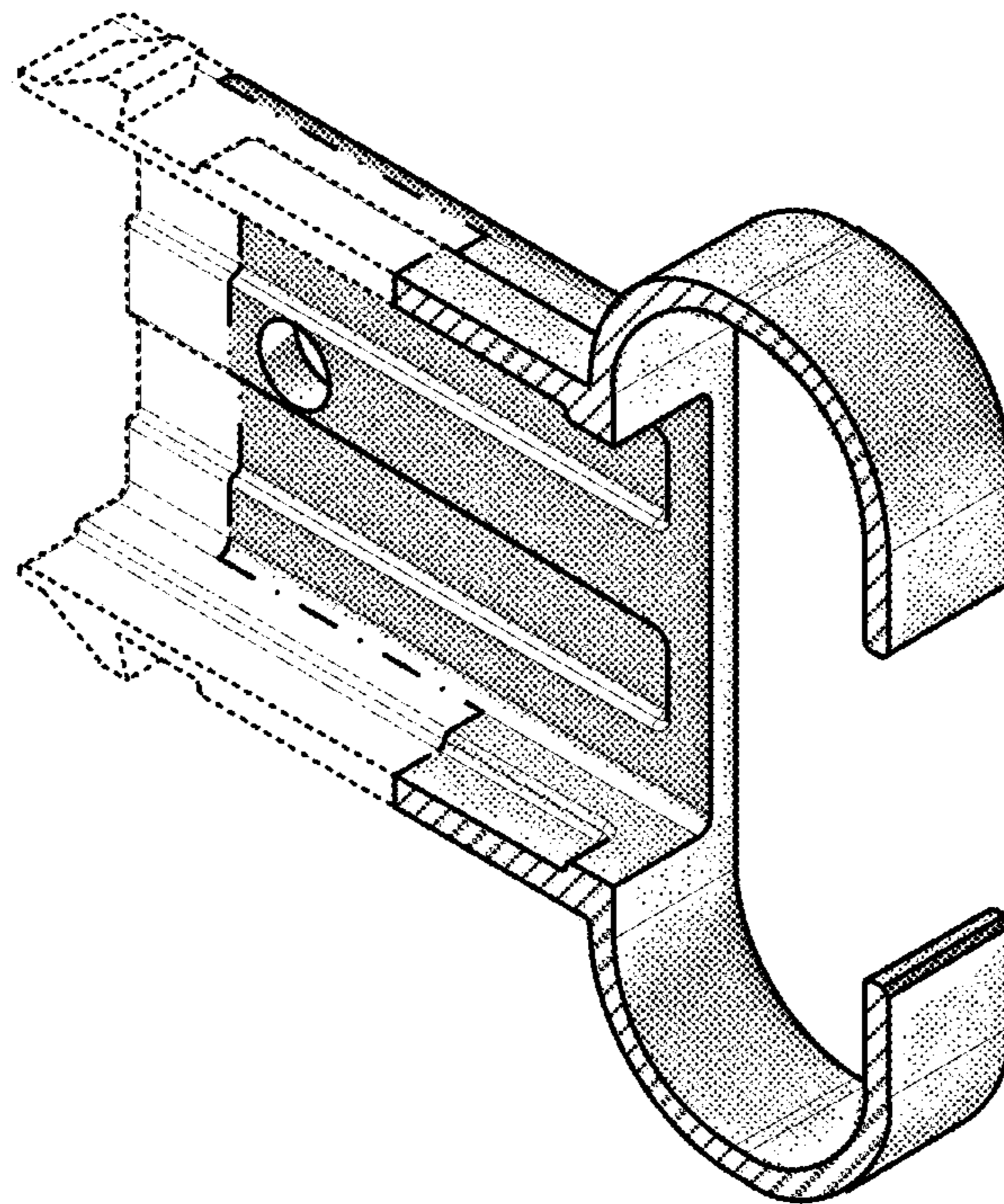


FIG. 24

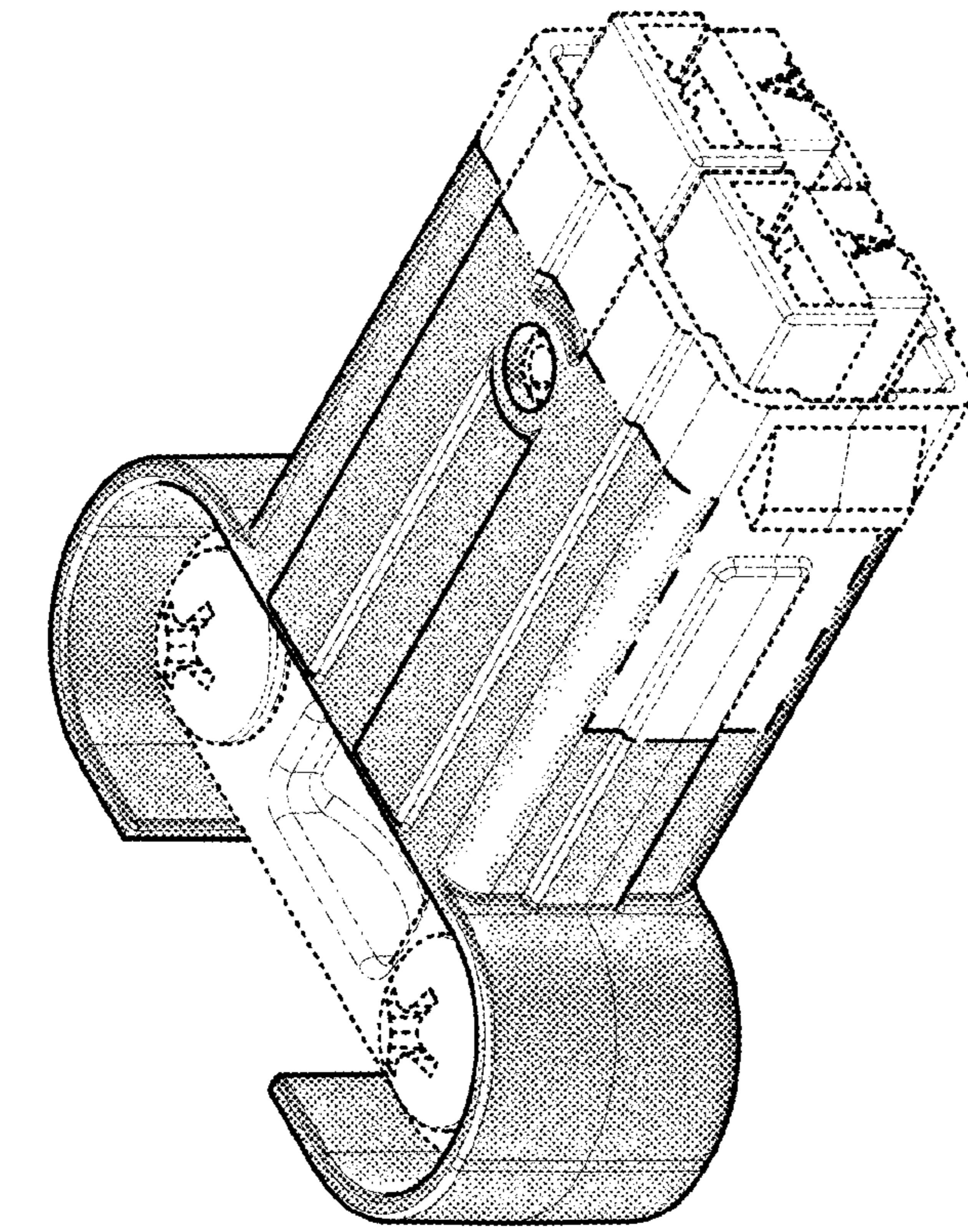


FIG. 26

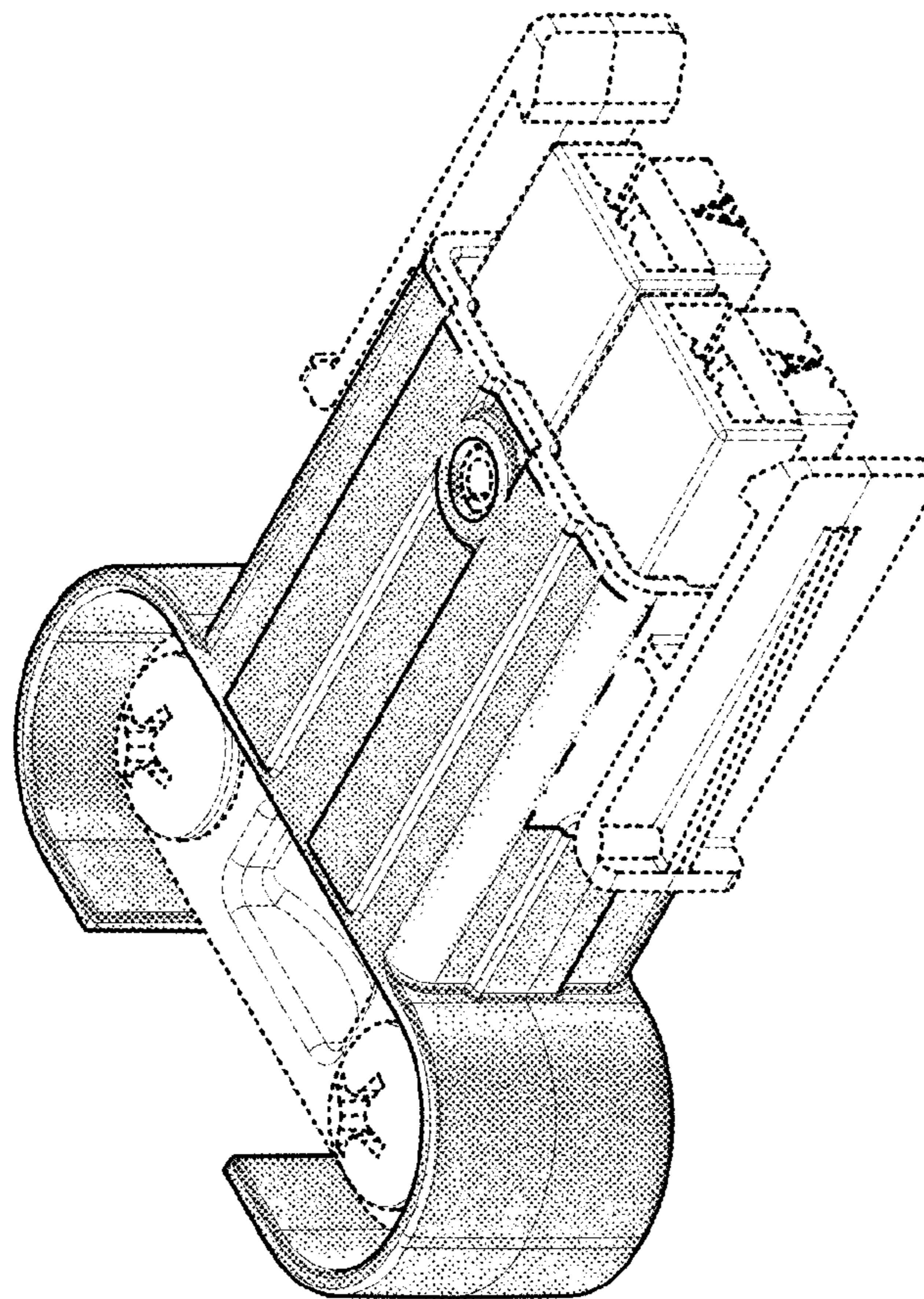


FIG. 25