



US00D986824S

(12) **United States Design Patent** (10) **Patent No.:** **US D986,824 S**
Parsadayan et al. (45) **Date of Patent:** **** May 23, 2023**

- (54) **GEAR BOX FOR A GATE OPERATOR**
- (71) Applicants: **Walter Parsadayan**, Newport Coast, CA (US); **Andrew Parsadayan**, Newport Coast, CA (US); **Peter Parsadayan**, Newport Coast, CA (US)
- (72) Inventors: **Walter Parsadayan**, Newport Coast, CA (US); **Andrew Parsadayan**, Newport Coast, CA (US); **Peter Parsadayan**, Newport Coast, CA (US)
- (73) Assignees: **Walter Parsadayan**, Newport Coast, CA (US); **Andrew Parsadayan**, Newport Coast, CA (US); **Peter Parsadayan**, Newport Coast, CA (US)

D390,188 S * 2/1998 Norfolk D13/112
6,014,915 A * 1/2000 Evans F16H 57/032
74/606 R
D490,774 S * 6/2004 Tsergas D13/122
D552,031 S * 10/2007 Kono D13/112
D552,540 S * 10/2007 Miyauchi D13/112
D575,731 S * 8/2008 Gherlenda D13/112
D654,871 S * 2/2012 Parsadayan D13/112
D698,837 S * 2/2014 Woppermann D15/148
9,172,283 B2 * 10/2015 Li H02K 5/00

* cited by examiner

Primary Examiner — Derrick E Holland
(74) *Attorney, Agent, or Firm* — Martin Fessenmaier; Umberg Zipser LLP

(**) Term: **15 Years**
(21) Appl. No.: **29/799,018**

(22) Filed: **Jul. 12, 2021**
(51) **LOC (14) Cl.** **13-01**
(52) **U.S. Cl.**
USPC **D13/122**
(58) **Field of Classification Search**
USPC D13/112, 113, 114, 118, 122, 184, 199;
D15/1, 5, 138, 148, 149
CPC H02K 5/06; H02K 5/22; H02K 5/225;
H02K 11/33; H02K 9/06; H02K 9/12;
H02K 9/14; H02K 9/18; H02K 9/20;
H02K 7/1025; H02K 7/20918; H02K
3/24; H02K 3/47; F02B 63/04; F28D
15/0266; F28D 15/02; F28F 1/20; F16H
57/032; F16H 57/039; F16H 2057/0213;
F16H 2057/02082
See application file for complete search history.

(56) **References Cited**
U.S. PATENT DOCUMENTS

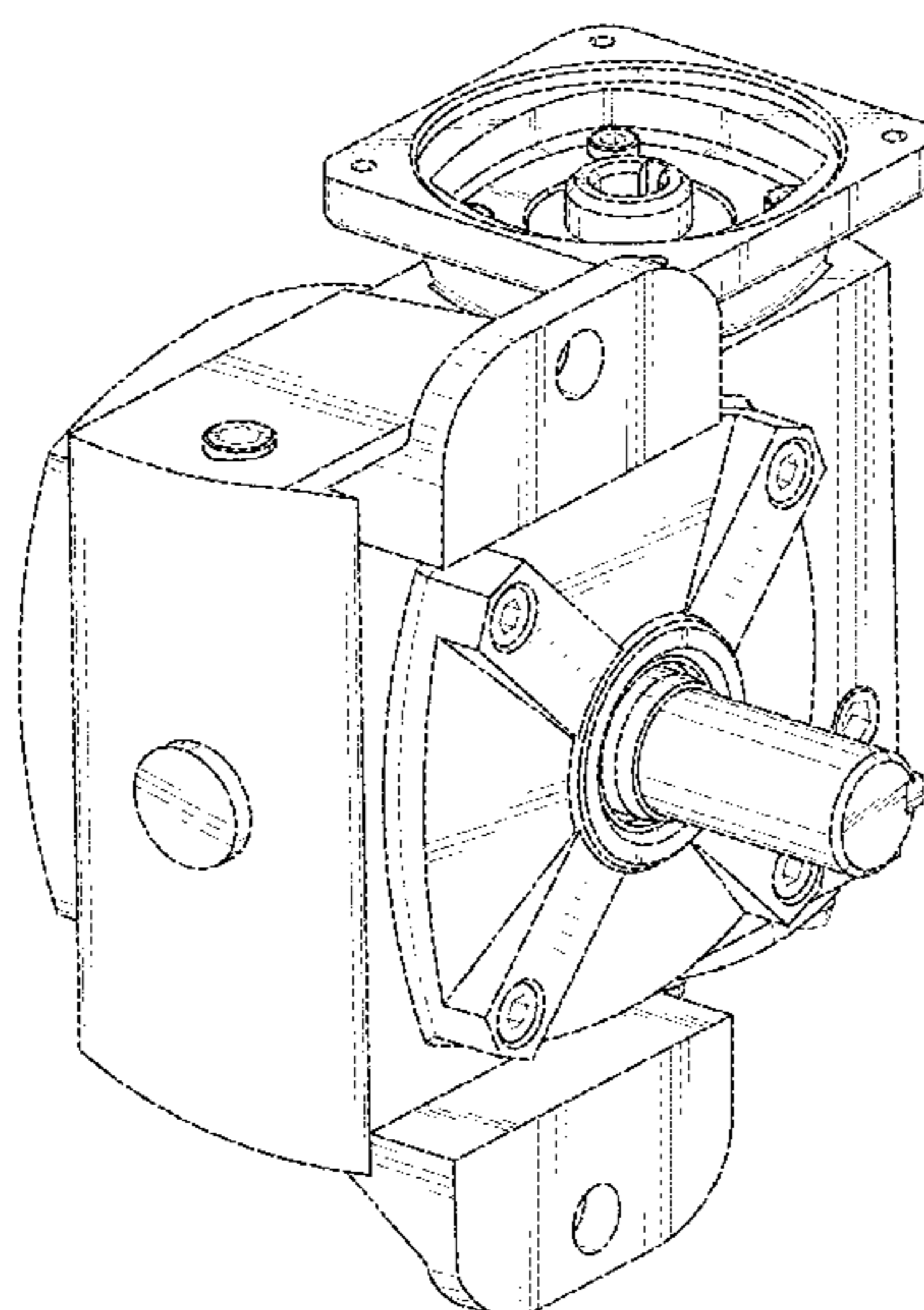
D244,204 S * 5/1977 Briggs D13/112
D348,075 S * 6/1994 Meyer D15/199

(57) **CLAIM**
The ornamental design for a gear box for a gate operator, as shown and described.

DESCRIPTION

FIG. 1 is a top view of a gear box for a gate operator showing the new design.
FIG. 2 is a bottom view of the gear box.
FIG. 3 is a front view of the gear box.
FIG. 4 is a rear view of the gear box.
FIG. 5 is a left side view of the gear box.
FIG. 6 is a right side view of the gear box.
FIG. 7 is a right side and front perspective view of the gear box for a gate operator.
FIG. 8 is a left side and front perspective view of the gear box for a gate operator.
FIG. 9 is a right side and rear perspective view of the gear box for a gate operator; and,
FIG. 10 is a left side and rear perspective view of the gear box for a gate operator.
The broken lines shown in the Figures are included to illustrate unclaimed portions of the gear box and form no part of the claimed design.

1 Claim, 10 Drawing Sheets



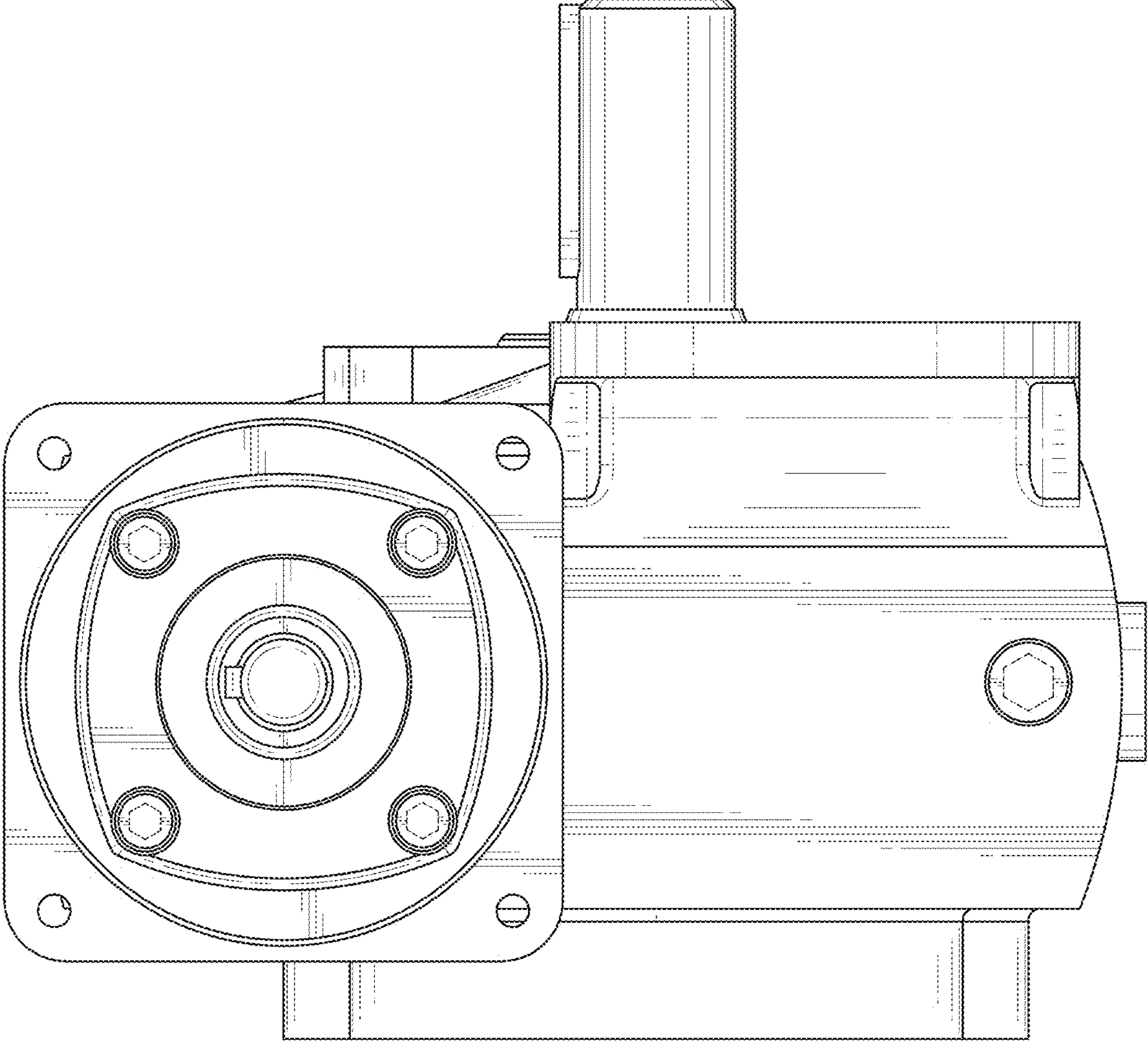


FIG. 1

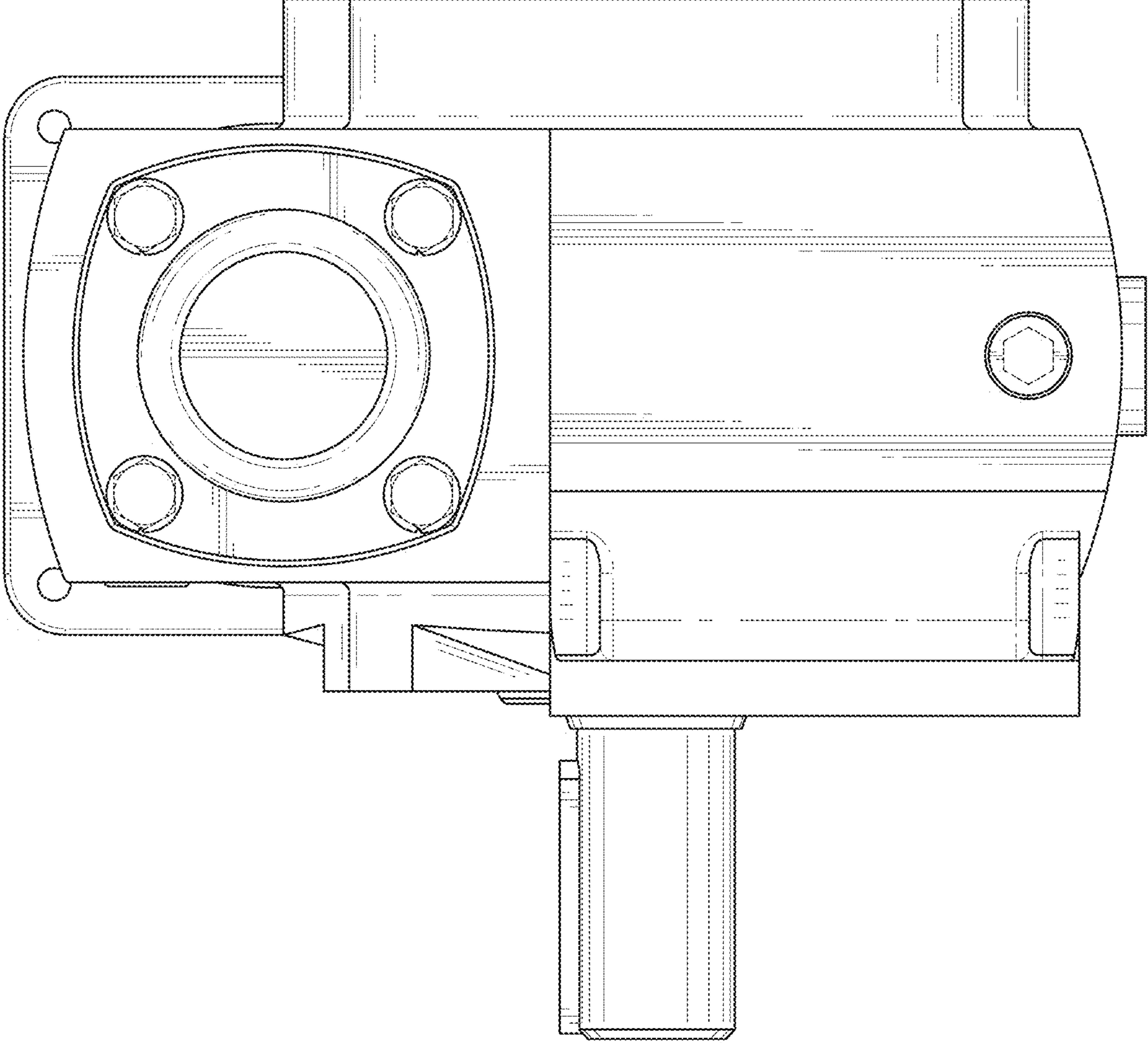


FIG. 2

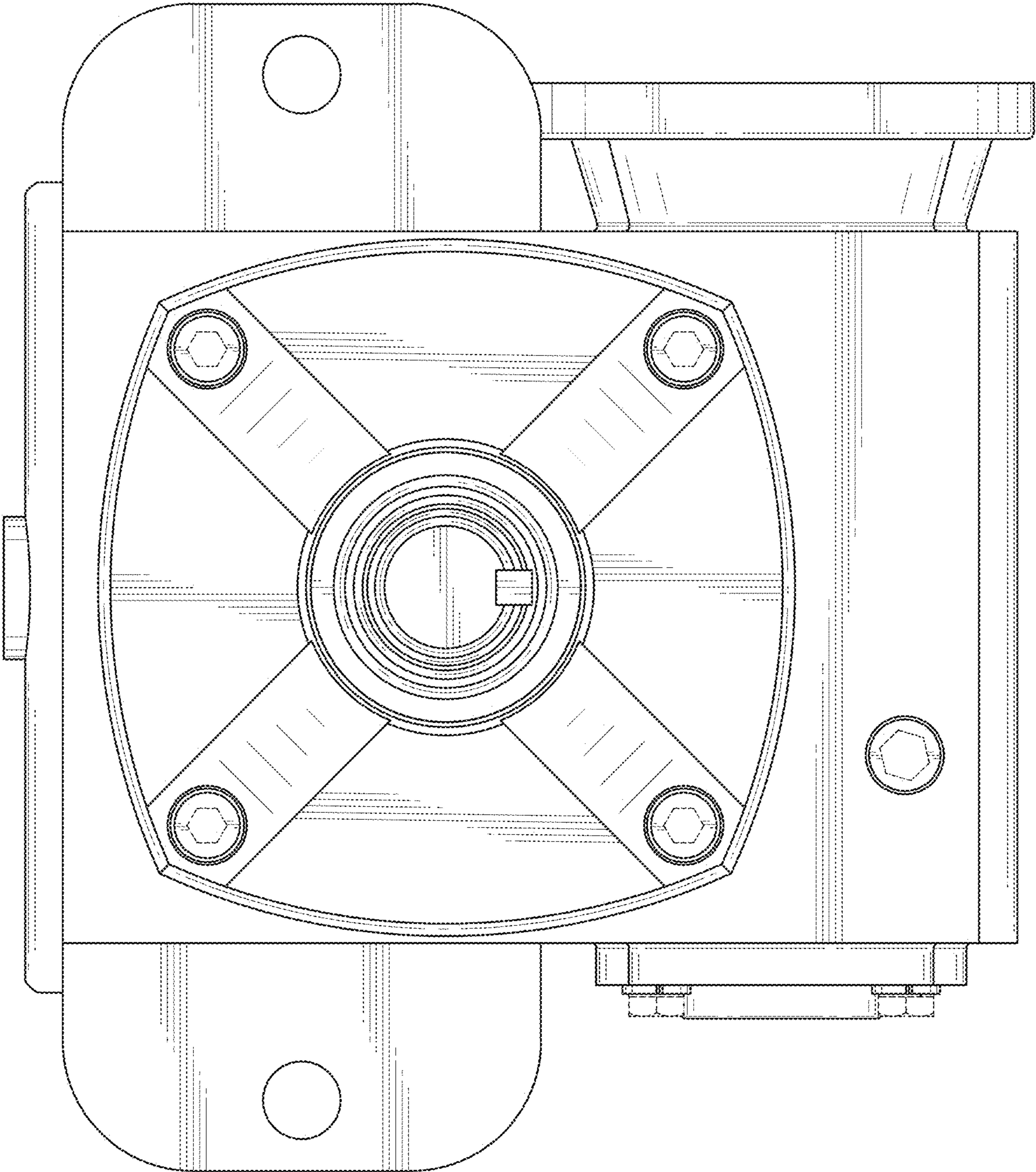


FIG. 3

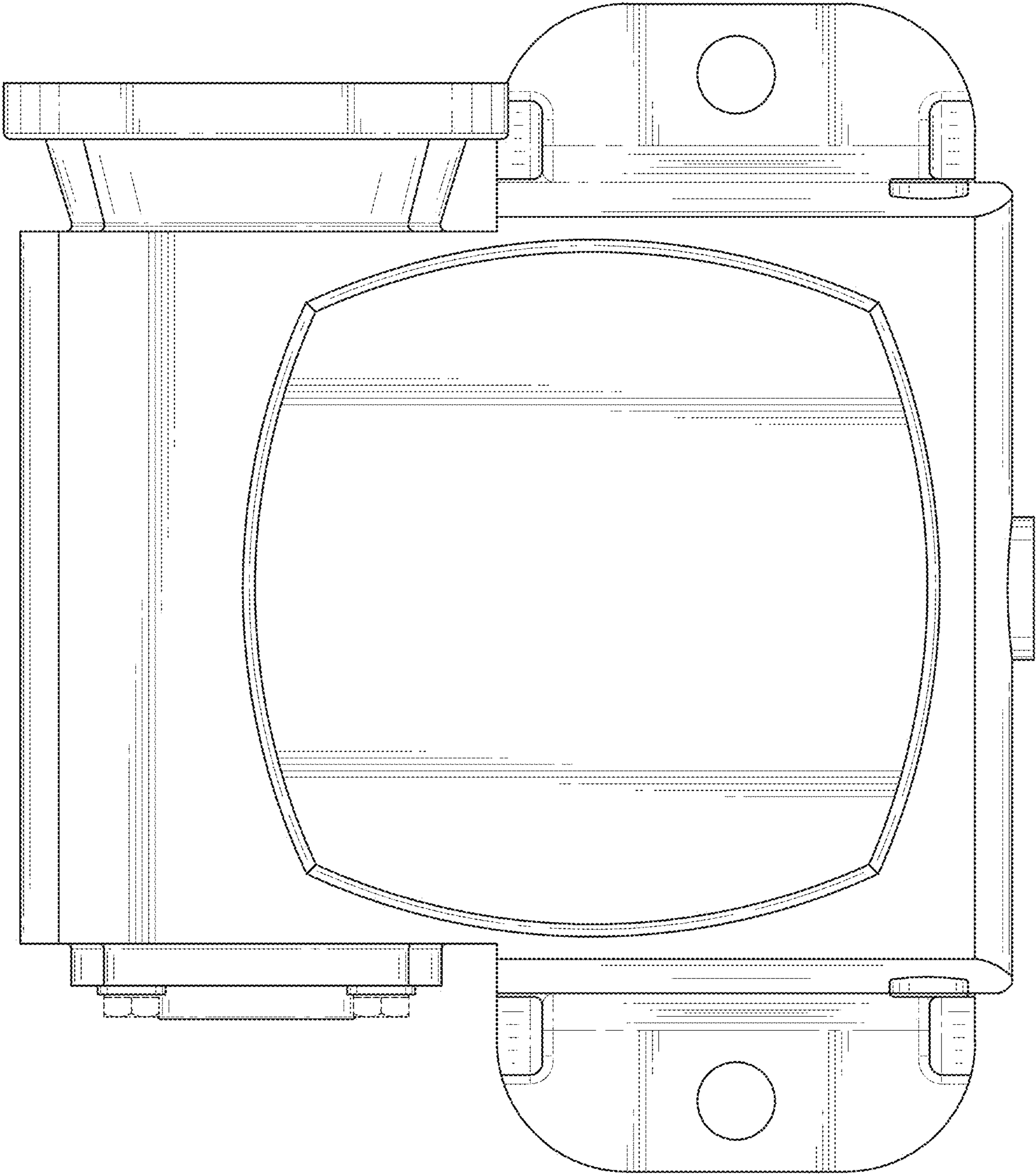


FIG. 4

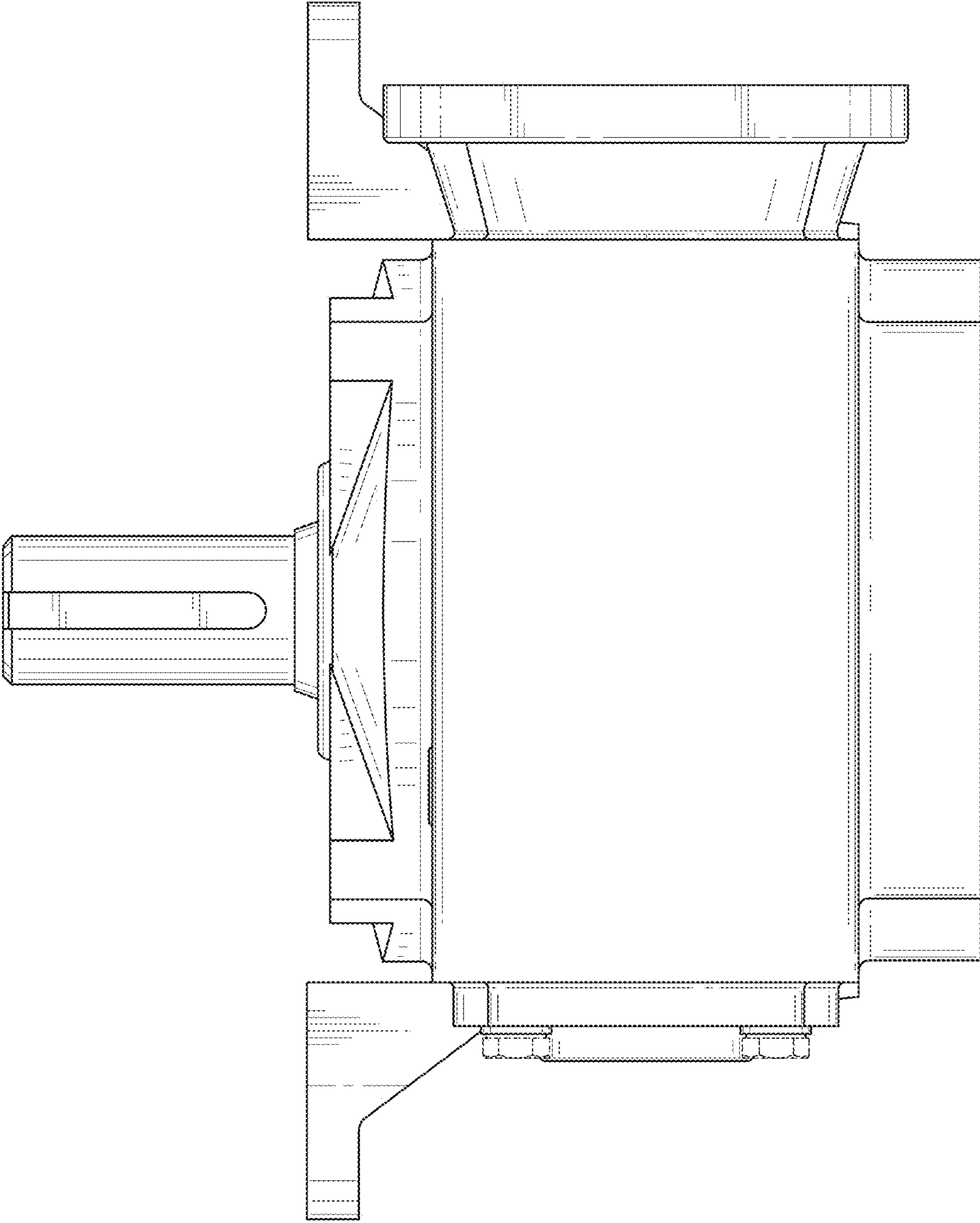


FIG. 5

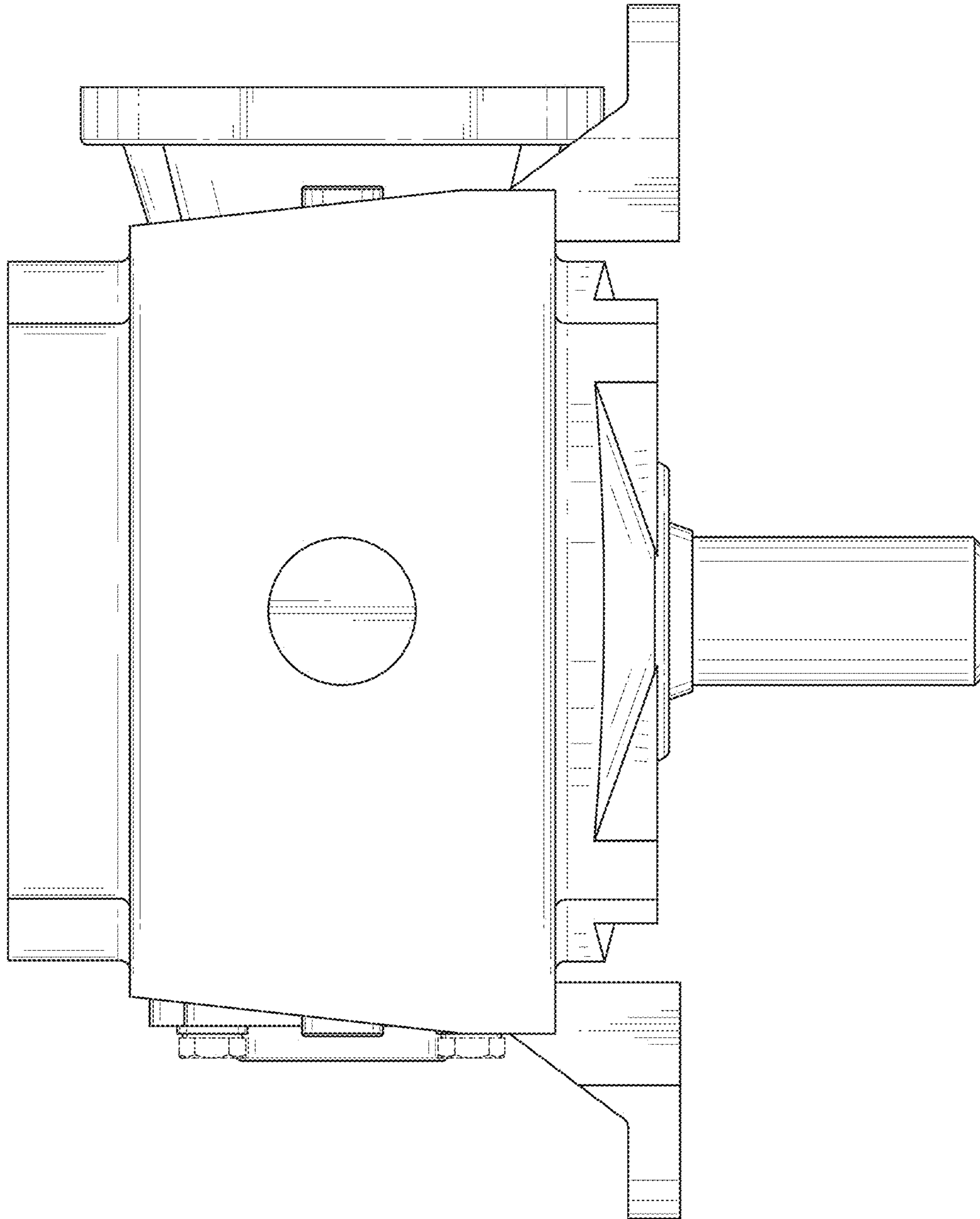


FIG. 6

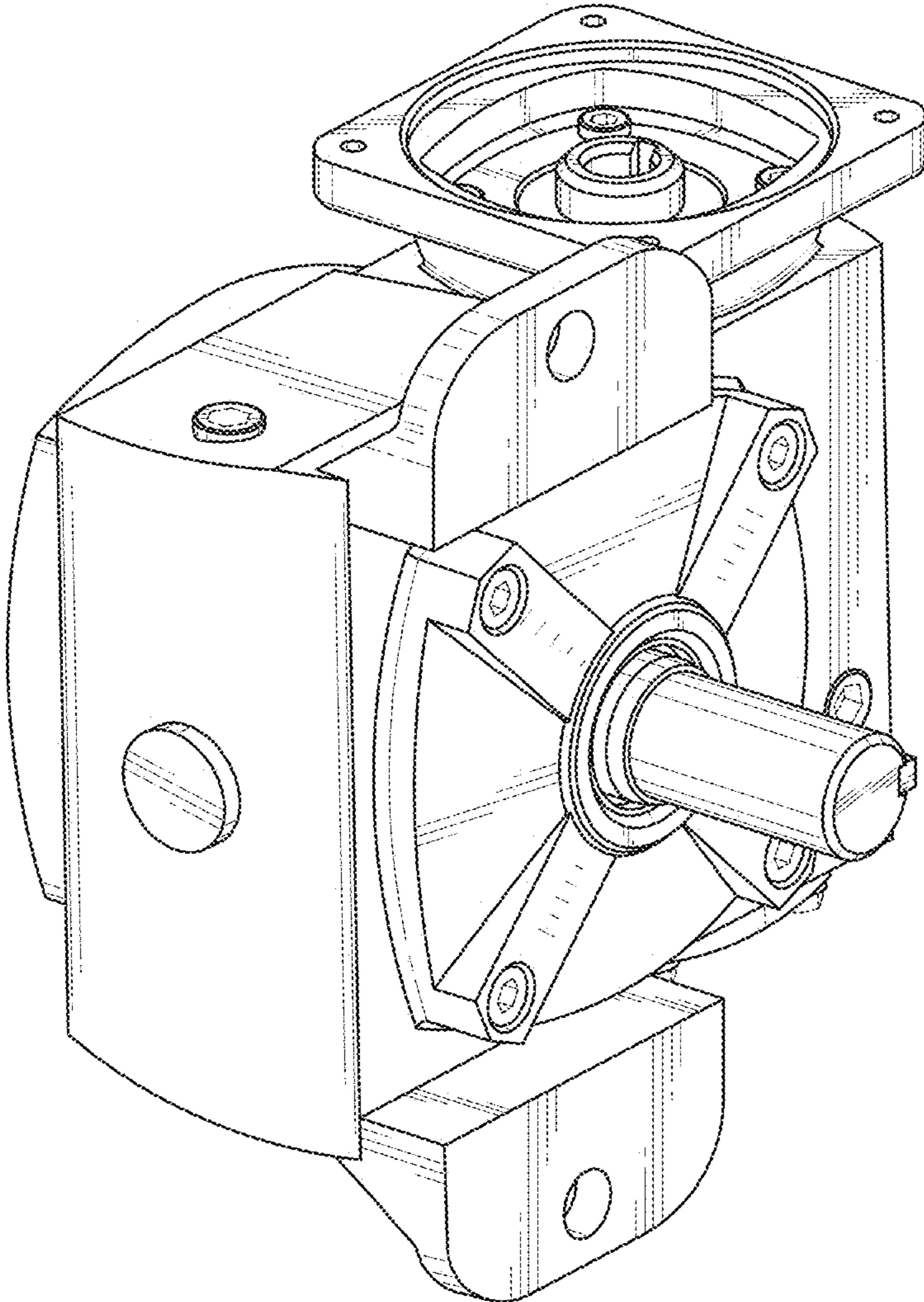


FIG. 7

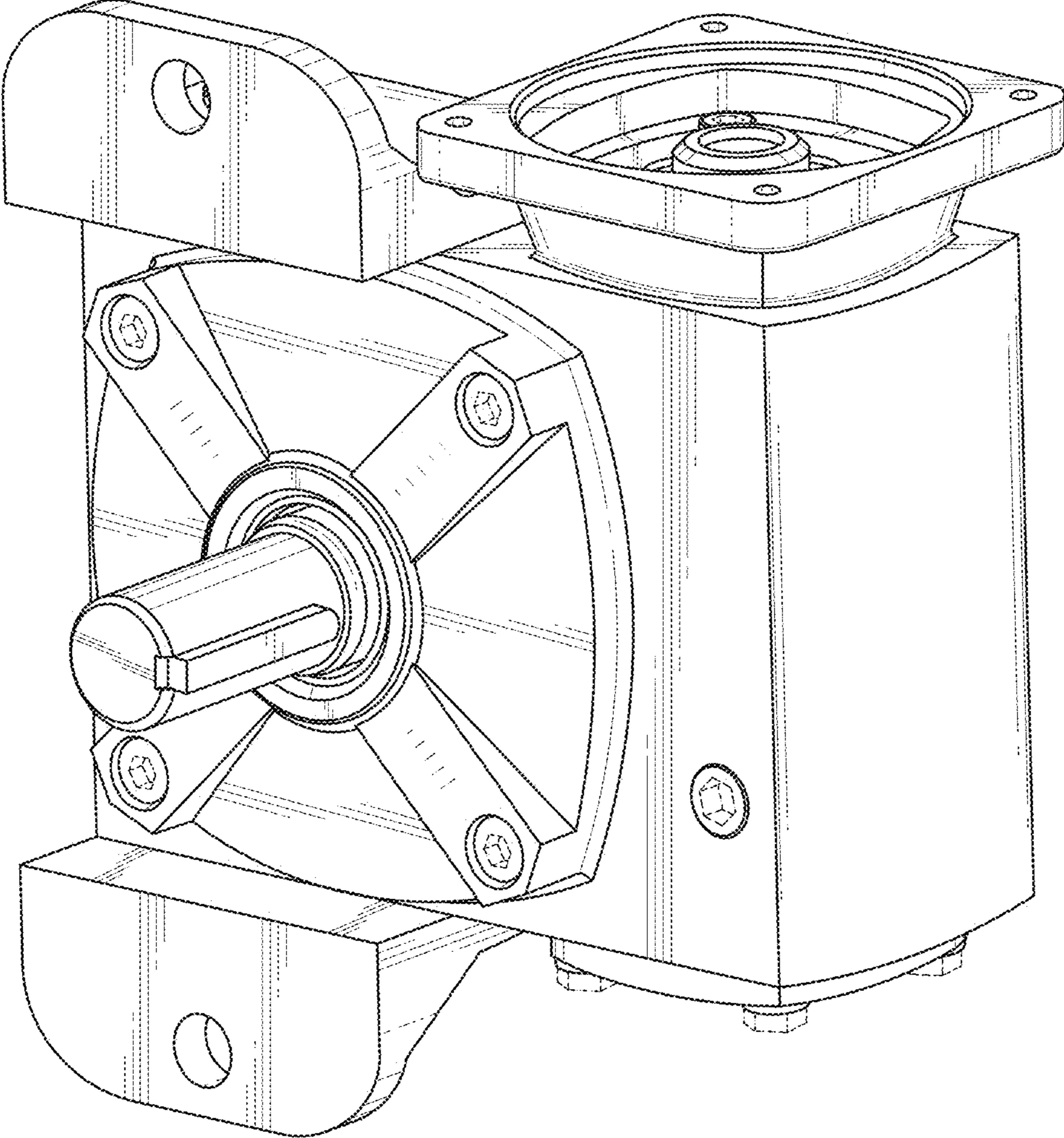


FIG. 8

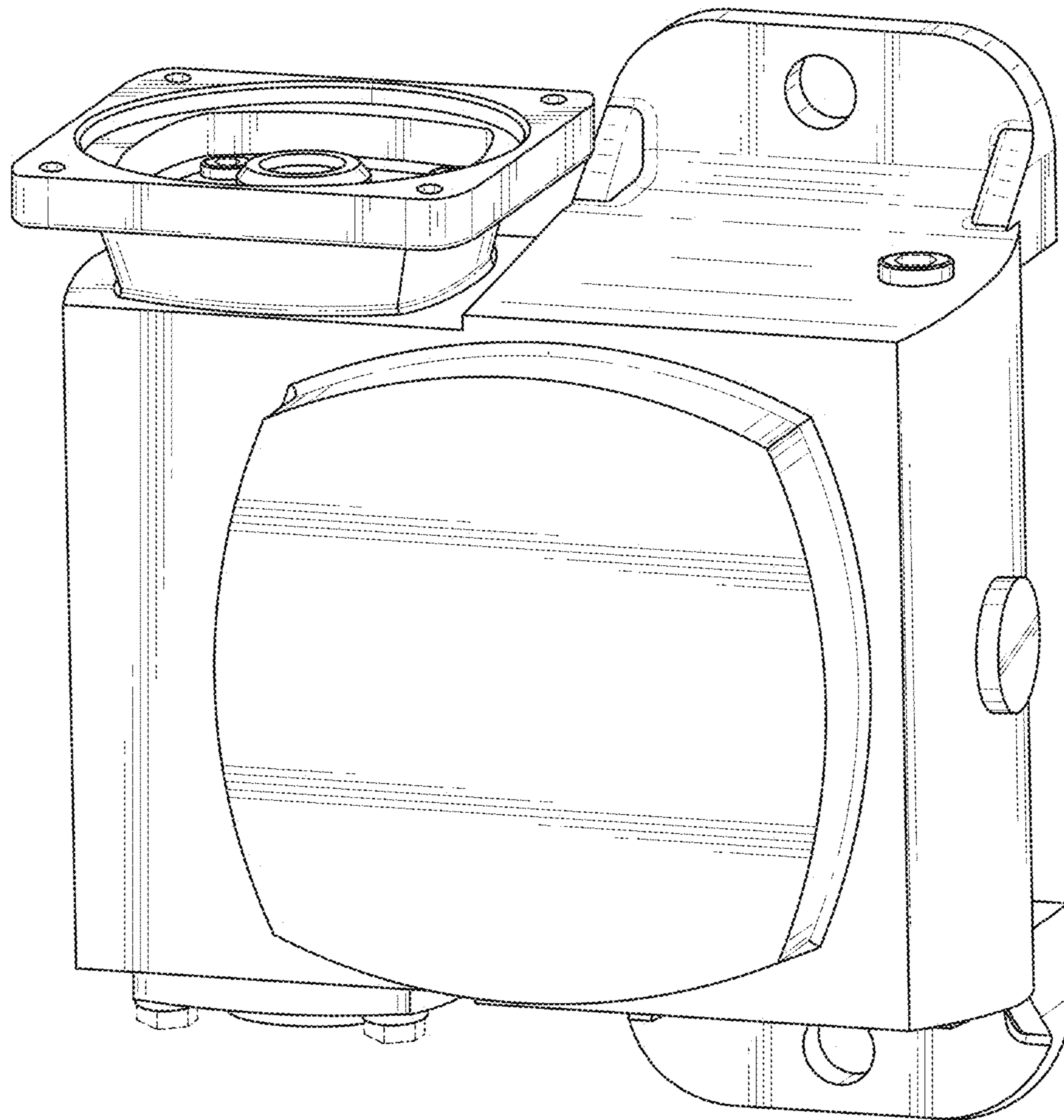


FIG. 9

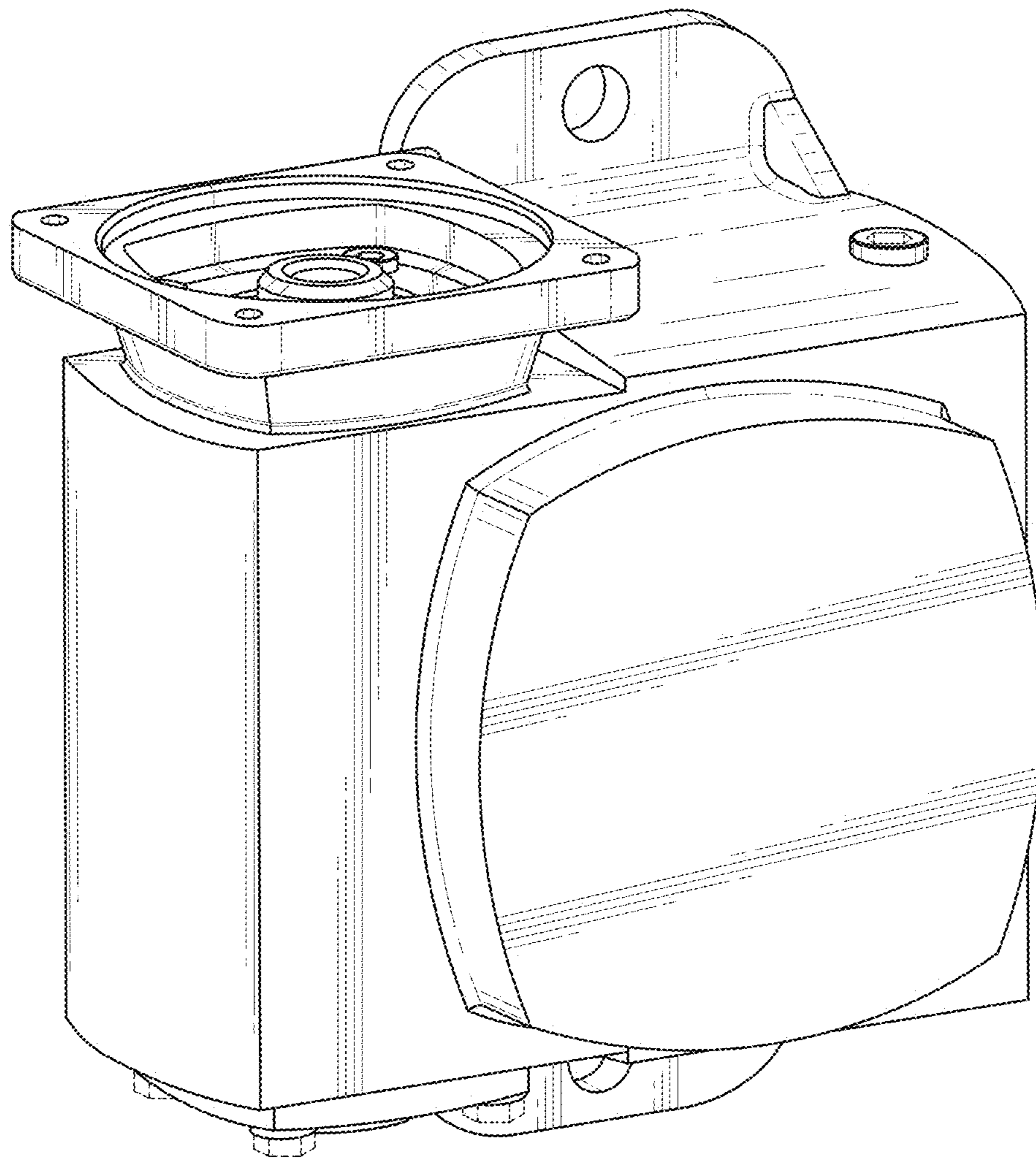


FIG. 10