



US00D986822S

(12) **United States Design Patent**  
**Wu**

(10) **Patent No.:** **US D986,822 S**

(45) **Date of Patent:** **\*\* May 23, 2023**

(54) **WIRELESS CHARGER**  
(71) Applicant: **Shenzhen Yize Innovation Technology Co., Ltd.**, Shenzhen (CN)

(72) Inventor: **Jinhong Wu**, Shenzhen (CN)

(\*\*) Term: **15 Years**

(21) Appl. No.: **29/883,646**

(22) Filed: **Feb. 1, 2023**

(51) **LOC (14) Cl.** ..... **13-02**

(52) **U.S. Cl.**  
USPC ..... **D13/108**; D14/433; D14/434

(58) **Field of Classification Search**  
USPC ..... D3/247; D10/104.1; D13/103, 107–108, D13/110, 118, 146, 168, 183–184, 199; D14/228, 248, 251, 253, 356, 358, 374, D14/385, 432, 433, 434, 448, 496; D22/108  
CPC ..... H02J 50/10; H02J 50/80; H02J 50/402; H02J 7/0044; H02J 7/02; H02J 7/34; H02J 7/342; H02J 2310/22; H04B 5/0037; G04G 19/00  
See application file for complete search history.

(56) **References Cited**

**U.S. PATENT DOCUMENTS**

D673,110	S	*	12/2012	Sasada	.....	D13/108
D725,034	S	*	3/2015	Chen	.....	D13/108
D798,807	S	*	10/2017	Shi	.....	D13/108
D850,367	S	*	6/2019	Xiong	.....	D14/434
10,367,367	B1	*	7/2019	Jacobs	.....	H02J 50/10
D900,027	S	*	10/2020	Reilly	.....	D13/108
D908,620	S	*	1/2021	Akana	.....	D13/108
D936,576	S	*	11/2021	Joung	.....	D13/108

D946,052	S	*	3/2022	Olsson	.....	D14/496
D958,072	S		7/2022	Yang		
D969,071	S		11/2022	Yang		
D969,077	S	*	11/2022	Lin	.....	D13/108
D971,836	S	*	12/2022	Xian	.....	D13/108
2021/0167624	A1	*	6/2021	Su	.....	H02J 7/02
2022/0045549	A1	*	2/2022	Gu	.....	H04B 5/0037

\* cited by examiner

*Primary Examiner* — Shawn T Gingrich

*Assistant Examiner* — Bryan N. Melvin

(74) *Attorney, Agent, or Firm* — Daniel M. Cohn;  
Howard M. Cohn

(57) **CLAIM**

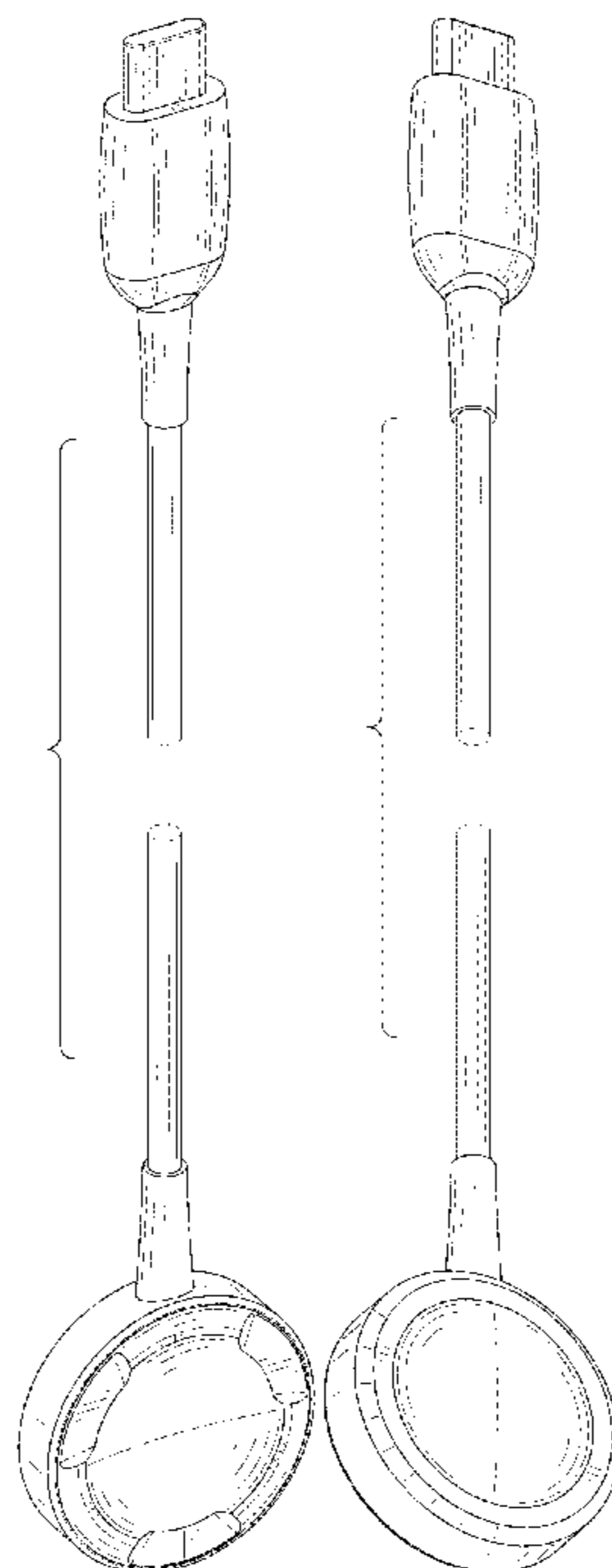
The ornamental design for a wireless charger, as shown and described.

**DESCRIPTION**

FIG. 1 is a perspective view of a wireless charger showing my new design;  
FIG. 2 is another perspective view thereof;  
FIG. 3 is a front elevational view thereof;  
FIG. 4 is a rear elevational view thereof;  
FIG. 5 is a left side elevational view thereof;  
FIG. 6 is a right side elevational view thereof;  
FIG. 7 is a top plan view thereof; and  
FIG. 8 is a bottom plan view thereof; and,  
FIG. 9 is a front perspective view of a second embodiment. The dash-dash broken lines in the drawings depict portions of the wireless charger that form no part of the claimed design.

The wireless charger is shown with symbolic breaks in its length, represented by break lines. The appearance of any portion of the article between the break lines forms no part of the claimed design.

**1 Claim, 9 Drawing Sheets**



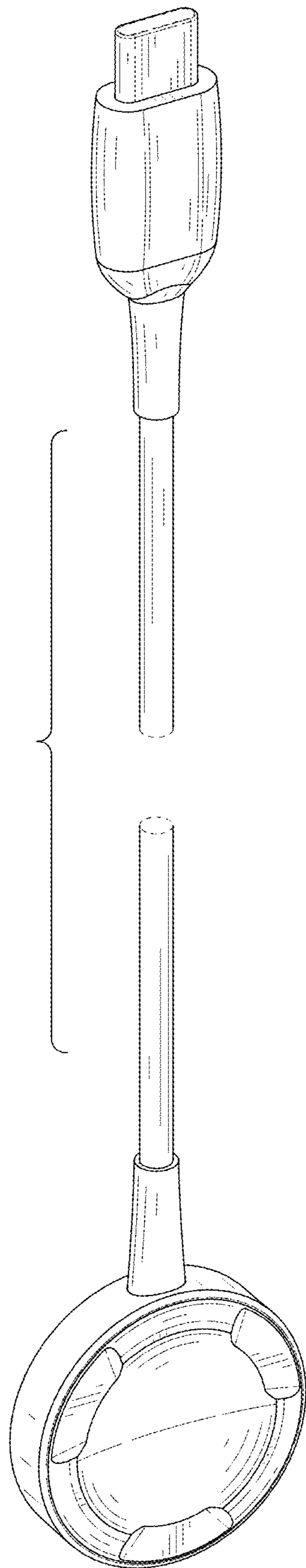


FIG. 1

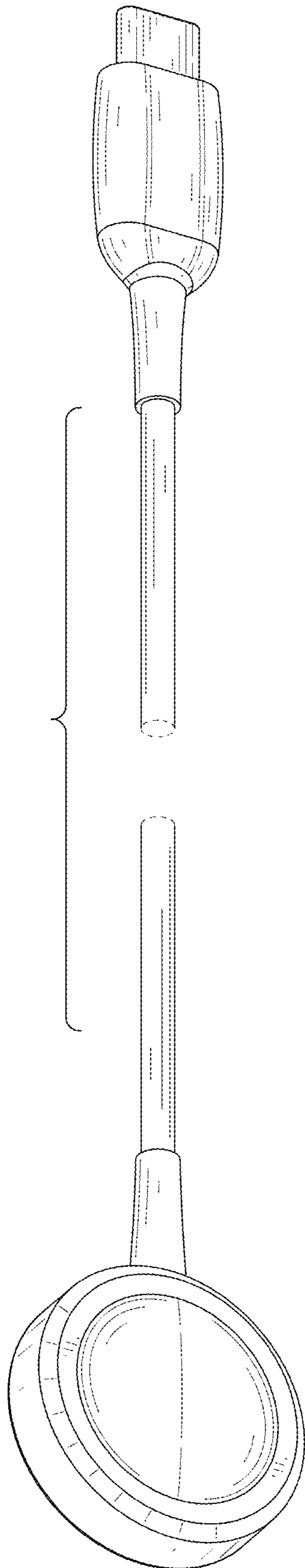


FIG. 2

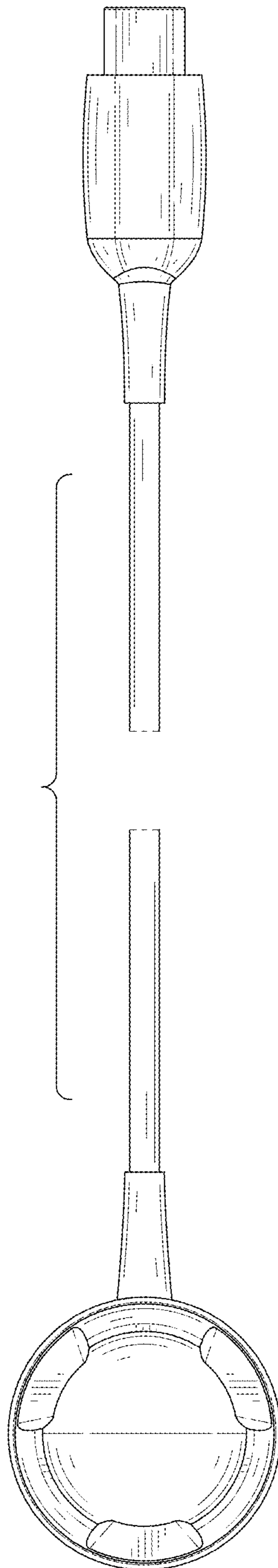


FIG. 3

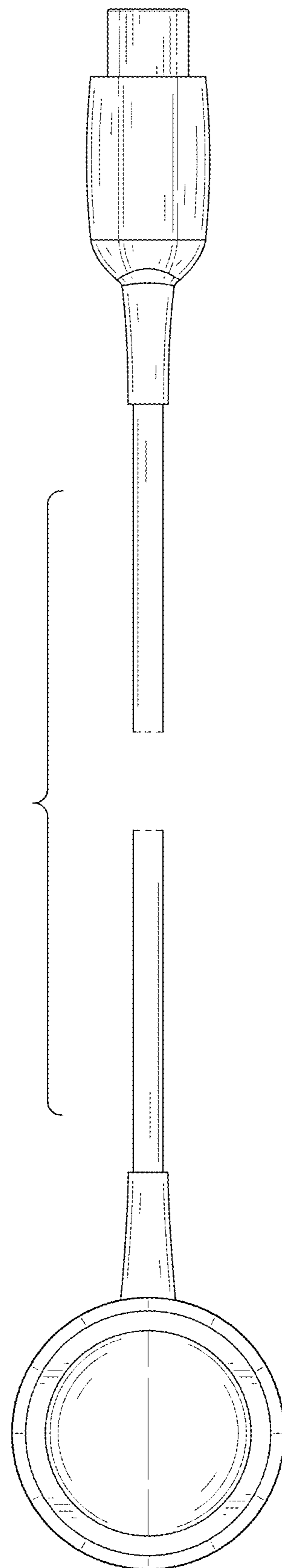


FIG. 4

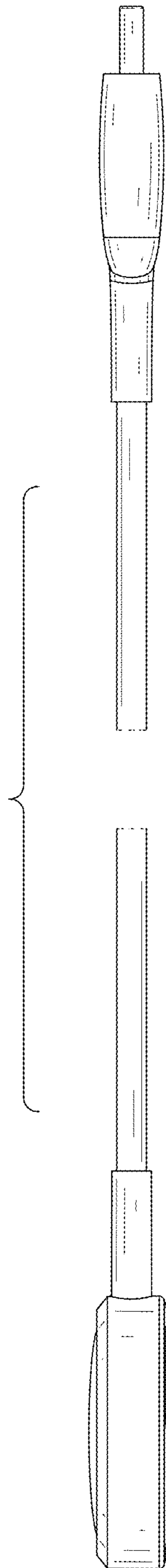


FIG. 5

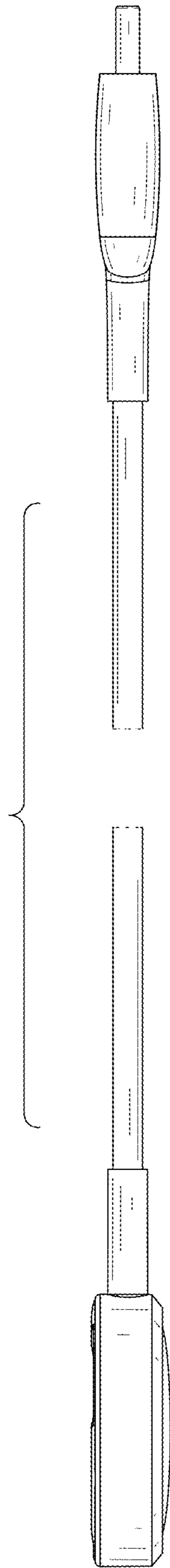


FIG. 6

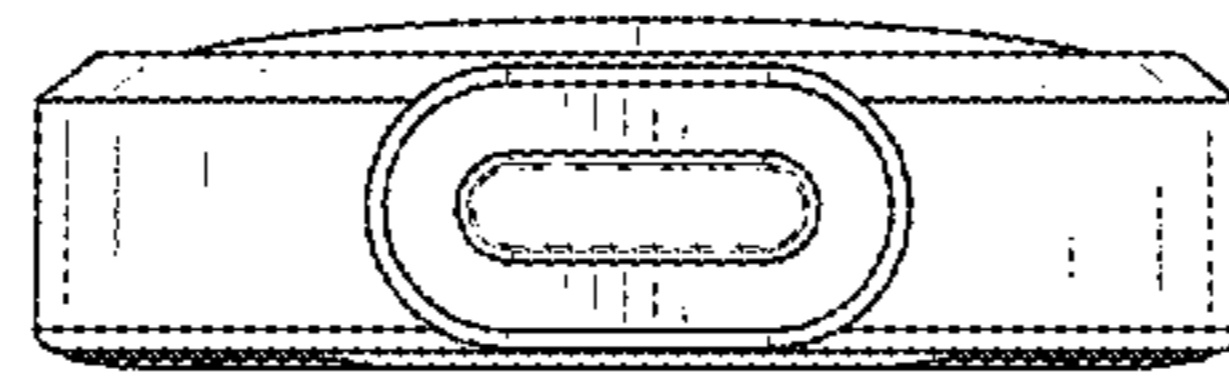


FIG. 7



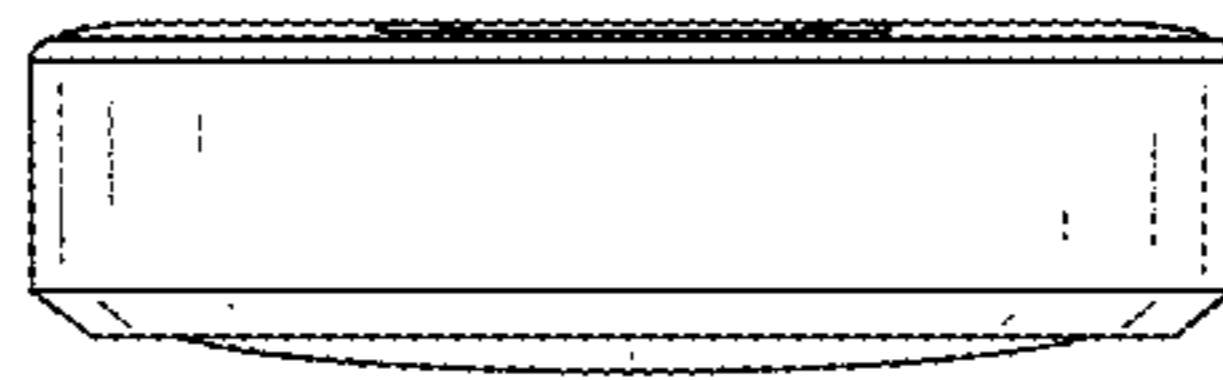


FIG. 8

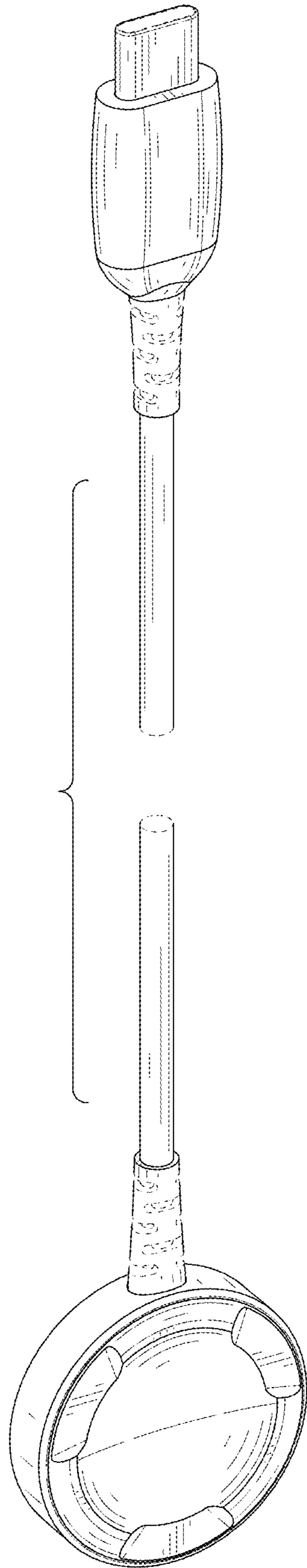


FIG. 9